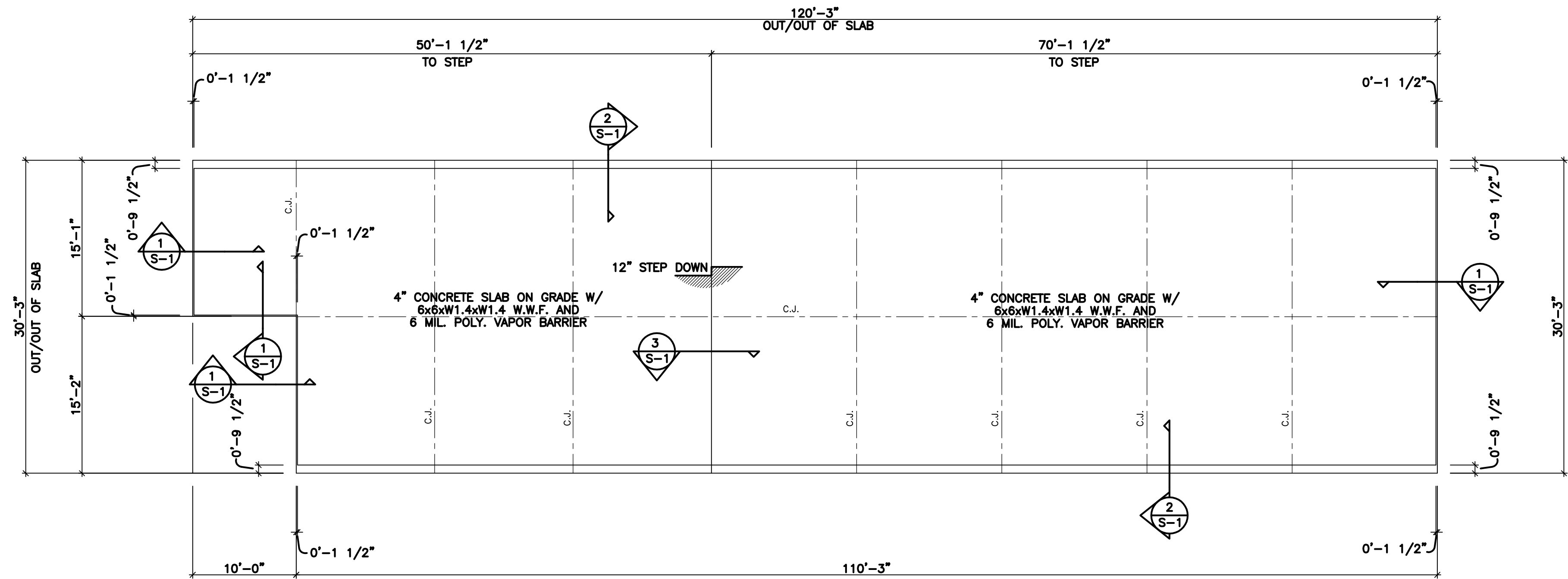
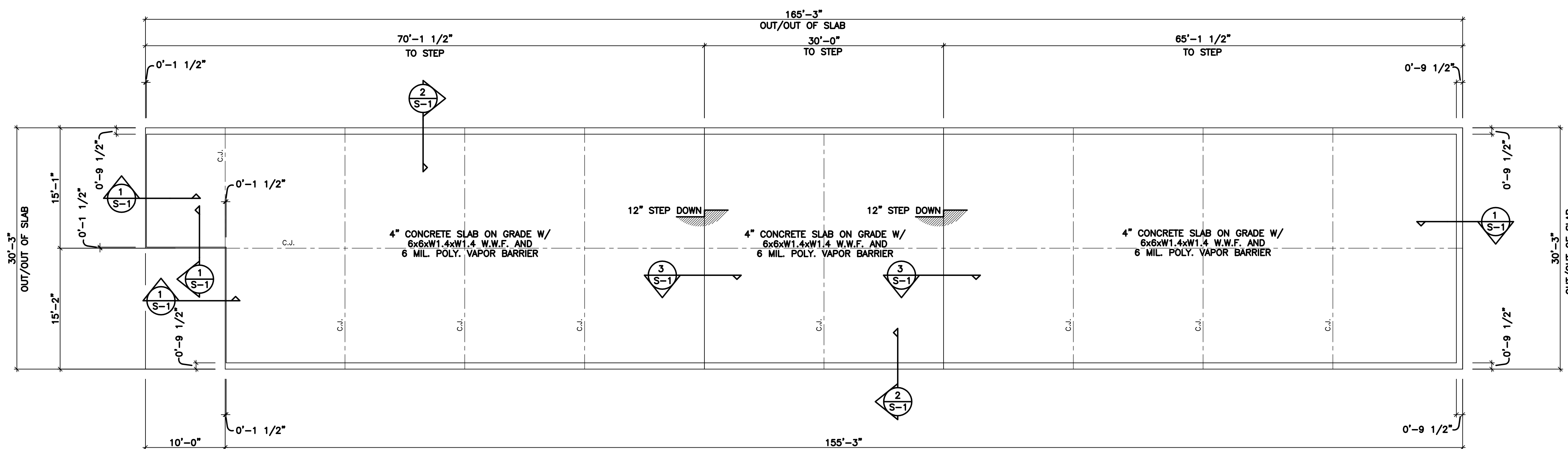


### GENERAL NOTES

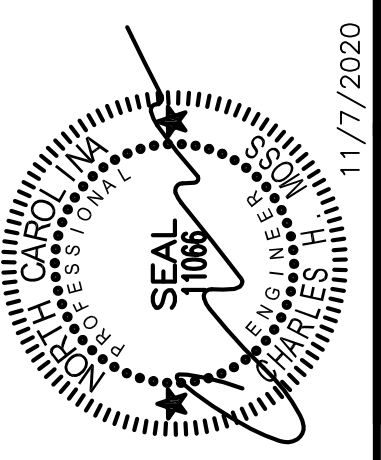
- CONTRACTOR SHALL BE RESPONSIBLE FOR BRACING ALL WORK DURING CONSTRUCTION.
- FOOTINGS ARE DESIGNED FOR AN ALLOWABLE BEARING CAPACITY OF 2000 P.S.F.
- CONCRETE SHALL HAVE A MINIMUM 28 DAY COMPRESSIVE STRENGTH OF 3000 P.S.I. WITH A 4" MAXIMUM SLUMP. DETAILS NOT SHOWN SHALL BE ACCORDING TO ACI 318 AND ACI 301 SPECIFICATIONS FOR CONCRETE CONSTRUCTION
  - REINFORCING STEEL SHALL BE ASTM A-615 GRADE 60 (TIES MAY BE GRADE 40)
  - W.W.F. SHALL BE ASTM A-185
  - MINIMUM LAP: #4 - 28"
  - #5 - 32"
  - MINIMUM COVER: 3" U.N.O.
- C.J. ON PLANS INDICATE CONTROL JOINT 1/8" x 1" DEEP SAWN WITHIN 24 HOURS AFTER PLACING CONCRETE. METAL JOINT MATERIAL MAY BE USED.
- FOUNDATION BASED ON REACTIONS FURNISHED BY PEAK STEEL BUILDINGS DRAWING NO. RD080A20, DATED 11/4/2020.



**FOUNDATION PLAN - BLDG A**  
SCALE: 1/8" = 1'-0"



**FOUNDATION PLAN - BLDG B**  
SCALE: 1/8" = 1'-0"



**C.H. MOSS, P.E.**  
SOLE PROPRIETOR  
P.O. BOX 28  
COVINGTON, GA 30015  
PH: (770) 786-3163

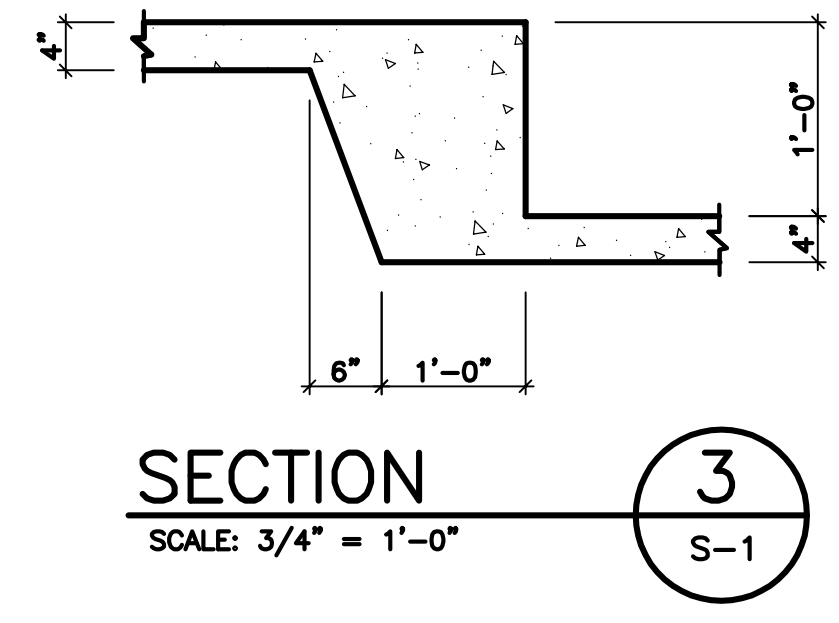
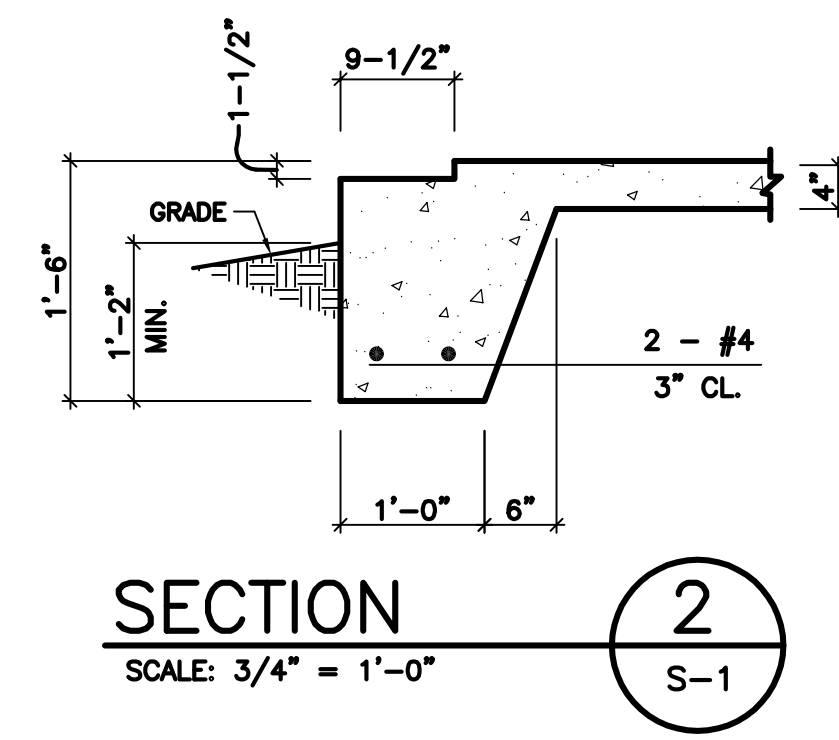
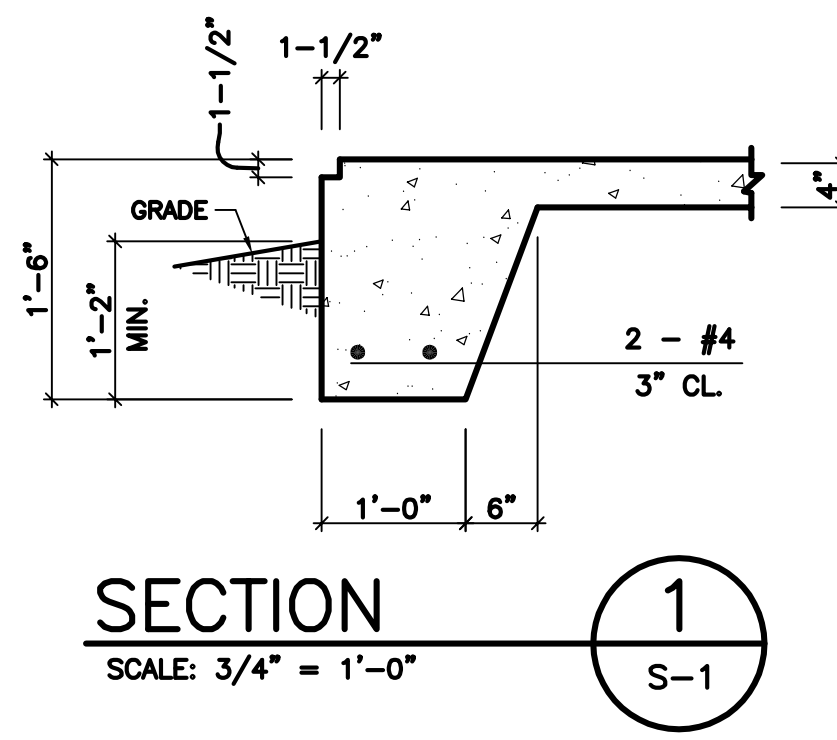
| NO | DATE | REVISION | BY |
|----|------|----------|----|
| 1  |      |          |    |
| 2  |      |          |    |
| 3  |      |          |    |
| 4  |      |          |    |
| 5  |      |          |    |

|                        |              |              |
|------------------------|--------------|--------------|
| JOB NO. RD080A20       | COMPUTED BY: | NR           |
| DRAWN BY:              | CHECKED BY:  | HM           |
| DATE: NOVEMBER 7, 2020 | SCALE:       | 1/8" = 1'-0" |

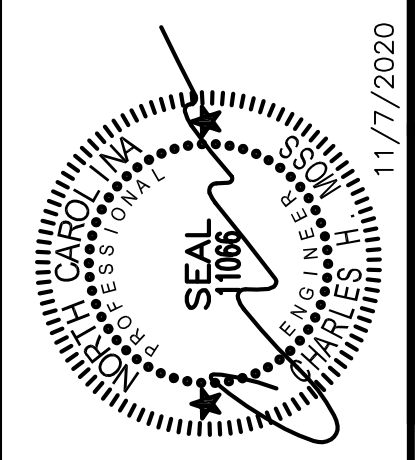
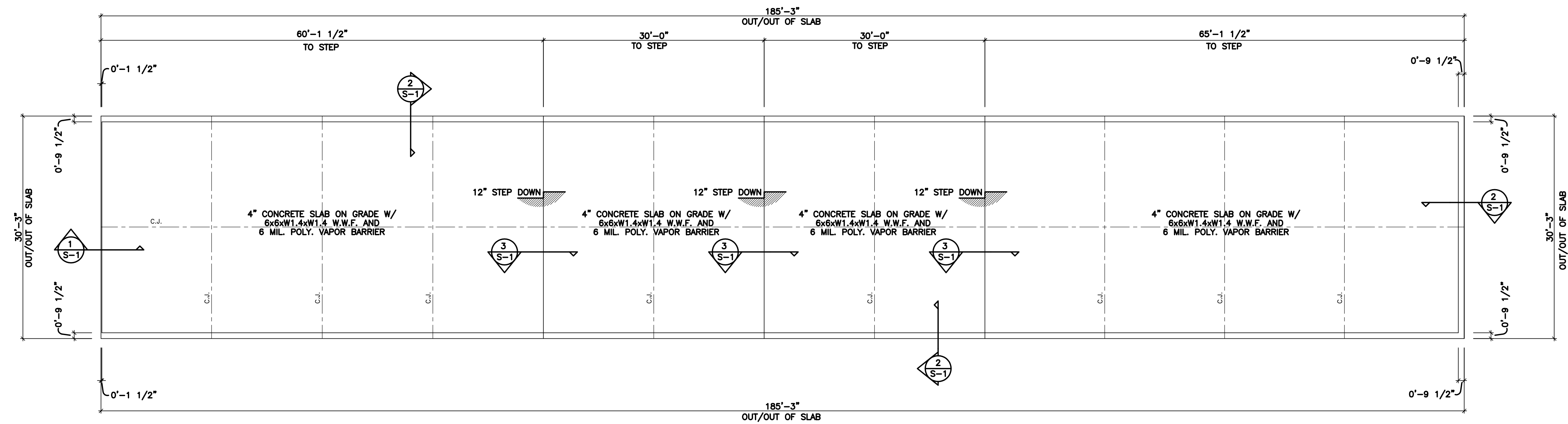
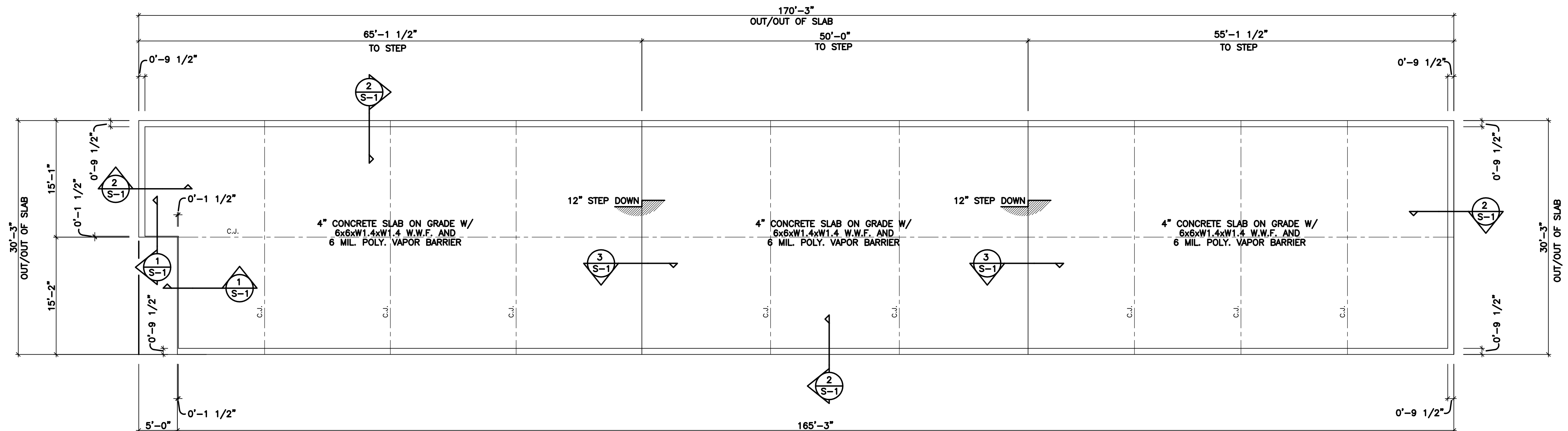
FOUNDATION PLAN FOR:  
**PINEY GROVE STORAGE**  
FUGQUAY VARINA, NC

|                |     |
|----------------|-----|
| DRAWING NUMBER |     |
| 2364           |     |
| SHEET          | OF: |
| S-1            | 3   |



**GENERAL NOTES**

- CONTRACTOR SHALL BE RESPONSIBLE FOR BRACING ALL WORK DURING CONSTRUCTION.
- FOOTINGS ARE DESIGNED FOR AN ALLOWABLE BEARING CAPACITY OF 2000 P.S.F.
- CONCRETE SHALL HAVE A MINIMUM 28 DAY COMPRESSIVE STRENGTH OF 3000 P.S.I. WITH A 4" MAXIMUM SLUMP. DETAILS NOT SHOWN SHALL BE ACCORDING TO ACI 318 AND ACI 301 SPECIFICATIONS FOR CONCRETE CONSTRUCTION.
  - REINFORCING STEEL SHALL BE ASTM A-615 GRADE 60 (TIES MAY BE GRADE 40)
  - W.W.F. SHALL BE ASTM A-185
  - MINIMUM LAP: #4 - 28"
  - #5 - 32"
  - MINIMUM COVER: 3" U.N.O.
- C.J. ON PLANS INDICATE CONTROL JOINT 1/8" x 1" DEEP SAWN WITHIN 24 HOURS AFTER PLACING CONCRETE. METAL JOINT MATERIAL MAY BE USED.
- FOUNDATION BASED ON REACTIONS FURNISHED BY PEAK STEEL BUILDINGS DRAWING NO. RD080A20, DATED 11/4/2020.



**C.H. MOSS, P.E.**  
SOLE PROPRIETOR  
P.O. BOX 28  
COVINGTON, GA 30015  
PH: (770) 786-3163

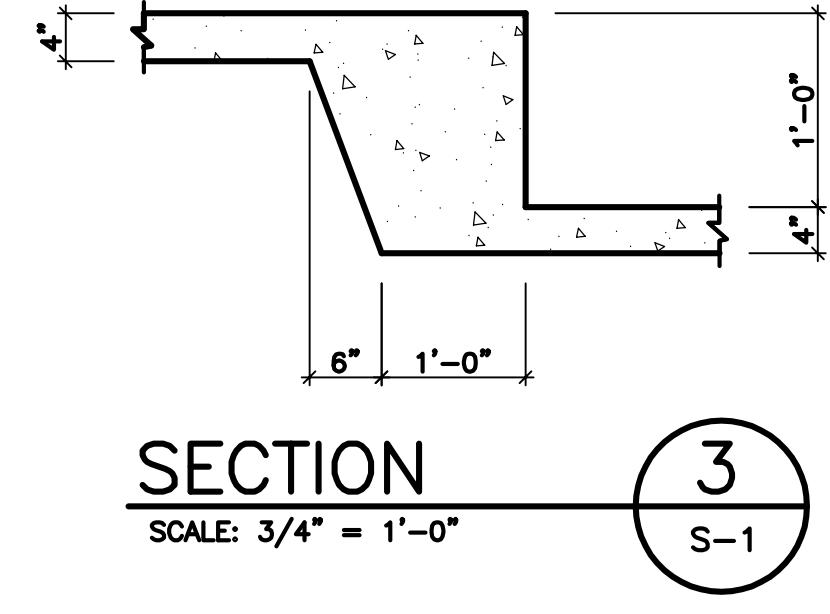
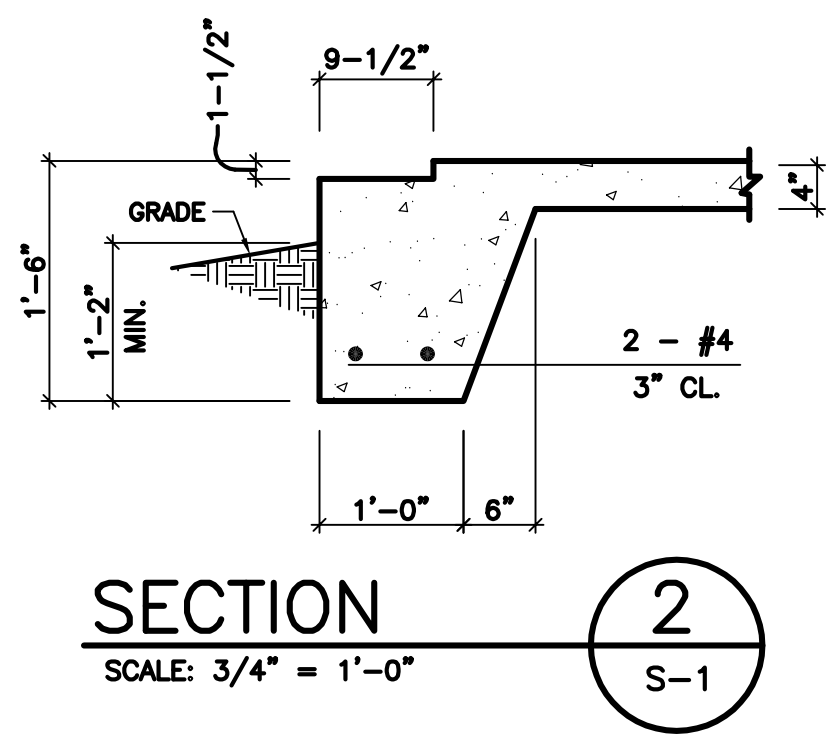
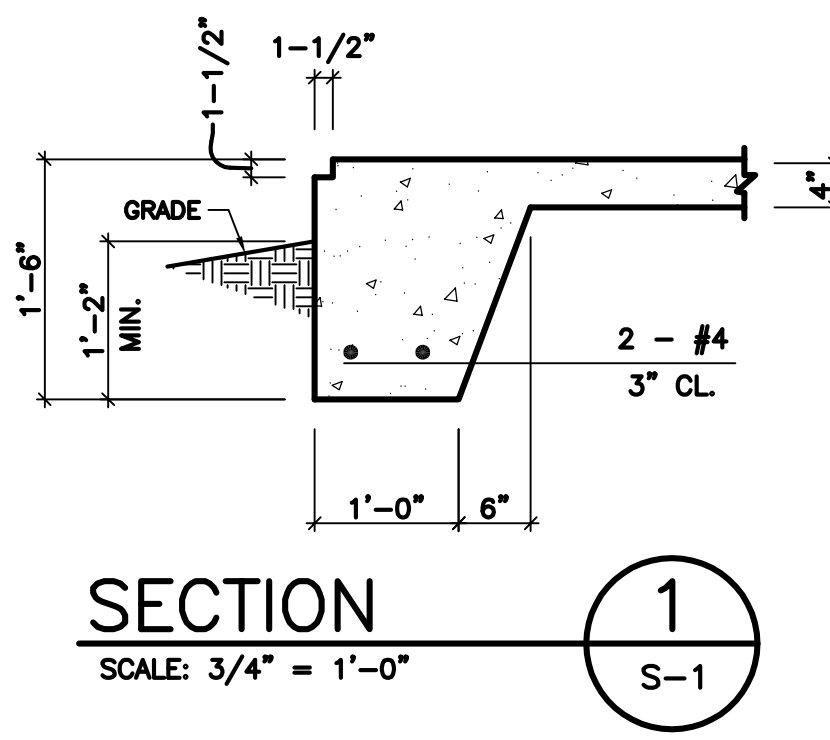
| NO | DATE | REVISION | BY |
|----|------|----------|----|
| 1  |      |          |    |
| 2  |      |          |    |
| 3  |      |          |    |
| 4  |      |          |    |
| 5  |      |          |    |

|                        |              |              |
|------------------------|--------------|--------------|
| JOB NO. RD080A20       | COMPUTED BY: | NR           |
| DRAWN BY:              | CHECKED BY:  | HM           |
| DATE: NOVEMBER 7, 2020 | SCALE:       | 1/8" = 1'-0" |

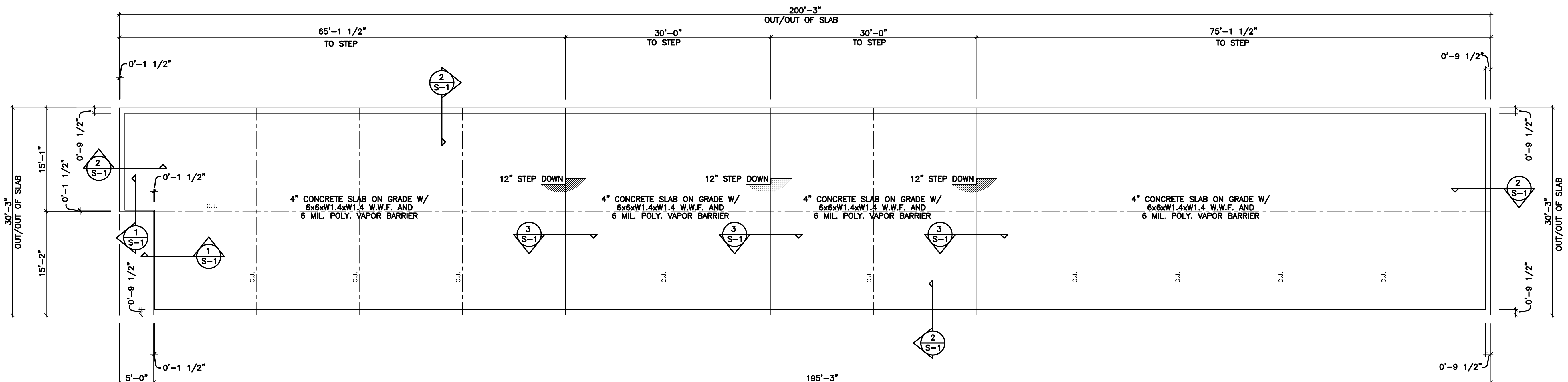
FOUNDATION PLAN FOR:  
**PINEY GROVE STORAGE**  
FUGQUAY VARINA, NC

|                |     |
|----------------|-----|
| DRAWING NUMBER |     |
| 2364           |     |
| SHEET          | OF: |
| S-2            | 3   |

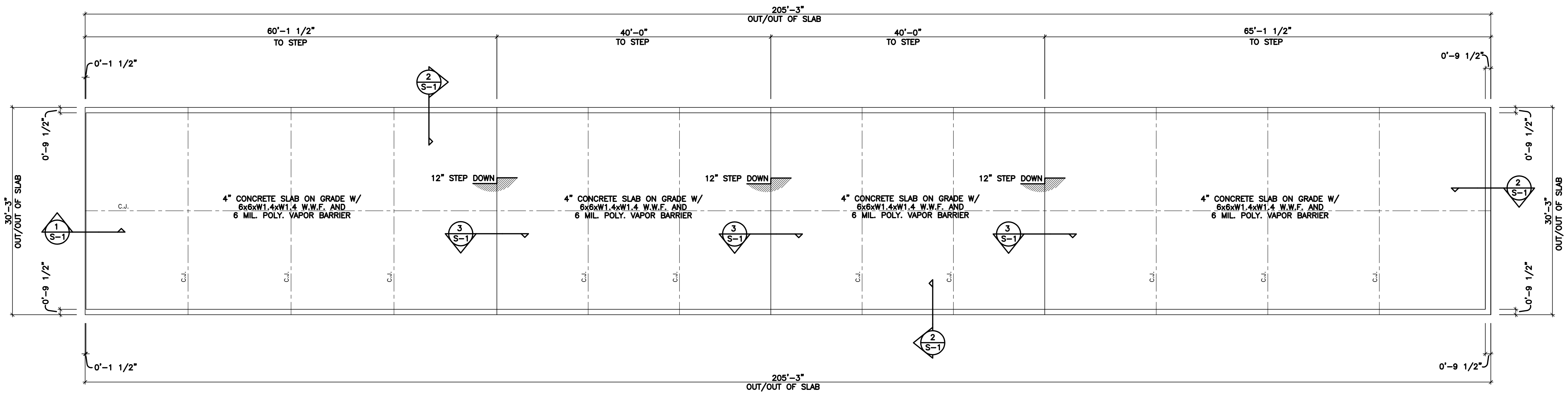


**GENERAL NOTES**

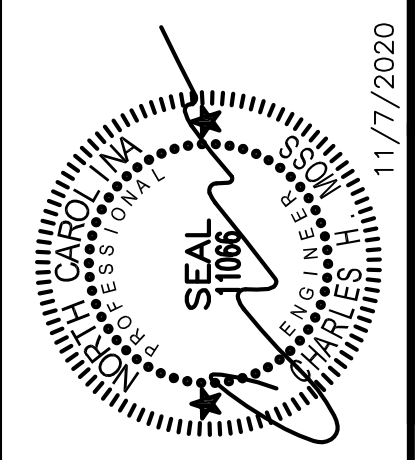
1. CONTRACTOR SHALL BE RESPONSIBLE FOR BRACING ALL WORK DURING CONSTRUCTION.
2. FOOTINGS ARE DESIGNED FOR AN ALLOWABLE BEARING CAPACITY OF 2000 P.S.F.
3. CONCRETE SHALL HAVE A MINIMUM 28 DAY COMPRESSIVE STRENGTH OF 3000 P.S.I. WITH A 4" MAXIMUM SLUMP. DETAILS NOT SHOWN SHALL BE ACCORDING TO ACI 318 AND ACI 301 SPECIFICATIONS FOR CONCRETE CONSTRUCTION.
  - REINFORCING STEEL SHALL BE ASTM A-615 GRADE 60 (TIES MAY BE GRADE 40)
  - W.W.F. SHALL BE ASTM A-185
  - MINIMUM LAP: #4 - 28"
  - #5 - 32"
  - MINIMUM COVER: 3" U.N.O.
4. C.J. ON PLANS INDICATE CONTROL JOINT 1/8" x 1" DEEP SAWN WITHIN 24 HOURS AFTER PLACING CONCRETE. METAL JOINT MATERIAL MAY BE USED.
5. FOUNDATION BASED ON REACTIONS FURNISHED BY PEAK STEEL BUILDINGS DRAWING NO. RD080A20, DATED 11/4/2020.



**FOUNDATION PLAN - BLDG E**  
SCALE: 1/8" = 1'-0"



**FOUNDATION PLAN - BLDG F**  
SCALE: 1/8" = 1'-0"



**C.H. MOSS, P.E.**  
SOLE PROPRIETOR  
P.O. BOX 28  
COVINGTON, GA 30015  
PH: (770) 786-3163

| NO | DATE | REVISION | BY |
|----|------|----------|----|
| 1  |      |          |    |
| 2  |      |          |    |
| 3  |      |          |    |
| 4  |      |          |    |
| 5  |      |          |    |

|                        |                     |    |
|------------------------|---------------------|----|
| JOB NO. RD080A20       | COMPUTED BY:        | NR |
| DRAWN BY:              | CHECKED BY:         | HM |
| DATE: NOVEMBER 7, 2020 | SCALE: 1/8" = 1'-0" |    |

FOUNDATION PLAN FOR:  
**PINEY GROVE STORAGE**  
FUGQUAY VARINA, NC

|                |     |
|----------------|-----|
| DRAWING NUMBER |     |
| 2364           |     |
| SHEET          | OF: |
| S-3            | 3   |