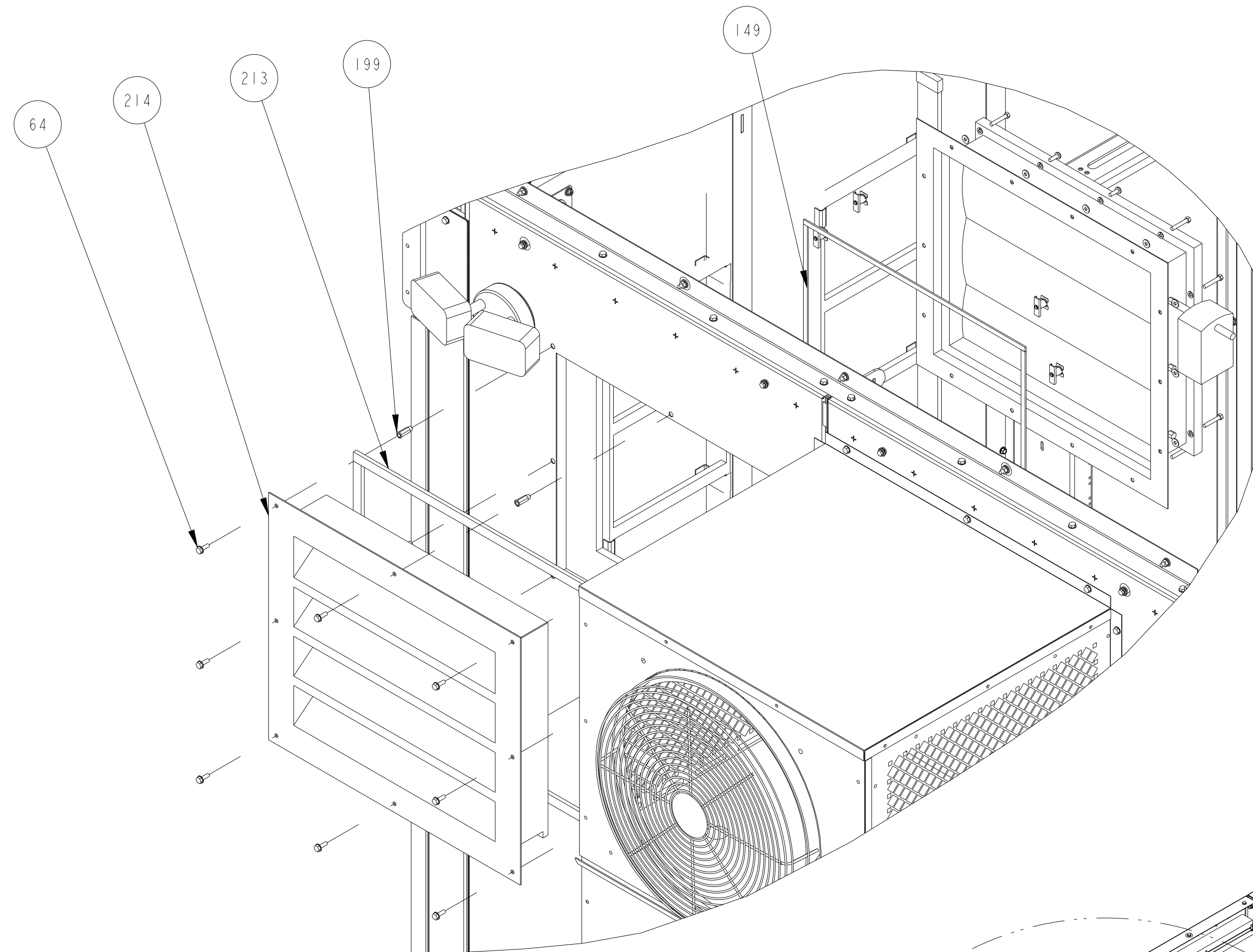
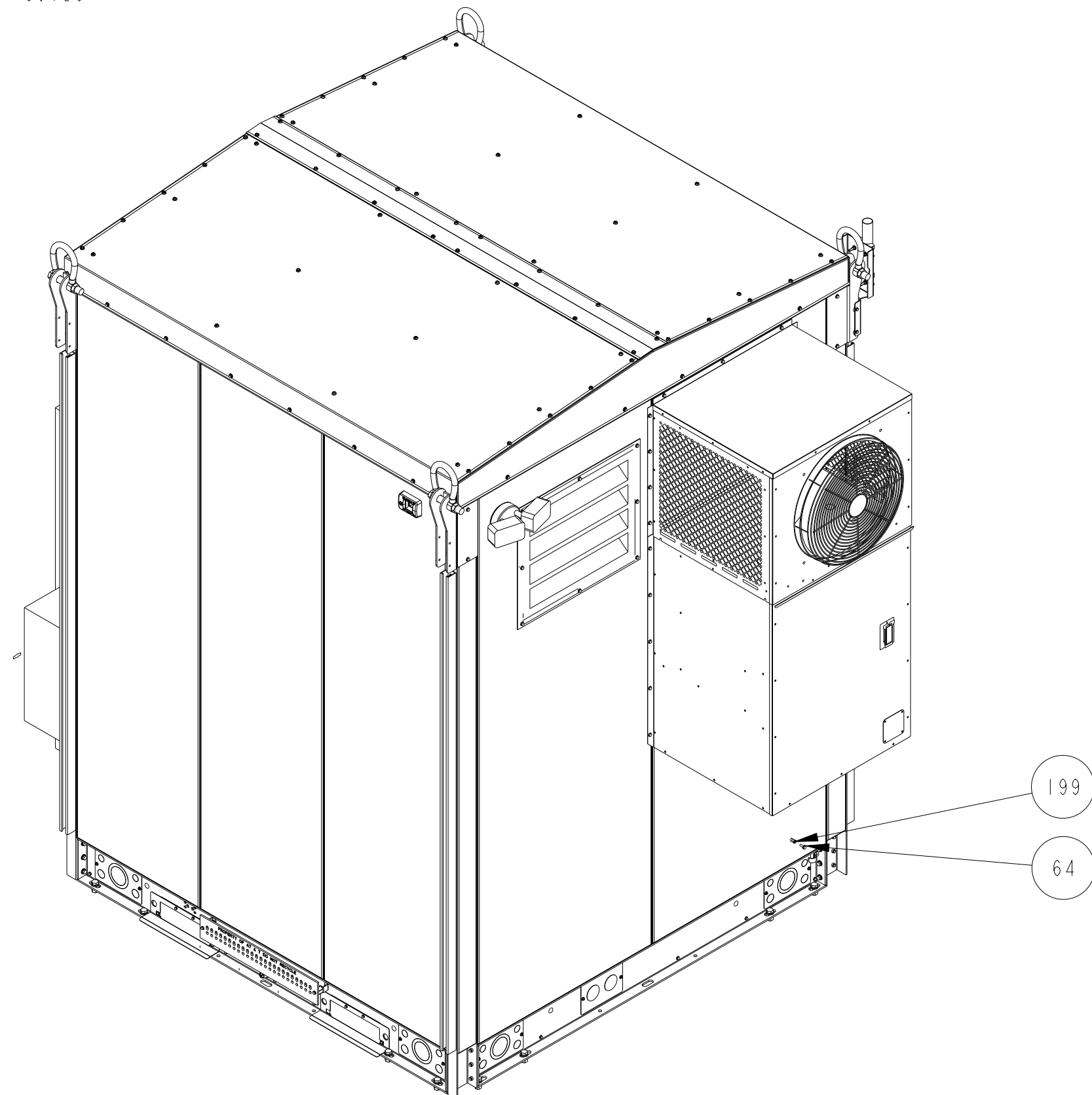


**GASKET INSTALLATION**  
SCALE 0.150

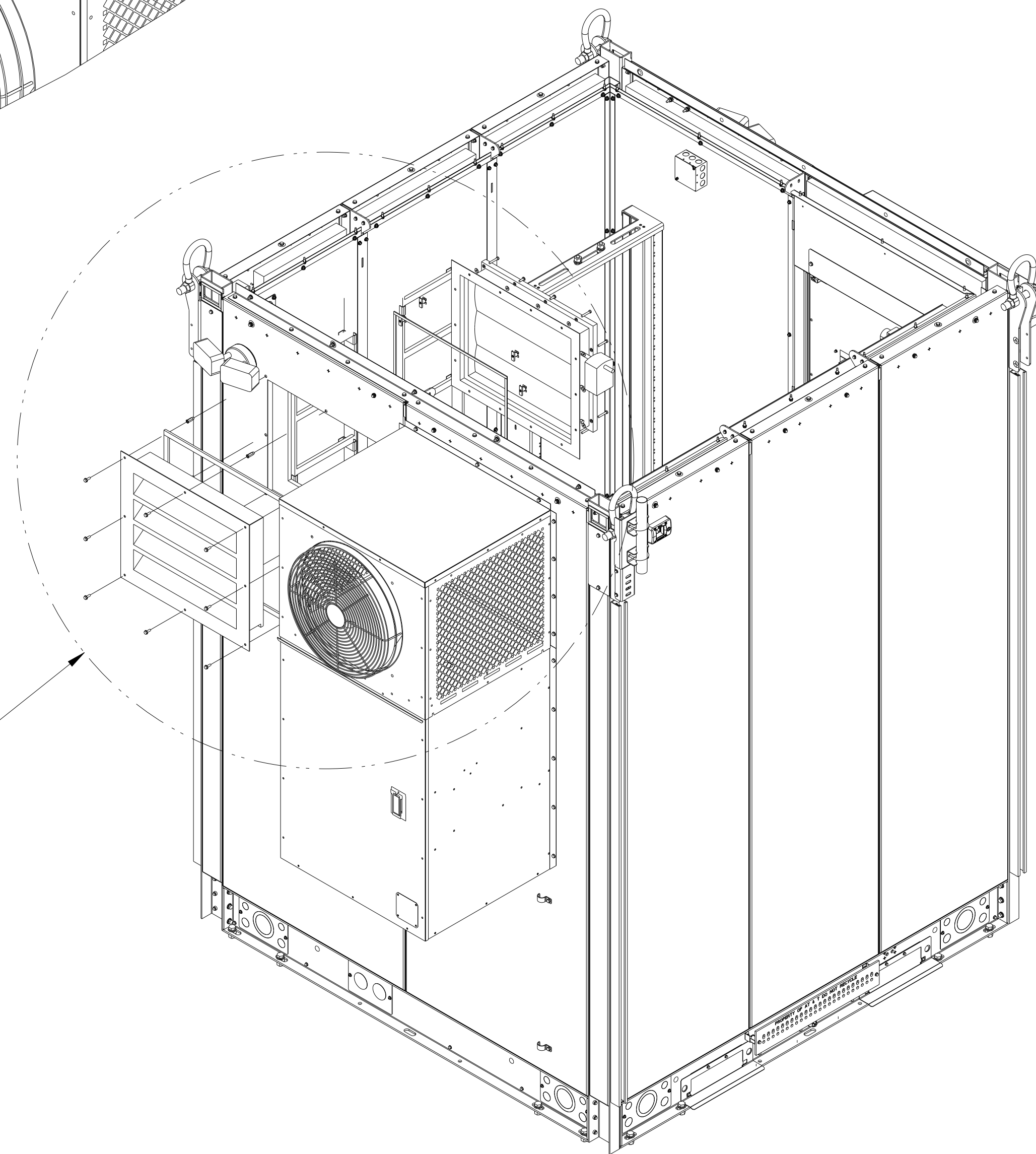


**DETAIL J**  
SCALE 0.150

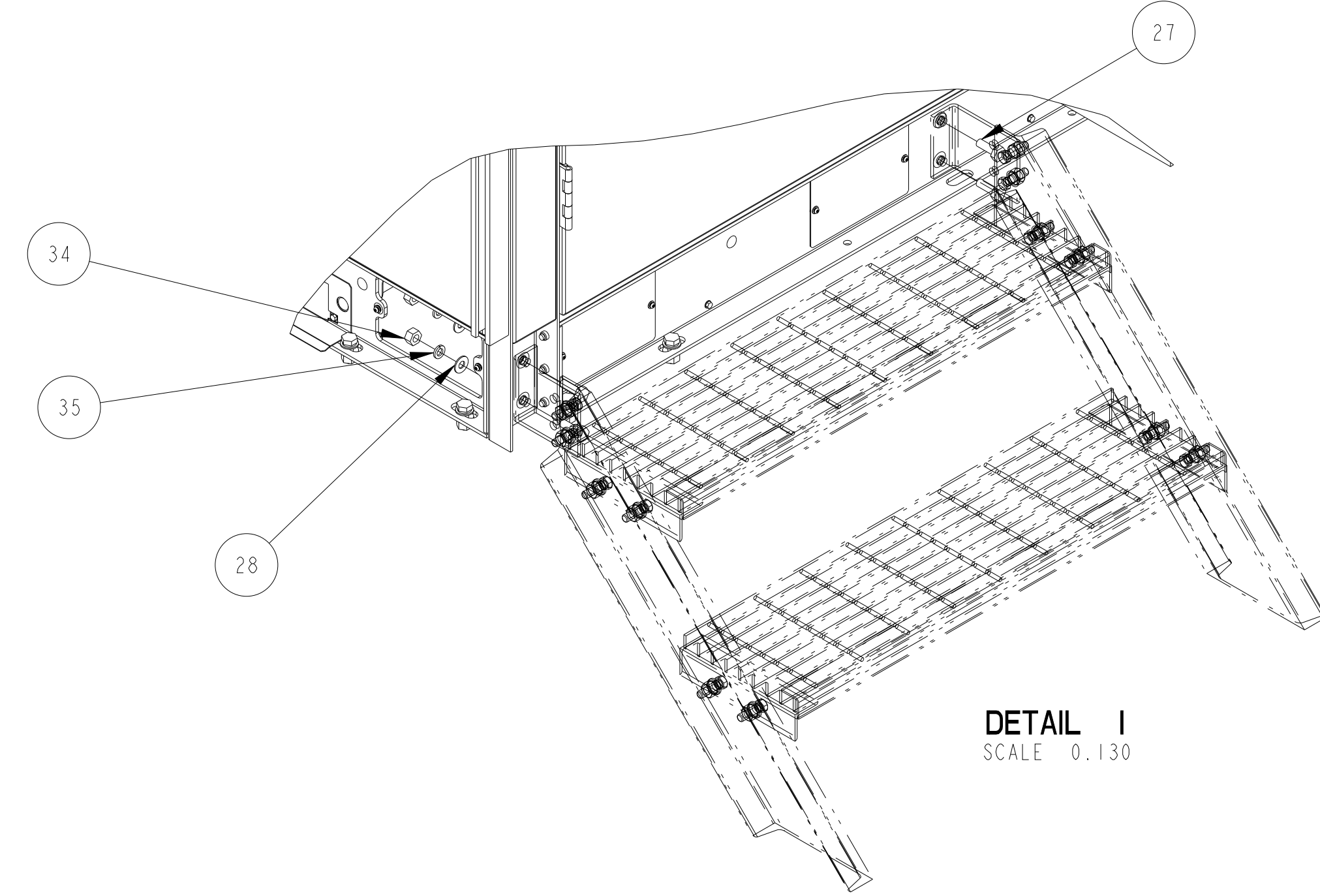
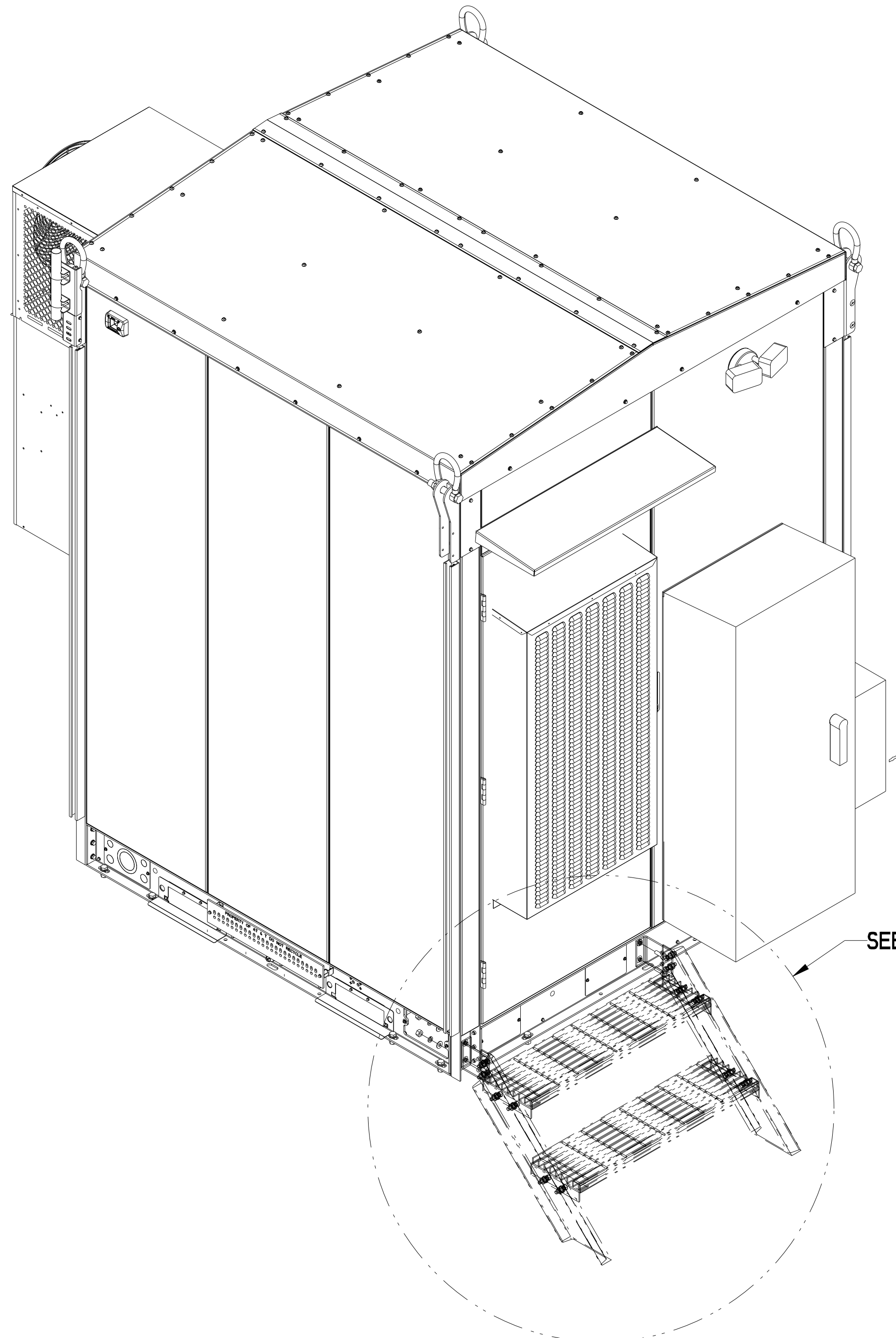


SCALE 0.055

SEE DETAIL J



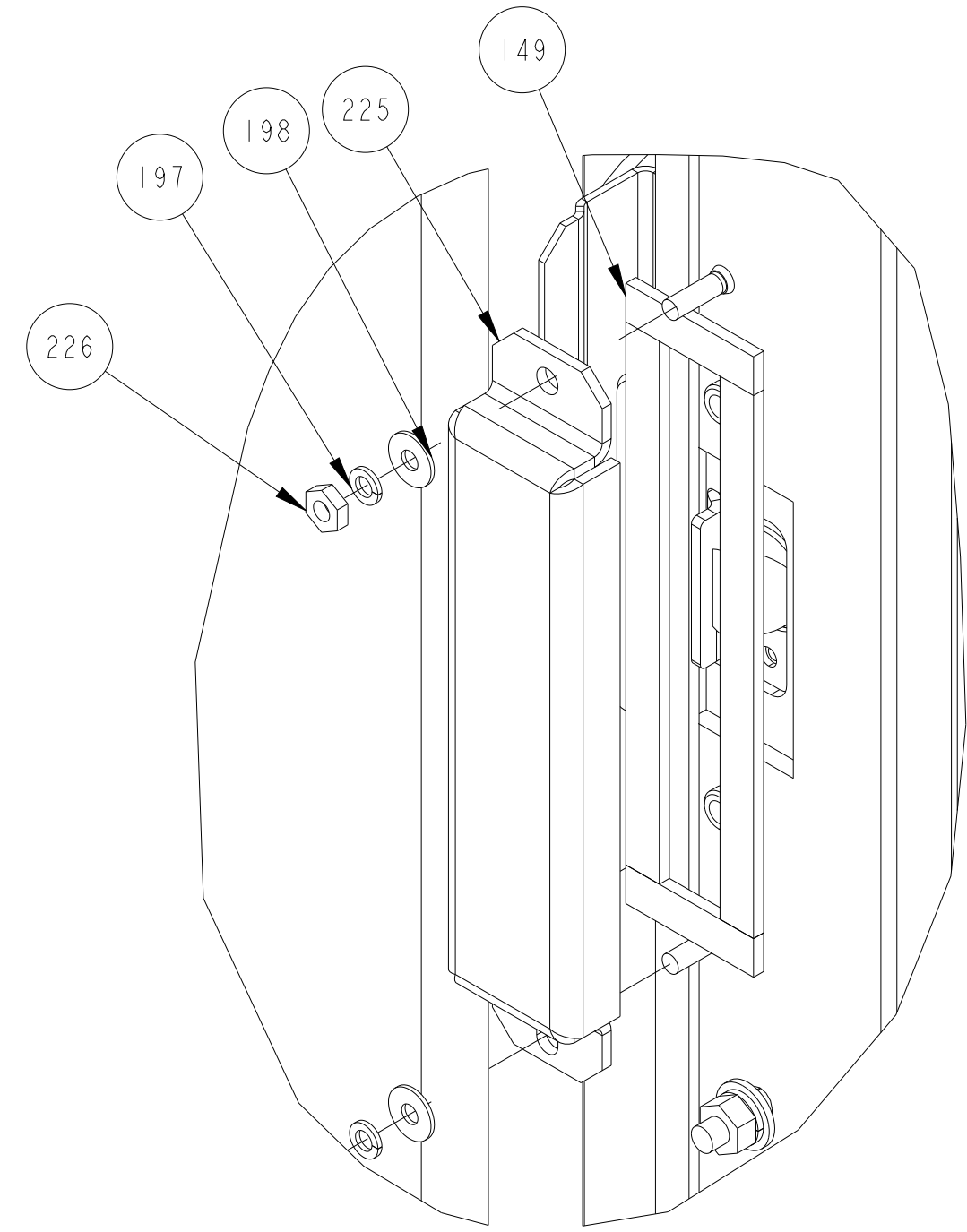
8 7 6 5 4 3 2 1



DETAIL I  
SCALE 0.130

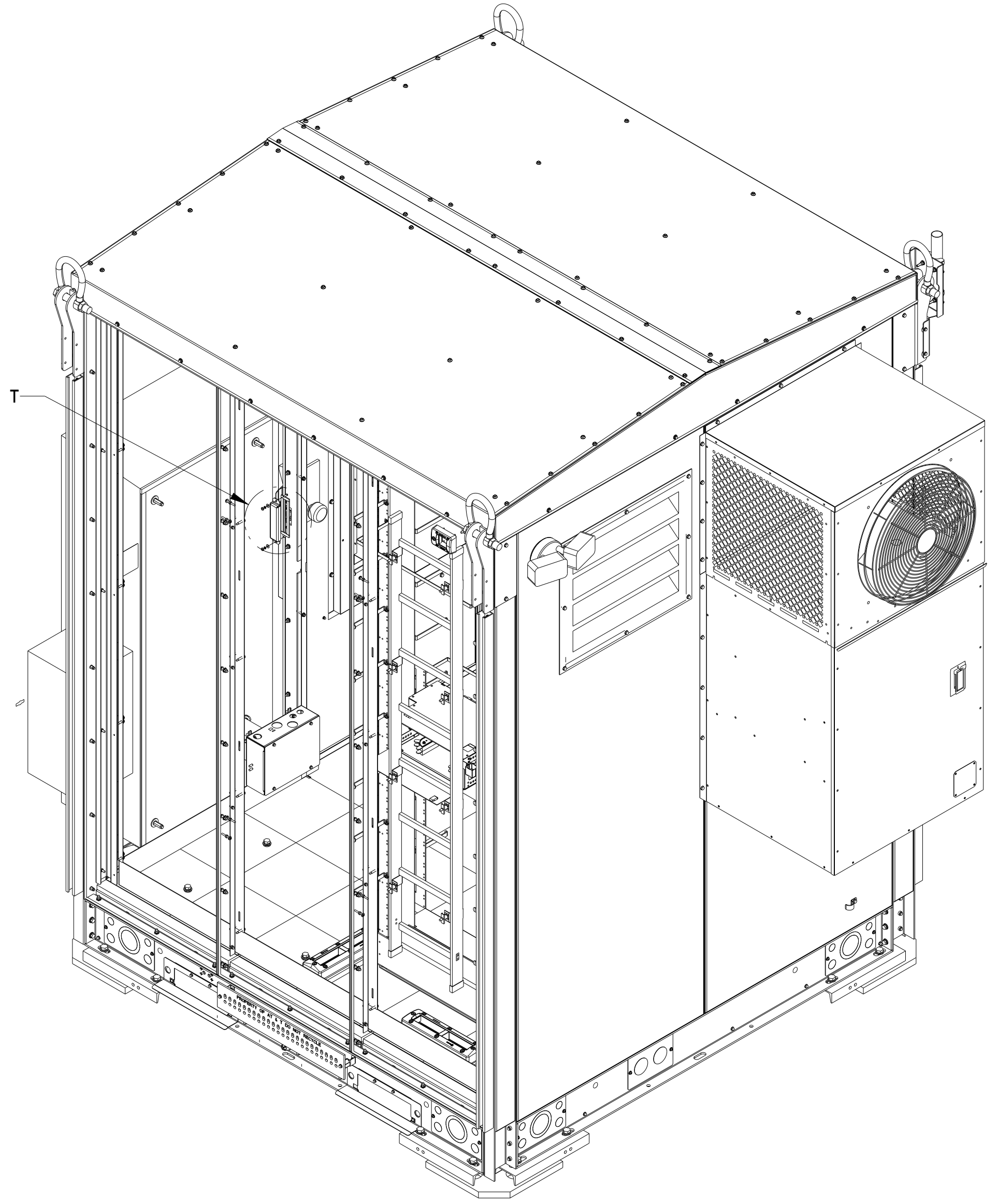
CABLE ENTRY PLATE HIDDEN TO SHOW STAIR HARDWARE

SEE DETAIL I



DETAIL T  
SCALE 0.700

SEE DETAIL T



D  
C  
B  
A

D  
C  
B  
A

8 7 6 5 4 3 2 1

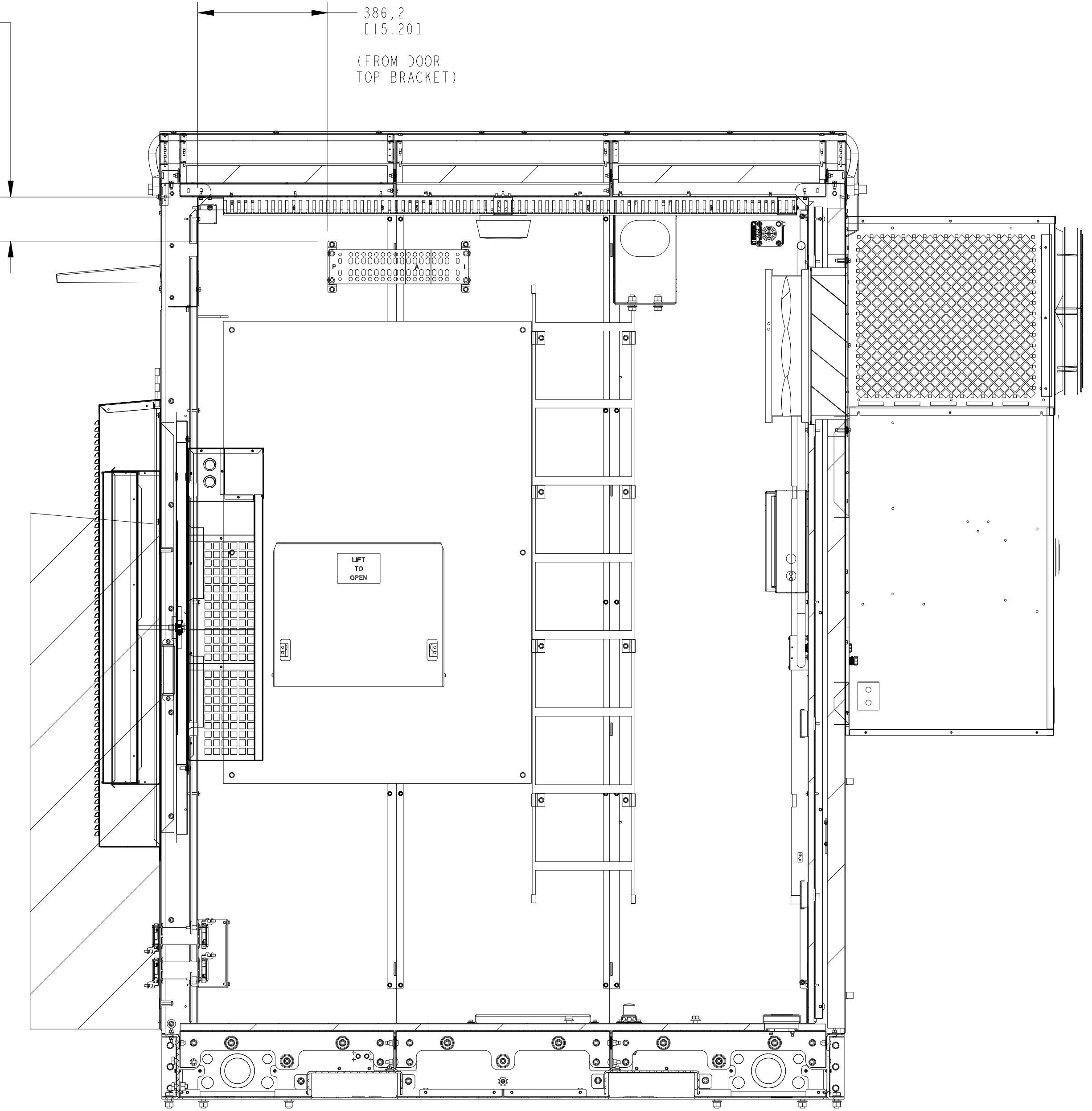
8 7 6 5 4 3 2 1

D

D

130,7  
[5.15]  
(FROM INSIDE OF  
CEILING WALL)

386,2  
[15.20]  
(FROM DOOR  
TOP BRACKET)



SECTION A-A  
SCALE 0.100

C

C

B

B

A

A

8 7 6 5 4 3 2 1

8 7 6 5 4 3 2 1

D

D

C

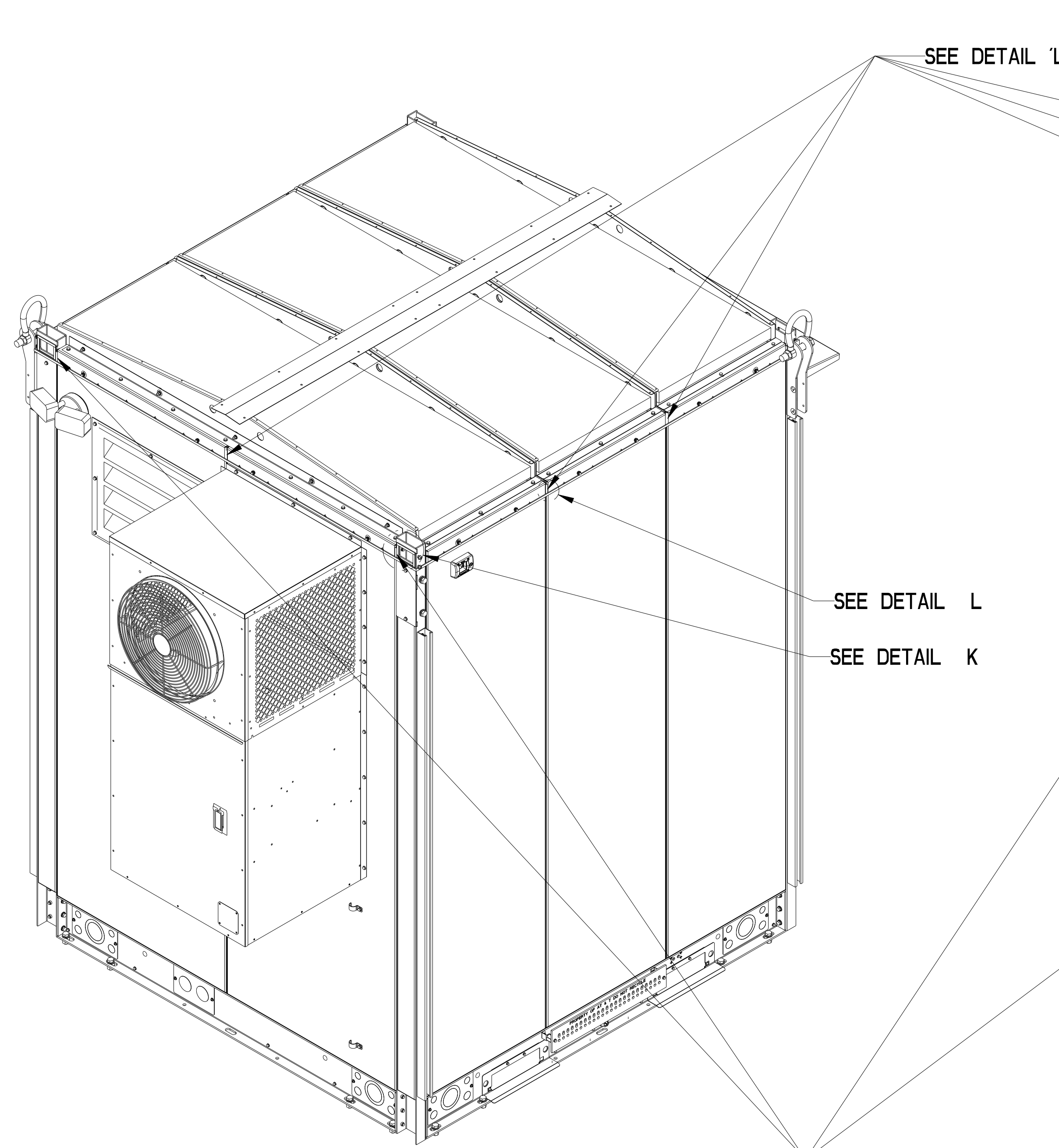
C

B

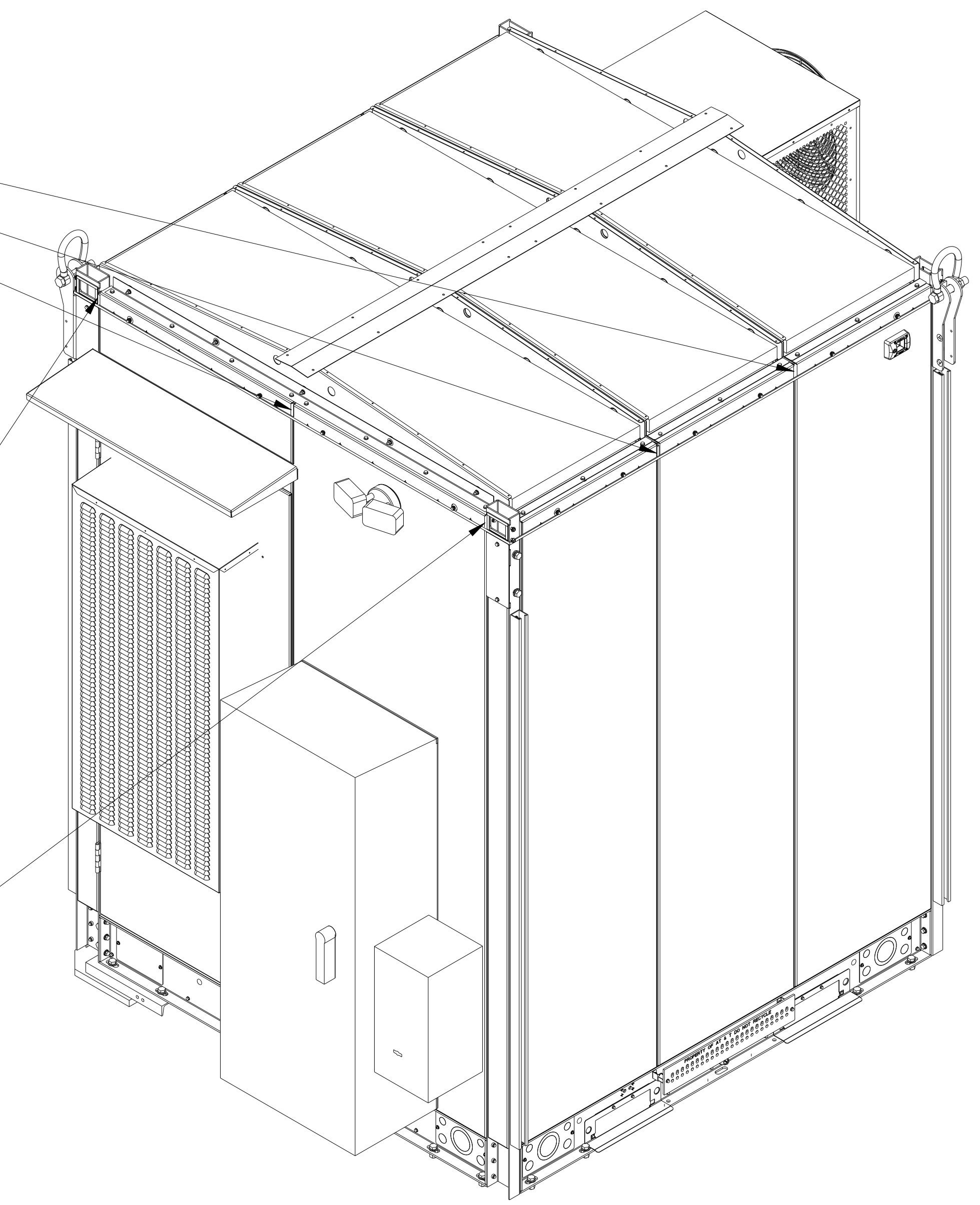
B

A

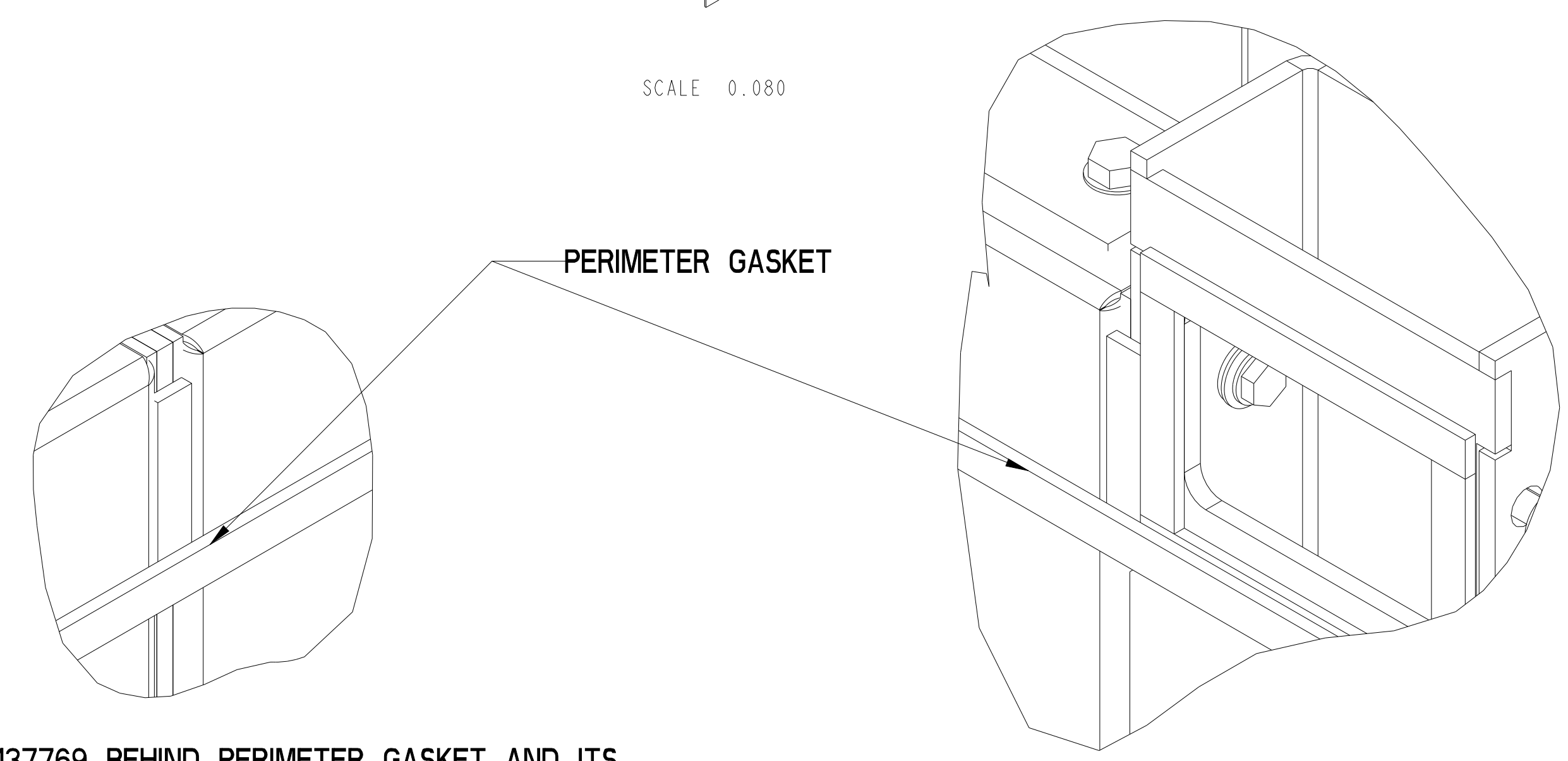
A



SCALE 0.080



SCALE 0.080



APPLY GASKET 137769 BEHIND PERIMETER GASKET AND ITS FLUSH WITH BOTTOM OF PERIMETER GASKET. THIS WILL BE APPLY AT ALL FOUR CORNERS. IN THIS VIEW GPS ASSEMBLY REMOVED TO SHOW CLEAR VIEW OF GASKET.

APPLY GASKET 137769 BEHIND PERIMETER GASKET AND ITS FLUSH WITH BOTTOM OF PERIMETER GASKET. AT ALL 6 SEAM LOCATION

DETAIL L  
SCALE 1.000

DETAIL K  
SCALE 1.000

8 7 6 5 4 3 2 1