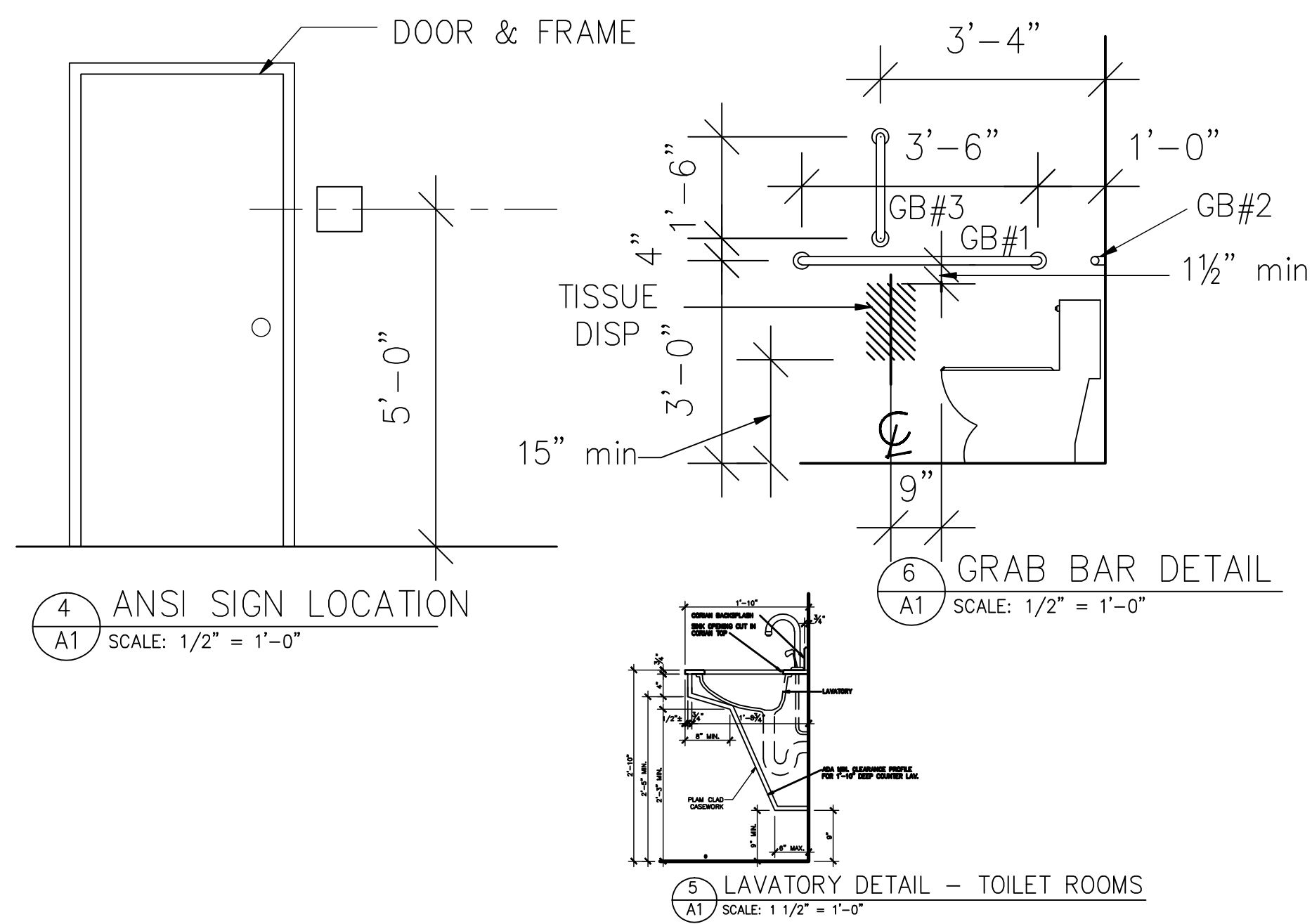


3 DEMO PLAN  
A1 SCALE: 1/8" = 1'-0"

**GENERAL NOTES:**

- 1 CONTRACTOR TO VERIFY ALL DIMENSIONS & CONDITIONS IN THE FIELD PRIOR TO ORDERING MATERIALS OR PROCEEDING WITH WORK - MATCH EXISTING MATERIALS, OVERHANGS, WINDOWS, DOORS, TRIM, ETC.
- 2 DEMO EXISTING WINDOW & REPLACE W/ NEW 1-HR FIRE RATED DOOR & FRAME - MATCH STYLE OF EXISTG DOORS
- 3 DEMO EXISTING UPPER LEVELS OF PODIUM PLATFORM - RECONSTRUCT PODIUM W/ SINGLE 7" RISER
- 4 DEMO EXISTING SINGLE RISER LOWER LEVEL OF PODIUM PLATFORM ENTIRELY
- 5 DEMO EXISTING WALL AS SHOWN
- 6 DEMO EXISTING DOOR & FRAME AS SHOWN
- 7 NEW 36" X 80" 3/4 HOUR FIRE RATED DOOR & FRAME AS SHOWN - DOOR TO BE FITTED WITH CLOSER & PANIC BAR
- 8 IN AREAS OF RENOVATION FINISH NEW CONSTRUCTION TO MATCH EXISTG CONSTRUCTION. REPAIR & REFINISH ADJ REMAINING EXISTG CONSTRUCTION TO MATCH EXISTG
- 9 EXISTING WINDOW TO REMAIN - PROVIDE 2x6 OAK MOUNTING BOARD TO SPAN WALL OPENING & FOR THE PURPOSE OF MOUNTING THE RAMP HANDRAIL
- 10 REPLACE EXISTG DBL DOORS W/ NEW 3/4 HR FIRE RATED DOORS & FRAME - DOORS TO BE PROVIDED W/ PANIC HDWE
- 11 NEW 36" WIDE POCKET DOOR
- 12 NEW 24" WIDE DOOR WITH STORAGE ROOM LOCKSET
- 13 NEW 36" WIDE DOOR & FRAME W/ CLOSER & PRIVACY LOCKSET
- 14 NEW 36" WIDE DOOR & FRAME W/ CLOSER & PUSH-PULL



4 ANSI SIGN LOCATION  
A1 SCALE: 1/2" = 1'-0"

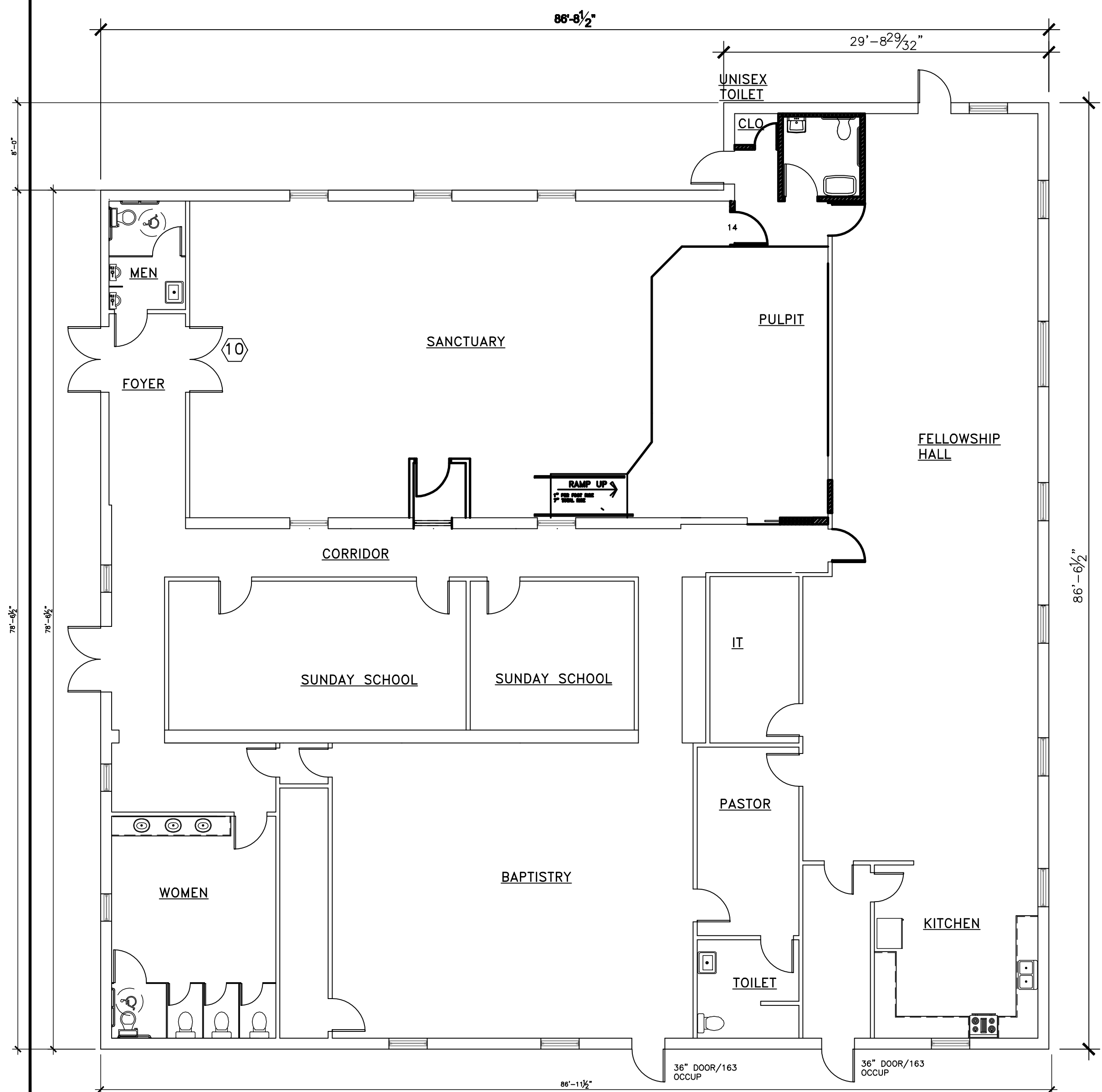
6 GRAB BAR DETAIL  
A1 SCALE: 1/2" = 1'-0"

5 LAVATORY DETAIL - TOILET ROOMS  
A1 SCALE: 1 1/2" = 1'-0"

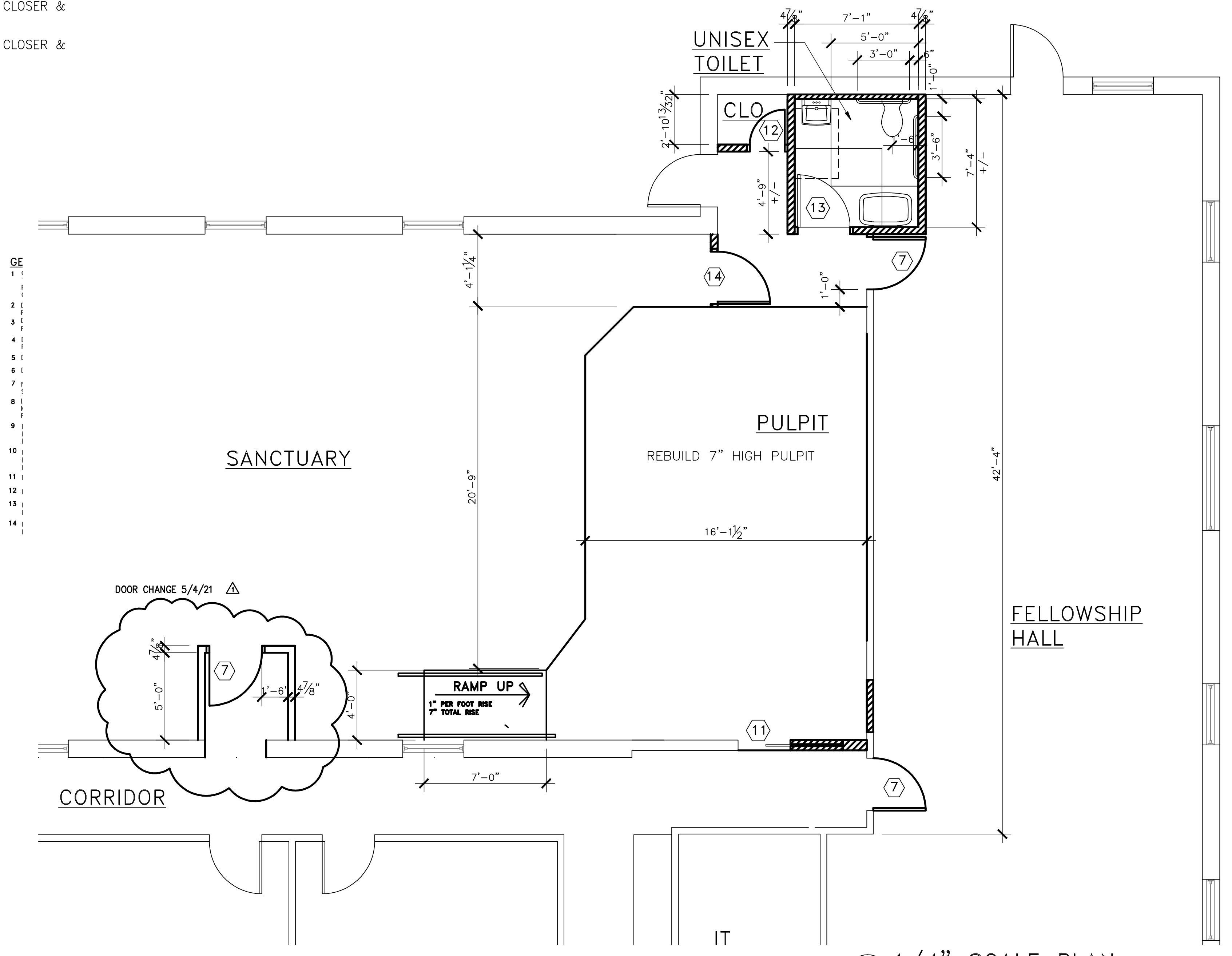
TOILET ACCESSORIES		
ABBREVIATION	ITEM	MOUNTING HEIGHT
GB#1	GRAB BAR, 42" LONG	33" AFF & PARALLEL TO FLOOR
GB#2	GRAB BAR, 36" LONG	33" AFF & PARALLEL TO FLOOR
GB#3	VERT GRAB BAR, 18" LONG	SEE WC DETAIL THIS SHEET
HD	HAND DRYER BY ELEC. SUBCONTRACTOR	40" TO BOTTOM
MR	MIRROR, 18" x 36"	40" TO BOTTOM
PTD	PAPER TOWEL DISPENSER	59" TO TOP
SD	SOAP DISPENSER	39" TO BOTTOM
SND	SANITARY NAPKIN DISPOSAL	30" TO TOP
TTD	TOILET TISSUE DISPENSER	26" AFF
DCS	DIAPER CHANGE STATION	40" AFF

REVISIONS	
DOOR CHANGE 5/4/21	Δ

**BLACKWELL ARCHITECT**  
E.J. TUD' BLACKWELL, AIA, NCARB  
310 FAIRWOOD COURT FAYETTEVILLE, NC 28405  
PHONE: 910.486.8679 CELL: 910.509.8608



2 FLOOR PLAN  
A1 SCALE: 1/8" = 1'-0"



1 1/4" SCALE PLAN  
A1 SCALE: 1/4" = 1'-0"

**REMODELING & RENOVATION**  
JORDAN TEMPLE BIBLE CHURCH OF GOD  
75 JORDAN TEMPLE LANE  
LILLINGTON, NC 27546

4/15/2021  
FLOOR PLAN

**A1**