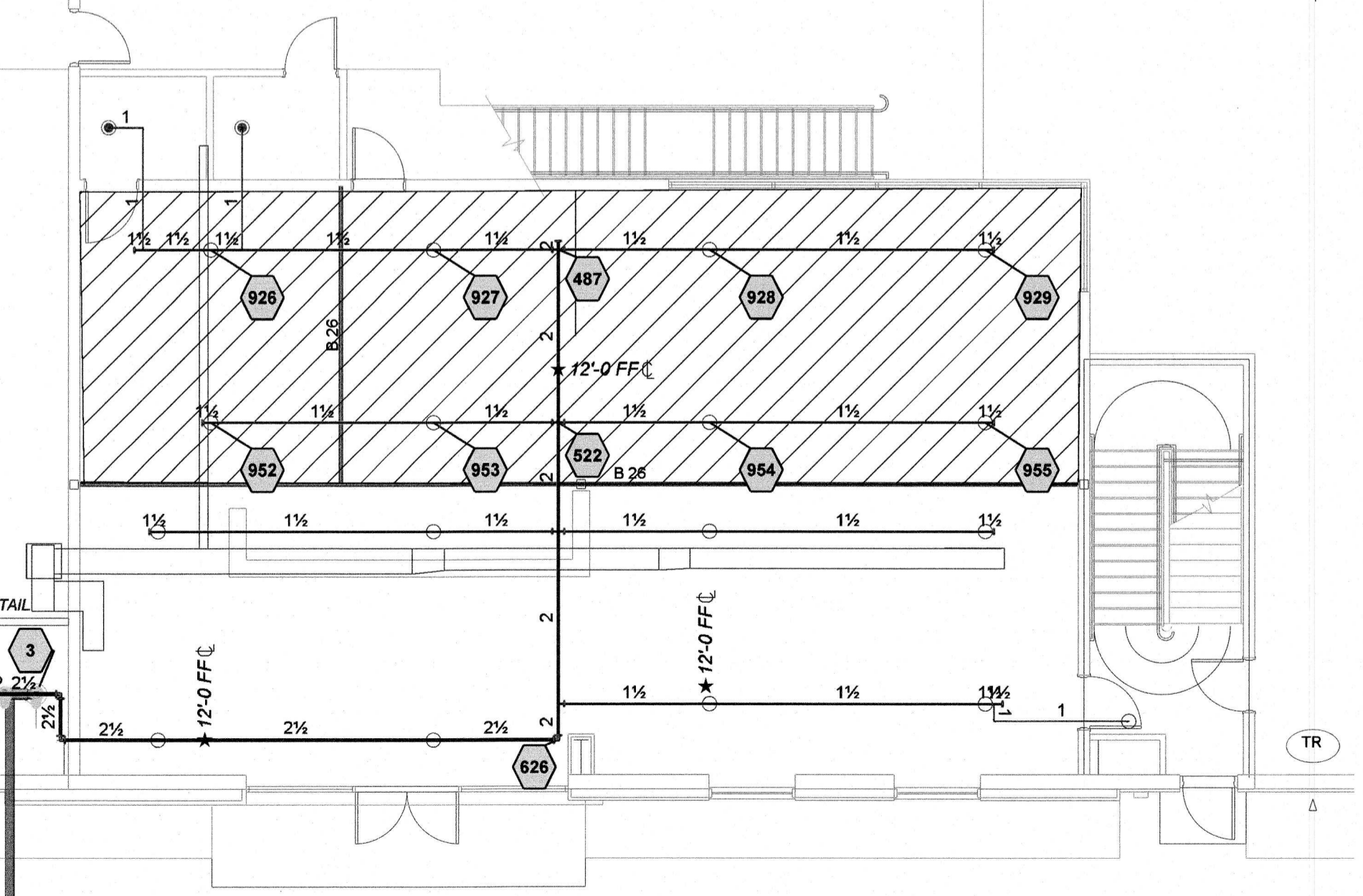
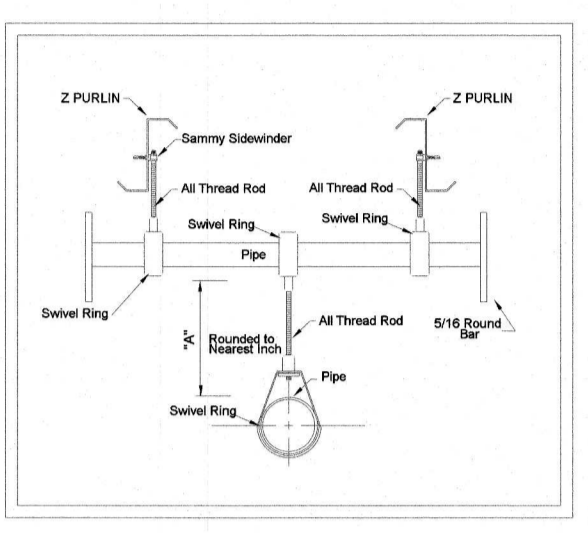
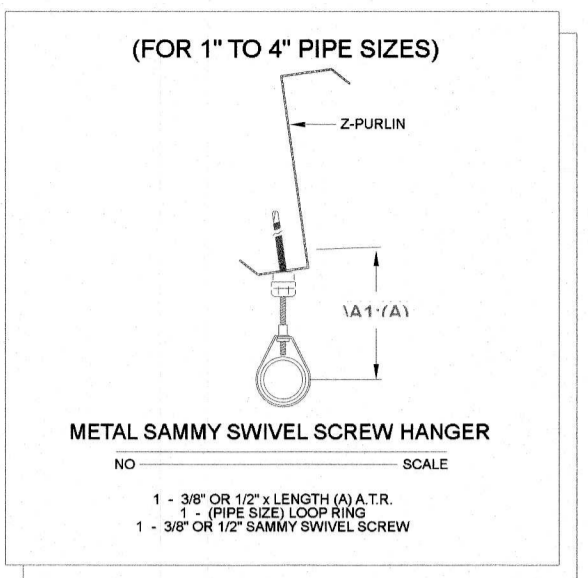


RCP
SCALE: 1/8"=1'-0"

Hydraulic Information	
Remote Area B	
OCCUPANCY CLASSIFICATION	Ordinary Group II
DENSITY (gpm/ft ²)	0.20 for 1500ft ² (Actual 983ft ²)
QUICK RESPONSE REDUCTION	12'-6" Ceiling (36.3%) 956ft ²
TOTAL HOSE STREAMS	250.00
TOTAL HEADS FLOWING	8
K-FACTOR	11.2
TOTAL WATER REQUIRED	678.77
TOTAL PRESSURE REQUIRED	103.882
BASE OF RISER (gpm)	428.77
BASE OF RISER (psi)	102.033
SAFETY MARGIN (psi)	+13.986 (11.8%)



Piping Plan
SCALE: 1/8"=1'-0"



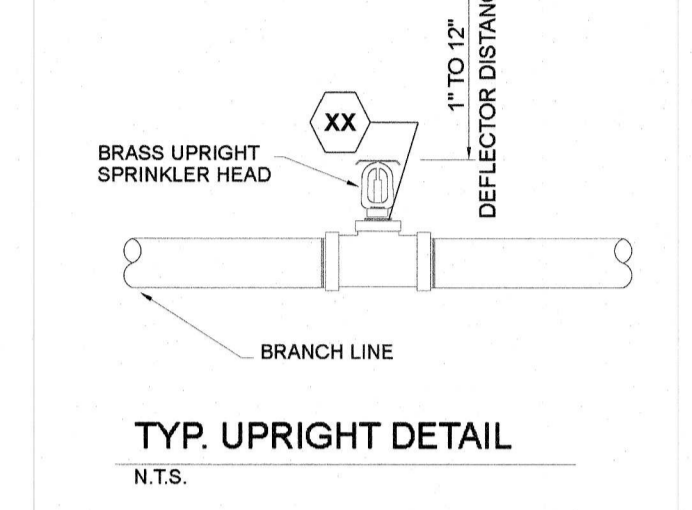
SPAN OF TRAPEZE (Schedule 10)	NOMINAL PIPE SIZE SUPPORTED							
	1"	1-1/4"	1-1/2"	2"	2-1/2"	3"	4"	6"
1 FT. 6 IN.	1"	1"	1"	1"	1"	1"	1-1/4"	1-1/4"
2 FT. 0 IN.	1"	1"	1"	1-1/4"	1-1/4"	1-1/4"	1-1/4"	1-1/2"
2 FT. 6 IN.	1-1/4"	1-1/4"	1-1/4"	1-1/4"	1-1/4"	1-1/4"	1-1/2"	2"
3 FT. 0 IN.	1-1/4"	1-1/4"	1-1/4"	1-1/4"	1-1/2"	1-1/2"	1-1/2"	2"
4 FT. 0 IN.	1-1/2"	1-1/2"	1-1/2"	1-1/2"	2"	2"	2"	2-1/2"
5 FT. 0 IN.	2"	2"	2"	2"	2"	2"	2-1/2"	2-1/2"
6 FT. 0 IN.	2"	2"	2"	2"	2-1/2"	2-1/2"	2-1/2"	3"
7 FT. 0 IN.	2"	2"	2"	2-1/2"	2-1/2"	2-1/2"	2-1/2"	3"
8 FT. 0 IN.	2-1/2"	2-1/2"	2-1/2"	2-1/2"	2-1/2"	2-1/2"	2-1/2"	3"
9 FT. 0 IN.	2-1/2"	2-1/2"	2-1/2"	2-1/2"	2-1/2"	2-1/2"	3"	4"
10 FT. 0 IN.	2-1/2"	2-1/2"	2-1/2"	2-1/2"	2-1/2"	3"	3"	4"

NOMINAL PIPE SIZE	MAXIMUM DISTANCE BETWEEN HANGERS							
	3/4"	1"	1-1/4"	1-1/2"	2"	2-1/2"	3"	6"
BLAZEMASTER CPVC	5' 6"	6' 0"	6' 6"	7' 0"	8' 0"	9' 0"	10' 0"	N/A
THREADABLE LIGHTWALL	N/A	12' 0"	12' 0"	12' 0"	12' 0"	12' 0"	N/A	N/A
STEEL PIPE (10 40)	N/A	12' 0"	12' 0"	15' 0"	15' 0"	15' 0"	15' 0"	15' 0"

100 PSI STATIC PRESSURE ON SYSTEM REQUIRES UP-LIFT RESTRAINT WITHIN 12 INCHES HORIZONTALLY OF HEAD FOR ARM-OVERS AND END OF BRANCH LINE
 THE UNSUPPORTED LENGTH BETWEEN THE END SPRINKLER AND THE LAST HANGER ON THE LINE SHALL NOT EXCEED 36" FOR 1" PIPE, 48" FOR 1-1/4" PIPE AND 60" FOR 1-1/2" PIPE OR LARGER
 THE CUMULATIVE HORIZONTAL LENGTH OF AN UNSUPPORTED ARM-OVER TO A SPRINKLER, SPRINKLER DROP, OR SPRIG-UP SHALL NOT EXCEED 24"

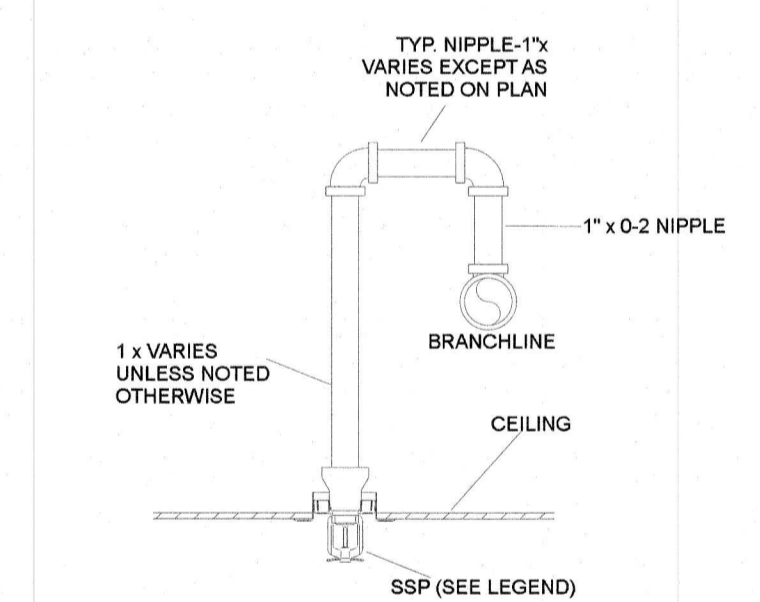
Symbol	Manufacturer	SIN	Model	Quantity	K-Factor	Type	Size	Response	Finish	Temperature	Note
●	Viking	VK-302	M	2	5.6	Pendent	1/2"	Quick	Chrome	155°F	Chrome Pendent
○	Tyco	TY-5137	EC-11	17	11.2	Upright	3/4"	Quick	Brass	155°F	Brass Upright
				Total = 19							

UNOBSTRUCTED CONSTRUCTION



SPRINKLER LEGEND

- NEW 5.6K CHROME PENDENT
- ▲ NEW 16.8K ESFR BRASS UPRIGHT
- NEW 11.2K EC BRASS UPRIGHT
- ▶ NEW 5.6K EC BRASS HORIZ. SIDEWALL
- xxx— NEW SPRINKLER PIPING
- ▲ FIRE SPRINKLER RISER LOCATION
- ★-xx-xx FF INDICATES PIPE CENTERLINE ELEVATION ABOVE FINISHED FLOOR
- ⊕-xx-xx TS INDICATES TOP OF STEEL/ROOF DECK ELEVATION
- (X) HYDRULIC REFERENCE NODE
- WALL MOUNTED STORZ STYLE FDC
- ELECTRIC BELL (WIRED BY OTHERS)
- EXISTING FIRE HYDRANT



TYP. RETURN BEND DETAIL
N.T.S.

NOTES :

- ALL HANGERS TO BE SIZED AND SPACED PER N.F.P.A.-13
- ALL ARM-OVERS LONGER THAN 2'-0" TO HAVE A N.F.P.A.-13 APPROVED HANGER
- ALL RATED FIRE WALLS SHALL BE FIRE STOPPED AS PER UL GUIDELINES
- ALL NEW BREAKOVER PIPING SHALL BE 1" SCH-40 BLACK STEEL

NATURAL STONE DESIGN

J & D SPRINKLER CO. INC.
 315 W. MAIN ST. CLAYTON, NC 27520
 Ph: (919) 553-2356 Fx: (919) 359-0622
 WEBSITE : JDSPRINKLER.COM

SHEET TITLE:
FIRE SPRINKLER
 1ST LEVEL RCP & PIPING

This fire sprinkler planning and design drawing has been prepared by J & D Sprinkler Co. as a licensed fire protection engineer under the supervision of the State Fire Marshal for J & D Sprinkler Co. use pursuant to G.S. § 89C-26(b), and J & D Sprinkler Co. must perform all and any additional work and shall be performed by any other person or entity in reliance on this drawing or any copy thereof if any published on this drawing or any copy thereof is strictly prohibited.
 2019 J & D Sprinkler Co., Inc.



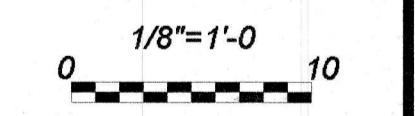
DANA GRAHAM
 NC # 16269FS CERT # 71075
 NICET LEVEL III

JASON GRAHAM
 NC # 16269FS CERT # 121842
 NICET LEVEL III

REVISION:
 NO. DATE

Contract With:

Date: 6-7-21



F21-086

Drawn By:
JEB

Sheet Number
FP-4 OF 4