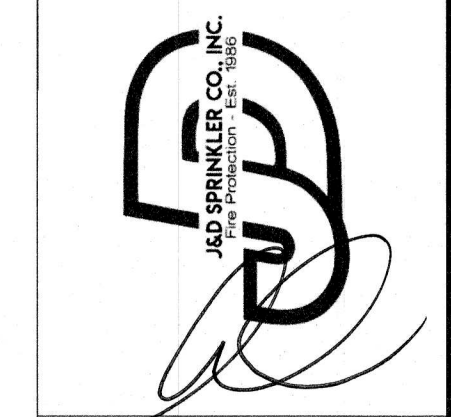


This fire sprinkler planning and design drawing has been prepared by J & D Sprinkler Co., a licensed fire sprinkler contractor under Article 2 of Chapter 87 of the General Statutes of the State of North Carolina, and shall be used in accordance with the provisions of G.S. § 88C-26(8) and J & D Sprinkler Co. must perform any and all installation work and other work required by the applicable code and any other work performed by any other person or entity in reliance on this drawing or any copy thereof is strictly prohibited.
 2019 J & D Sprinkler Co., Inc.



DANA GRAHAM
 NC # 16269FS CERT # 71075
 NICET LEVEL III

JASON GRAHAM
 NC # 16269FS CERT # 121842
 NICET LEVEL III

REVISION:
 NO. DATE

Contract With:

Date: 6-7-21

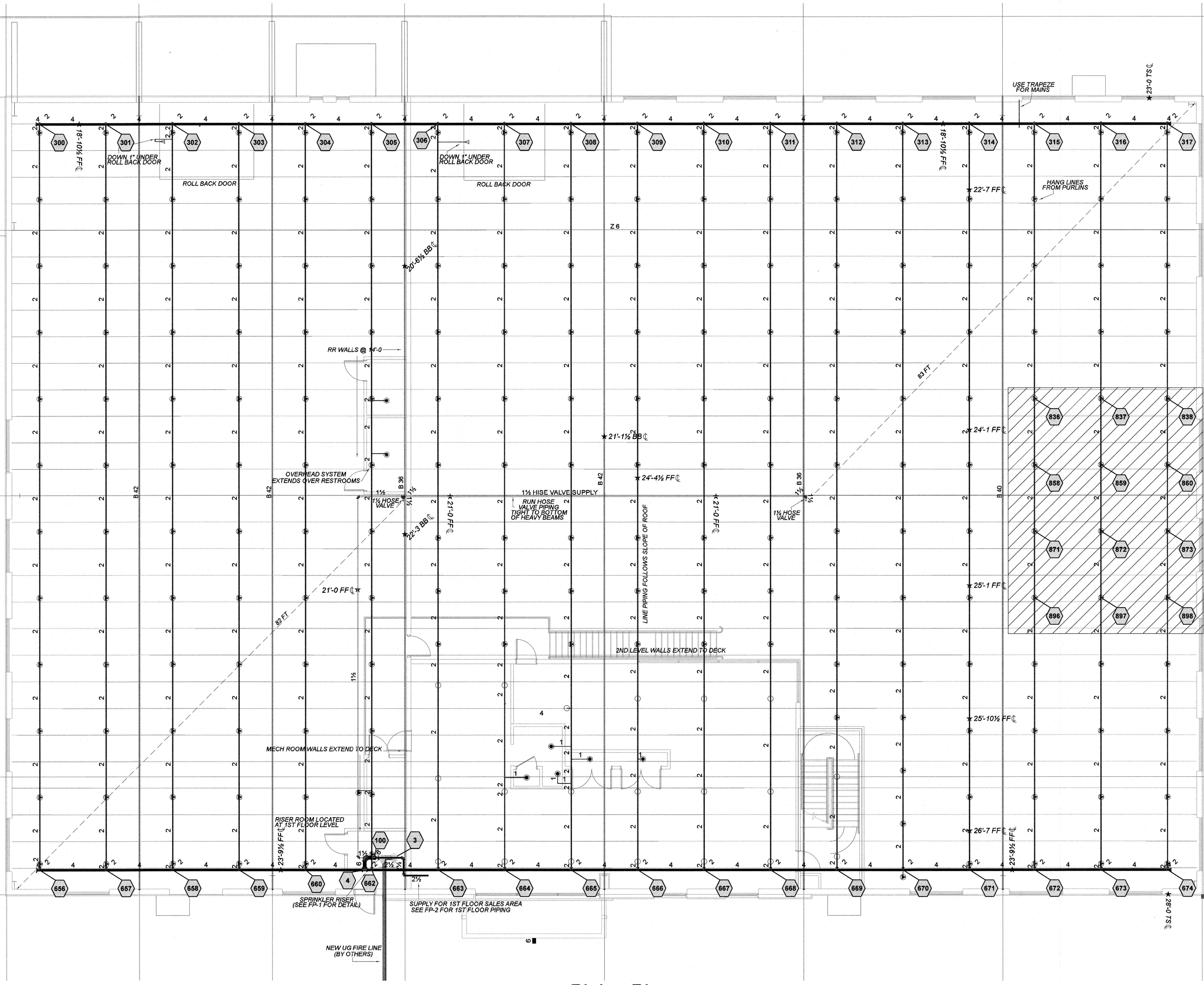
1/8"=1'-0"
 0 10

Job Number:
F21-086

Drawn By:
JEB

Sheet Number
FP-3 OF 4

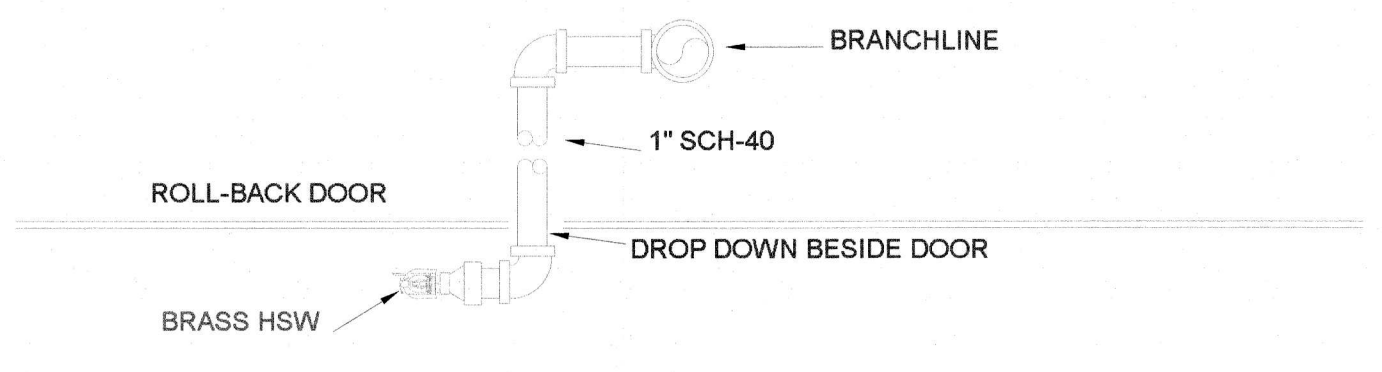
Hydraulic Information	
Remote Area A	
OCCUPANCY CLASSIFICATION	ESFR
MIN. END HEAD PESSURE	35.000 (ESFR)
TOTAL HOSE STREAMS	250.00
TOTAL HEADS FLOWING	12
K-FACTOR	16.8
TOTAL WATER REQUIRED	1452.81
TOTAL PRESSURE REQUIRED	102.734
BASE OF RISER (gpm)	1202.81
BASE OF RISER (psi)	95.206
SAFETY MARGIN (psi)	+11.640 (10.2%)



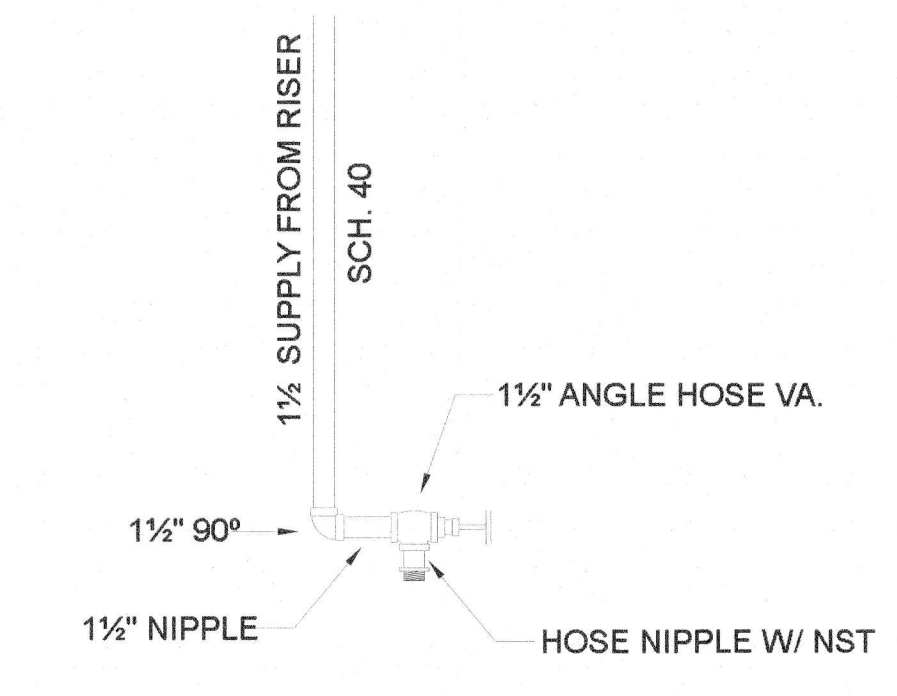
Piping Plan
 SCALE: 1/8"=1'-0"

- NOTES :**
- ALL HANGERS TO BE SIZED AND SPACED PER N.F.P.A.-13
 - ALL ARM-OVERS LONGER THAN 2'-0" TO HAVE A N.F.P.A.-13 APPROVED HANGER
 - ALL RATED FIRE WALLS SHALL BE FIRE STOPPED AS PER UL GUIDELINES
 - ALL NEW BREAKOVER PIPING SHALL BE 1" SCH-40 BLACK STEEL

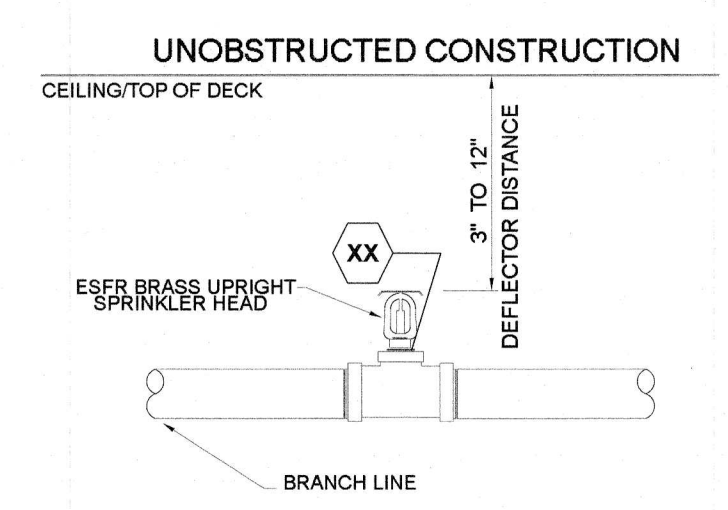
Sprinkler Legend											
Symbol	Manufacturer	SIN	Model	Quantity	K-Factor	Type	Size	Response	Finish	Temperature	Note
○	Generic	VK-605	M	2	5.6	Sidewall	1/2"	Quick	Brass	155°F	EC Horizontal Sidewall
○	Viking	VK-302	M	7	5.6	Pendent	1/2"	Quick	Chrome	155°F	Chrome Pendent
○	Tyco	TY-5137	EC-11	20	11.2	Upright	3/4"	Quick	Brass	155°F	Brass Upright
○	Tyco	ESFR-17		198	16.8	Upright	3/4"	Standard	Brass	212°F	ESFR Upright
				Total =	227						



TYP. RETURN BEND DETAIL (UNDER DOOR)
 N.T.S.



TYP. HOSE VALVE ASSEMBLY DETAIL
 N.T.S.



TYP. ESFR UPRIGHT DETAIL
 N.T.S.

