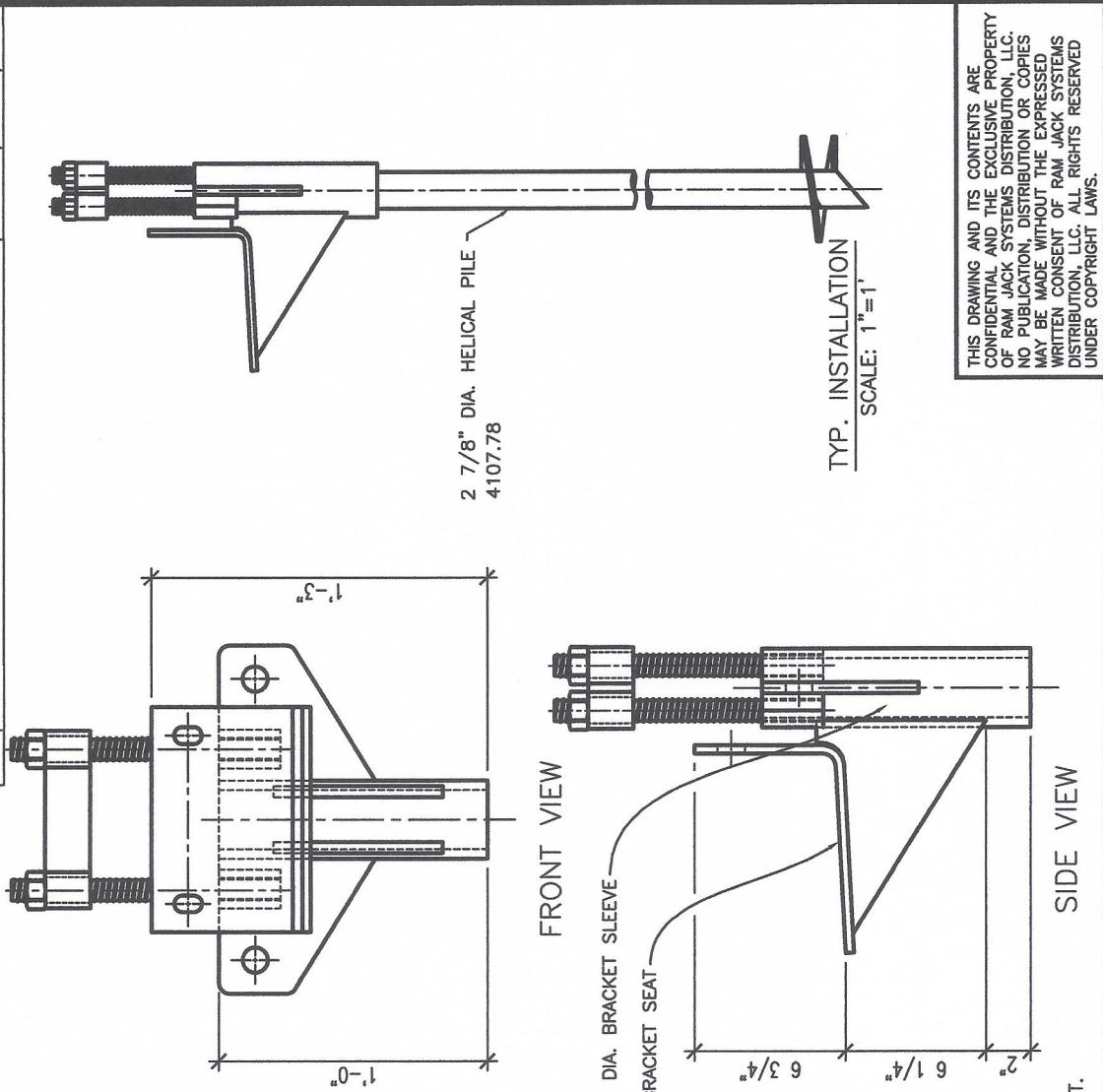


Rev No	Revision note	Date	Signature	Checked



3 1/2" O.D. SLEEVE (FY=MIN. 65 KSI)

FASTENING STRAP WITH 1" DIA. ALL THREADS AND NUTS

3 1/2" DIA. BRACKET SLEEVE

3/8" BRACKET SEAT

2 7/8" DIA. HELICAL PILE

4107.78

1'-3 1/2"

1'-0"

1'-1 1/2"

10"

3 1/2"

3"

3 1/2"

2"

FRONT VIEW

SIDE VIEW

TOP VIEW

TYP. INSTALLATION

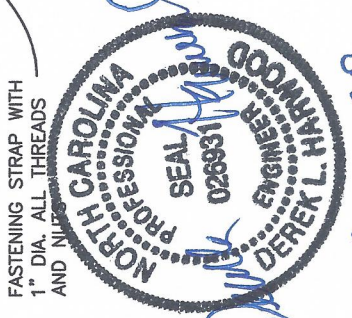
SCALE: 1"=1'

THIS DRAWING AND ITS CONTENTS ARE CONFIDENTIAL AND THE EXCLUSIVE PROPERTY OF RAM JACK SYSTEMS DISTRIBUTION, LLC. NO PUBLICATION, DISTRIBUTION OR COPIES MAY BE MADE WITHOUT THE EXPRESSED WRITTEN CONSENT OF RAM JACK SYSTEMS DISTRIBUTION, LLC. ALL RIGHTS RESERVED UNDER COPYRIGHT LAWS.

NOTES: UNLESS OTHERWISE SPECIFIED

NOTES:

1. POLYETHYLENE COPOLYMER THERMOPLASTIC COATING PER ICC-ES AC 228
3. MANUFACTURER TO HAVE IN EFFECT INDUSTRY RECOGNIZED WRITTEN QUALITY CONTROL FOR ALL MATERIALS AND MANUFACTURING PROCESSES.
4. ALL WELDING IS TO BE DONE BY WELDERS CERTIFIED UNDER SECTION 5 OF THE AWS CODE D1.1.
5. THE CAPACITY OF THE UNDERPINNING SYSTEM IS A FUNCTION OF MANY INDIVIDUAL ELEMENTS, INCLUDING THE CAPACITY OF THE FOUNDATION, BRACKET, PIER SHAFT, HELICAL PILE, AND BEARING STRATA, AS WELL AS THE STRENGTH OF THE FOUNDATION BRACKET CONNECTION AND THE QUALITY OF THE INSTALLATION OF THE PILE. YOUR ACHIEVABLE CAPACITY COULD BE HIGHER OR LOWER THAN THOSE LISTED DEPENDING ON THE ABOVE FACTORS.
6. RAM JACK ENGINEERING HANDBOOK FOR ALLOWABLE VALUES AND/OR CONDITIONS OF USE CONCERNING MATERIAL PRESENTED IN THIS DOCUMENT.



0-11-20

FILE NAME	4038 PILE BKT.	FSCN NO	
SIZE	A-SIZE TITLE BLOCK	SHEET	2 OF 7
DRAWN	10-2-08	SCALE	1 1/2"=1'
CHECK	DARIN WILLIS	DRAWN BY: CHARLES T. MARVIN	
APPR.	DARIN WILLIS	4038 HELICAL PILE BRACKET	
ISSUED		DWG NO 4038-02-07	
REV			
CONTRACT NO			

UNLESS OTHERWISE SPECIFIED

* DIMENSIONS ARE IN INCHES

* TOLERANCES: ANGLE ±1°

3 PLACE DECIMALS ±.010

2 PLACE DECIMALS ±.02

* REMOVE ALL BURRS AND SHARP EDGES

* PARENTHETICAL INFO FOR REF ONLY

HOLE TOLERANCES	
.013	THRU -.001
.126	THRU -.001
.251	THRU -.001
.501	THRU -.001
.751	THRU -.001
1.001	THRU -.001
1.251	THRU -.001
1.501	THRU -.001
1.751	THRU -.001
2.001	THRU -.001

RAM JACK