

# SHEETZ FIRE SUPPRESSION PLANS

GENERAL NOTES:

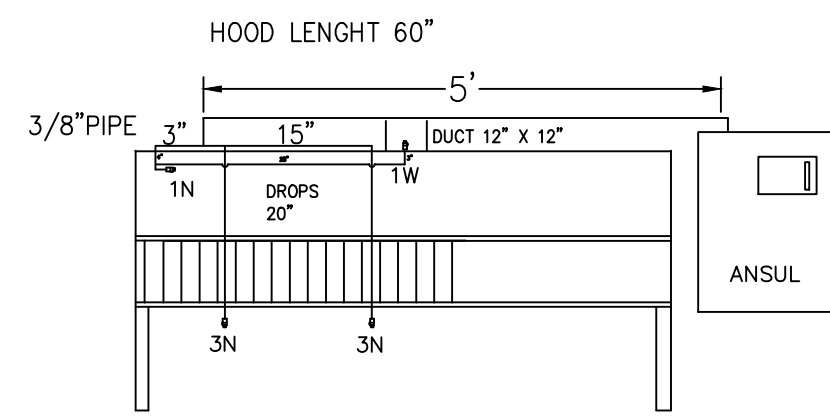
1. THIS INSTALLATION IS TO BE MADE IN ACCORDANCE WITH THE R-102, UL300 INSTALLATION MANUAL AND IN ACCORDANCE WITH ALL STATE AND LOCAL CODES.
2. ALL PIPE LENGTHS TO BE FIELD VERIFIED.
3. THESE DRAWINGS MAY BE USED TO SECURE APPROVAL FROM THE AUTHORITY HAVING JURISDICTION.
4. IT IS NECESSARY THAT ALL PIPE FITTINGS AND NOZZLES BE WRENCH TIGHTENED AND SECURELY SUPPORTED AND THAT ALL NOZZLES ARE PROPERLY AIMED AS INDICATED IN THE R-102 INSTALLATION MANUAL.
5. THE WIRE ROPE FOR THE DETECTOR AND REMOTE PULL STATION AND MECHANICAL GAS VALVE IS TO BE INSTALLED BY AN AUTHORIZED AND FACTORY TRAINED DISTRIBUTOR OR SERVICE REPRESENTATIVE.
6. THIS INSTALLATION IS TO BE INSPECTED, PUT INTO OPERATION AND CERTIFIED BY AN AUTHORIZED AND FACTORY TRAINED DISTRIBUTOR OR SERVICE REPRESENTATIVE.
7. ELECTRICAL CONTACTS AND WIRING FOR APPLIANCE SHUT OFF TO BE PROVIDED BY THE ELECTRICAL CONTRACTOR.
8. PIPING AND CONDUIT HOOD PENETRATIONS TO USE SEAL FAST HOOD ADAPTERS
9. 360 DEG. F. FUSIBLE LINK TO BE USED WITH ELECTRIC FRYERS ONLY.
10. 500 DEG. F. FUSIBLE LINKS TO BE USED ON ALL HIGH EFFICIENCY GAS FRYERS

PIPING NOTES:

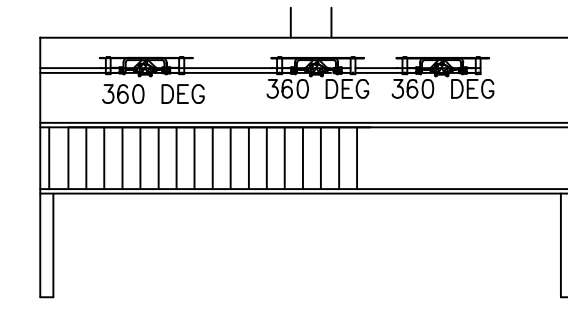
1. PIPE SHALL BE 3/8" SCHEDULE 40 BLACK IRON, CHROME PLATED OR STAINLESS STEEL.
2. PIPE ENDS SHALL BE REAMED AND BLOWN CLEAR OF CHIPS AND SCALE BEFORE ASSEMBLY. INSIDE OF PIPE AND FITTINGS MUST BE FREE OF OIL AND DIRT.
3. PIPING DIMENSIONS GIVEN ARE FROM CENTER TO CENTER OF FITTINGS.
4. FINAL NOZZLE LOCATION MAY VARY FROM LOCATION SHOWN.
5. ADD UNIONS AS NEEDED.
6. ANSUL AUTOMAN LOCATED ON WALL
7. ALL PIPE CONNECTIONS MUST USE TEFLON TAPE ON THE MALE THREADS ONLY. MAKE CERTAIN TAPE DOES NOT COVER LAST THREAD ON PIPE END.
8. MAKE CERTAIN THAT THERE IS A MINIMUM OF 6' (SIX FEET) OF PIPE BETWEEN THE AGENT TANK AND ANY NOZZLE PROTECTING A FRYER.

ELECTRICAL NOTES:

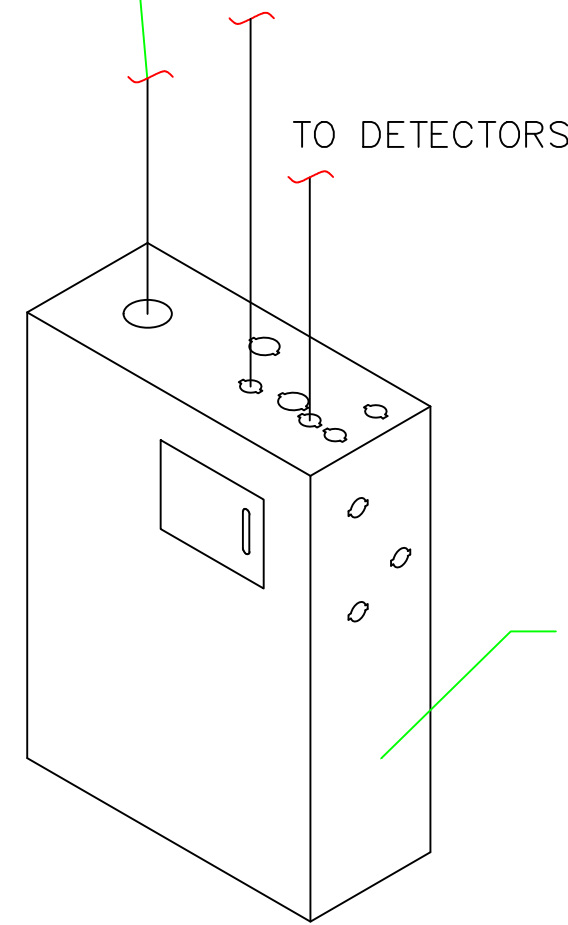
1. NO ELECTRICAL CONNECTIONS CAN BE MADE INSIDE OF ANSUL BOX.
2. ELECTRIC UNDER THE HOOD IS TO SHUT DOWN WHEN SYSTEM TRIPS. ELECTRIC IS NOT TO RE ENERGIZE UNTILL FIRE SYSTEM IS RESET.
3. FRYERS TO BE SHUT TRIPPED WHEN THE ANSUL SYSTEM DISCHARGES



FUSIBLE LINK DETECTORS  
(SEE GENERAL NOTE 9)



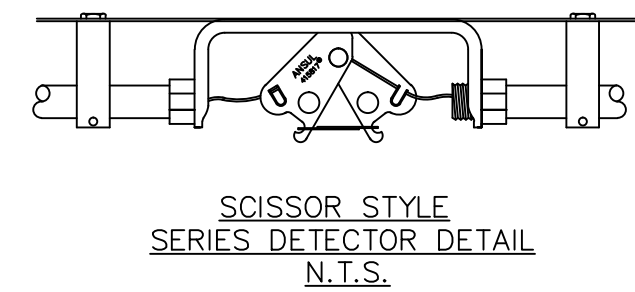
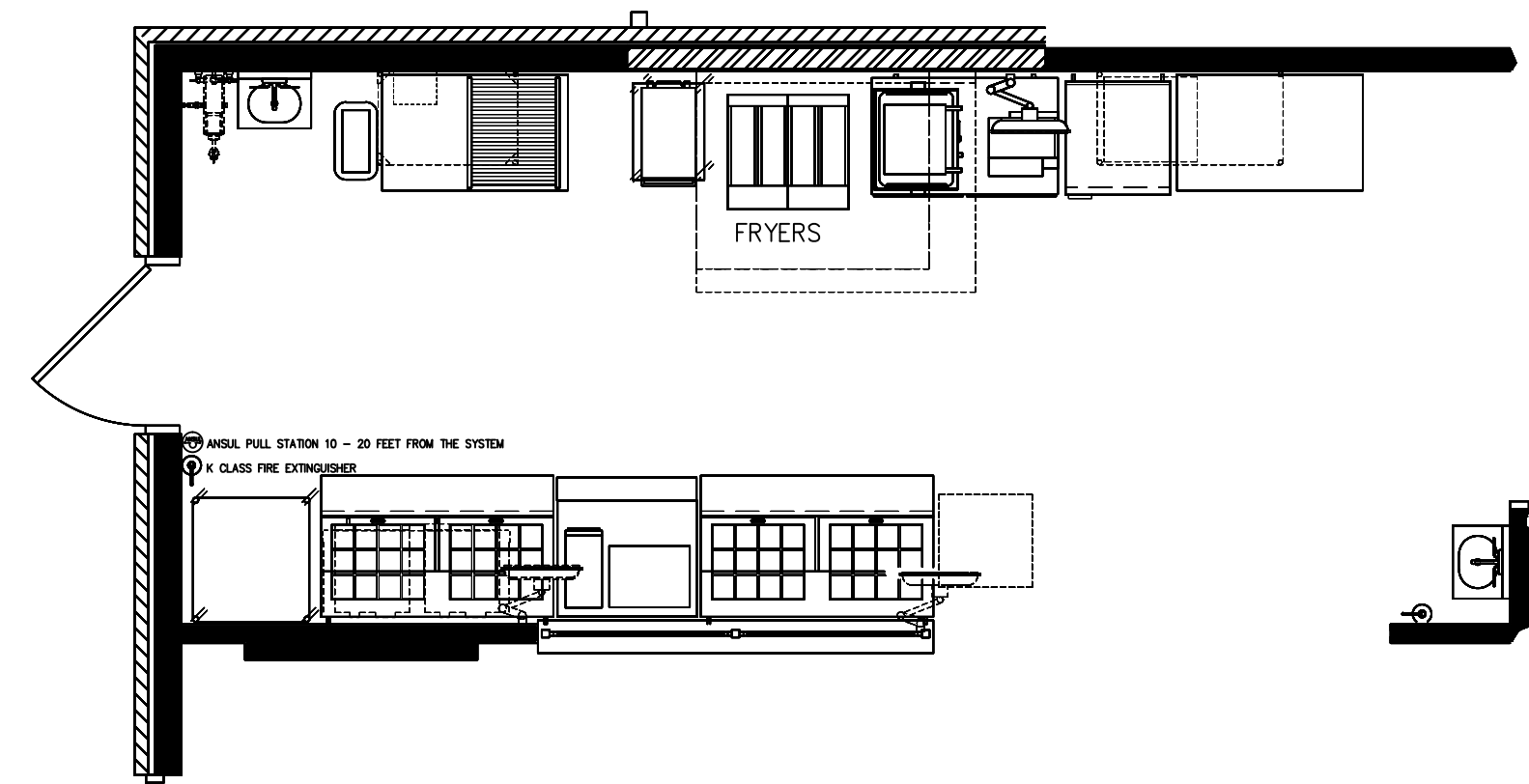
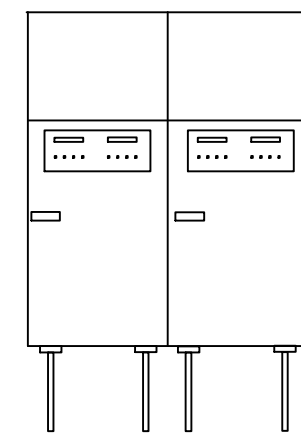
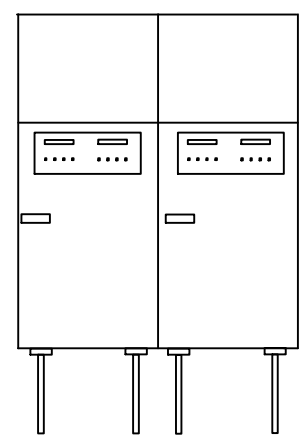
3/8" AGENT DISTRIBUTION LINE  
TO PULL STATION (MOUNT TO CODE)



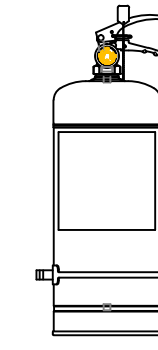
3 GAL TANK W/  
ANSUL AUTOMAN  
MECHANICAL REG.  
RELEASE (P/N 430299)

NOZZLE HEIGHT 25" TO 35"  
FRONT HALF OF PERIMETER  
AIMED AT CENTER

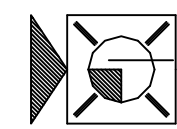
ANSUL NOZZLES HAVE SWIVEL  
ADAPTORS



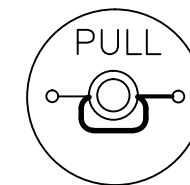
SCISSOR STYLE  
SERIES DETECTOR DETAIL  
N.T.S.



K CLASS FIRE EXTINGUISHER TO  
BE MOUNTED WITHIN 30' OF THE HOOD



ALARM TO ACTIVATE ON SYSTEM  
DISCHARGE



MANUAL PULL STATION TO BE LOCATED 10' TO 20'  
FROM THE SYSTEM

THIS DESIGN IS IN COMPLIANCE WITH UL 300, NFPA 96 & NFPA 17A

NOTE: THE FIRST NUMBER IN ANY NOZZLE DESIGNATION INDICATES THE FLOW NUMBER OF THE NOZZLE.

**FLOW POINTS**

ANSUL 3 GALLON SYSTEM 11 FLOW  
POINTS ALLOWED

11 FLOW POINTS  
8 USED

DUCT 12" X 12"	1	1W
PLENUM 60"	1	1
FRYER SPLIT VAT 13" X 16.5" 21" OVERALL	3	3
FRYER SPLIT VAT 13" X 16.5" 21" OVERALL	3	3

TOTAL 8  
FLOW POINTS USED

NOTE: THE FIRST NUMBER IN ANY NOZZLE DESIGNATION INDICATES THE FLOW NUMBER OF THE NOZZLE.

SYSTEM DESIGNER  
JAMES HALE  
NICET LEVEL 4  
SPECIAL HAZARDS SUPPRESSION  
SYSTEMS  
CERT. # 113277  
VALID THROUGH 4/1/23

DRAWINGS BY:  
JAMES HALE  
NICET LEVEL 4  
SPECIAL HAZARDS SUPPRESSION  
SYSTEMS  
CERT. # 113277  
VALID THROUGH 4/1/23

THIS DRAWING CONTAINS CONFIDENTIAL PROPRIETARY INFORMATION OF GREER'S SUPPLY CO AND ALL RIGHTS ARE EXPRESSLY RESERVED. THIS DRAWING IS NOT TO BE USED FOR ANY OTHER PURPOSE NOR ITS CONTENTS REVEALED TO ANYONE NOR COPIED IN WHOLE OR IN PART NOR ITS DESIGN FEATURES USED IN OTHER PRODUCTS WITHOUT OR WRITTEN CONSENT. IT IS TO BE RETURNED WHEN NO LONGER REQUIRED, OR UPON REQUEST

REV	DESCRIPTION	ECN	DATE	BY/APPR
1	ISSUED FOR PERMIT		2/19/2021	JEH



PYE BARKER FIRE & SAETY  
2401-A PLANTATION ROAD  
ROANOKE, VA. 24012  
PHONE: 540-265-0555  
FAX: 540-265-0554

TITLE		
SHEETZ NE CORNER NC 24-87& SAWYER ROAD SR 2482 CAMERON, NC		
SIZE	DWG. NO.	REV.
D	ANSUL	1