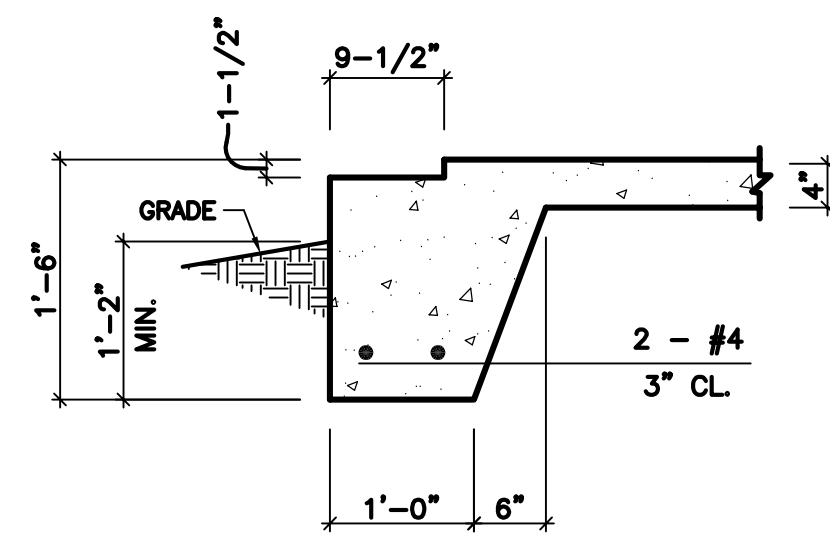
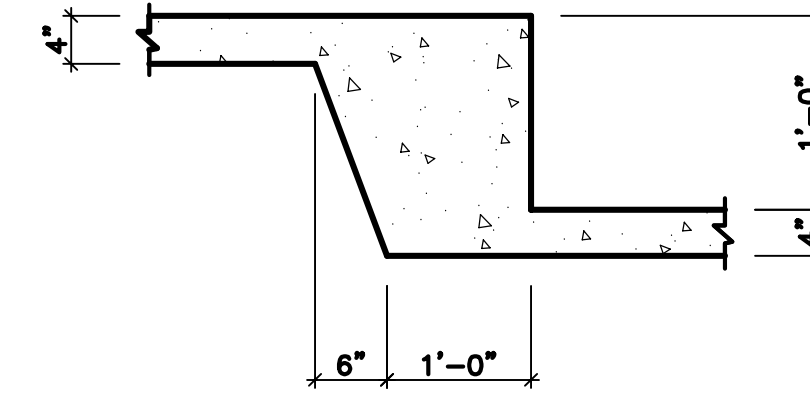


SECTION 1
SCALE: 3/4" = 1'-0"
S-1



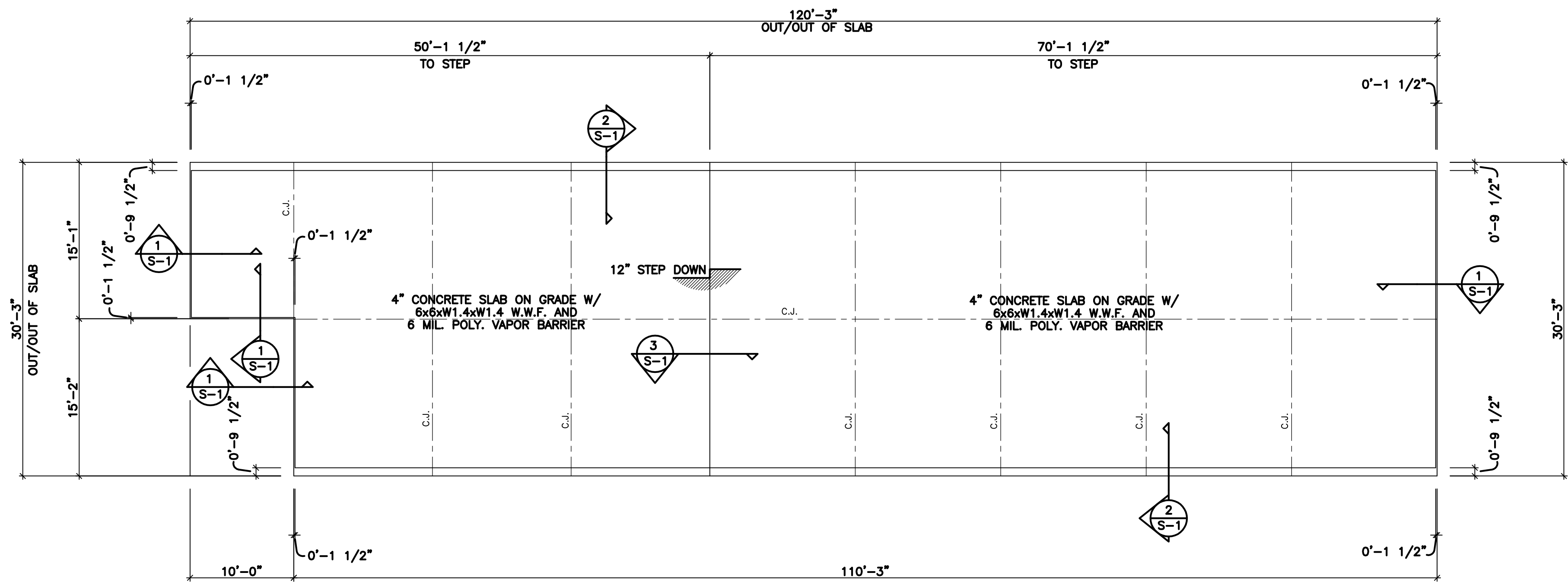
SECTION 2
SCALE: 3/4" = 1'-0"
S-1



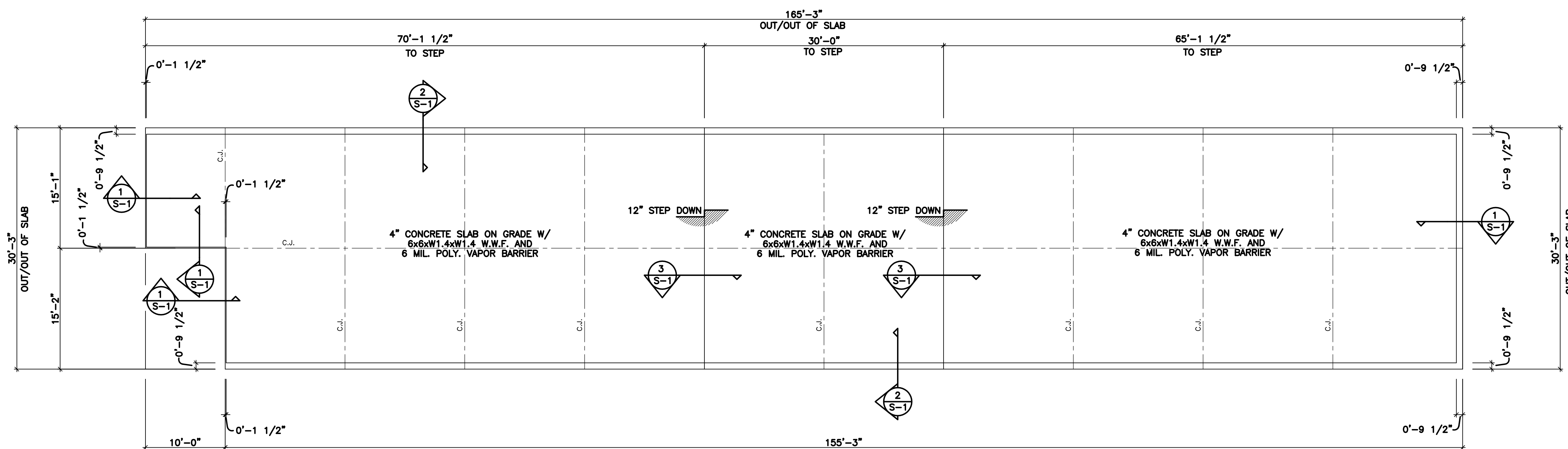
SECTION 3
SCALE: 3/4" = 1'-0"
S-1

GENERAL NOTES

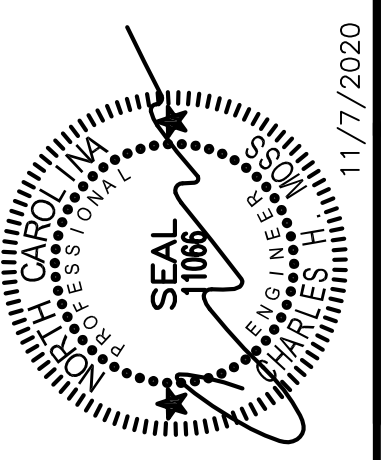
- CONTRACTOR SHALL BE RESPONSIBLE FOR BRACING ALL WORK DURING CONSTRUCTION.
- FOOTINGS ARE DESIGNED FOR AN ALLOWABLE BEARING CAPACITY OF 2000 P.S.F.
- CONCRETE SHALL HAVE A MINIMUM 28 DAY COMPRESSIVE STRENGTH OF 3000 P.S.I. WITH A 4" MAXIMUM SLUMP. DETAILS NOT SHOWN SHALL BE ACCORDING TO ACI 318 AND ACI 301 SPECIFICATIONS FOR CONCRETE CONSTRUCTION
 - REINFORCING STEEL SHALL BE ASTM A-615 GRADE 60 (TIES MAY BE GRADE 40)
 - W.W.F. SHALL BE ASTM A-185
 - MINIMUM LAP: #4 - 28"
 - #5 - 32"
 - MINIMUM COVER: 3" U.N.O.
- C.J. ON PLANS INDICATE CONTROL JOINT 1/8" x 1" DEEP SAWN WITHIN 24 HOURS AFTER PLACING CONCRETE. METAL JOINT MATERIAL MAY BE USED.
- FOUNDATION BASED ON REACTIONS FURNISHED BY PEAK STEEL BUILDINGS DRAWING NO. RD080A20, DATED 11/4/2020.



FOUNDATION PLAN - BLDG A
SCALE: 1/8" = 1'-0"



FOUNDATION PLAN - BLDG B
SCALE: 1/8" = 1'-0"



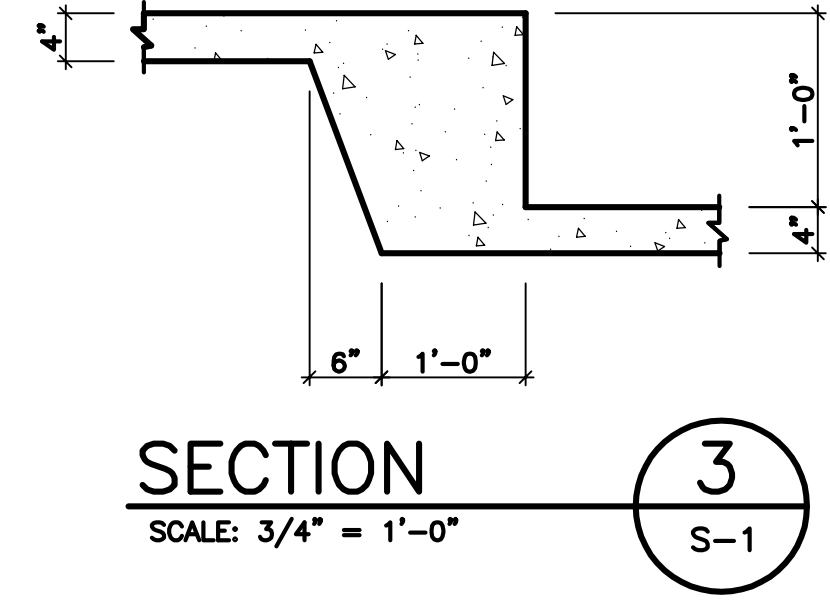
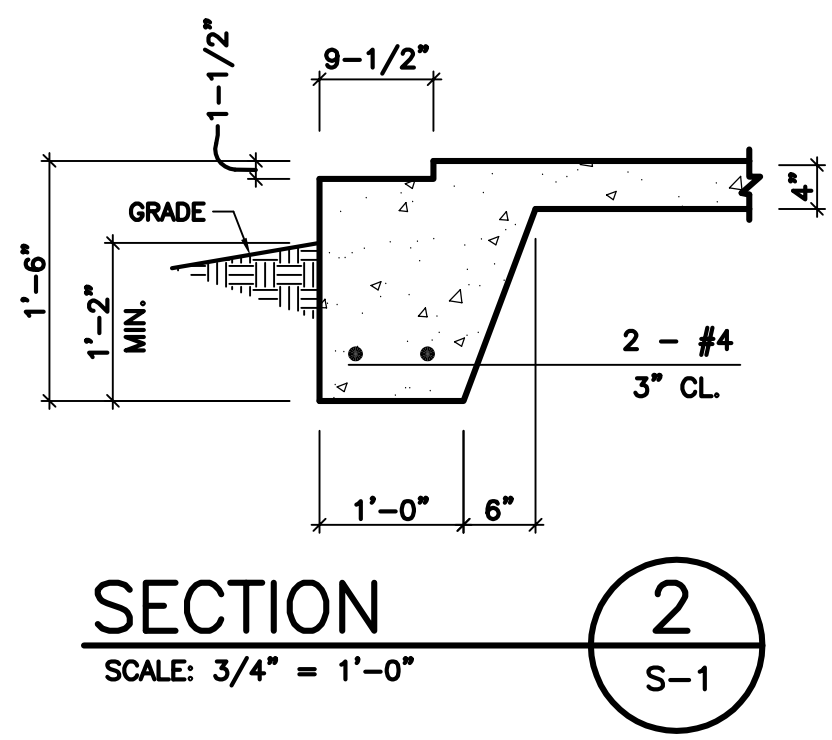
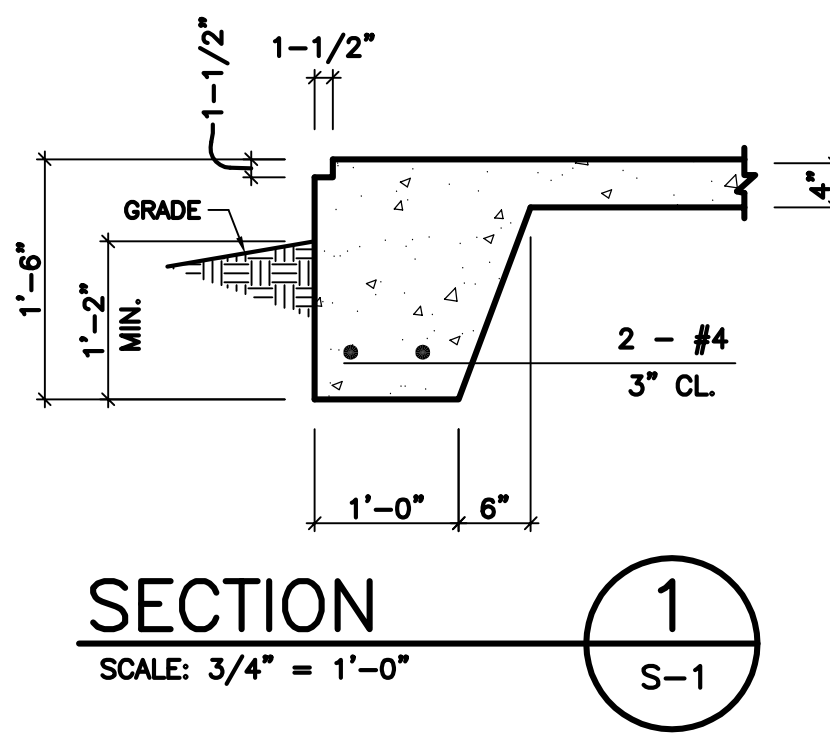
C.H. MOSS, P.E.
SOLE PROPRIETOR
P.O. BOX 28
COVINGTON, GA 30015
PH: (770) 786-3163

NO	DATE	REVISION	BY
1			
2			
3			
4			
5			

JOB NO. RD080A20	COMPUTED BY:	NR
DRAWN BY:	CHECKED BY:	HM
DATE: NOVEMBER 7, 2020	SCALE: 1/8" = 1'-0"	

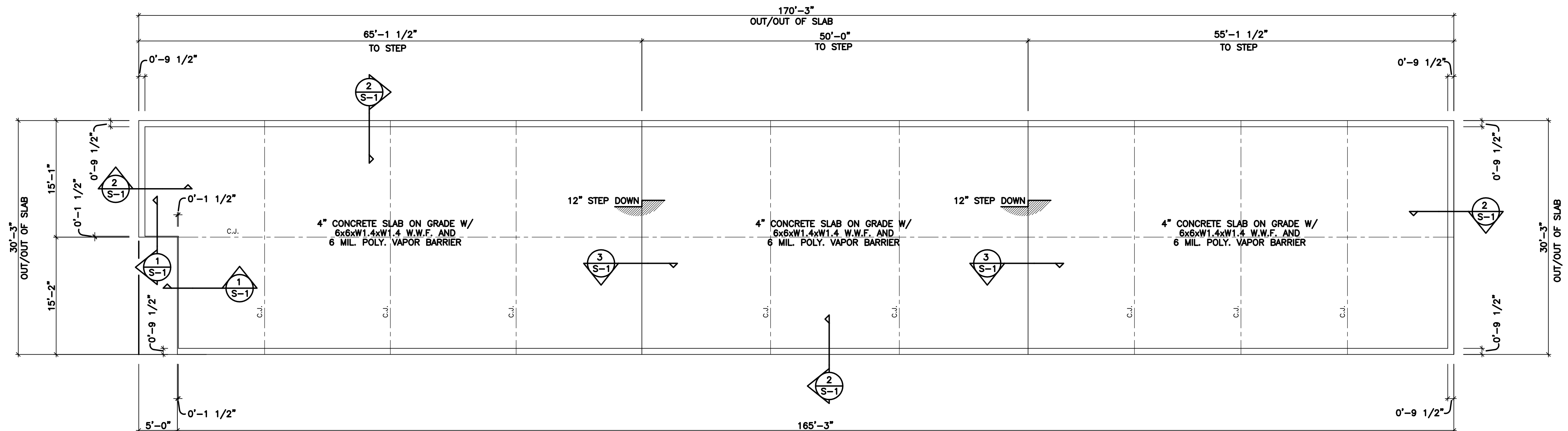
FOUNDATION PLAN FOR:
PINEY GROVE STORAGE
FUGQUAY VARINA, NC

DRAWING NUMBER	
2364	
SHEET	OF:
S-1	3

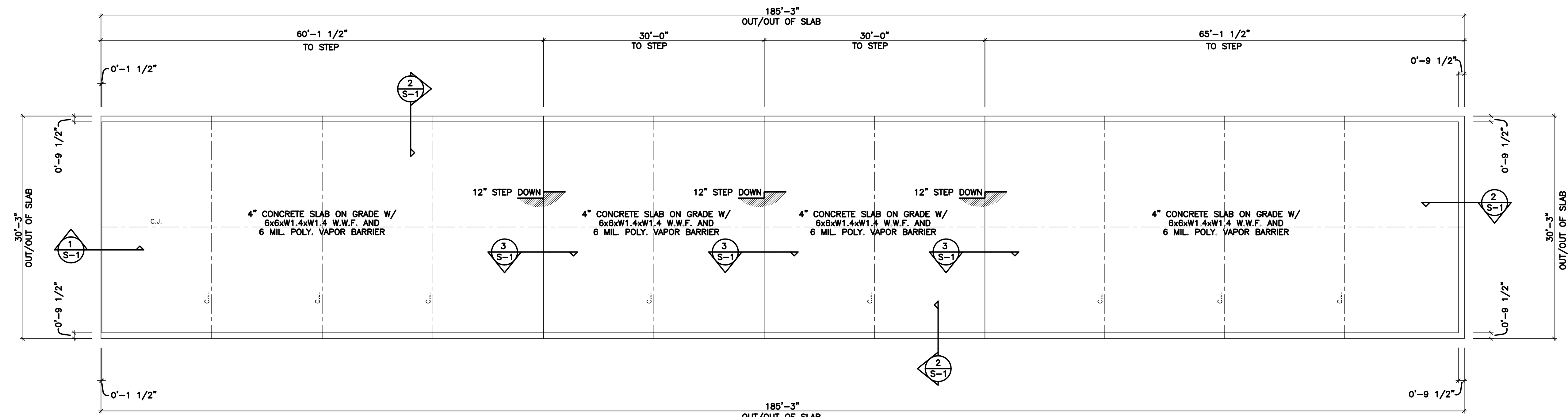


GENERAL NOTES

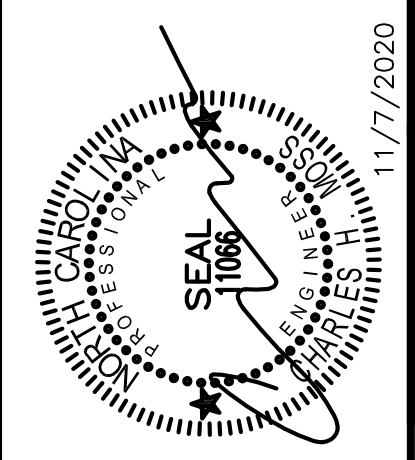
- CONTRACTOR SHALL BE RESPONSIBLE FOR BRACING ALL WORK DURING CONSTRUCTION.
- FOOTINGS ARE DESIGNED FOR AN ALLOWABLE BEARING CAPACITY OF 2000 P.S.F.
- CONCRETE SHALL HAVE A MINIMUM 28 DAY COMPRESSIVE STRENGTH OF 3000 P.S.I. WITH A 4" MAXIMUM SLUMP. DETAILS NOT SHOWN SHALL BE ACCORDING TO ACI 318 AND ACI 301 SPECIFICATIONS FOR CONCRETE CONSTRUCTION.
 - REINFORCING STEEL SHALL BE ASTM A-615 GRADE 60 (TIES MAY BE GRADE 40)
 - W.W.F. SHALL BE ASTM A-185
 - MINIMUM LAP: #4 - 28"
 - #5 - 32"
 - MINIMUM COVER: 3" U.N.O.
- C.J. ON PLANS INDICATE CONTROL JOINT 1/8" x 1" DEEP SAWN WITHIN 24 HOURS AFTER PLACING CONCRETE. METAL JOINT MATERIAL MAY BE USED.
- FOUNDATION BASED ON REACTIONS FURNISHED BY PEAK STEEL BUILDINGS DRAWING NO. RD080A20, DATED 11/4/2020.



FOUNDATION PLAN - BLDG C
SCALE: 1/8" = 1'-0"



FOUNDATION PLAN - BLDG D
SCALE: 1/8" = 1'-0"



C.H. MOSS, P.E.
SOLE PROPRIETOR
P.O. BOX 28
COVINGTON, GA 30015
PH: (770) 786-3163

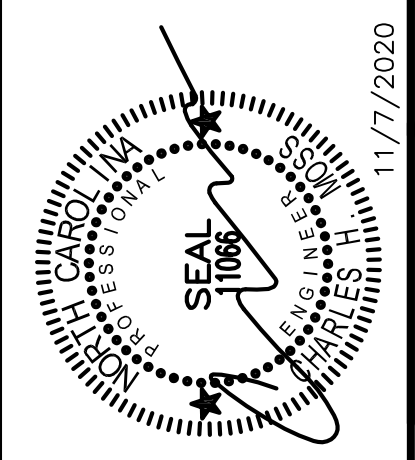
NO	DATE	REVISION	BY
1			
2			
3			
4			
5			

JOB NO. RD080A20	COMPUTED BY:	NR
DRAWN BY:	CHECKED BY:	HM
DATE: NOVEMBER 7, 2020	SCALE: 1/8" = 1'-0"	

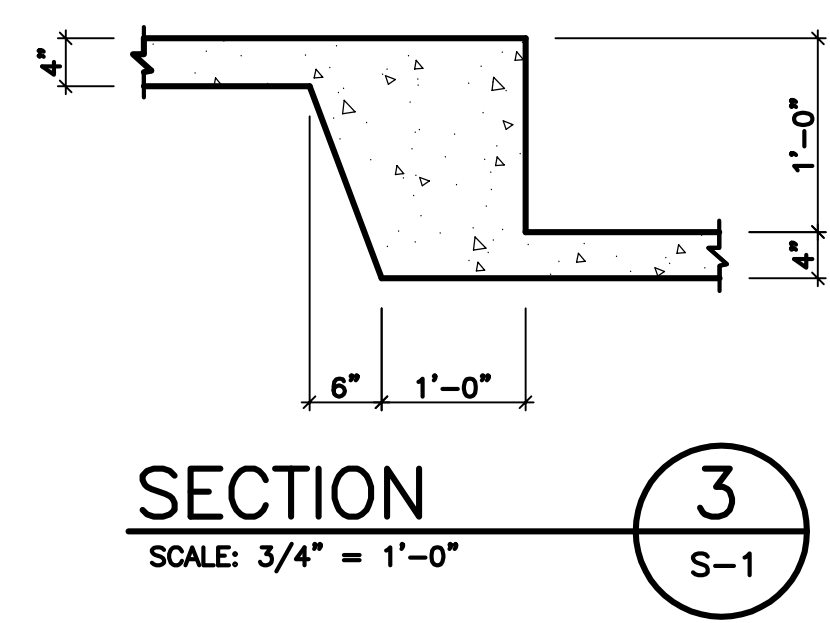
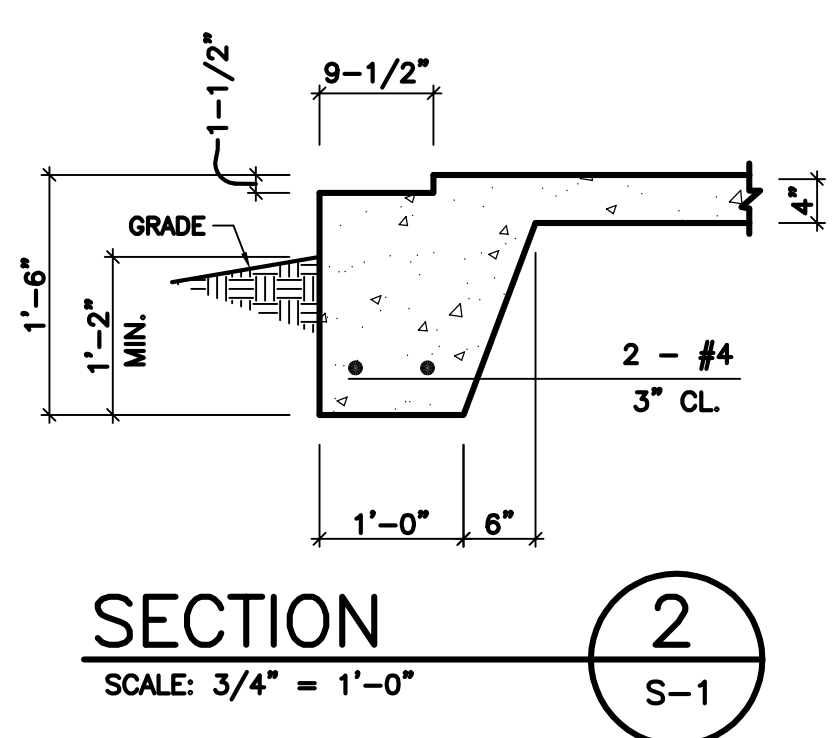
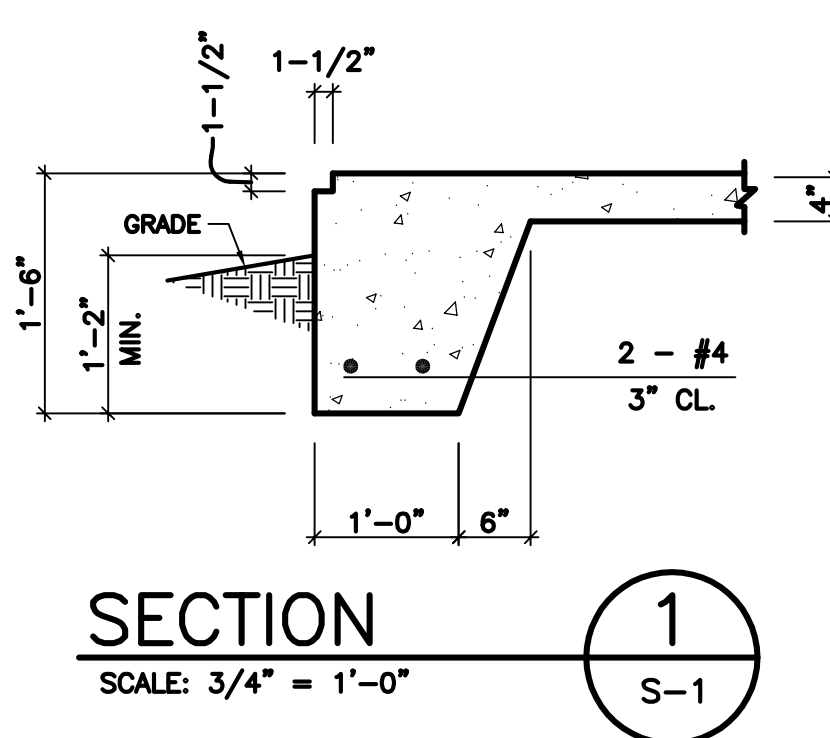
FOUNDATION PLAN FOR:
PINEY GROVE STORAGE
FUGQUAY VARINA, NC

DRAWING NUMBER
2364

SHEET	OF:
S-2	3

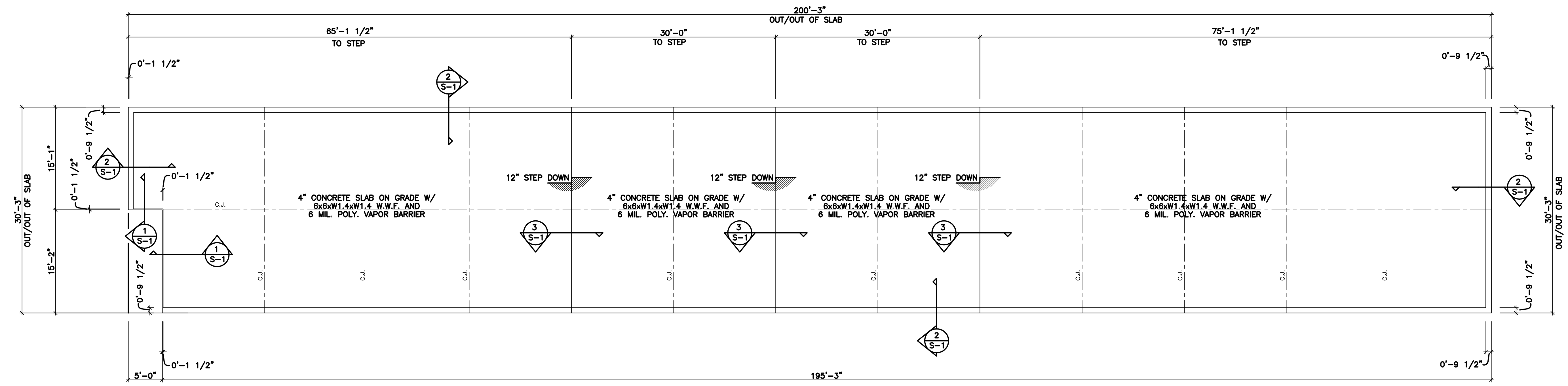


C.H. MOSS, P.E.
 SOLE PROPRIETOR
 P.O. BOX 28
 COVINGTON, GA 30015
 PH: (770) 786-3163

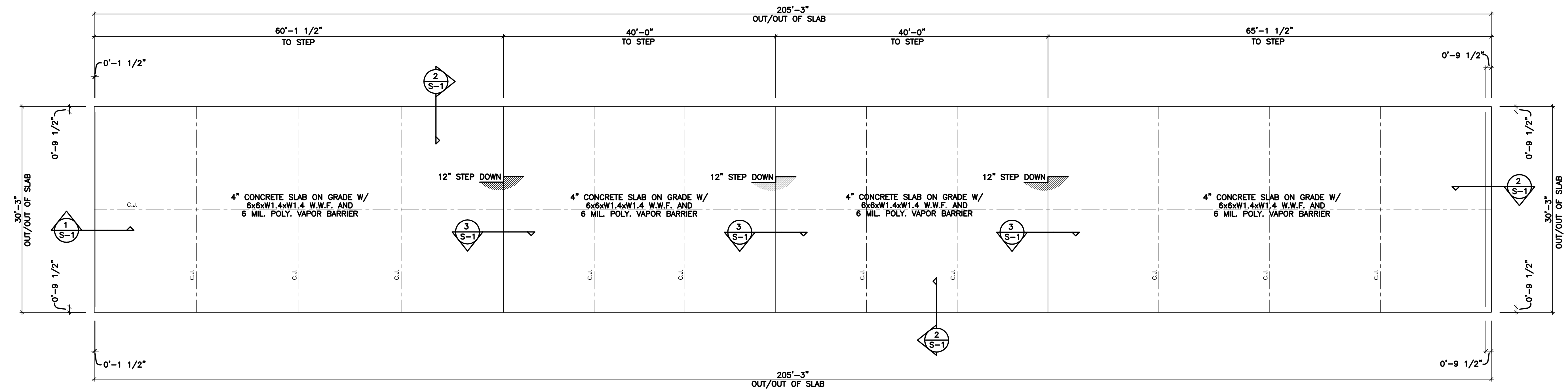


GENERAL NOTES

- CONTRACTOR SHALL BE RESPONSIBLE FOR BRACING ALL WORK DURING CONSTRUCTION.
- FOOTINGS ARE DESIGNED FOR AN ALLOWABLE BEARING CAPACITY OF 2000 P.S.F.
- CONCRETE SHALL HAVE A MINIMUM 28 DAY COMPRESSIVE STRENGTH OF 3000 P.S.I. WITH A 4" MAXIMUM SLUMP. DETAILS NOT SHOWN SHALL BE ACCORDING TO ACI 318 AND ACI 301 SPECIFICATIONS FOR CONCRETE CONSTRUCTION.
 - REINFORCING STEEL SHALL BE ASTM A-615 GRADE 60 (TIES MAY BE GRADE 40)
 - W.W.F. SHALL BE ASTM A-185
 - MINIMUM LAP: #4 - 28"
 - #5 - 32"
 - MINIMUM COVER: 3" U.N.O.
- C.J. ON PLANS INDICATE CONTROL JOINT 1/8" x 1" DEEP SAWN WITHIN 24 HOURS AFTER PLACING CONCRETE. METAL JOINT MATERIAL MAY BE USED.
- FOUNDATION BASED ON REACTIONS FURNISHED BY PEAK STEEL BUILDINGS DRAWING NO. RD080A20, DATED 11/4/2020.



FOUNDATION PLAN - BLDG E
 SCALE: 1/8" = 1'-0"



FOUNDATION PLAN - BLDG F
 SCALE: 1/8" = 1'-0"

NO	DATE	REVISION	BY
1			
2			
3			
4			
5			

JOB NO. RD080A20	COMPUTED BY:	NR
DRAWN BY:	CHECKED BY:	HM
DATE: NOVEMBER 7, 2020	SCALE: 1/8" = 1'-0"	

FOUNDATION PLAN FOR:
PINEY GROVE STORAGE
 FUGQUAY VARINA, NC

DRAWING NUMBER	
2364	
SHEET	OF:
S-3	3