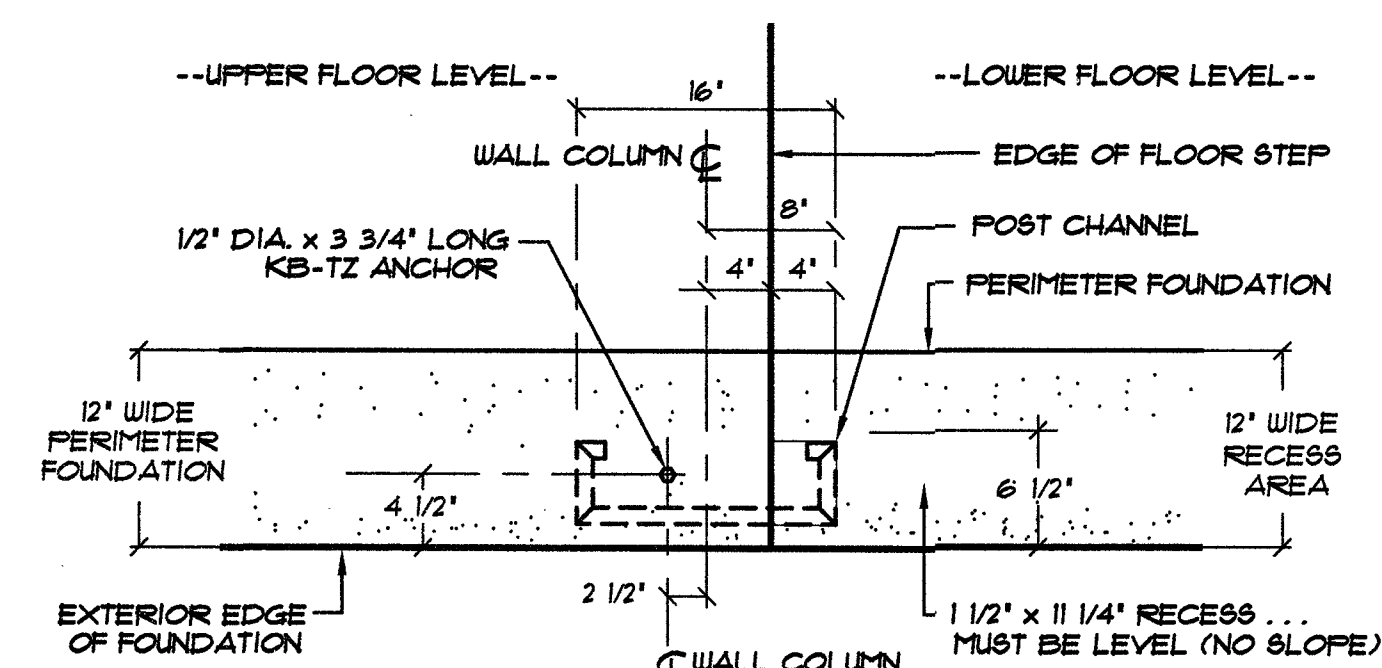
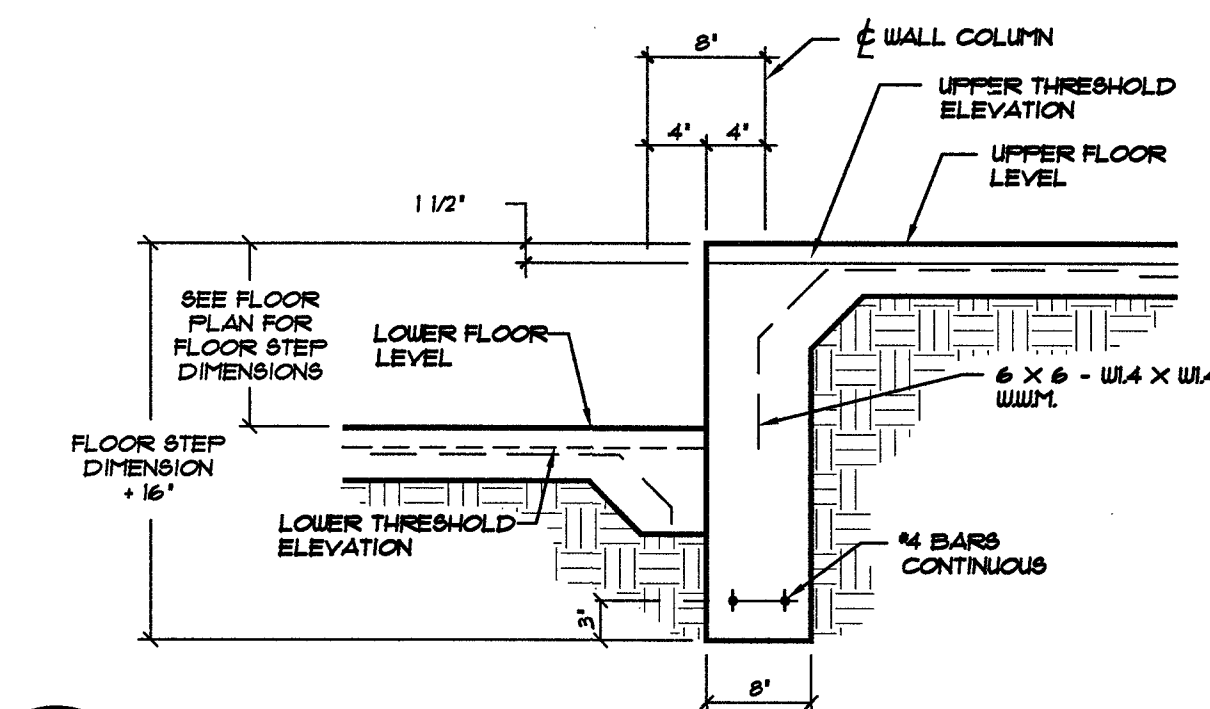


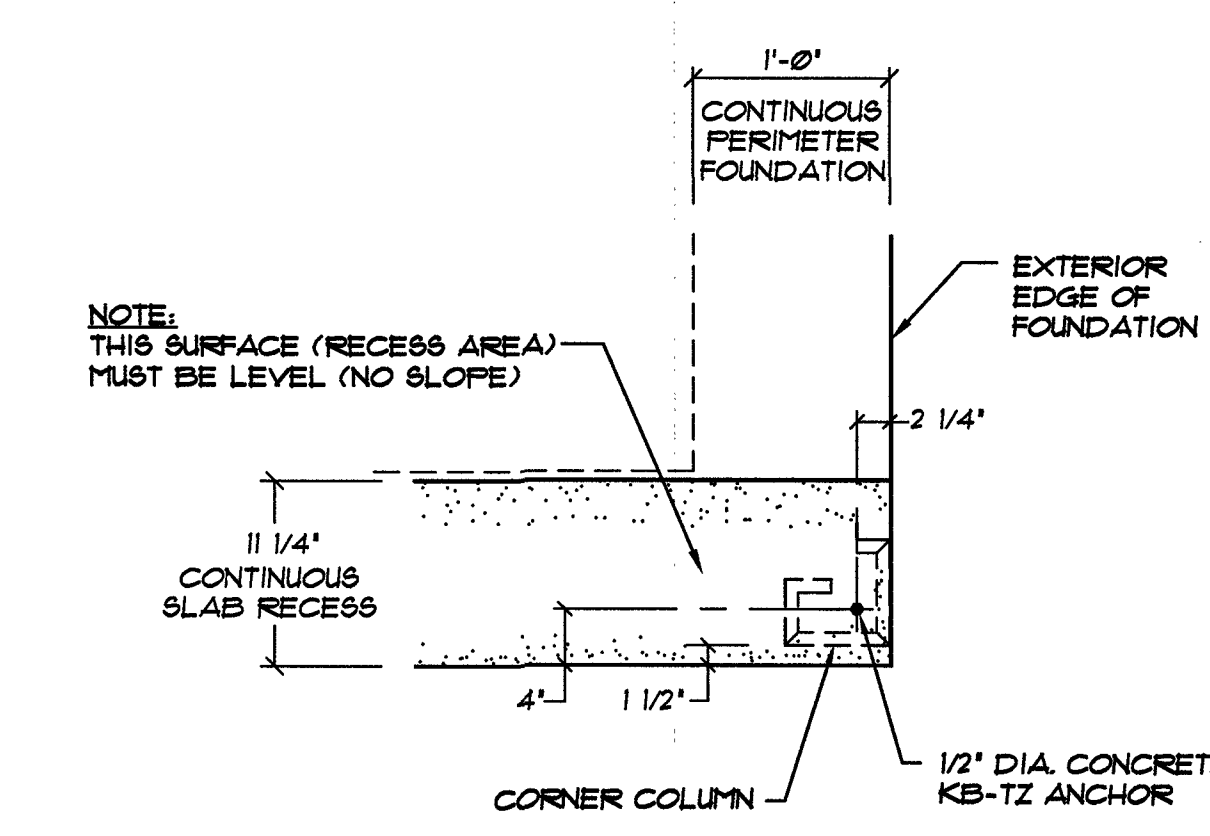
E F2 CONTROL JOINT & CONSTRUCTION JOINT IN CONCRETE SLAB
NOT TO SCALE



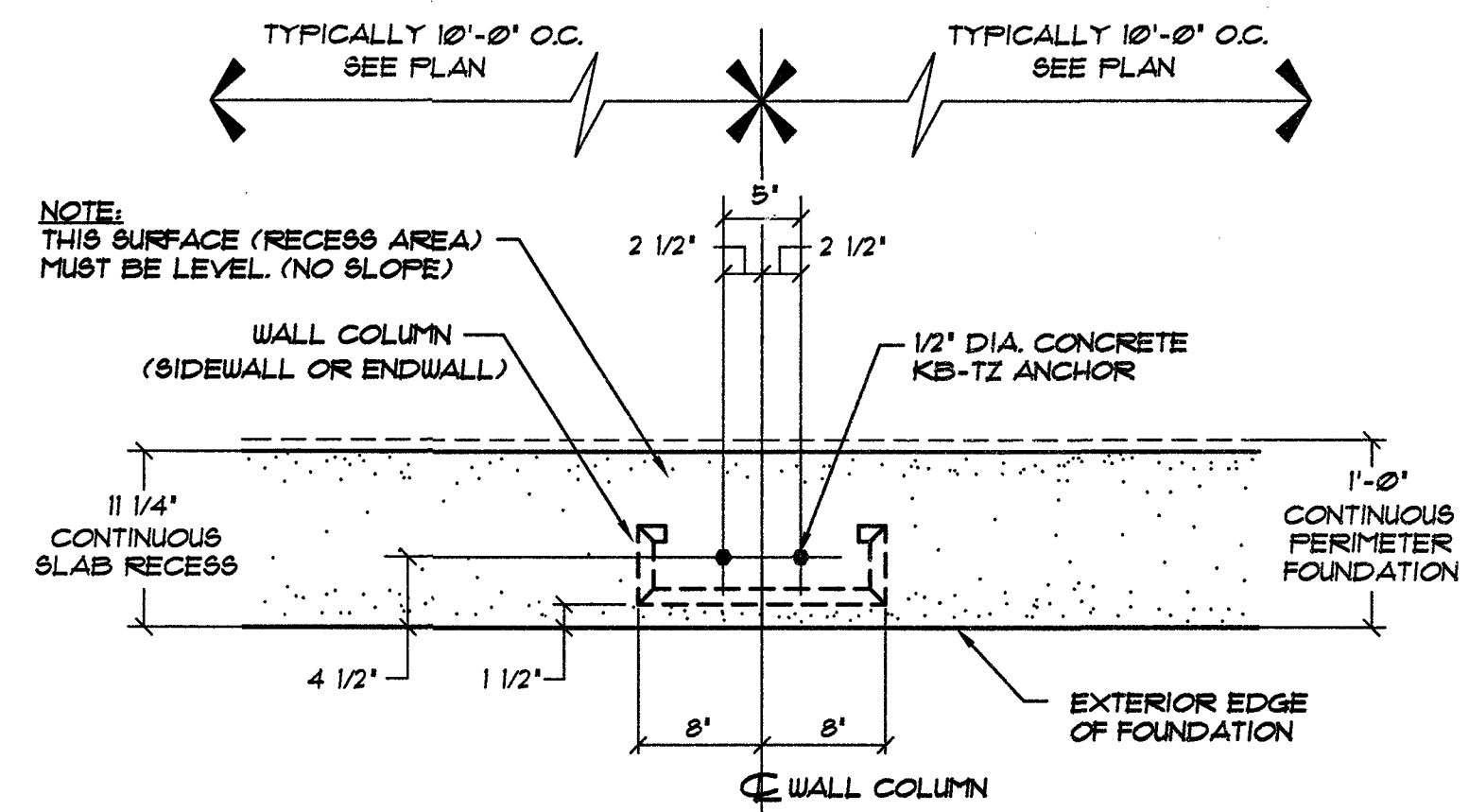
D F2 FLOOR STEPDOWN @ WALL COLUMN
NOT TO SCALE



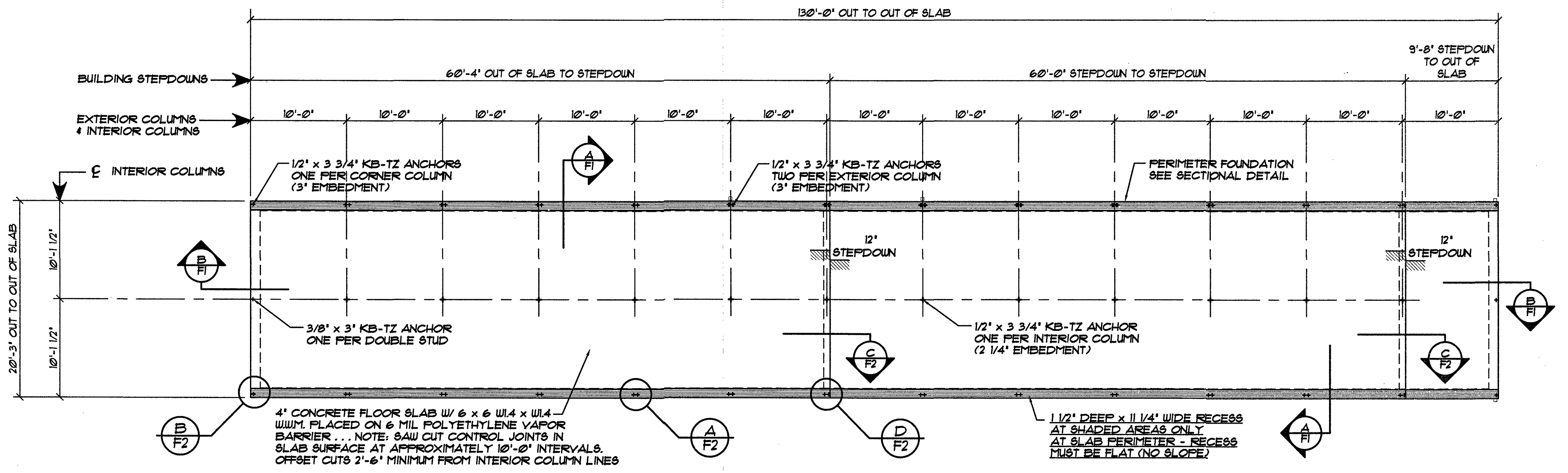
C F2 FOUNDATION SECTION @ FLOOR STEP
NOT TO SCALE



B F2 CORNER WEDGE ANCHORS AT STUD WALL
NOT TO SCALE



A F2 TYPICAL WALL COLUMN WEDGE ANCHORS
NOT TO SCALE

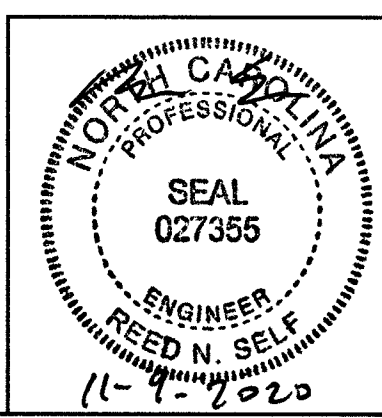


FOUNDATION PLAN... BUILDING "2"
SCALE: 1/8" = 1'-0"
SAW CUT CONTROL JOINTS IN SLAB SURFACE AT APPROXIMATELY 10'-0" INTERVALS... OFFSET CUTS 2'-6" MINIMUM FROM INTERIOR COLUMN LINES.

NOTE: KB-TZ ANCHORS ARE PROVIDED BY BETCO. EMBEDDED ANCHOR BOLTS IN SLAB ARE NOT REQUIRED BY BUYER.

NOTE: ... SEE OWNER FOR BUILDING ORIENTATION ON SITE

NOTE TO OWNER / CONTRACTOR:
DO NOT CUT SAW JOINTS ALONG COLUMN LINES. DOING SO WILL REDUCE THE STRUCTURAL CAPACITY OF THE BUILDING ANCHORAGE TO THE CONCRETE AND MAY RESULT IN ADDITIONAL MATERIAL AND LABOR CHARGES. SAW CUTS MUST BE OFFSET 2'-6" MINIMUM FROM COLUMN LINES.



DATE:	11/05/20
DRAWN BY:	K. MACLAY
SCALE:	AS NOTED
APPROVED BY:	
REVISIONS:	
DATE:	BY:



PROJECT NAME:	MY STORAGE UNIT
PROJECT ADDRESS:	LILLINGTON, NORTH CAROLINA
OWNER:	MY STORAGE UNIT, LLC.
SHEET TITLE:	F FOUNDATION PLAN, DETAILS & NOTES BUILDING "2"
PROJECT NO.:	NC20251
DRAWING NUMBER:	F2 of 2