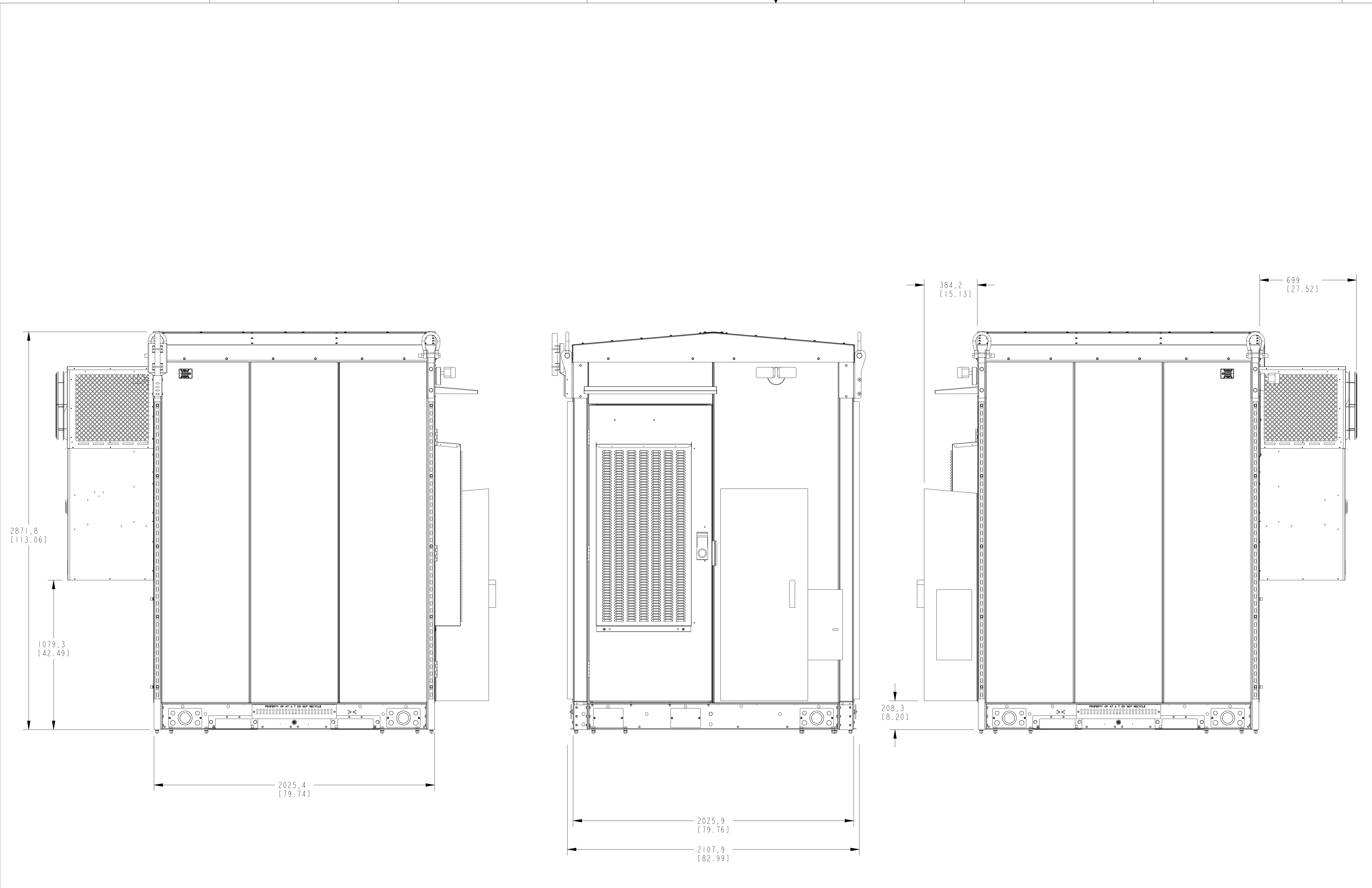


D

C

B

A



CD NO	REV	DESCRIPTION	APPROVED BY:	DATE
225752	A	PRODUCTION RELEASE	DS	08MAR19
225687	B	REPLACED BELOW PART NUMBERS PN 564400 TO PN 565723 SS# 47 PN 564999 TO PN 565724 SS# 188 PN 565000 TO PN 565725 SS# 189 PN 564406 TO PN 565727 SS# 2 PN 145342 TO PN 152086 SS#33 PN 564402 TO PN 565749 SS# 119 PN 565127 TO PN 565718 SS# 117 REMOVED PN 550633 SS# 207 REMOVED PN 554865 SS#35 CHANGED QUANTITY OF BELOW HARDWARES P34222 170 TO 130 NO SS#12 P11594 188 TO 129 NOS. SS#8 P11596 111 TO 87 NOS. SS#9 REMOVED SCREW P49402 SS#7 ADDED PART P34573 QTY-44 NOS. UPDATED THE DRAWING TO REFLECT THE CHANGES IN THE ASM 565629,565632 & 565634	MP	03MAY19
225686	C	ADDED SCREW 139410 QTY-20 SS#23 QUANTITY OF P06816 CHANGED FROM 24 TO 44 SS#198 P34224 CHANGED FROM 18 TO 38 SS#111 P34223 CHANGED FROM 83 TO 166 SS#36 119821 CHANGED FROM 93 TO 171 SS#152 P93855 CHANGED FROM 88 TO 161 SS#148 CHANGED THE QUANTITY OF PART 564389 FROM 4 TO 2 SS#46 ADDED PART 565978 SS#222 & PART565979 SS#223 UPDATED THE DRAWING TO REFLECT THE CHANGES DONE IN PN 564418, 564419, 564497, 565630, 565635, 565633, 565632, 565626, 565630, 564397, 564398 & 565748. REPLACED LED KIT PN 564704 WITH E911189 SS#138	AT MP	07JUN19 07JUN19
225929	D	UPDATED THE DRAWING TO REFLECT THE CHANGES DONE ON PN 565840 SS# 121 AT SHEET 8	AMP MP	07JUN19 07JUN19
1005106	E	MOVED ATS 151840, SS# 80 ON SHEET 8 TO DOWN BY 107 & REGENERATED THE DRAWING TO REFLECT THE CHANGES DONE ON PN 565532,SS 40 ON SHEET 3, PN 151910,SS 76 & PN 151124,SS 87 ON SHEET 4	MK MP	17OCT19 17OCT19
1008149	F	REMOVED PN P3682 QTY: 21 FROM 61 SS# 11, CHANGED THE QTY. PN P34573 QTY. FROM 44 TO 65 SS# 218 AND PN P11994 QTY. FROM 129 TO 130 SS# 18 AND ADDED VIEW TO SHOWN CHANGES ABOVE ON SHEET 2 AT ZONE A.7.	AMP MP	30JAN20 30JAN20
1009202	G	REPLACED THE PN 565526 WITH PN 1001782 QTY: 1 SS#42 PN 56520 WITH PN 1001171 QTY:1 SS#43, PN 151920 WITH PN 1001173 QTY: 1 SS#70, PN 151916 WITH PN 1001174 QTY:1 SS#77, PN 151921 WITH PN 1001172 QTY:1 SS#78 AND PN 565202 WITH PN 1001628 QTY:1 SS#133 REMOVED 565635 AND 565680 EACH QTY:1 SS#200, SS#215 RESP. CHANGED QTY. FROM 4 TO 2 19839 SS#206, FROM 80 TO 79 PN P34225 SS#4 AND FROM 27 TO 25 PN P3676 SS#199 ADDED GASKET 126186 QTY: 11 & 17.	AMP MP	09MAR20 09MAR20
1009347	H	REGENERATED DRAWINGS TO REFLECT CHANGE DONE ON PN 565478 SS#129 ON SHEET 6.	AS MP	31MAR20 31MAR20
1010322	J	SHIFT GROUND BAR 4" TOWARDS THE DOOR, P10; D:5; D:6 398, 130.7 MM	NNC MP	08APR20 08APR20
1010780	K	P2:REPLACE PN 565033 BY PN 10012359 SS# 192 QTY 1, PN 565032 BY PN 10012401 SS#191 QTY 1 P3:ADD NOTE 2, REPLACE CATCH PLATE REPLACE PN 565022 BY PN 10012357 SS#40 QTY 1 PN: ADD PN 10012301 SS#225 QTY 1, PN P06302 SS#226 QTY 2 CHANGE QTY OF P06816 44 TO 46 SS#198, P15666 20 TO 22 SS#197 ADD PN 137789 SS#149 ON PN 10012357	NNC MP	17APR20 17APR20
1012633	L	P7; D5,D6 ADD QTY 6, PN P3676 SS199 & P34225 SS64.	MK MP	05JUN20 05JUN20

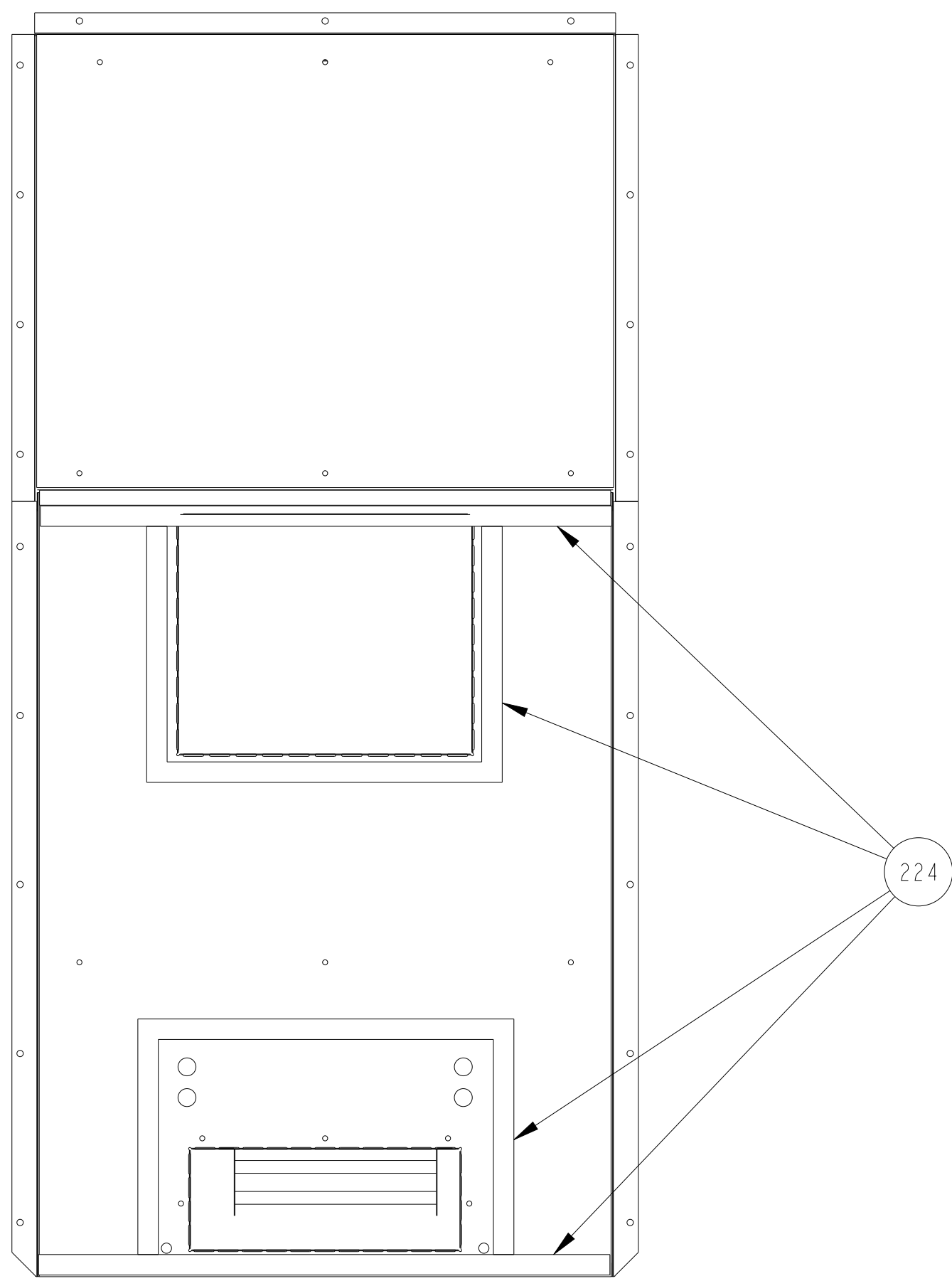
D

C

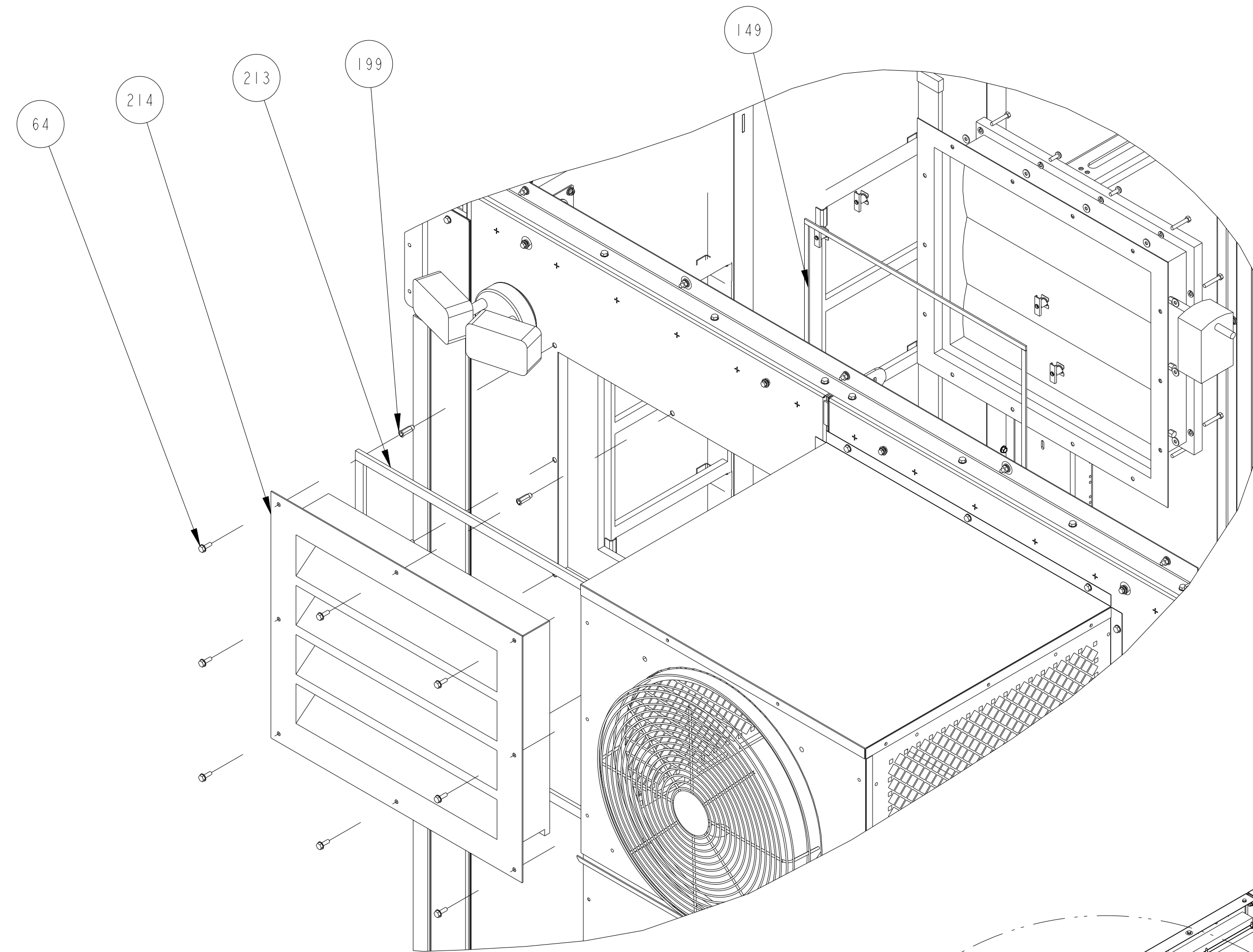
B

A

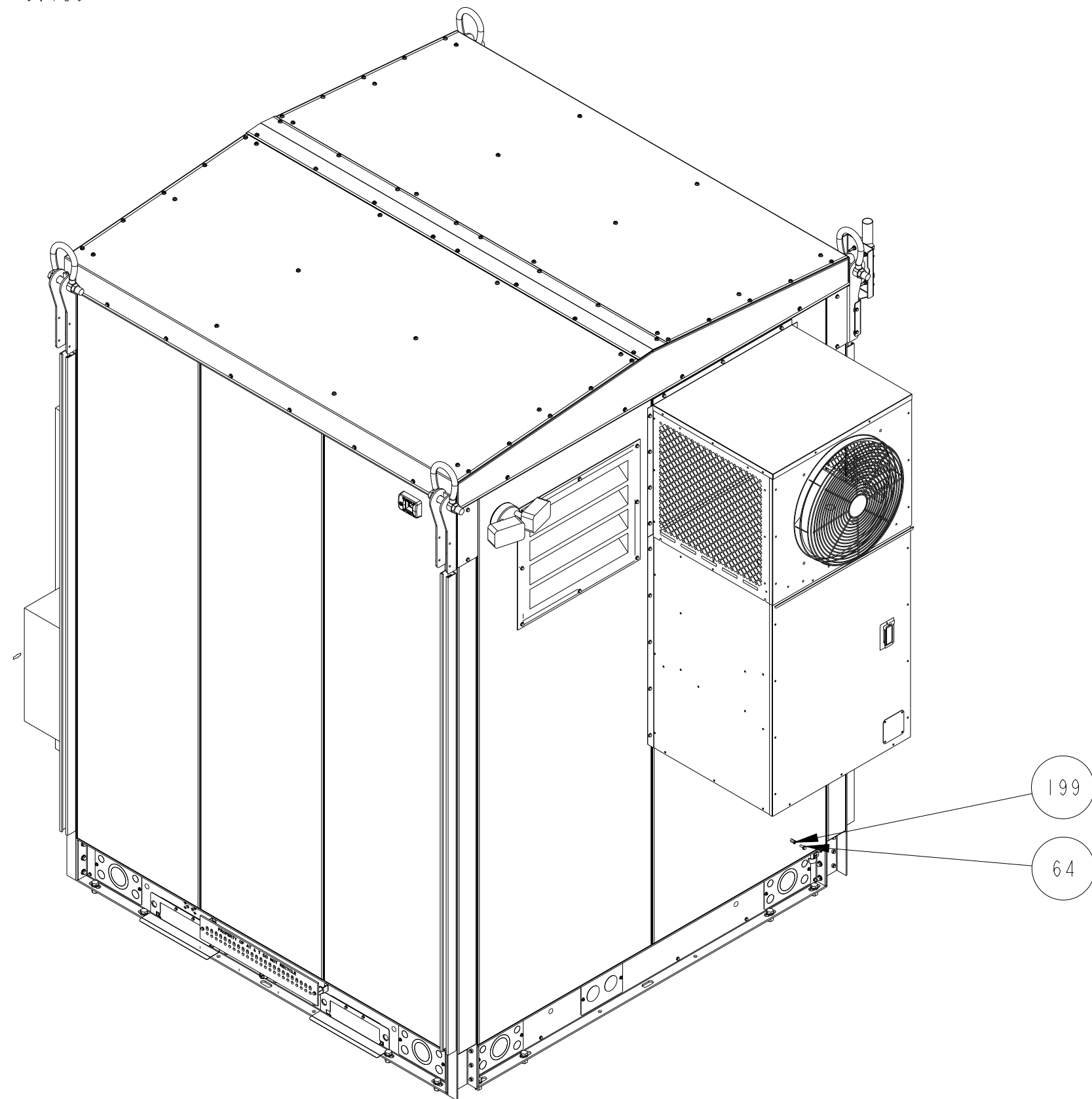
CORPORATE CASE CODE 1EDCC	100 DEARBORN DRIVE COLUMBIANA, OHIO 43081	PART NUMBER	DESCRIPTION
<small>THIS DOCUMENT AND THE INFORMATION CONTAINED HEREIN ARE THE PROPERTY OF VERTIV INC. AND ARE UNCLASSIFIED. IT IS TO BE CONTAINED WITHIN THE PROTECTION OF THE DOCUMENT AND ALL INFORMATION CONTAINED HEREIN IS UNCLASSIFIED. ANY REPRODUCTION, DISTRIBUTION, OR DISSEMINATION OF THIS DOCUMENT OR THE INFORMATION CONTAINED HEREIN WITHOUT THE EXPRESS WRITTEN PERMISSION OF VERTIV INC. IS PROHIBITED. VERTIV INC. IS NOT RESPONSIBLE FOR ANY DAMAGE TO PROPERTY OR PERSONS RESULTING FROM THE USE OF THIS DOCUMENT.</small>			
MATERIAL: NONE FINISH: NONE NONE		UNUSUAL FEATURES SPECIFIED TO FABRICATE: NONE NONE NONE	
DESIGNED BY: DS	DATE: 02NOV18	WEIGHT: 1/10	CONTROL CHECKED BY: C
DRAWN BY: DS		DATE: 02NOV18	SCALE: D 0.075
FORM NO. OPERATOR REV G		SIZE: D 0.075	DOCUMENT NUMBER: F1011163
		REV L	REV L



GASKET INSTALLATION
SCALE 0.150

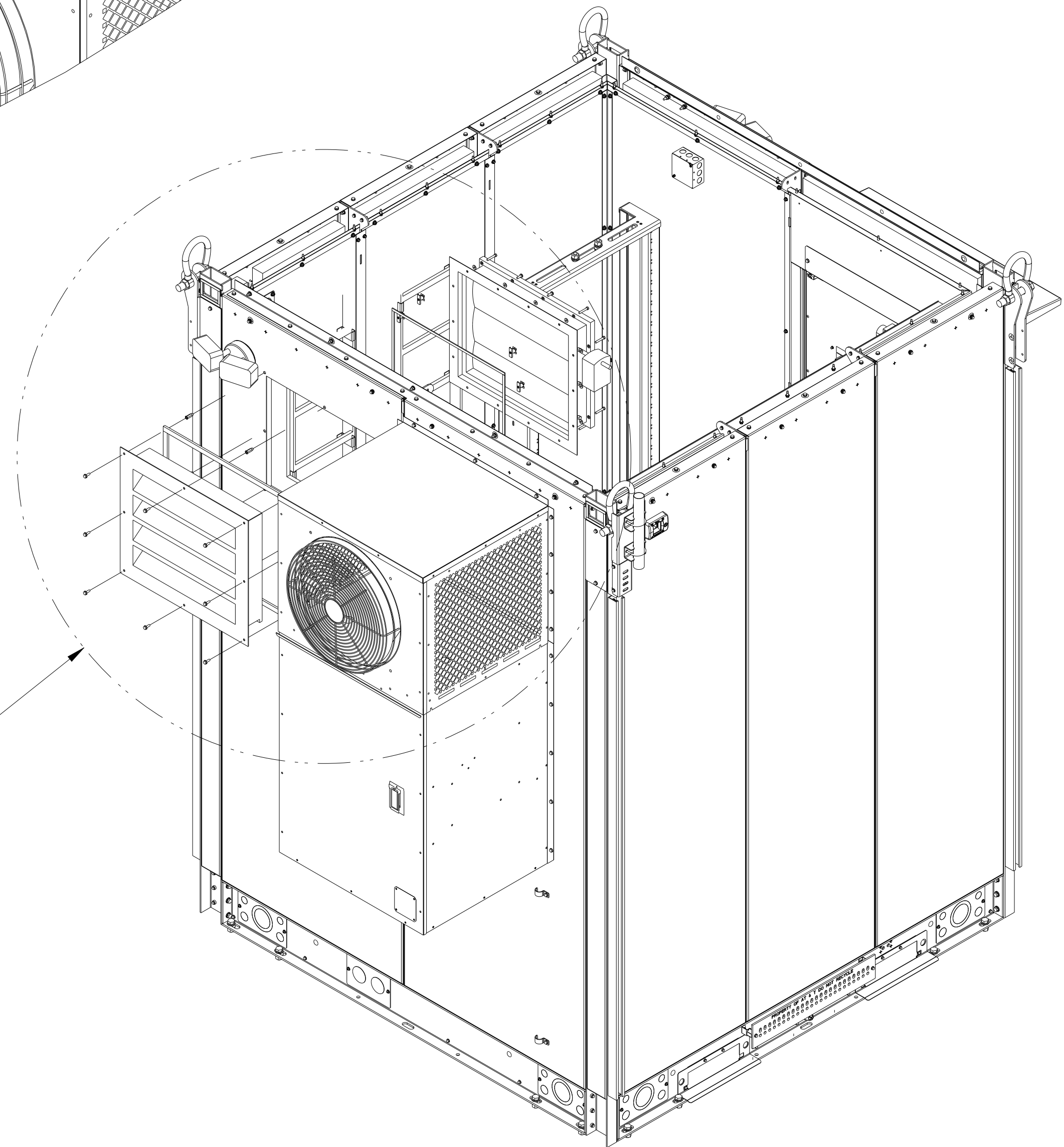


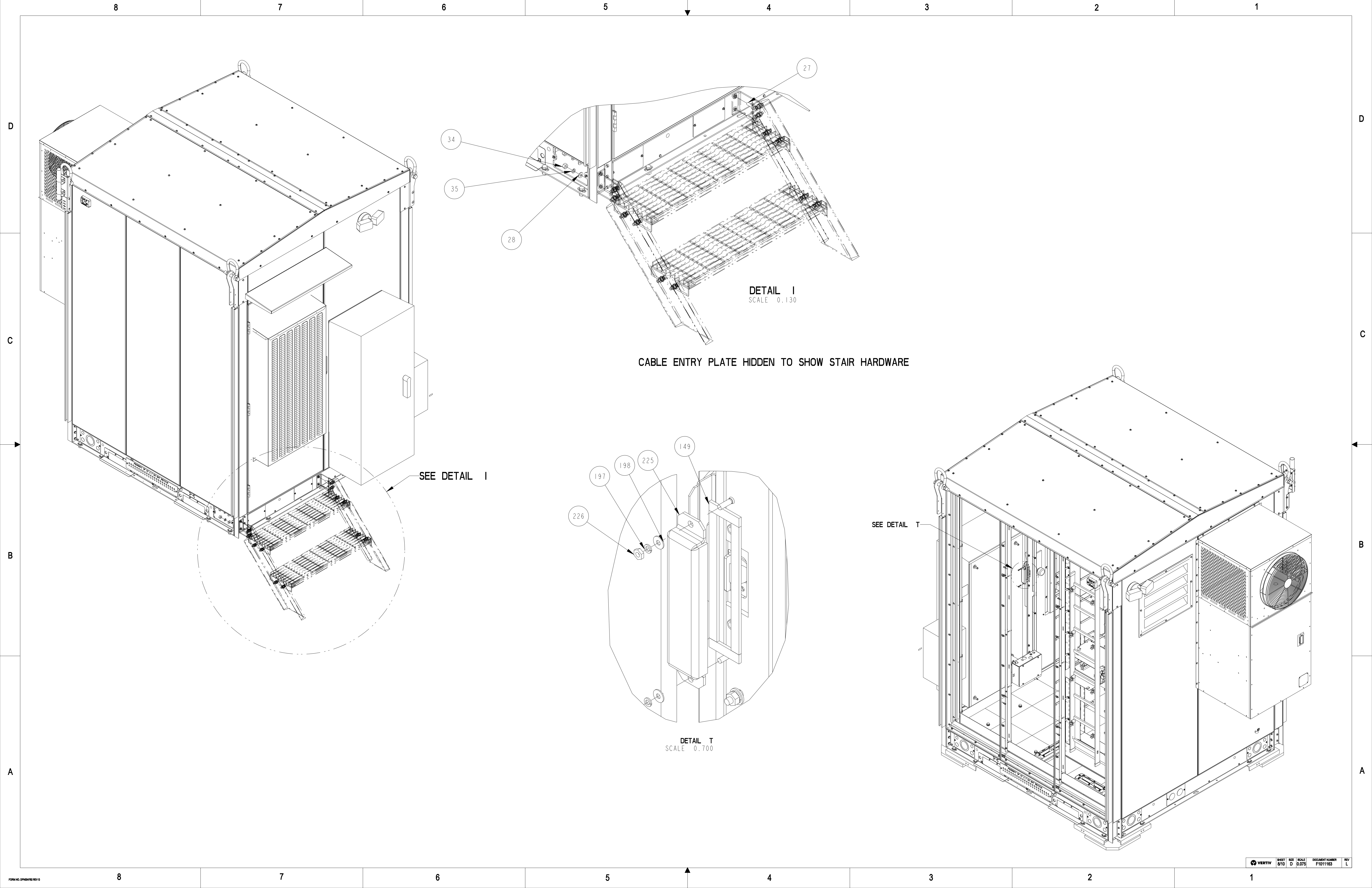
DETAIL J
SCALE 0.150



SCALE 0.055

SEE DETAIL J





DETAIL I
SCALE 0.130

CABLE ENTRY PLATE HIDDEN TO SHOW STAIR HARDWARE

DETAIL T
SCALE 0.700

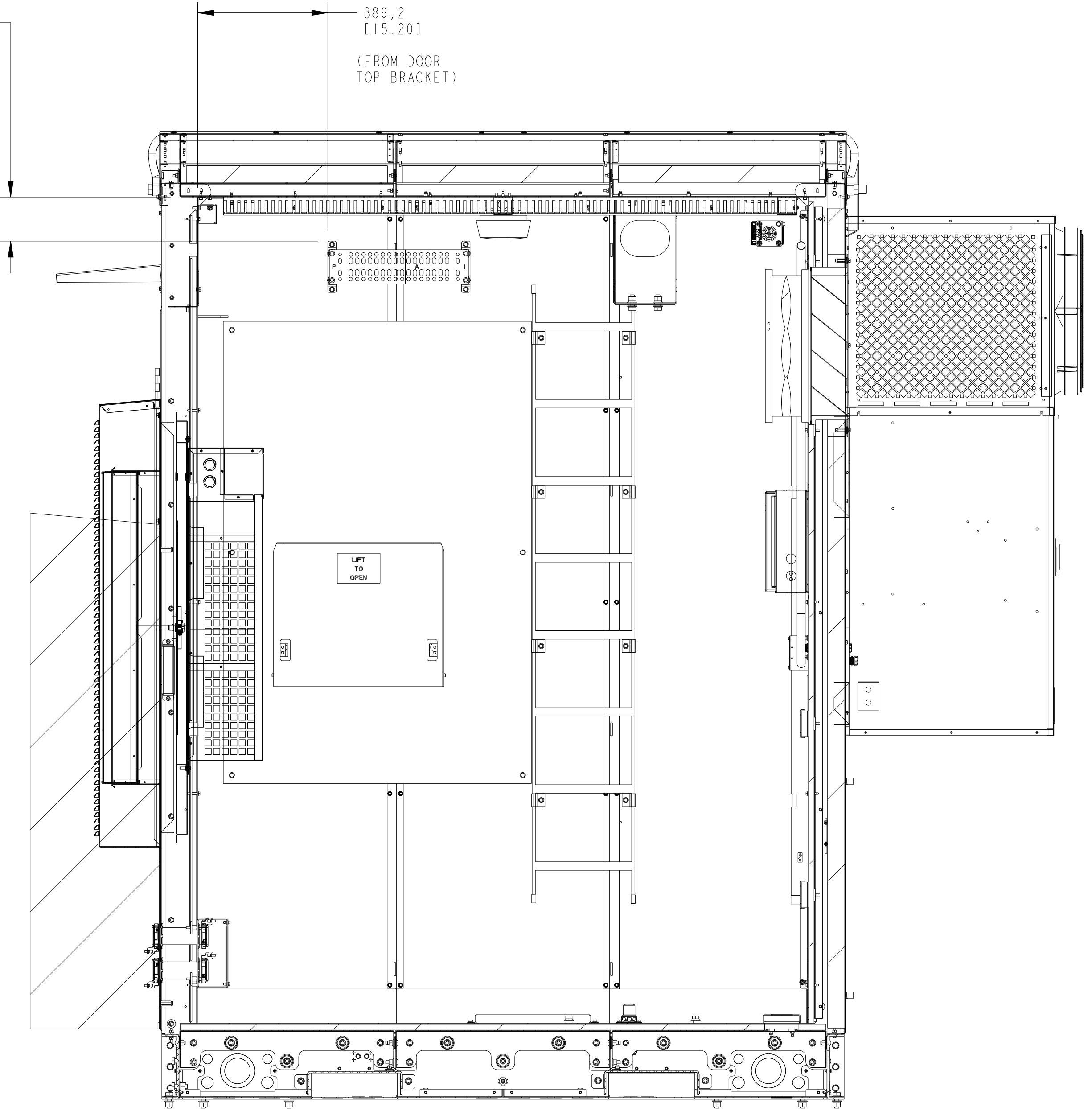
8 7 6 5 4 3 2 1

D

D

130,7
[5.15]
(FROM INSIDE OF
CEILING WALL)

386,2
[15.20]
(FROM DOOR
TOP BRACKET)



SECTION A-A
SCALE 0.100

C

C

B

B

A

A

8 7 6 5 4 3 2 1

8 7 6 5 4 3 2 1

D

D

C

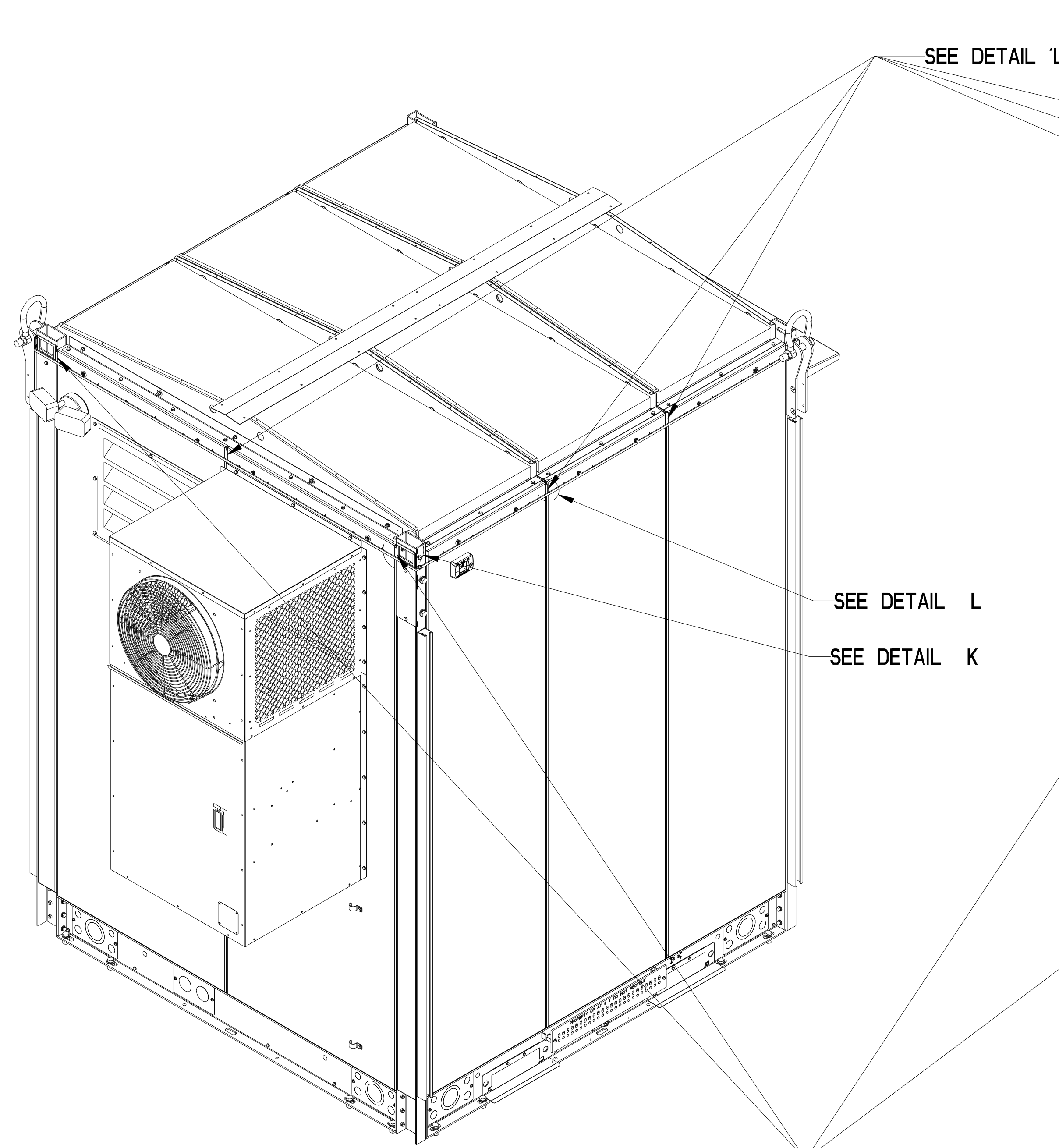
C

B

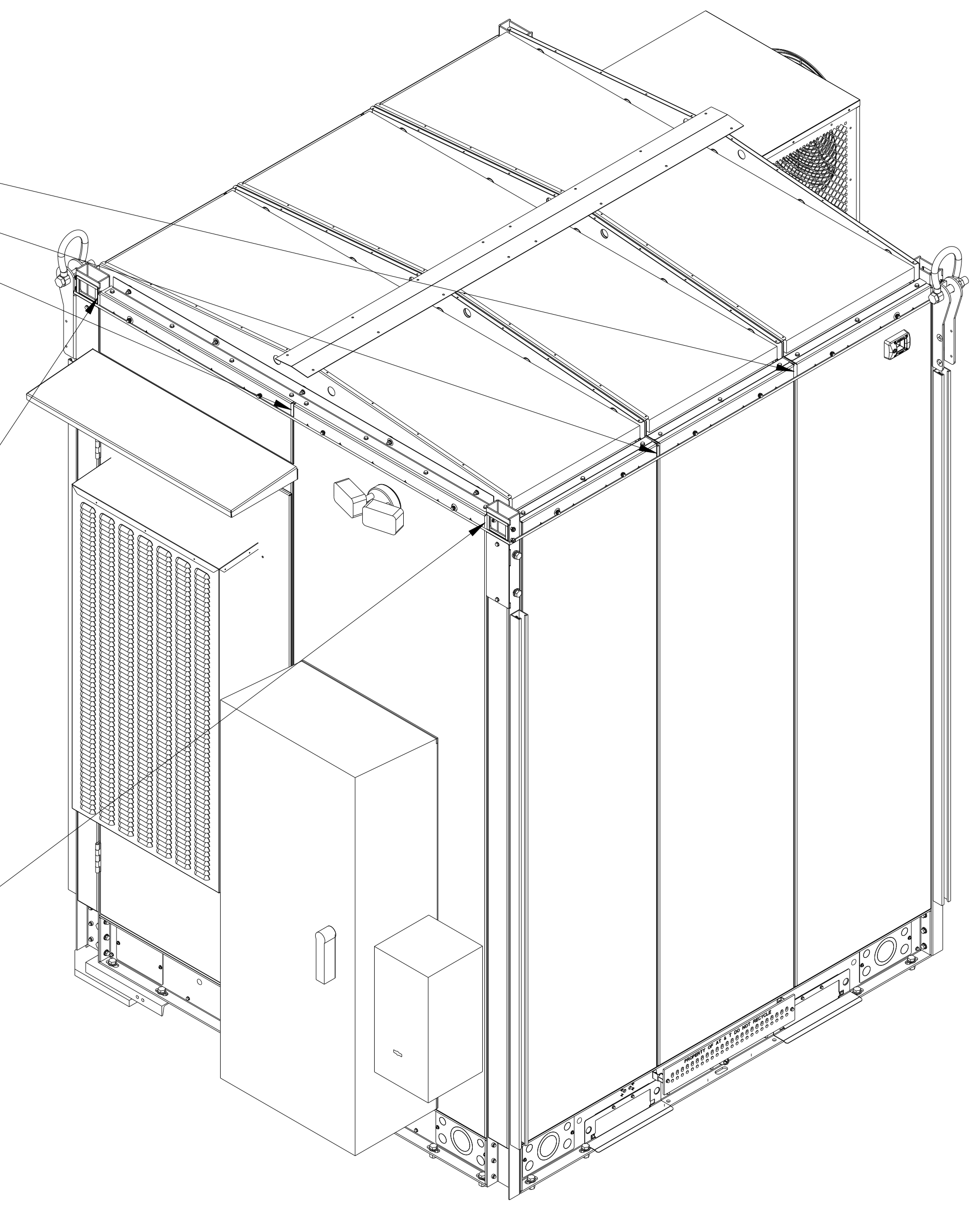
B

A

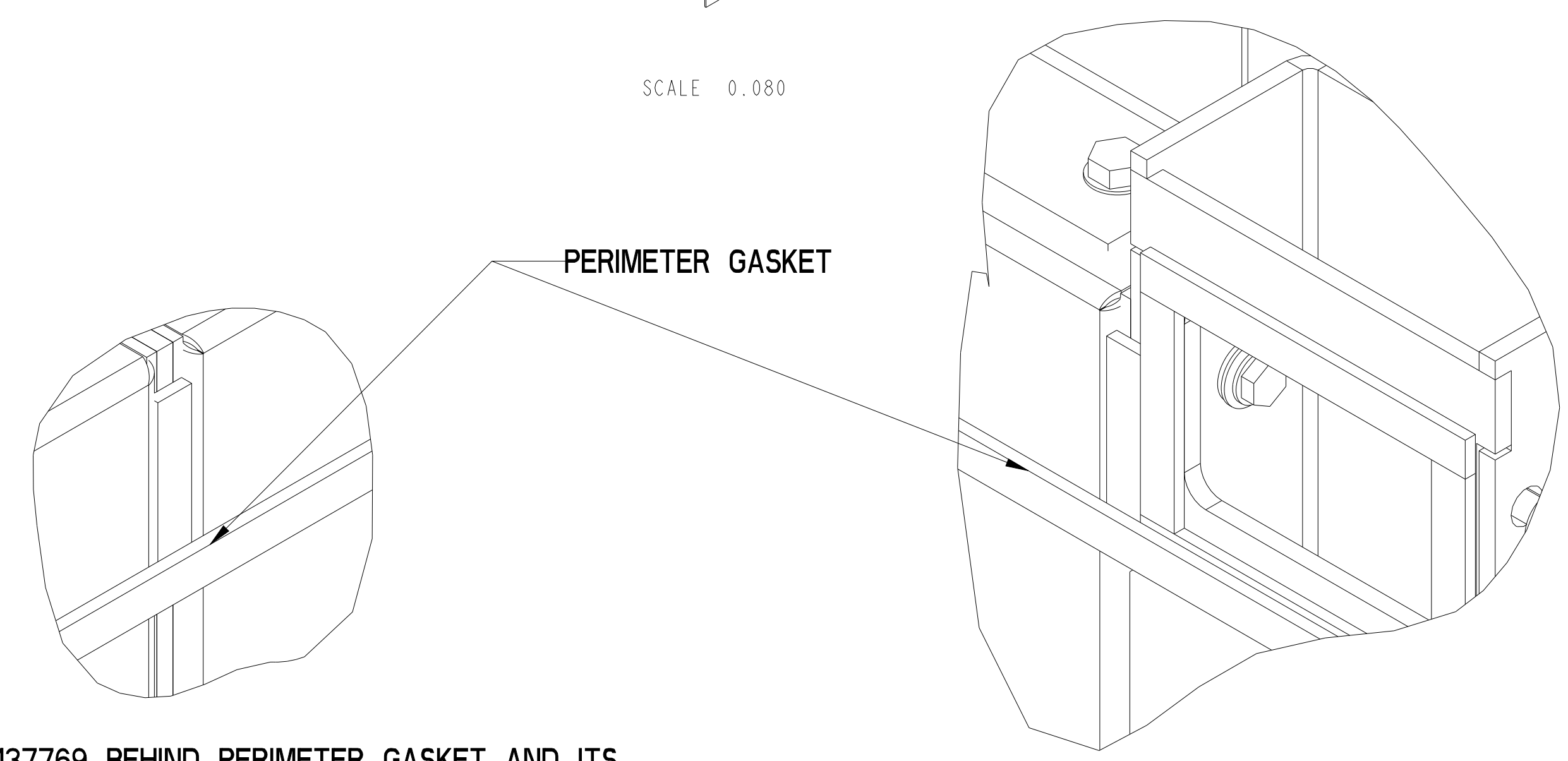
A



SCALE 0.080



SCALE 0.080



APPLY GASKET 137769 BEHIND PERIMETER GASKET AND ITS FLUSH WITH BOTTOM OF PERIMETER GASKET. THIS WILL BE APPLY AT ALL FOUR CORNERS. IN THIS VIEW GPS ASSEMBLY REMOVED TO SHOW CLEAR VIEW OF GASKET.

APPLY GASKET 137769 BEHIND PERIMETER GASKET AND ITS FLUSH WITH BOTTOM OF PERIMETER GASKET. AT ALL 6 SEAM LOCATION

DETAIL L
SCALE 1.000

DETAIL K
SCALE 1.000

8 7 6 5 4 3 2 1