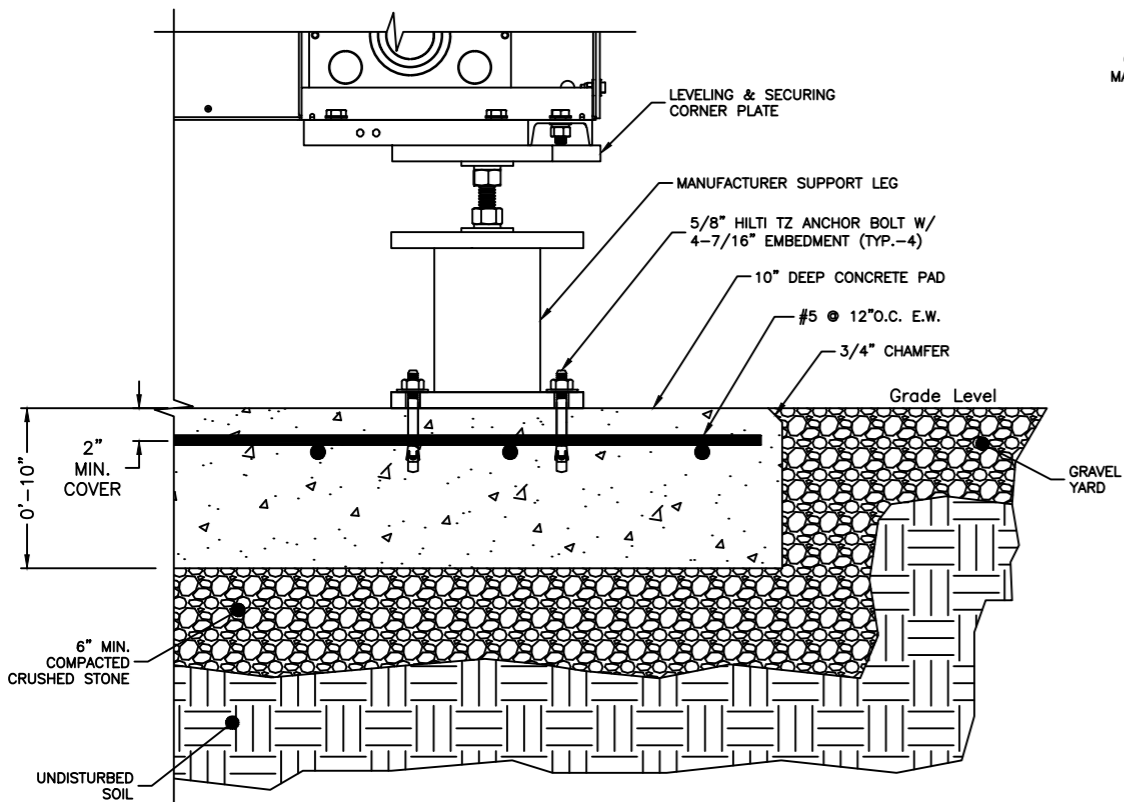


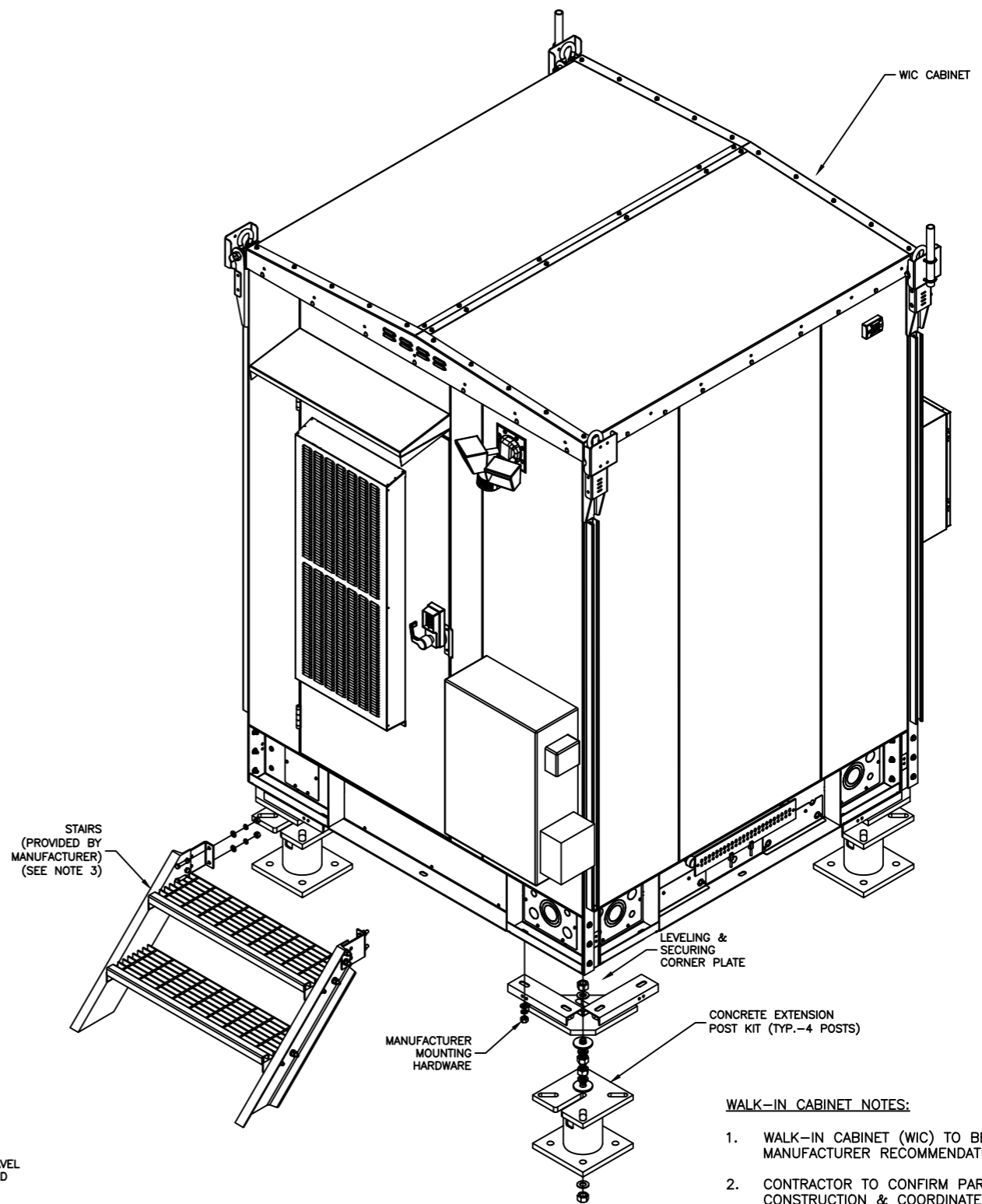
**WIC FOUNDATION DETAIL**

11"x17" SCALE: 3/8" = 1'-0"



**WIC BASE SECTION**

11"x17" SCALE: 1" = 1'-0"



**WIC ISOMETRIC**

11"x17" SCALE: N.T.S.

**WALK-IN CABINET NOTES:**

1. WALK-IN CABINET (WIC) TO BE INSTALLED ACCORDING TO MANUFACTURER RECOMMENDATIONS & SPECIFICATIONS.
2. CONTRACTOR TO CONFIRM PARTS & HARDWARE PRIOR TO CONSTRUCTION & COORDINATE WITH AT&T CM.
3. FOUNDATION TO BE FLUSH WITH EXISTING GRADE. CONTRACTOR SHALL MAINTAIN A MAXIMUM 18" CLEARANCE FROM GRADE TO BOTTOM OF WIC TO ACCOMMODATE STAIRS. VERIFY IN FIELD PRIOR TO POST INSTALLATION.
4. COORDINATE POWER & TELCO CONDUIT STUBUP PLACEMENT WITH ELECTRICAL TRADES. SEE E-1 FOR ADDITIONAL INFORMATION.
5. PROVIDE WORKING HVAC AND ELECTRICAL WORKING SPACE CLEARANCES PER MANUFACTURER RECOMMENDATIONS & CODE REQUIREMENTS.
6. WIC DIMENSIONS: 6'-8"W X 6'-8"L X 9'-6" TALL (NO BASE)  
WIC WEIGHT: 5500 LBS (EMPTY) 7500 LBS (FULLY INTEGRATED)
7. CONTRACTOR TO PROVIDE AND INSTALL SPECIFIED CONCRETE ANCHORS.