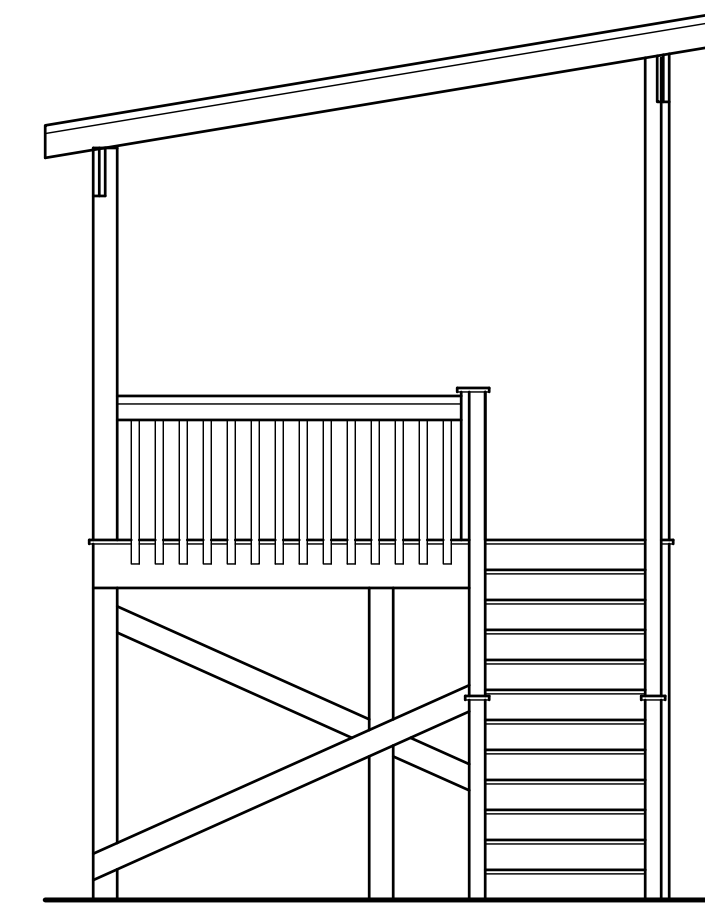
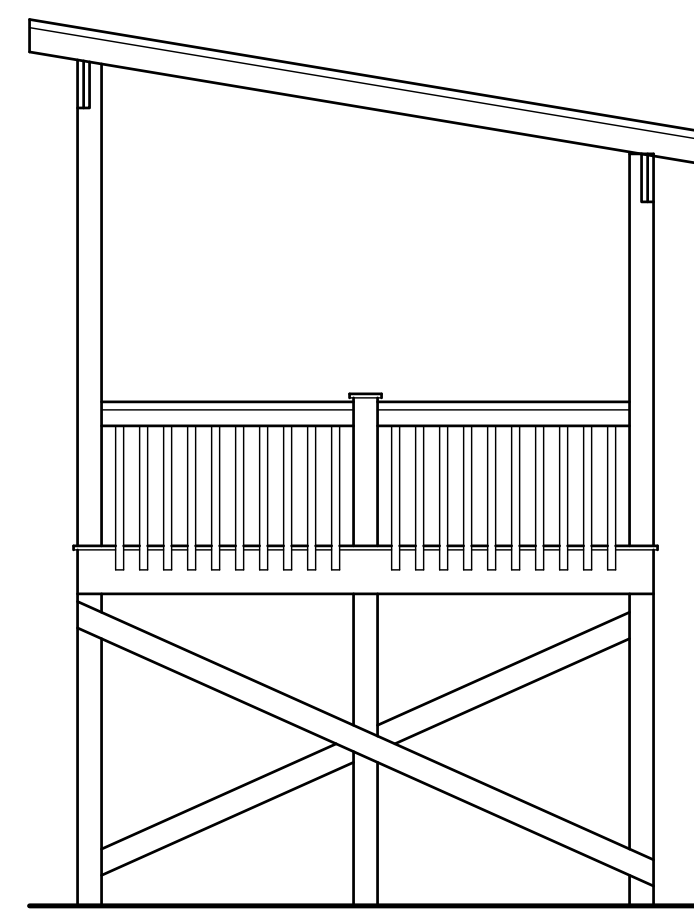


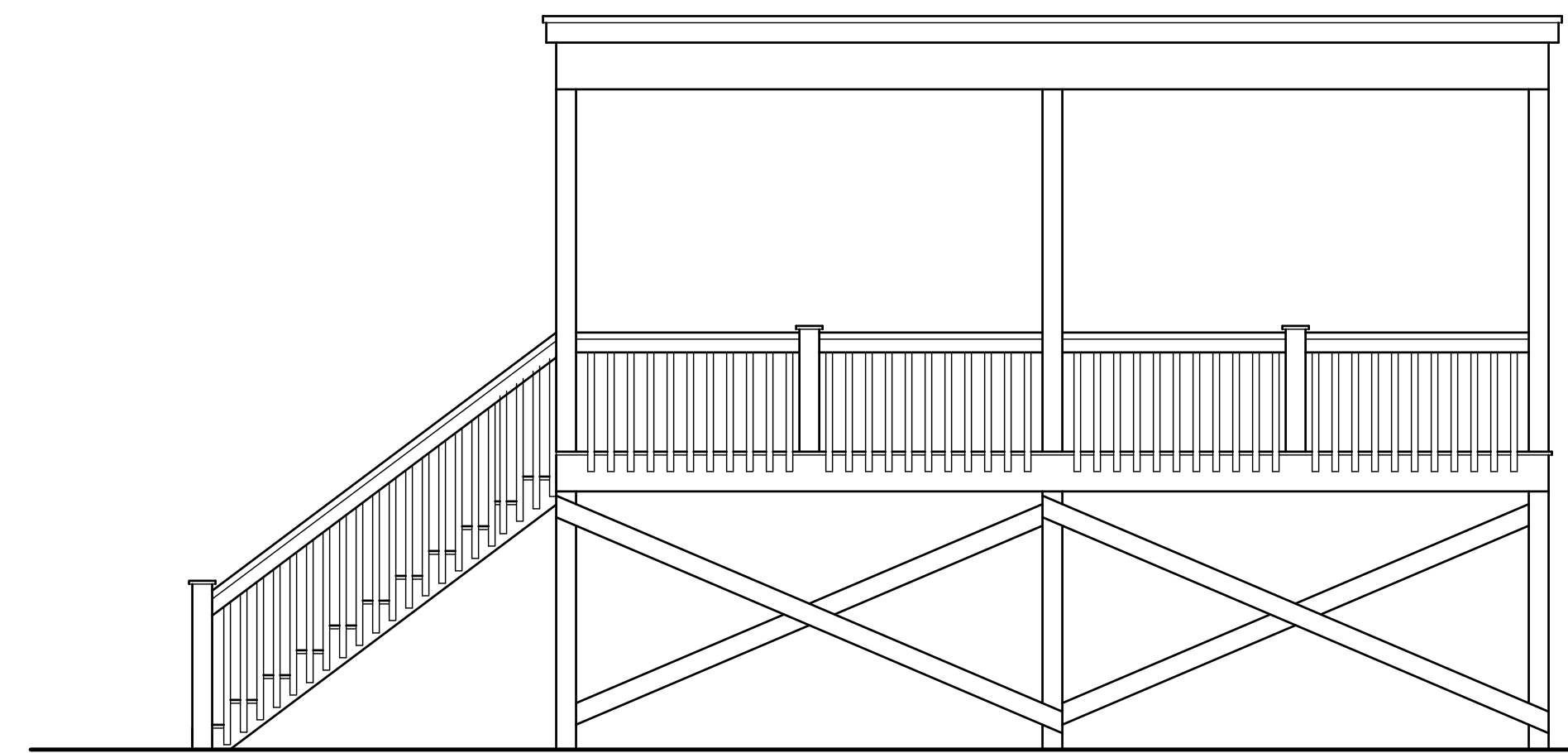
REAR ELEVATION
SCALE: 1/4"=1'-0"



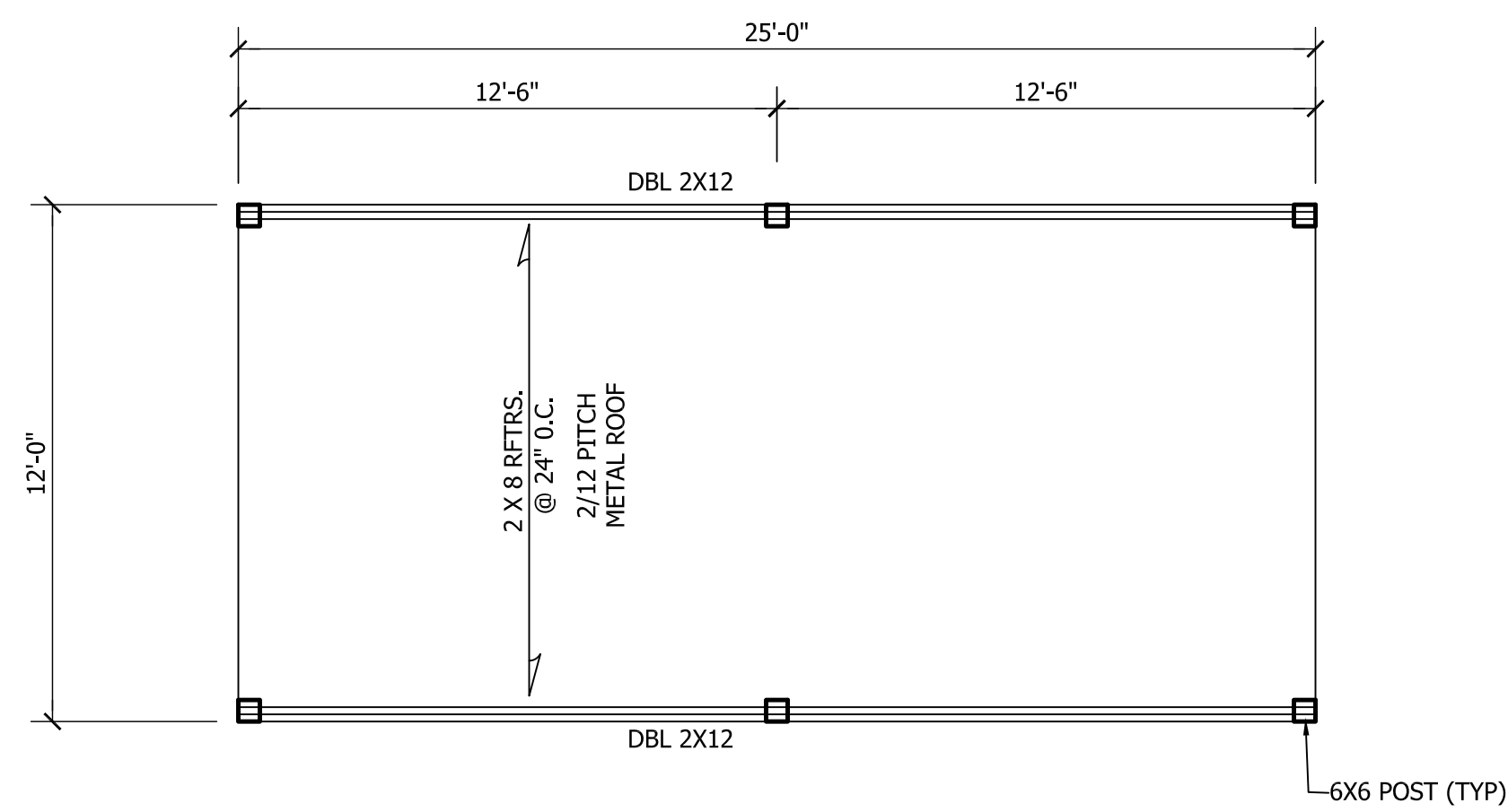
LEFT ELEVATION
SCALE: 1/4"=1'-0"



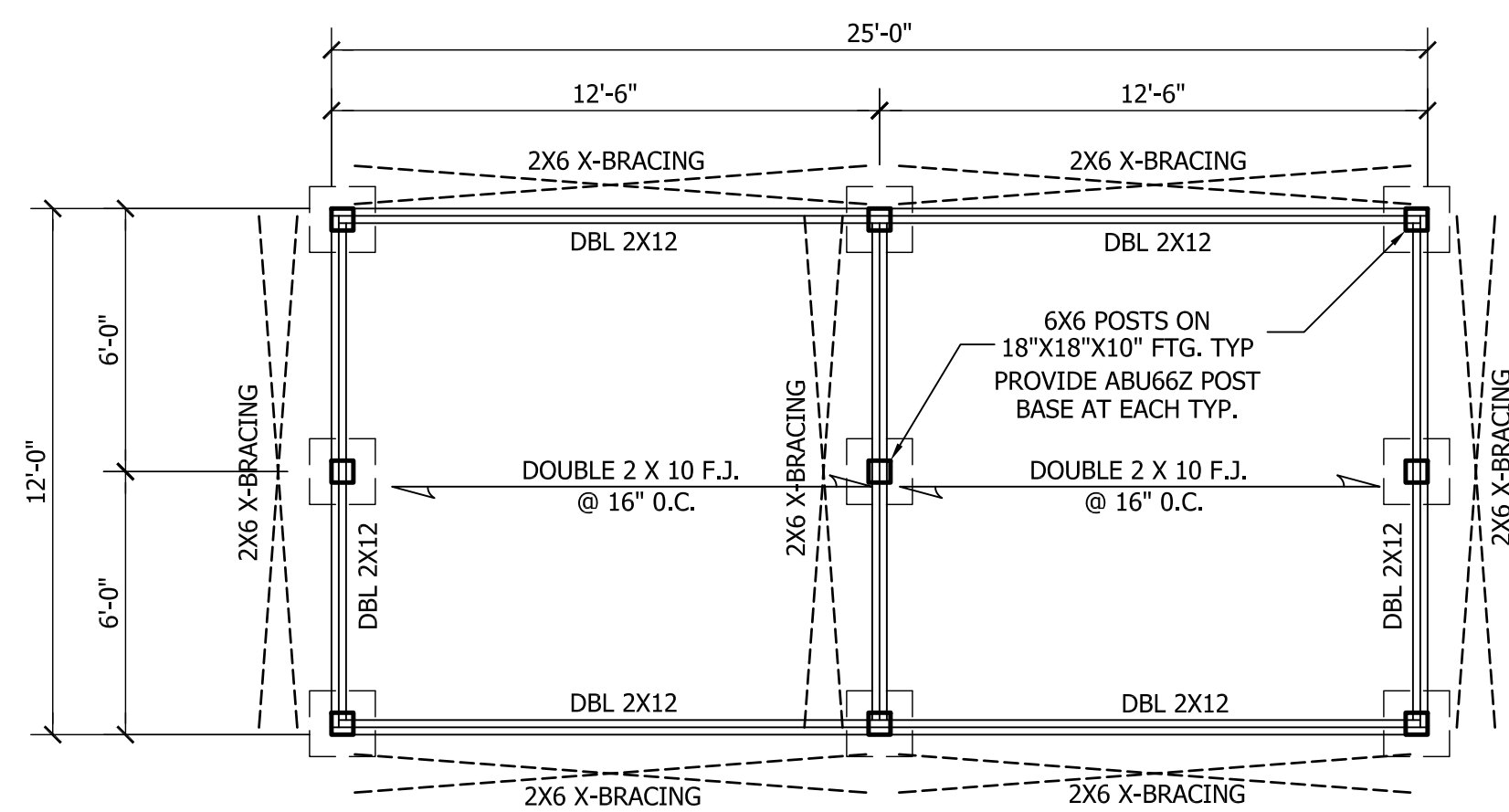
RIGHT ELEVATION
SCALE: 1/4"=1'-0"



FRONT ELEVATION
SCALE: 1/4"=1'-0"

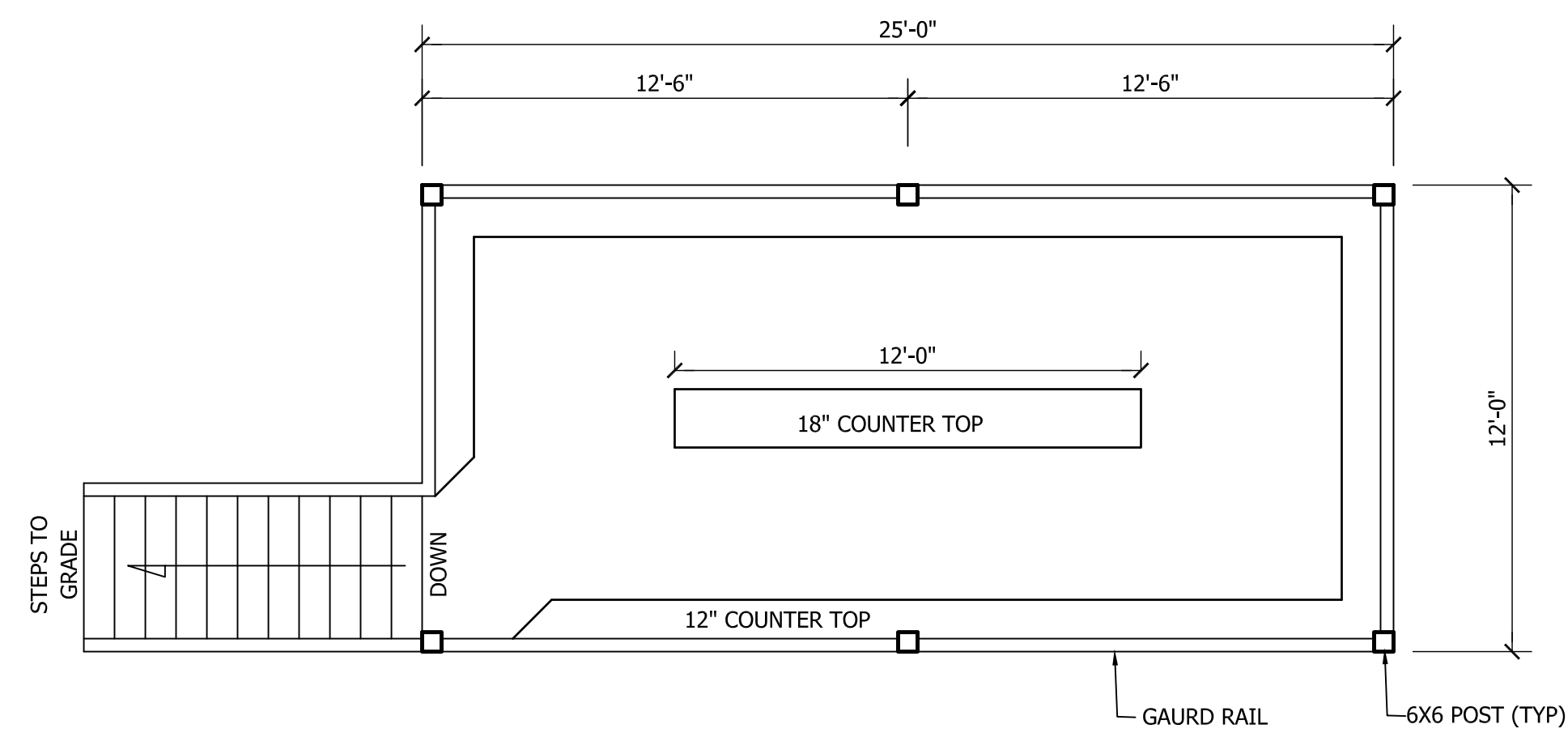


ROOF PLAN
SCALE: 1/4"=1'-0"



FTG. AND FLR. SYSTEM PLAN
SCALE: 1/4"=1'-0"

NOTE: FLOOR SYSTEM DESIGNED FOR 100 PSF LIVE LOAD.



FLOOR PLAN
SCALE: 1/4"=1'-0"

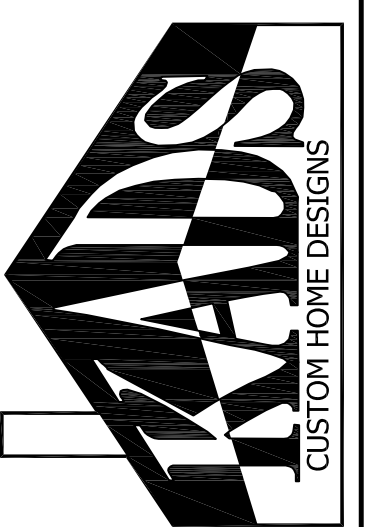


Structural Engineering by
Mark E. Jones, PE
8425 Glen Dean Court
Raleigh, NC 27603
Phone: (919) 595-5618

*Engineers seal applies only to structural components on this document. Seal does not include construction means, methods, techniques, sequences, or safety precautions.
*Any deviations or discrepancies on plans are to be brought to the immediate attention of Mark E. Jones, PE. Failure to do so will void Mark E. Jones, PE liability.
Structural analysis based on NC Residential Building Code 2018.

Project No. 20-170

**APR / CAMPBELL BASEBALL
OUTFIELD DECK**



ANGIER, NC
919-369-7181

DRAWN BY:
D.W.O.

DATE:
2/7/19

PAGE NO

1

OF
1

CAMPBELL
DECK