

DRAWING NOTE

APPROVAL OF THESE DRAWINGS INDICATES THAT THEY HAVE BEEN INTERPRETED CORRECTLY AND HAVE APPLIED THE REQUIREMENTS OF THE CONTRACTS DRAWINGS AND SPECIFICATIONS.
WHERE DISCREPANCIES EXIST BETWEEN THESE DRAWINGS AND THE DRAWINGS FOR OTHER TRADES, THE STRUCTURAL STEEL DRAWINGS SHALL GOVERN.

DESIGN NOTE

DESIGN OF ANY MATERIALS IN THE STRUCTURE, WHICH ARE NOT FURNISHED BY THE MANUFACTURER, ARE THE RESPONSIBILITY OF THE CONTRACTOR AND ENGINEERS OTHER THAN THE MANUFACTURER, UNLESS SPECIFICALLY INDICATED.

INSTALLATION NOTES

- * FIELD CUTTING OF COMPONENTS IS REQUIRED FOR FITMENT.
- * ROOF PANEL LAPS MUST BE SEALED WITH MASTIC TAPE (PROVIDED).
- * PANELS AND TRIM ARE RECOMMENDED TO BE SET 1/8" ABOVE CONCRETE SURFACE.
- * FLASHING MUST BE LAPPED A MINIMUM 2" AND SEALED AS NEEDED FOR WATER RESISTANCE.
- * ALLOW 1/2" TOLERANCE FOR GIRTS AND HEADERS

BUILDING LAYOUT

WIDTH (ft.): 30
LENGTH (ft.): 185
EAVE HEIGHT (ft.): 8.5 / 8.5
ROOF SLOPE (Rise/12): 3.00 / 3.00

PANEL SELECTION

ROOF: SSX 26 Ga. (w/Condenstop)
WALL: SSX 26 Ga.
PARTITION: LRX 29 Ga.
LINER: N/A

BUILDING D PINEY GROVE STORAGE 78 PINEY GROVE RAWLS ROAD FUQUAY VARINA, WAKE COUNTY NORTH CAROLINA, 27526

DRAWING SCHEDULE

| | |
|-----|--------------------------------------|
| 1 | LEAD SHEET, GENERAL NOTES, SCHEDULES |
| 2 | ELEVATION PLAN |
| 3 | SLAB PLAN & DETAILS |
| 4 | BASE PLAN & DETAILS |
| 5 | FRAMING PLAN |
| 5.1 | FRAMING DETAILS |
| 6 | PARTITION PLAN |
| 7 | RAFTER PLAN |
| 7.1 | RAFTER DETAILS |
| 8 | ROOF PLAN |

BUILDING LOADS

CODE: IBC 15 - NCBC 18
DEAD LOAD: 2.0 psf.
COLLATERAL LOAD: 0.5 psf.
LIVE LOAD: 20.0 psf. (MAX)
GROUND SNOW LOAD: 15.0 psf. (MAX)
ROOF SNOW LOAD: 12.6 psf. (MAX)
WIND SPEED: 117 mph.
CLOSED / OPEN: Closed
EXPOSURE: C
IMPORTANCE - WIND: 1.00
IMPORTANCE - SEISMIC: 1.00
IMPORTANCE - SNOW: 1.00
SEISMIC CATEGORY: C
SEISMIC COEFFICIENT: 0.28
SEISMIC S1: 0.084
SEISMIC Sds: 0.187
SEISMIC Sd1: 0.134
SEISMIC BASE SHEAR: 0.667*1.2*Fa*Ss*W/R
INTERNAL WIND COEFFICIENT: -0.18 / +0.18
OCCUPANCY: II - Normal

CONFIDENTIAL AND PROPRIETARY INFORMATION

THE INFORMATION AND DESIGNS CONTAINED IN THIS DRAWING ARE CONFIDENTIAL AND PROPRIETARY. NEITHER THIS DESIGN NOR ANY INFORMATION CONTAINED IN THIS DRAWING MAY BE REPRODUCED OR DISCLOSED TO OTHERS WITHOUT EXPRESS WRITTEN CONSENT.

Notes:



REV: DESCRIPTION: BY: DATE:
STATUS: CONSTRUCTION ISSUE

STANDARD ABBREVIATIONS

| | | | | | |
|-------|----------------------|-------|-----------------------|--------|------------------------|
| AFF | ABOVE FINISHED FLOOR | EOS | EDGE OF SLAB | OA | OVERALL |
| APPR | APPROXIMATE | FBO | FURNISHED BY OTHERS | OC | ON CENTER |
| BLDG | BUILDING | FND | FOUNDATION | OD | OUTSIDE DIAMETER |
| BLK | BLOCK | F0B | FACE OF BLOCK / BRICK | OPP | OPPOSITE |
| BM | BEAM | FOS | FACE OF STEEL | PTN | PARTITION |
| BOT | BOTTOM | FT | FOOT / FEET | RAD | RADIUS |
| BLK | BLOCK | FTG | FOOTING | REF | REFERENCE |
| C/L | CENTERLINE | GA | GAUGE | REOD | REQUIRED |
| CJ | CAULK JOINT | GALV | GALVANIZED | REINF | REINFORCED |
| CLG | CEILING | GC | GENERAL CONTRACTOR | RO | ROUGH OPENING |
| COL | COLUMN | GRND | GROUND | SECT | SECTION |
| CONC | CONCRETE | GR | GRADE | SF | SQUARE FOOTAGE |
| CTR | CENTER | GYP | GYPSSUM WALL BOARD | SIM | SIMILAR |
| DBL | DOUBLE | HORIZ | HORIZONTAL | SO | SQUARE |
| DET | DETAIL | HT | HEIGHT | STD | STANDARD |
| DIA | DIAMETER | INS | INSULATION | STL | STEEL |
| DWG | DRAWING | INT | INTERIOR | TOB | TOP OF BEAM |
| DIM | DIMENSION | INFO | INFORMATION | TOC | TOP OF CONCRETE |
| DR | DOOR | JT | JOINT | TOS | TOP OF STEEL |
| EA | EACH | MAX | MAXIMUM | TOW | TOP OF WALL |
| ET | ERECTION TOLERANCE | MIN | MINIMUM | TYP | TYPICAL |
| EJ | EXPANSION JOINT | MISC | MISCELLANEOUS | UNO | UNLESS NOTED OTHERWISE |
| EL | ELEVATION | MTL | METAL | VAR | VARIES |
| EXIST | EXISTING | NIC | NOT IN CONTRACT | VERT | VERTICAL |
| EXP | EXPANSION | NTS | NOT TO SCALE | VERIFY | VERIFY IN FIELD |
| EXT | EXTERIOR | NA | NOT APPLICABLE | WO | WITHOUT |
| | | NO | NUMBER | WT | WEIGHT |

STRUCTURAL ABBREVIATIONS

| | | |
|------|-----------------|---|
| BA | BASE ANGLE | L4216 - 4" x 2" x 16 Ga. Angle |
| BC | BASE CHANNEL | U42516 - 4 1/8" x 2 5/8" x 16 Ga. Channel |
| C4 | 4" COLUMN | C4216 - 4" x 2" x 16 Ga. Cee |
| C435 | 4" COLUMN | C43516 - 4" x 3-1/2" 16 Ga. Cee |
| DH | DOOR HEADER | C4216 - 4" x 2" x 16 Ga. Cee |
| DJ | DOOR JAMB | C43516 - 4" x 3 1/2" x 16 Ga. Cee |
| EC | EAVE CHANNEL | U42514 - 4 1/8" x 2 5/8" x 14 Ga. Channel |
| ES | EAVE STRUT | ES6416 - 6" x 4" x 16 Ga. Strut |
| FC | FLOOR CLIP | Manufactured Part |
| G | GIRT | C4216 - 4" x 2" x 16 Ga. Cee |
| HA | HALL ANGLE | L4216 - 4" x 2" x 16 Ga. Angle |
| JR | JACK RAFTER | C62516 - 6" x 2 1/2" x 16 Ga. Cee |
| M | MULLION | C12416 - 12" x 4" x 16 Ga. Cee |
| MCLP | MINI CLIP | Manufactured Part |
| PA | PARTITION ANGLE | L4216 - 4" x 2" x 16 Ga. Angle |
| PC | PARTITION CEE | C2218 - 2" x 2" x 18 Ga. Cee |
| RA | RAKE ANGLE | L4216 - 4" x 2" x 16 Ga. Angle |
| RC | RAKE CLIP | Manufactured Part |
| RS | RIDGE STRUT | RS6416 - 6" x 4" x 16 Ga. Strut |
| SPD | BASE ANGLE | SPD42216 - 4" x 2" x 11 1/2" Angle |
| Z4 | 4" Z PURLIN | Z42514 - 4" x 2 1/2" x 14 Ga. Zee |
| Z6 | 6" Z PURLIN | Z62516 - 6" x 2 1/2" x 16 Ga. Zee |
| Z8 | 8" Z PURLIN | Z82516 - 8" x 2 1/2" x 16 Ga. Zee |
| Z10 | 10" Z PURLIN | Z102516 - 10" x 2 1/2" x 16 Ga. Zee |
| Z12 | 12" Z PURLIN | Z122516 - 12" x 2 1/2" x 16 Ga. Zee |

SHEET ABBREVIATIONS

| | |
|-----|--------------------------------|
| RL | 29 Ga. SSX LINER PANEL |
| RR | 26 Ga. SSX ROOF PANEL |
| RW | 26 Ga. SSX WALL PANEL |
| ML | 29 Ga. LRX LINER PANEL |
| MW | 26 Ga. LRX WALL PANEL |
| RML | 29 Ga. REVERSE LRX LINER PANEL |
| RMW | 26 Ga. REVERSE LRX WALL PANEL |
| SSR | 24 Ga. SSII ROOF PANEL |

SSR ABBREVIATIONS

| | |
|--------|-------------------|
| BP7760 | BACK UP PLATE |
| OC430 | OUTSIDE CLOSURE |
| EP7600 | EAVE PLATE - LOW |
| EP7616 | EAVE PLATE - HIGH |
| FC200 | FIXED CLIP - LOW |
| FC204 | FIXED CLIP - HIGH |
| IC426 | INSIDE CLOSURE |
| CS324 | CINCH STRAP |
| GS246 | GUTTER STRAP |
| RP7710 | RAKE PLATE - LOW |
| RP7720 | RAKE PLATE - HIGH |

TRIM ABBREVIATIONS

| | |
|------|-------------------------|
| DFR | DIE FORMED RIDGE CAP |
| DJC | DOOR JAMB COVER |
| DS | DOWNSPOUT WITH DIVERTER |
| DSS | DOWNSPOUT STRAP |
| HC | DOOR HEADER COVER |
| ET | EAVE TRIM |
| REND | RAKE END |
| GS | GUTTER STRAP |
| HMC | HALF MULLION COVER |
| HSET | HIGH SIDE EAVE TRIM |
| HT | HEAD TRIM |
| IA | INSIDE ANGLE |
| IC | INSIDE CORNER |
| ICB | INSIDE CORNER BOX |
| ISCL | INSIDE CLOSURE |
| JT | JAMB TRIM |
| MC | MULLION COVER |
| OA | OUTSIDE ANGLE |
| OC | OUTSIDE CORNER |
| OCB | OUTSIDE CORNER BOX |
| OSCL | OUTSIDE CLOSURE |
| PB | PEAK BOX |
| PTT | PARTITION TOP TRIM |
| GU | GUTTER |
| RT | RAKE TRIM |
| SSC | SILICONE SEALANT CAULK |
| SW | SIDEWALL FLASHING |
| WT | WAINSCOT TRIM |

FASTENER ABBREVIATIONS

| | | |
|-----------|--------------------------------|------------------------------|
| SB | 1/2" x 3" SCREW BOLT - DeWalt | BASE TO SLAB CONNECTIONS |
| | SCREW-BOLT + (PFM1411380) | |
| DP | 1/4" x 1 1/4" DRIVE PIN | BASE TO SLAB CONNECTIONS |
| MFS058NW | *10 x 5/8" SD NO WASHER | SPECIAL TRIM CONNECTIONS |
| MFS100 | *12 x 1" SD | STRUCTURAL STEEL CONNECTIONS |
| MFS114 | *12 x 1 1/4" SD | WALL SHEETING |
| MFSZAC114 | *12 x 1 1/4" LONG LIFE SD | ROOF SHEETING |
| LS078 | *14 x 7/8" LAP SCREW | WALL PANEL LAP |
| LSZAC078 | *14 x 7/8" LONG LIFE LAP SCREW | ROOF PANEL LAP |
| PR | 1/8" POP RIVET | TRIM CONNECTIONS |
| MFS0100 | *17-14 x 1" SELF TAPPING | TS324 END LAP ATTACHMENT |
| MFS0112 | 1/4"-14 x 1 1/2" SD | TS324 CLIP ATTACHMENT |



CLIENT: P.O. BOX 1275
Madison, GA 30650
Phone: (844) 333-7325
Fax: (706) 343-1968

SITE: 78 PINEY GROVE RAWLS ROAD
FUQUAY VARINA, NC 27526

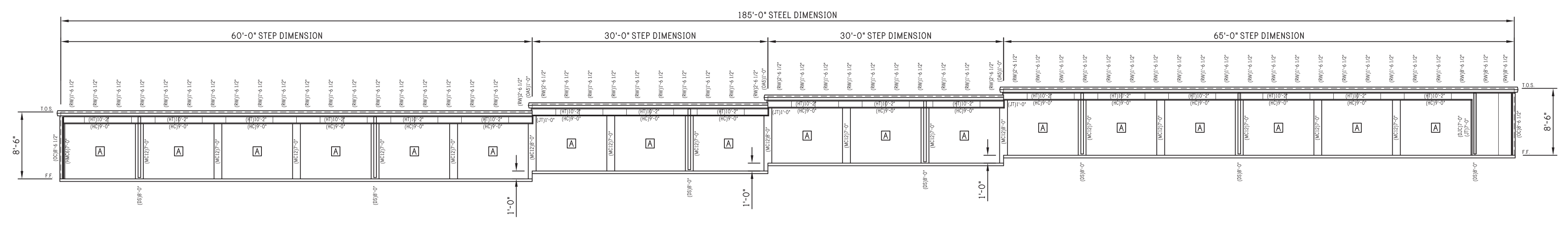
TITLE: 30' x 185' x 8'-6"

| | | | | | | | |
|-----------|------------|-------------|----------|-----------|-----|----------|-----|
| JOB NO: | 7116-24392 | DATE: | 11/30/20 | DRAWN: | JSG | CHECKED: | DSM |
| SHEET NO: | 1 of 8 | DRAWING NO: | RD080D20 | REVISION: | | | |

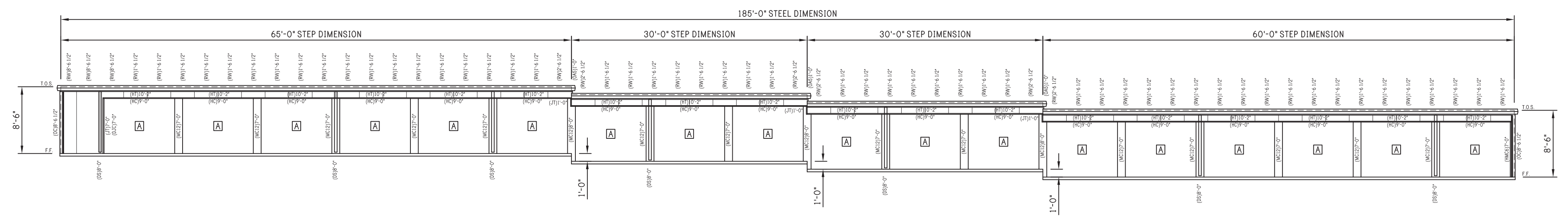
CONFIDENTIAL AND PROPRIETARY INFORMATION
 THE INFORMATION AND DESIGNS CONTAINED IN THIS DRAWING ARE CONFIDENTIAL AND PROPRIETARY. NEITHER THIS DESIGN NOR ANY INFORMATION CONTAINED IN THIS DRAWING MAY BE REPRODUCED OR DISCLOSED TO OTHERS WITHOUT EXPRESS WRITTEN CONSENT.

Notes:

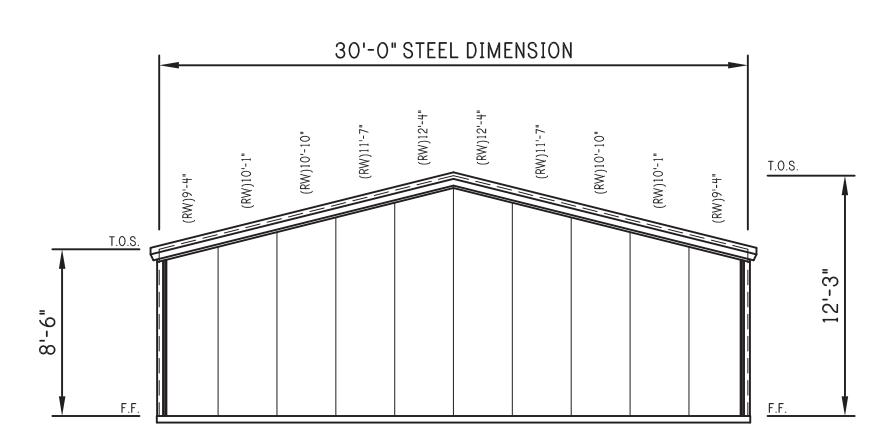
| DOOR SCHEDULE | |
|---------------|--------------------------------------|
| [A] | (39) EACH 9'-0" X 7'-0" ROLL-UP DOOR |



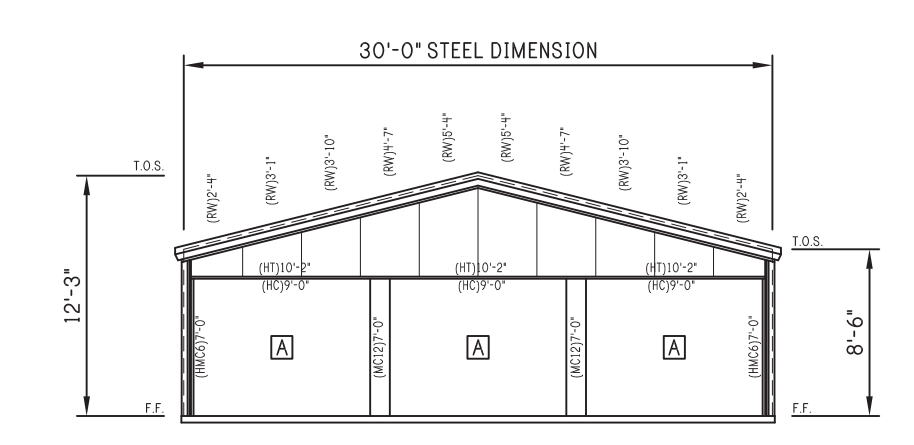
FRONT ELEVATION



REAR ELEVATION



LEFT ELEVATION



RIGHT ELEVATION

ELEVATION PLAN



| REV: | DESCRIPTION: | BY: | DATE: |
|------|--------------------|-----|-------|
| | CONSTRUCTION ISSUE | | |

R & D Drafting, Inc.
 42801 S. 654 Rd.
 Jay, Oklahoma 74346
 Phone: 918-314-5328

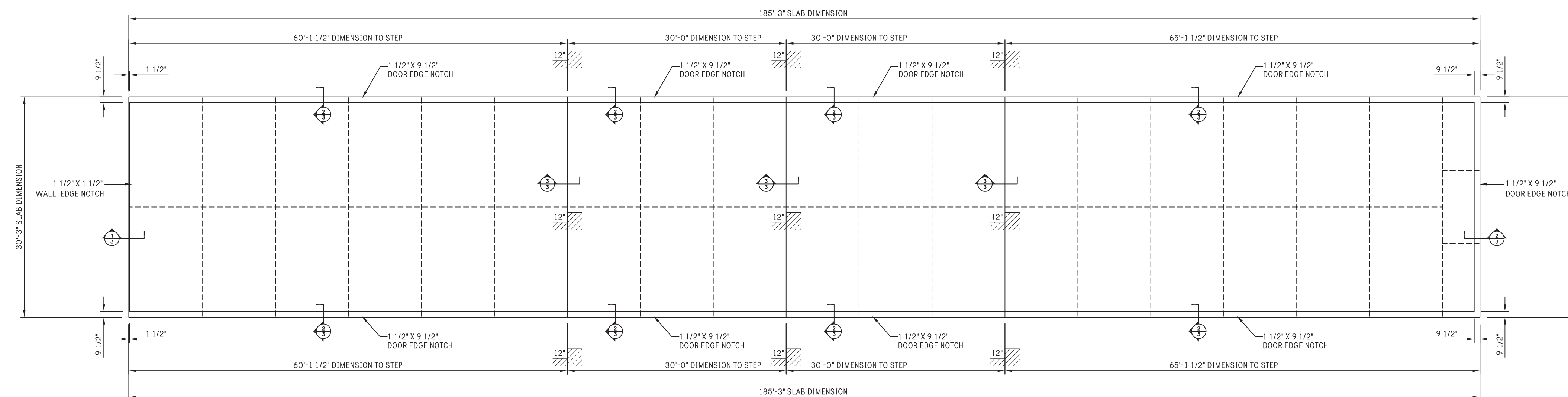
PEAK STEEL
 CLIENT: P.O. BOX 1275
 Madison, GA 30650
 Phone: (844) 333-7325
 Fax: (706) 343-1968

SITE: 78 PINEY GROVE RAWLS ROAD
 FUYQUAY VARINA, NC 27526
 TITLE: **30' x 185' x 8'-6"**

| | | | |
|-----------------------|-------------------------|---------------|-----------------|
| JOB NO: 7116-24392 | DATE: 11/04/20 | DRAWN: JSG | CHECKED: DSM |
| SHEET NO: 2 of 8 | DRAWING NO: RD080D20 | REVISION: | |

Notes:

1. FOUNDATION DESIGN AND CONSTRUCTION ARE NOT THE RESPONSIBILITY OF THE BUILDING MANUFACTURER.
2. THE BUILDING REACTION DATA REPORTS THE LOADS WHICH THIS BUILDING PLACES UPON THE FOUNDATION.



SLAB PLAN



| | | | |
|---------|--------------|--------------------|-------|
| REV: | DESCRIPTION: | BY: | DATE: |
| STATUS: | | CONSTRUCTION ISSUE | |

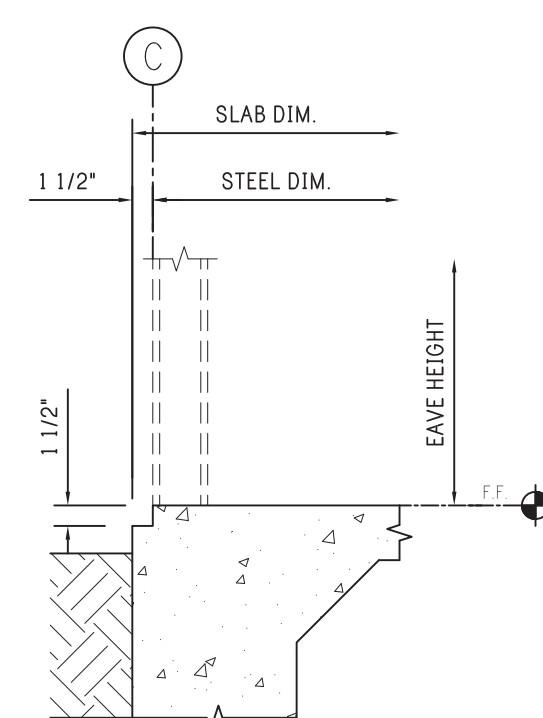
R & D Drafting, Inc.
 42801 S. 654 Rd.
 Jay, Oklahoma 74346
 Phone: 918-314-5328

PEAK STEEL
 CLIENT: P.O. BOX 1275
 Madison, GA 30650
 Phone: (844) 333-7325
 Fax: (706) 343-1968

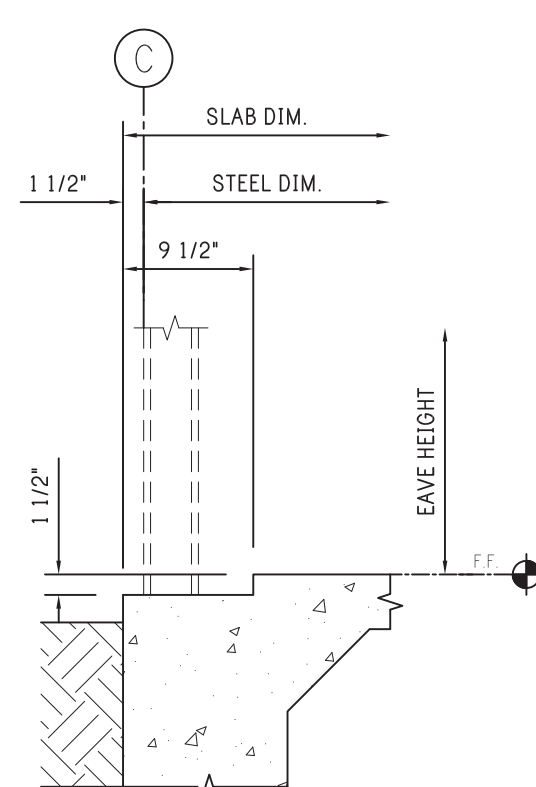
SITE: 78 PINEY GROVE RAWLS ROAD
 FUQUAY VARINA, NC 27526

TITLE: 30' x 185' x 8'-6"

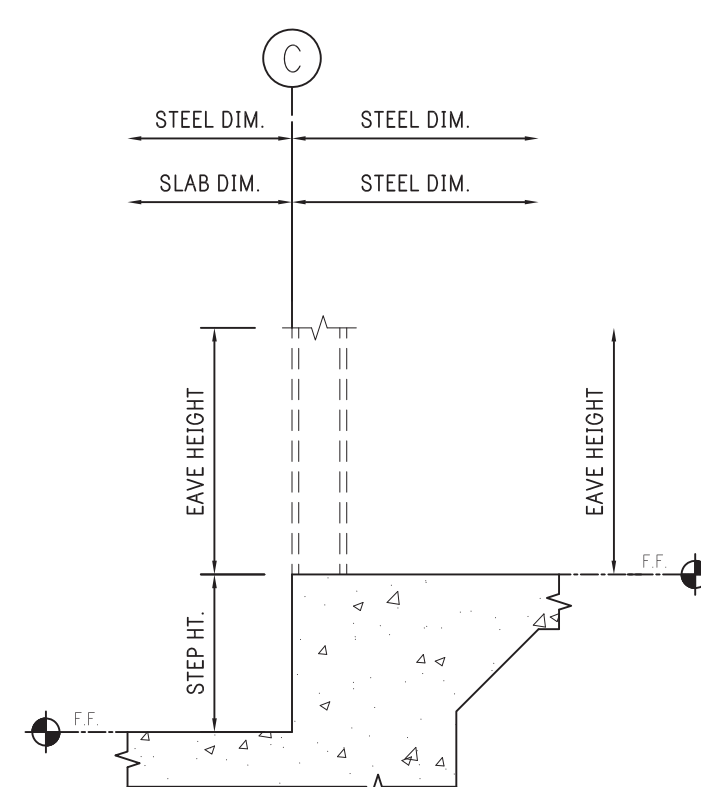
| | | | |
|-----------------------|-------------------------|---------------|-----------------|
| JOB NO: 7116-24392 | DATE: 11/04/20 | DRAWN: JSG | CHECKED: DSM |
| SHEET NO: 3 of 8 | DRAWING NO: RD080D20 | REVISION: | |



1 SLAB NOTCH - WALL EDGE
 1-1/2" x 1 1/2" NOTCH

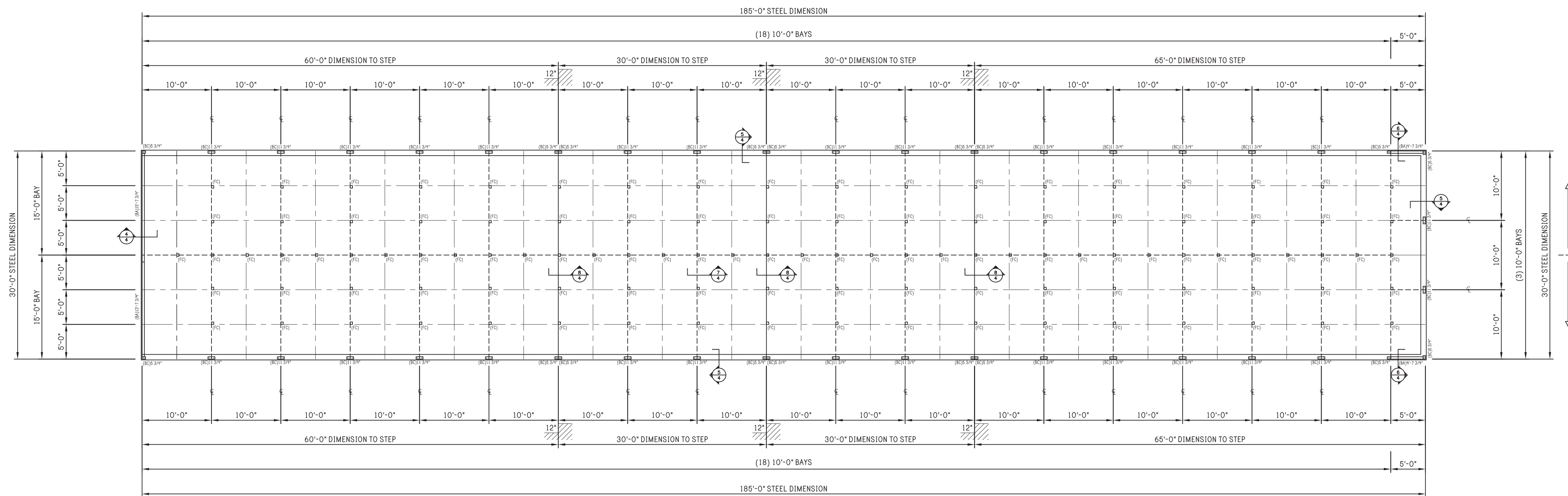


2 SLAB NOTCH - DOOR EDGE
 1-1/2" x 9 1/2" NOTCH



3 SLAB STEP

Notes:



FLOOR PLAN



| | | | |
|------|----------------------------|-----|-------|
| REV: | DESCRIPTION: | BY: | DATE: |
| | STATUS: CONSTRUCTION ISSUE | | |

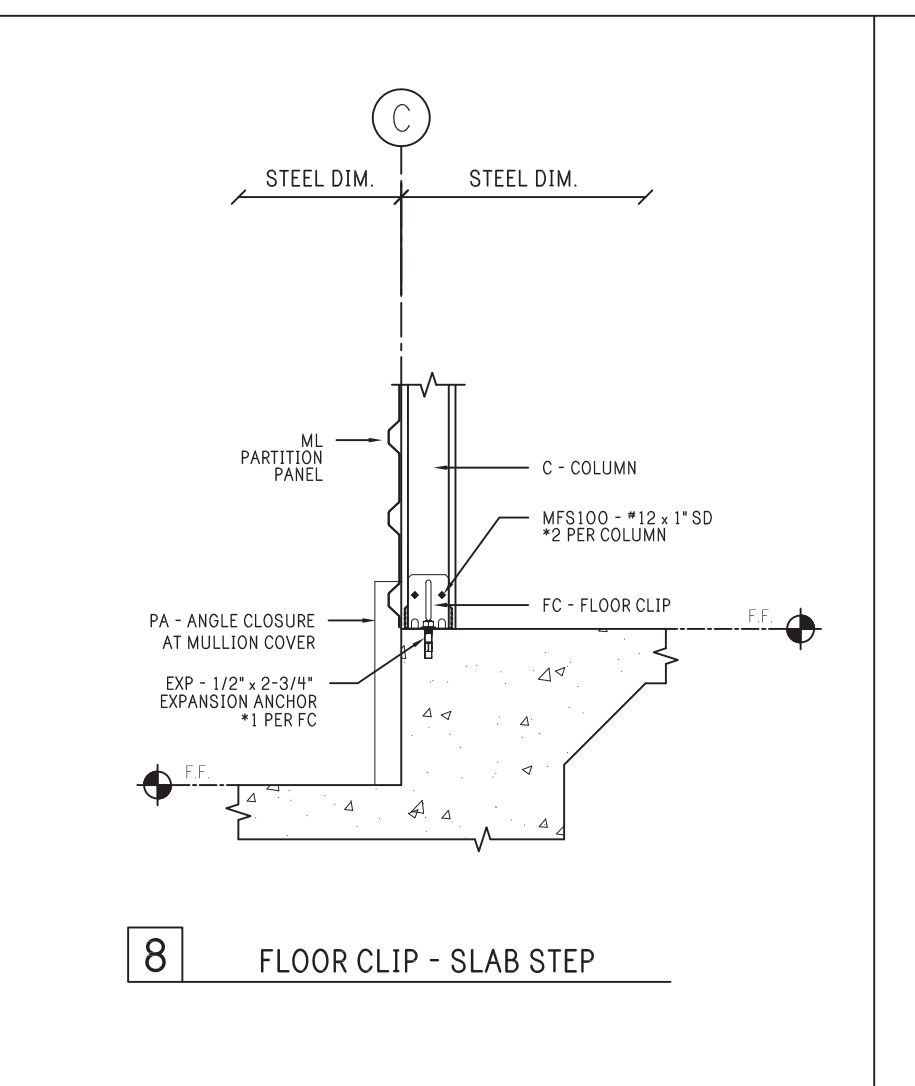
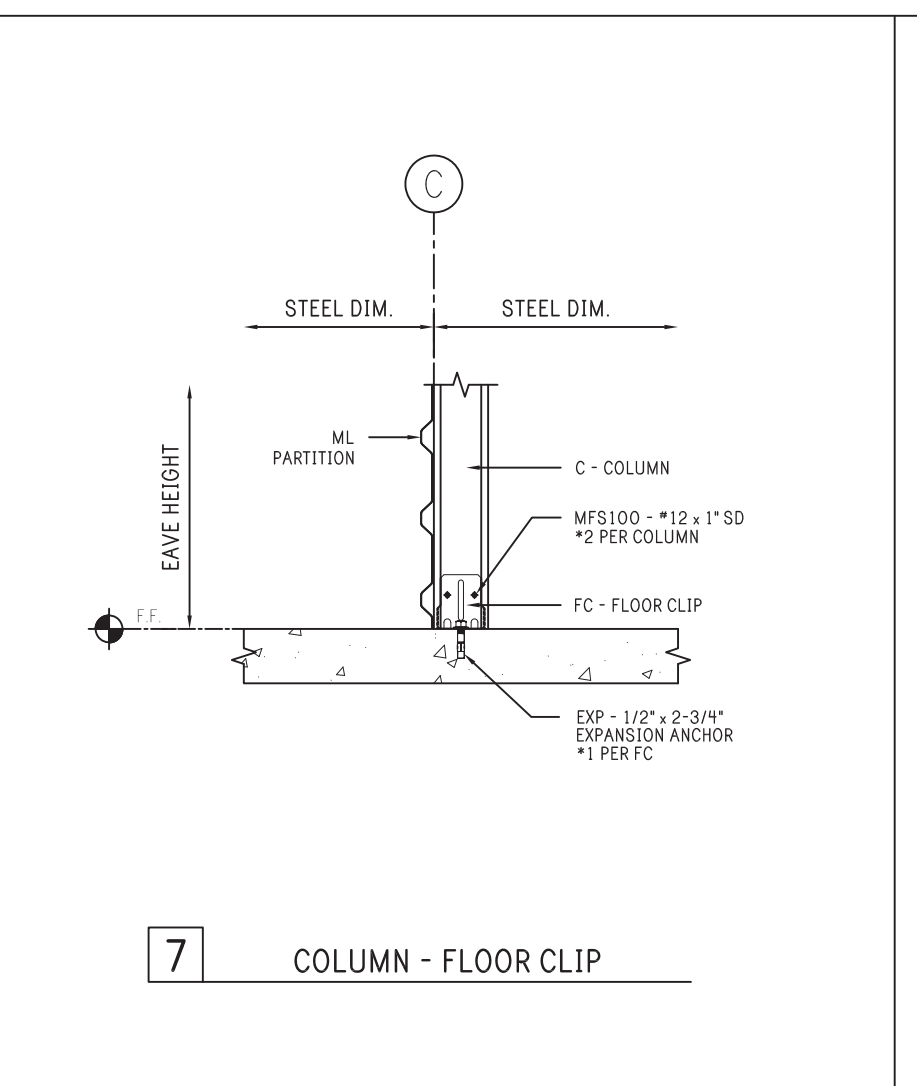
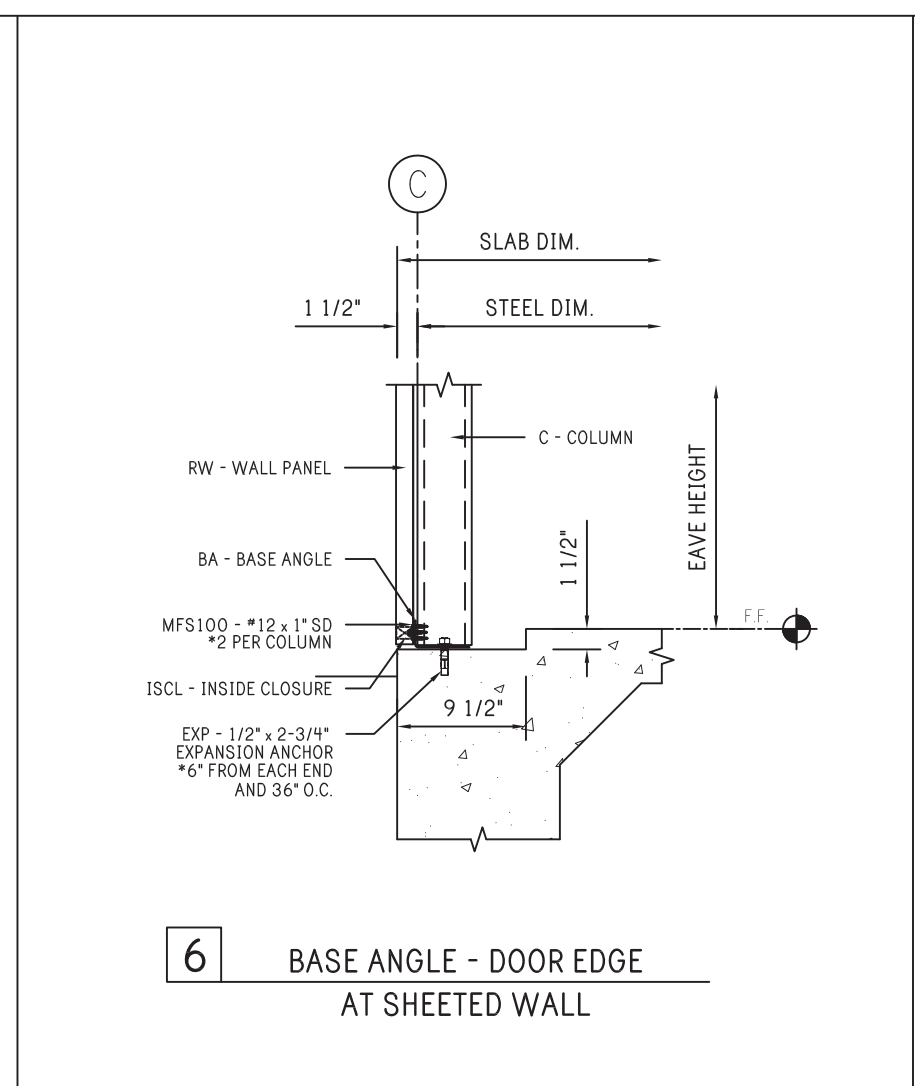
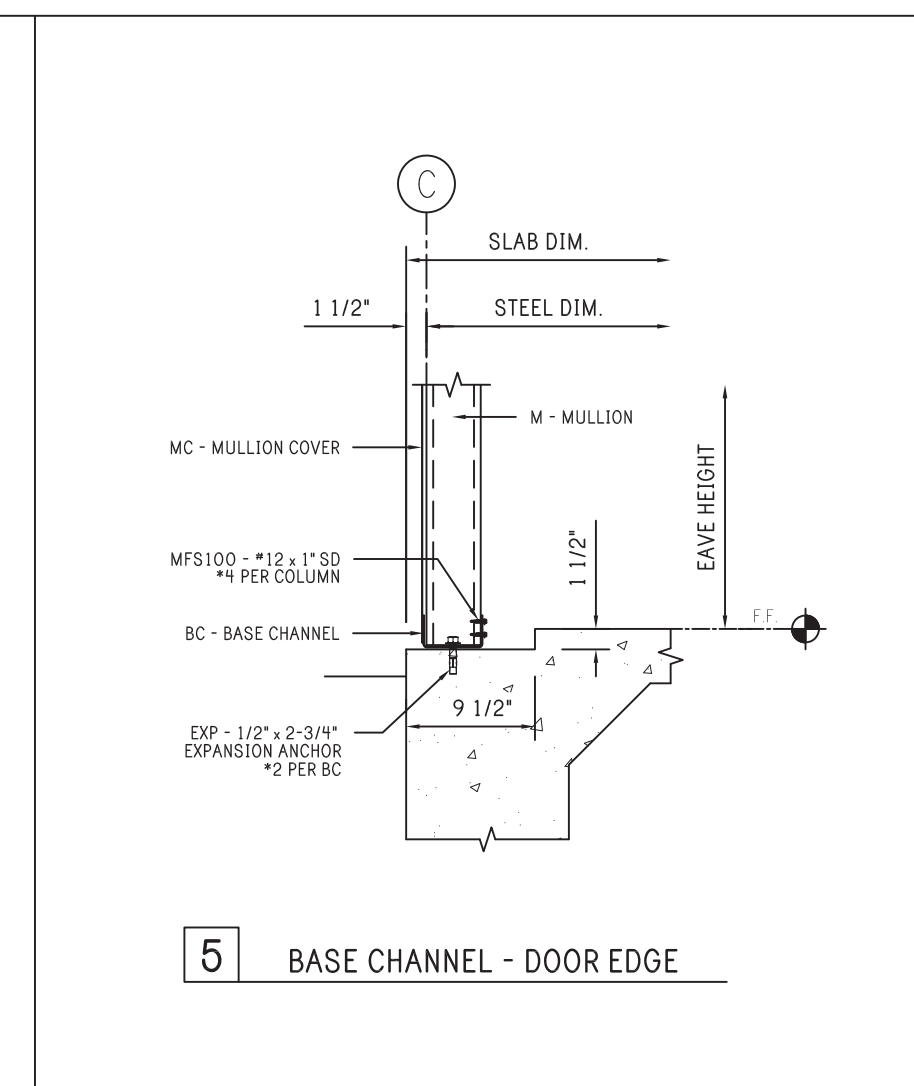
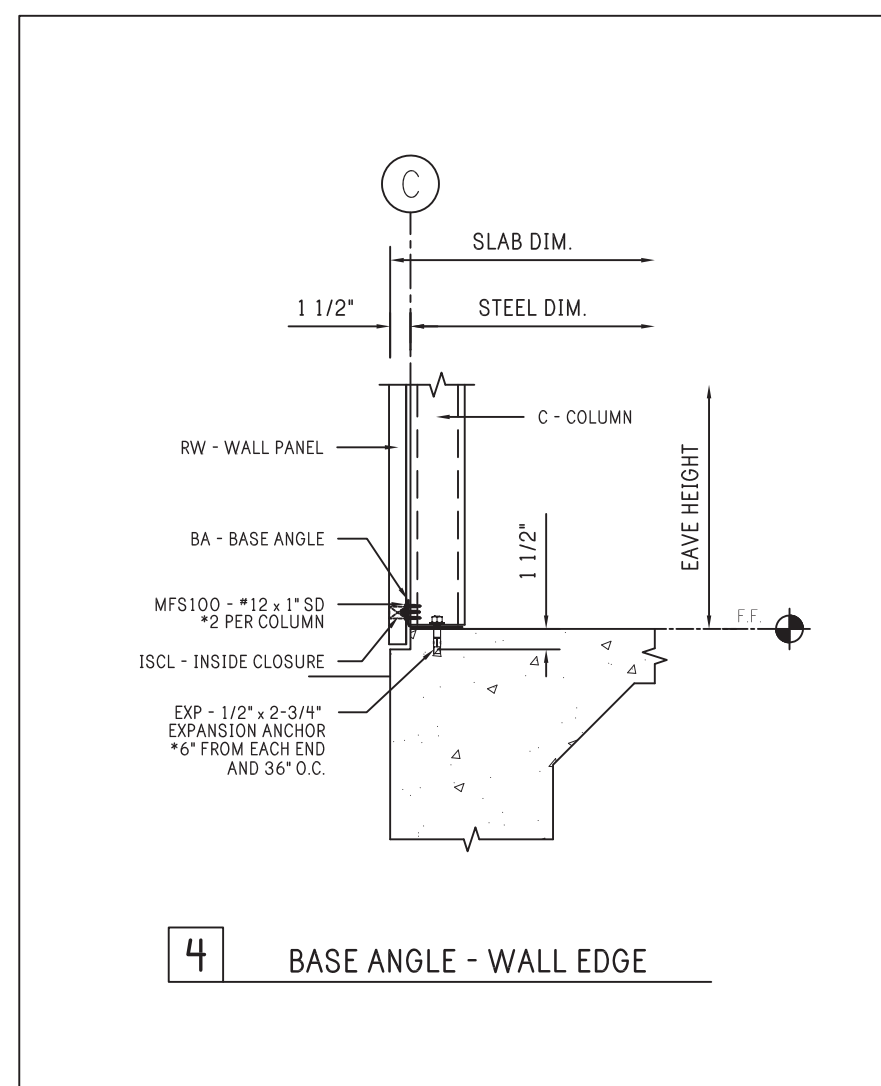
R & D Drafting, Inc.
 42801 S. 654 Rd.
 Jay, Oklahoma 74346
 Phone: 918-314-5328

PEAK STEEL
 CLIENT: P.O. BOX 1275
 Madison, GA 30650
 Phone: (844) 333-7325
 Fax: (706) 343-1968

SITE: 78 PINEY GROVE RAWLS ROAD
 FUQUAY VARINA, NC 27526

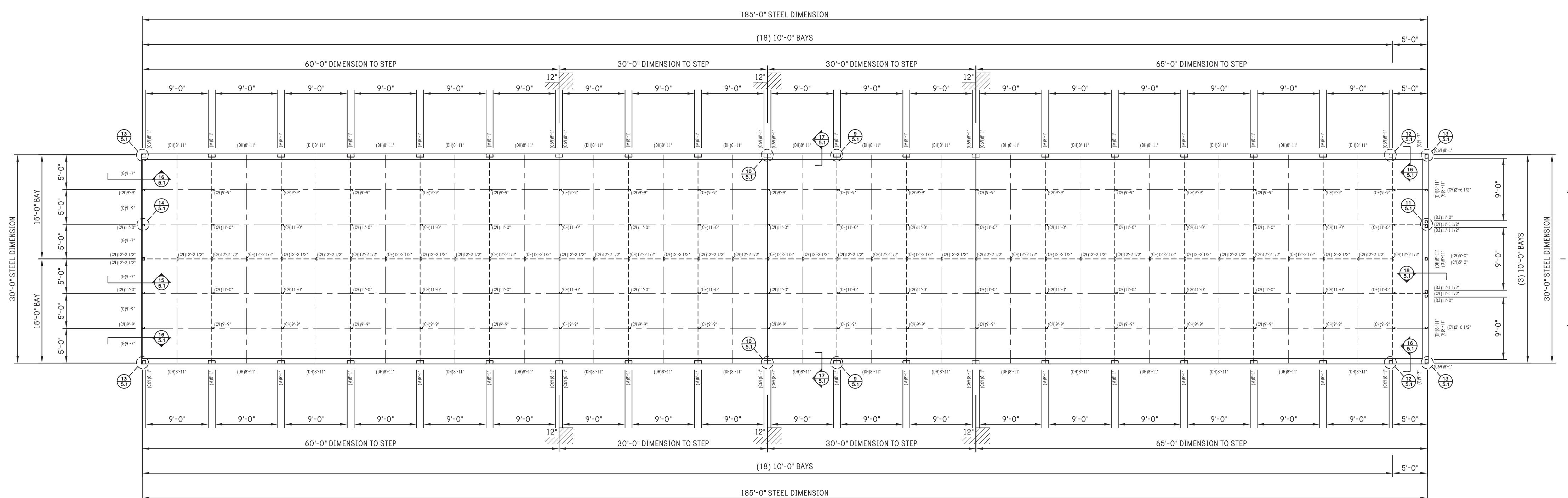
TITLE: 30' x 185' x 8'-6"

| | | | |
|-----------------------|-------------------------|---------------|-----------------|
| JOB NO: 7116-24392 | DATE: 11/04/20 | DRAWN: JSG | CHECKED: DSM |
| SHEET NO: 4 of 8 | DRAWING NO: RD080D20 | REVISION: | |



Notes:

1. COLUMN SPACING IS ON 5'-0" GRID UNLESS OTHERWISE NOTED. SEE DETAILS FOR COLUMN PLACEMENT.



FRAMING PLAN



| | | | |
|---------|--------------------|-----|-------|
| REV: | DESCRIPTION: | BY: | DATE: |
| STATUS: | CONSTRUCTION ISSUE | | |

R & D Drafting, Inc.
 42801 S. 654 Rd.
 Jay, Oklahoma 74346
 Phone: 918-314-5328

PEAK STEEL
 CLIENT: P.O. BOX 1275
 Madison, GA 30650
 Phone: (844) 333-7325
 Fax: (706) 343-1968

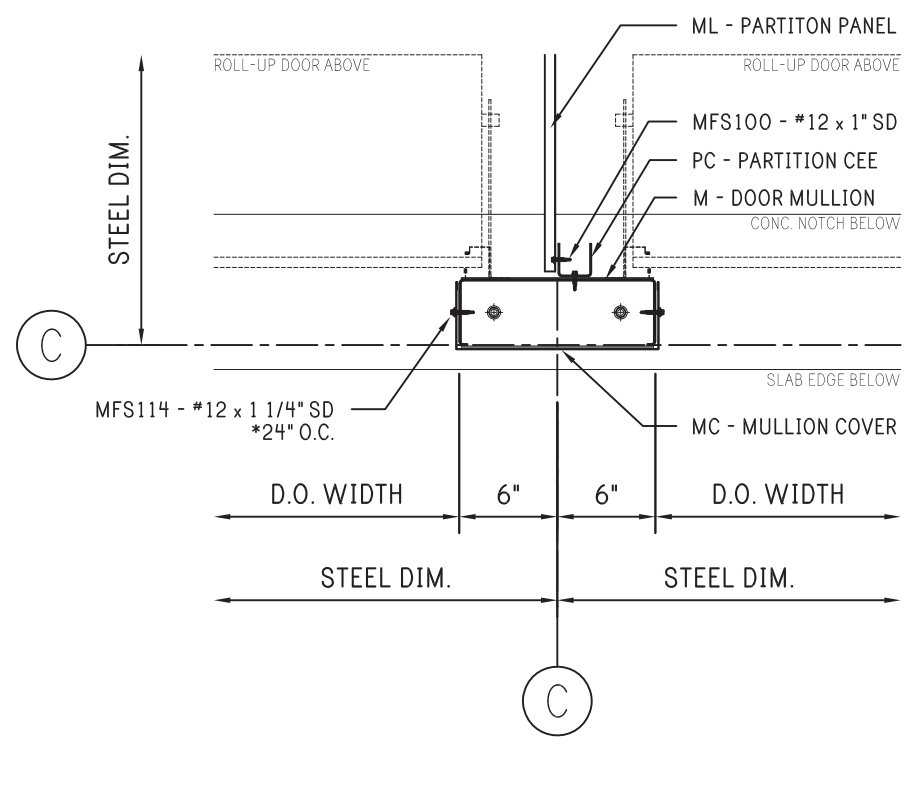
SITE: 78 PINEY GROVE RAWLS ROAD
 FUQUAY VARINA, NC 27526

TITLE: 30' x 185' x 8'-6"

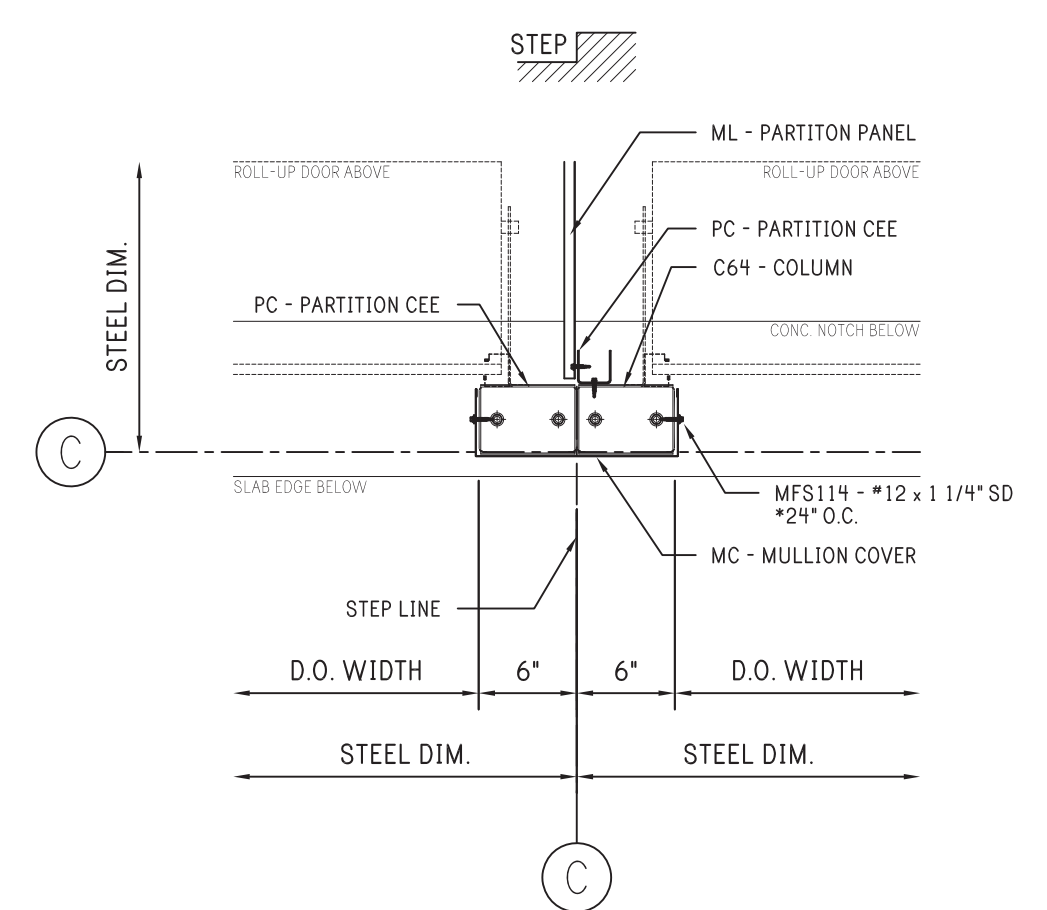
| | | | |
|-----------------------|-------------------------|---------------|-----------------|
| JOB NO: 7116-24392 | DATE: 11/04/20 | DRAWN: JSG | CHECKED: DSM |
| SHEET NO: 5 of 8 | DRAWING NO: RDO80D20 | REVISION: | |

THE INFORMATION AND DESIGNS CONTAINED IN THIS DRAWING ARE CONFIDENTIAL AND PROPRIETARY. NEITHER THIS DESIGN NOR ANY INFORMATION CONTAINED IN THIS DRAWING MAY BE REPRODUCED OR DISCLOSED TO OTHERS WITHOUT EXPRESS WRITTEN CONSENT.

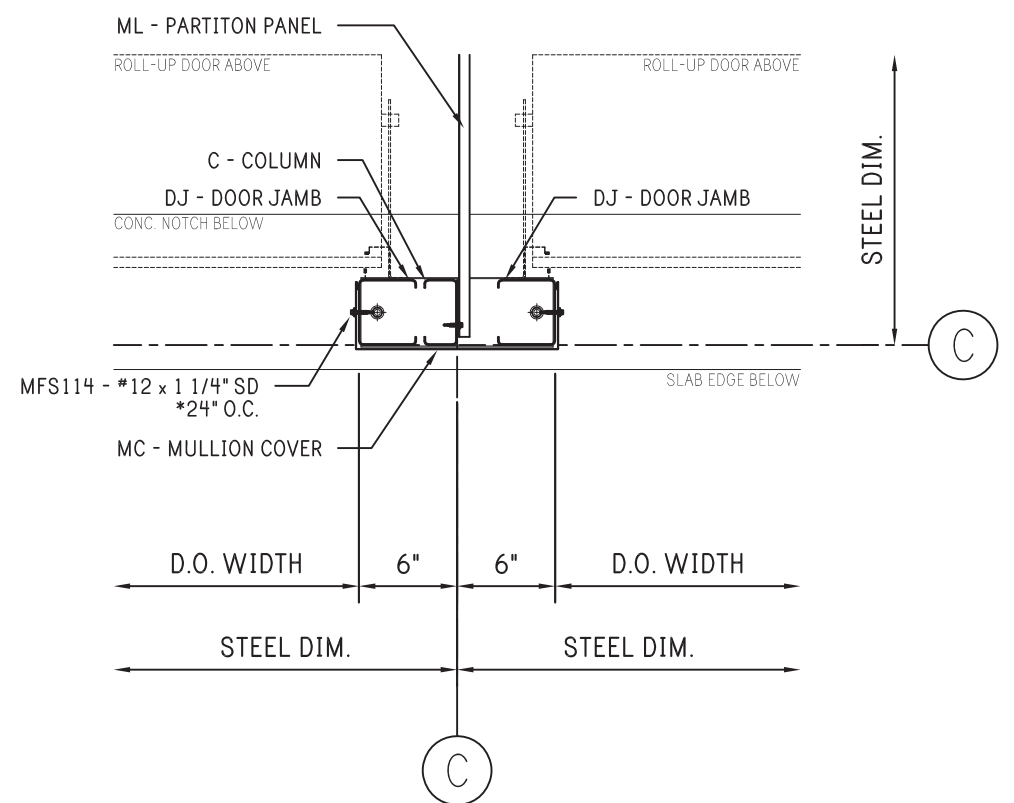
Notes:



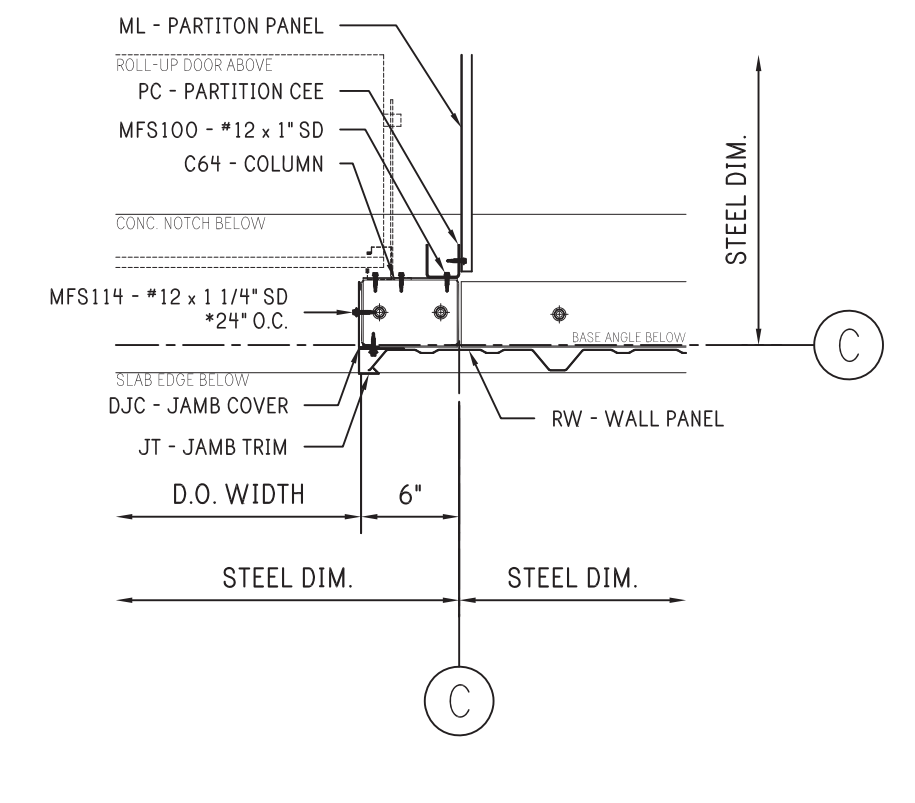
9 12" DOOR MULLION



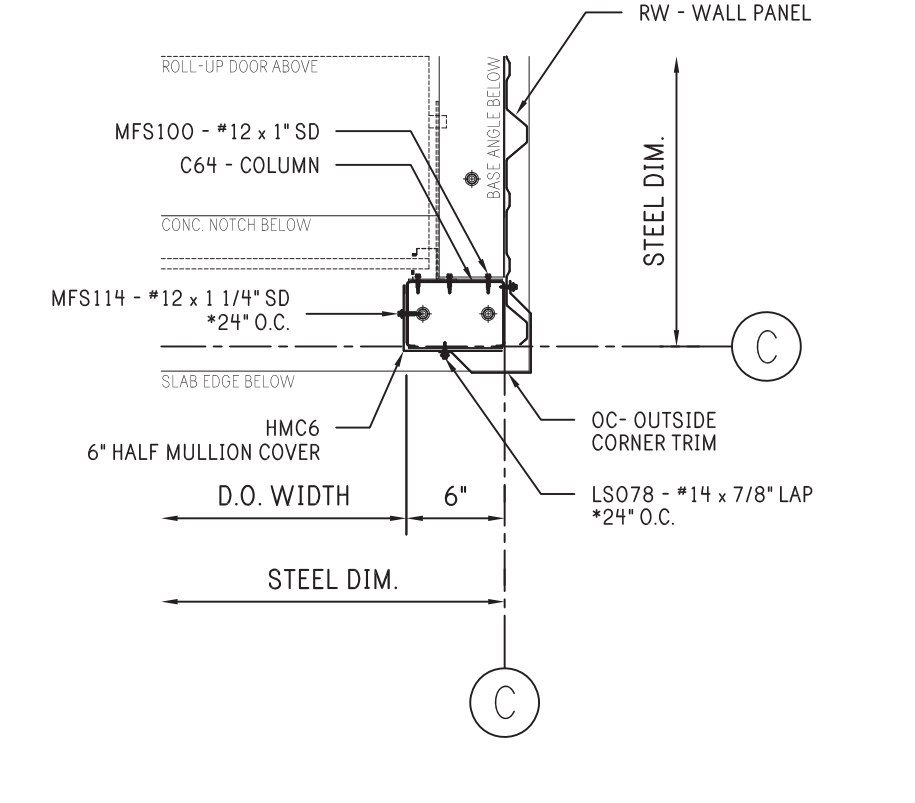
10 12" DOOR MULLION AT SLAB STEP



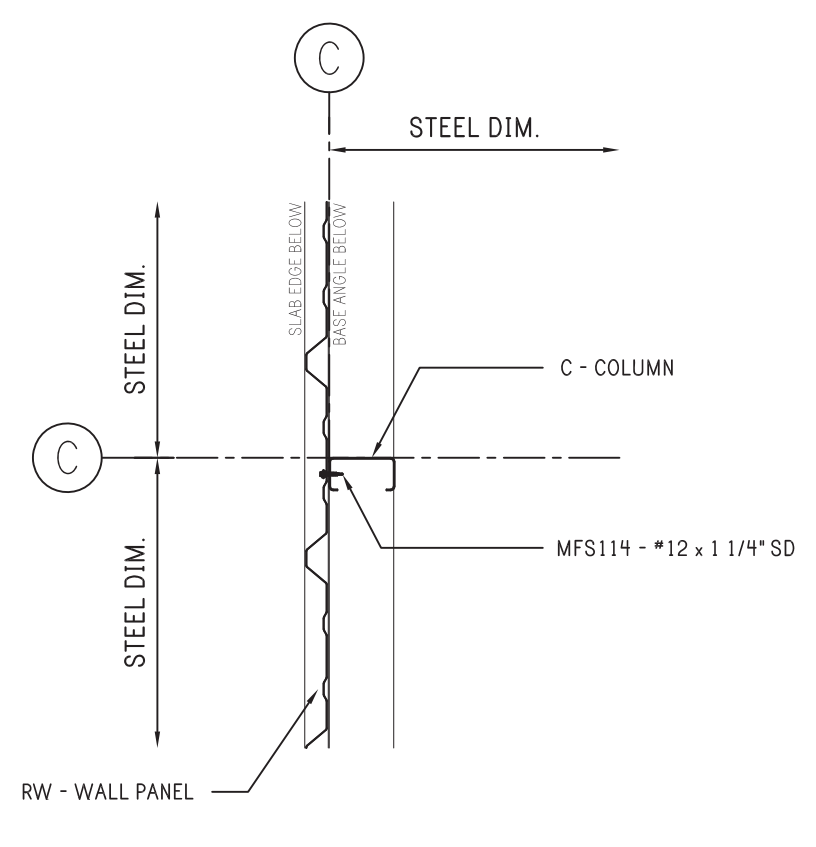
11 12" DOOR MULLION AT END WALL



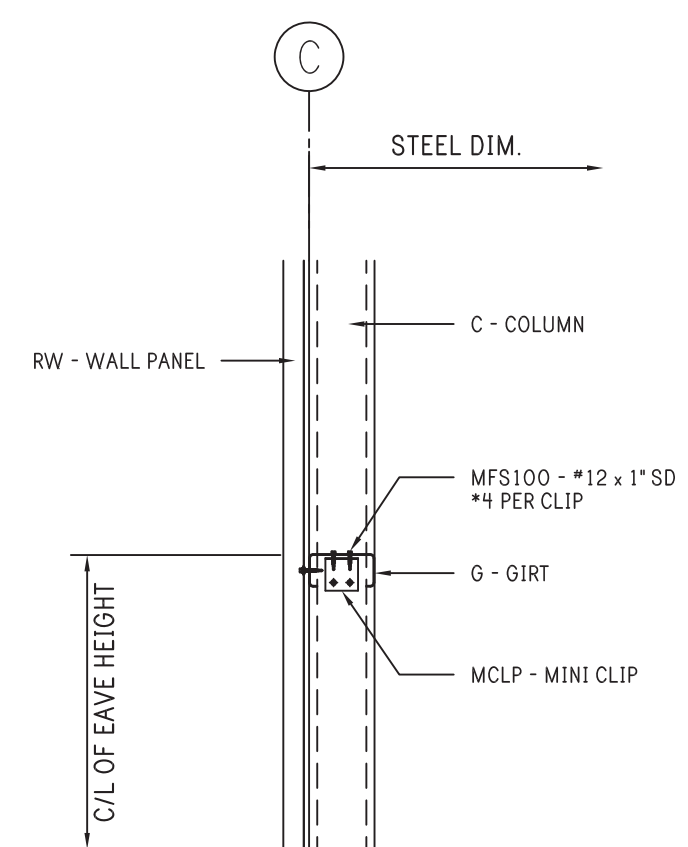
12 6" DOOR JAMB AT PANEL WALL



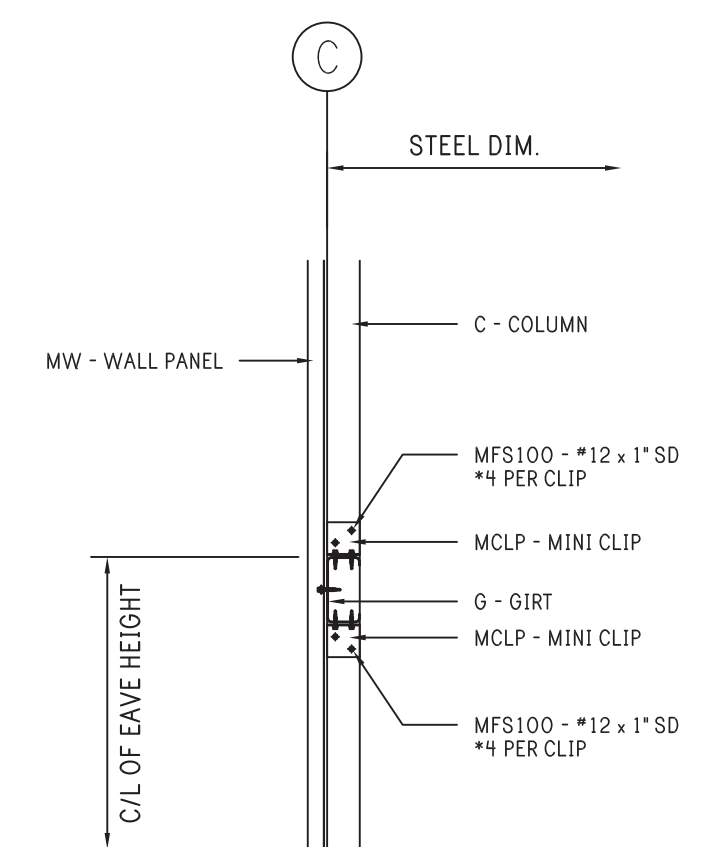
13 6" DOOR JAMB AT CORNER



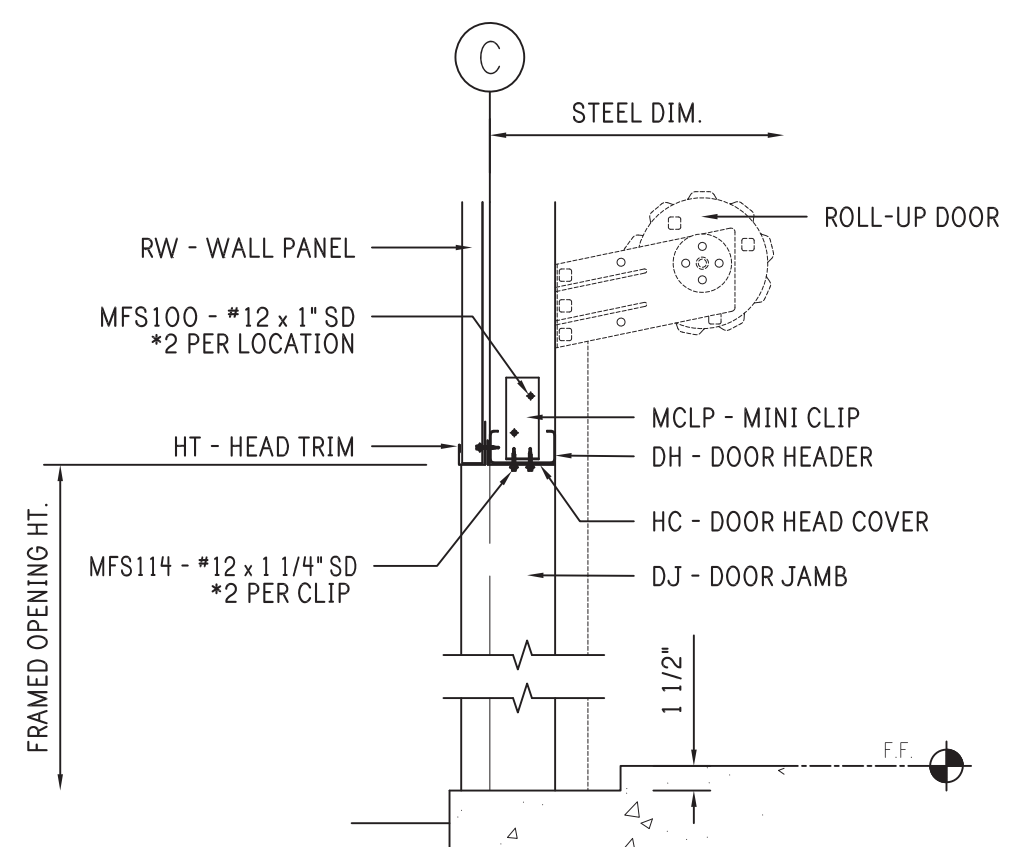
14 COLUMN AT WALL



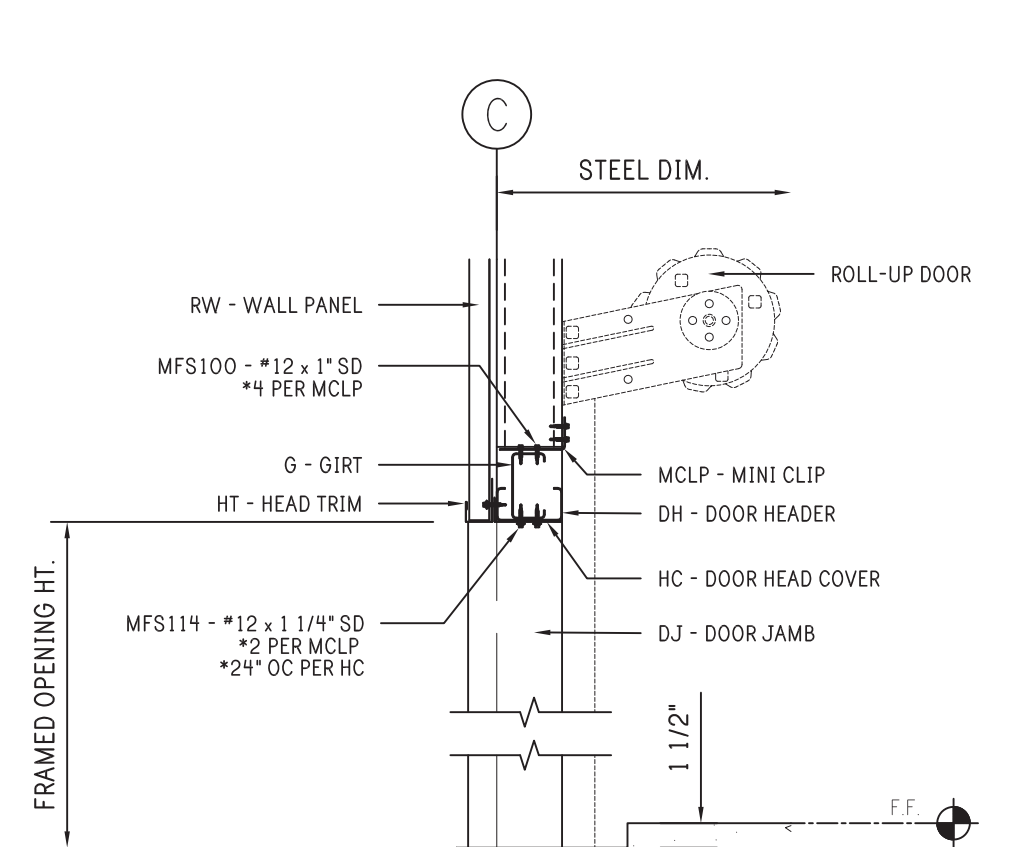
15 GIRT - TYPICAL



16 GIRT - AT 6" JAMB



17 DOOR HEADER



18 DOOR HEADER - ENDWALL PURLIN SUPPORT



| | | | |
|---------|--------------------|-----|-------|
| REV: | DESCRIPTION: | BY: | DATE: |
| STATUS: | CONSTRUCTION ISSUE | | |

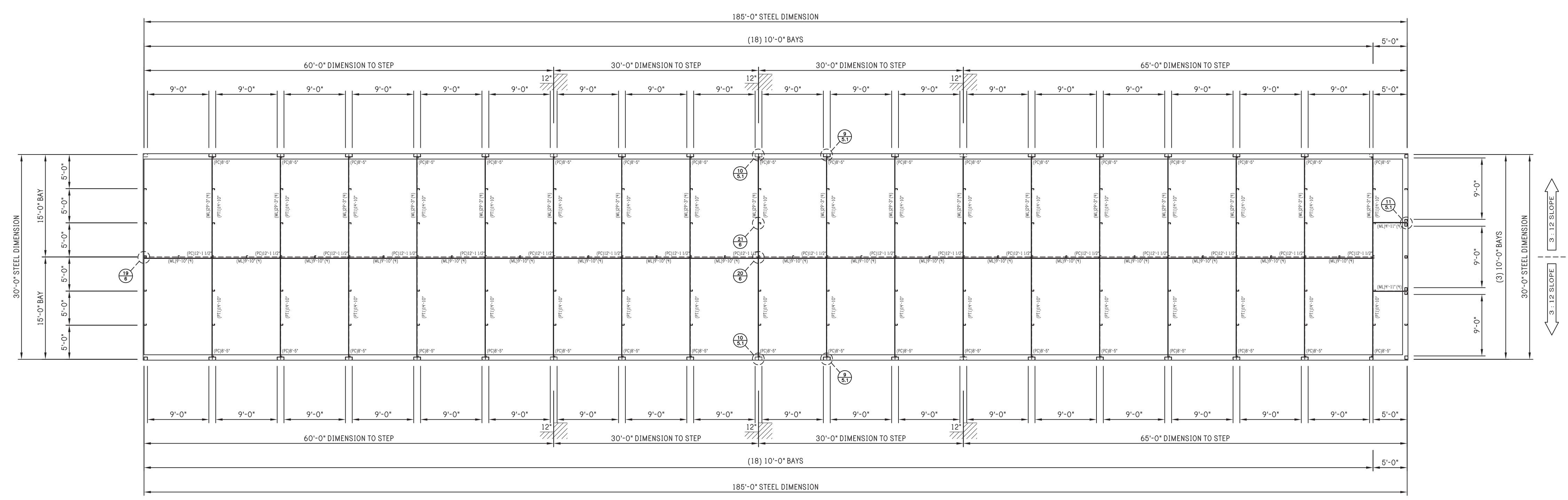
R & D Drafting, Inc.
 42801 S. 654 Rd.
 Jay, Oklahoma 74346
 Phone: 918-314-5328

PEAK STEEL
 CLIENT: P.O. BOX 1275
 Madison, GA 30650
 Phone: (844) 333-7325
 Fax: (706) 343-1968

SITE: 78 PINEY GROVE RAWLS ROAD
 FUUQUAY VARINA, NC 27526
 TITLE: 30' x 185' x 8'-6"
 JOB NO: 7116-24392 DATE: 11/04/20 DRAWN: JSG CHECKED: DSM
 SHEET NO: 5.1 of 8 DRAWING NO: RD080D20 REVISION:

FRAMING DETAILS

Notes:



PARTITION PLAN

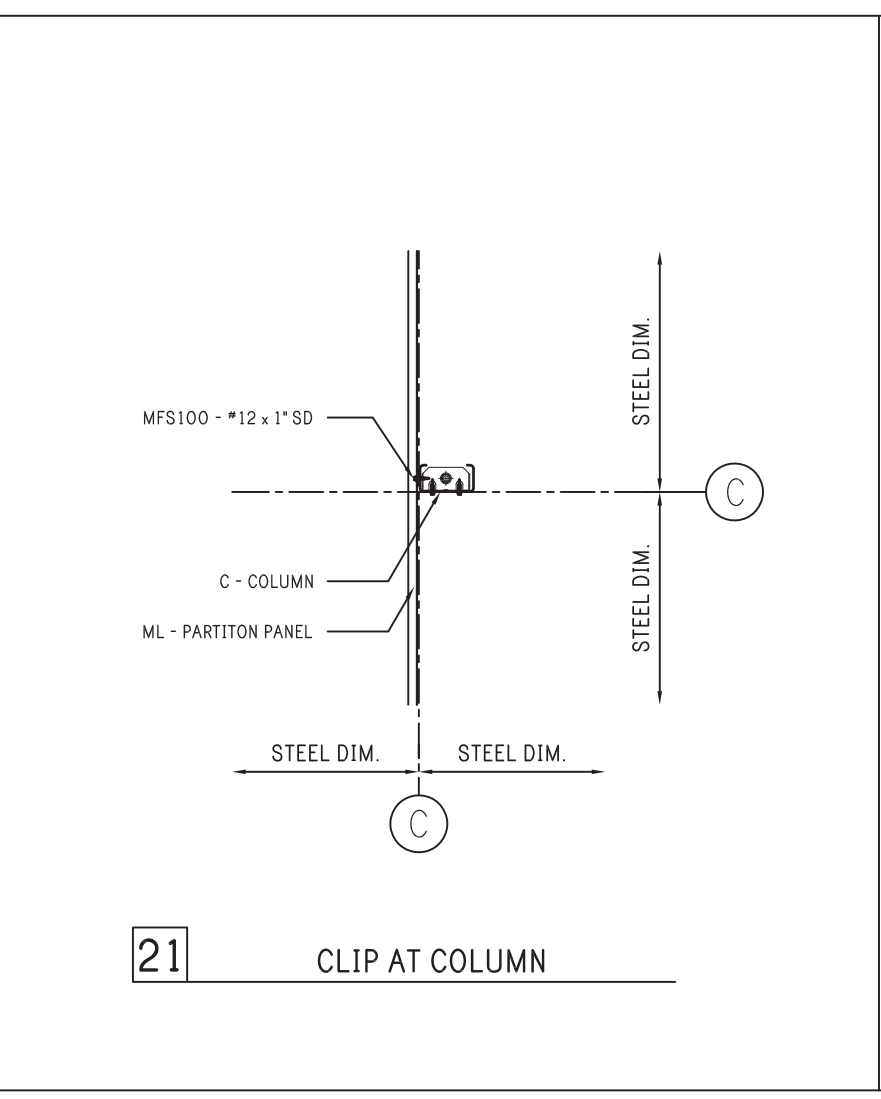
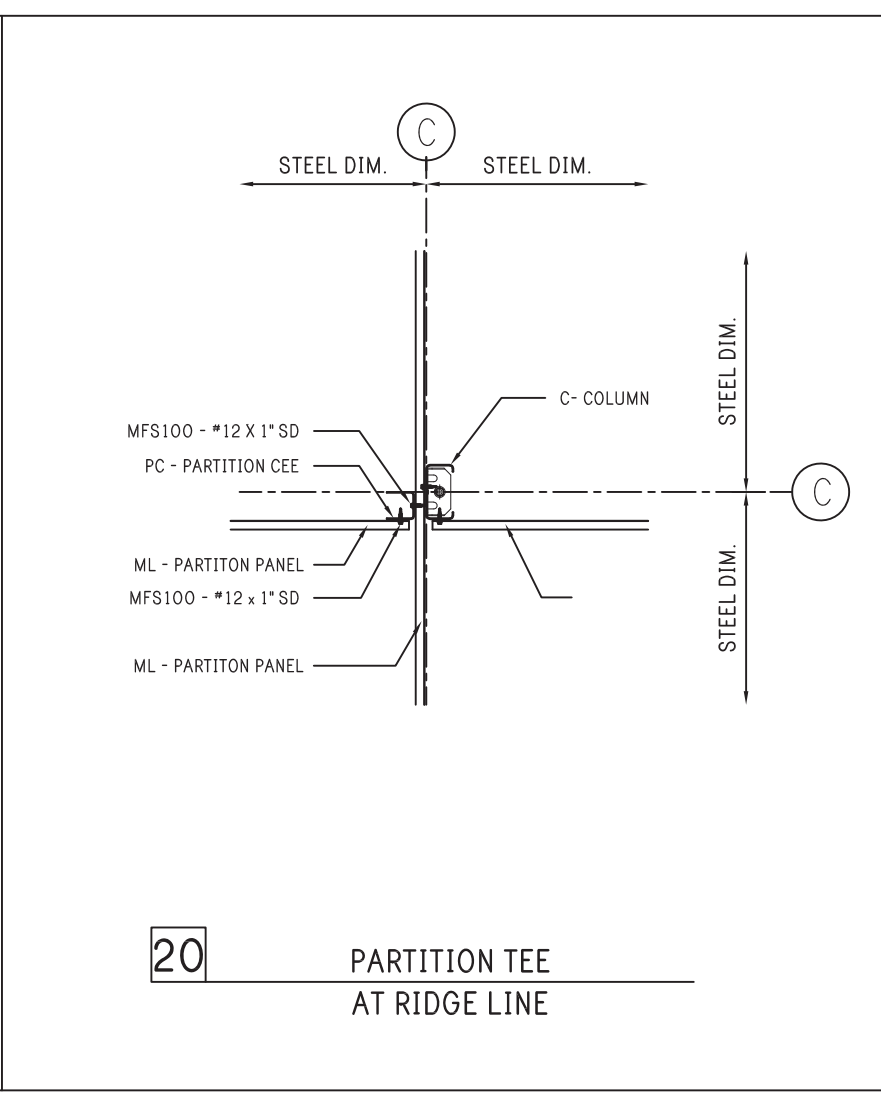
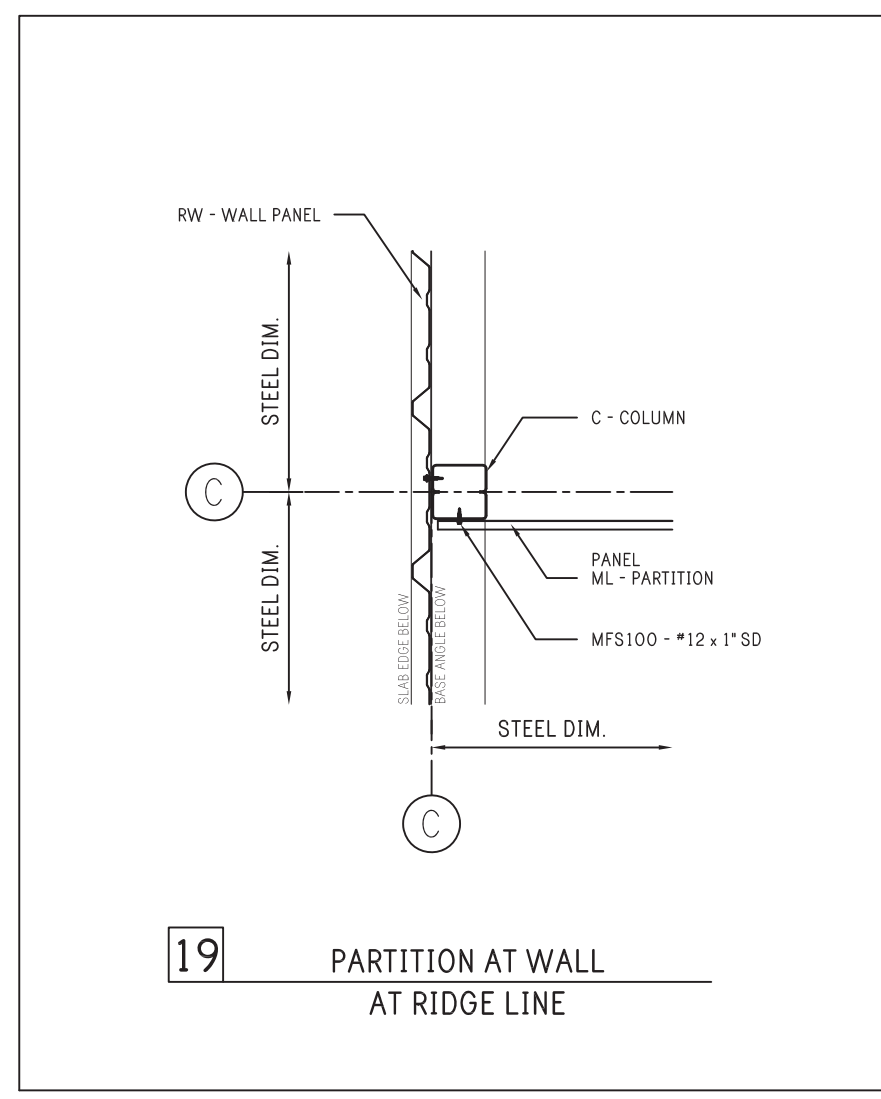


| | | | |
|------|--------------------|-----|-------|
| REV: | DESCRIPTION: | BY: | DATE: |
| | CONSTRUCTION ISSUE | | |

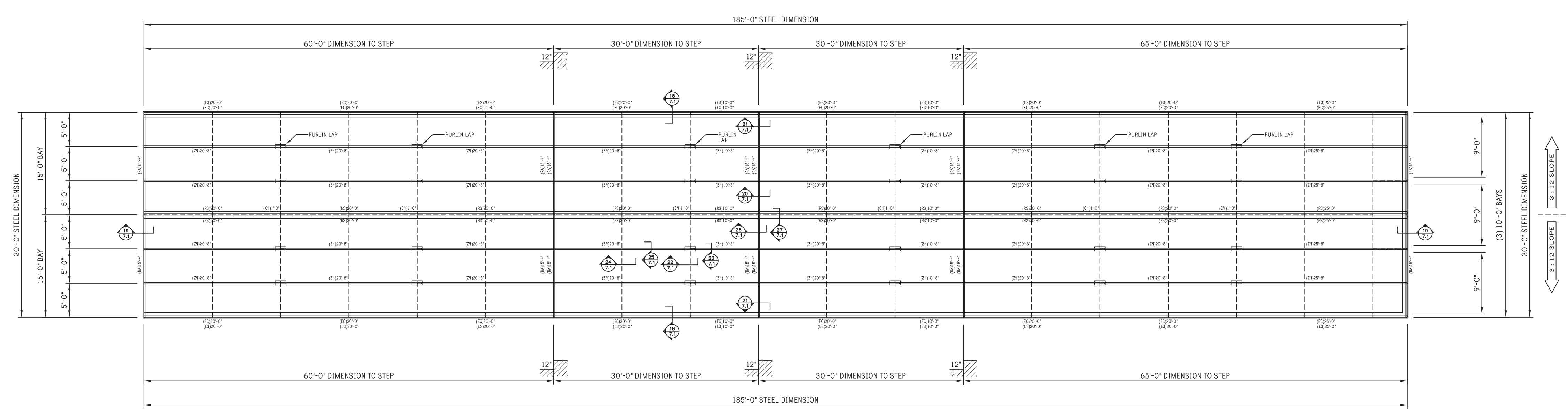
R & D Drafting, Inc.
 42801 S. 654 Rd.
 Jay, Oklahoma 74346
 Phone: 918-314-5328

PEAK STEEL
 CLIENT: P.O. BOX 1275
 Madison, GA 30650
 Phone: (844) 333-7325
 Fax: (706) 343-1968

SITE: 78 PINEY GROVE RAWLS ROAD
 FUQUAY VARINA, NC 27526
 TITLE: **30' x 185' x 8'-6"**
 JOB NO: 7116-24392 DATE: 11/04/20 DRAWN: JSG CHECKED: DSM
 SHEET NO: 6 of 8 DRAWING NO: RD080D20 REVISION:



Notes:



RAFTER PLAN



| | | | |
|---------|--------------------|-----|-------|
| REV: | DESCRIPTION: | BY: | DATE: |
| STATUS: | CONSTRUCTION ISSUE | | |

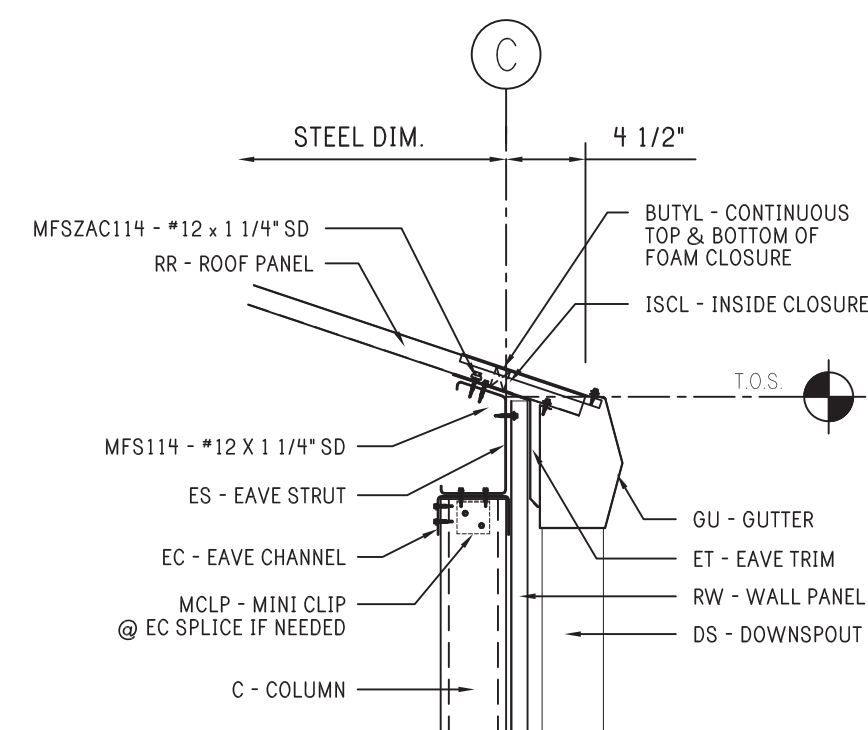
R & D Drafting, Inc.
 42801 S. 654 Rd.
 Jay, Oklahoma 74346
 Phone: 918-314-5328

PEAK STEEL
 CLIENT: P.O. BOX 1275
 Madison, GA 30650
 Phone: (844) 333-7325
 Fax: (706) 343-1968

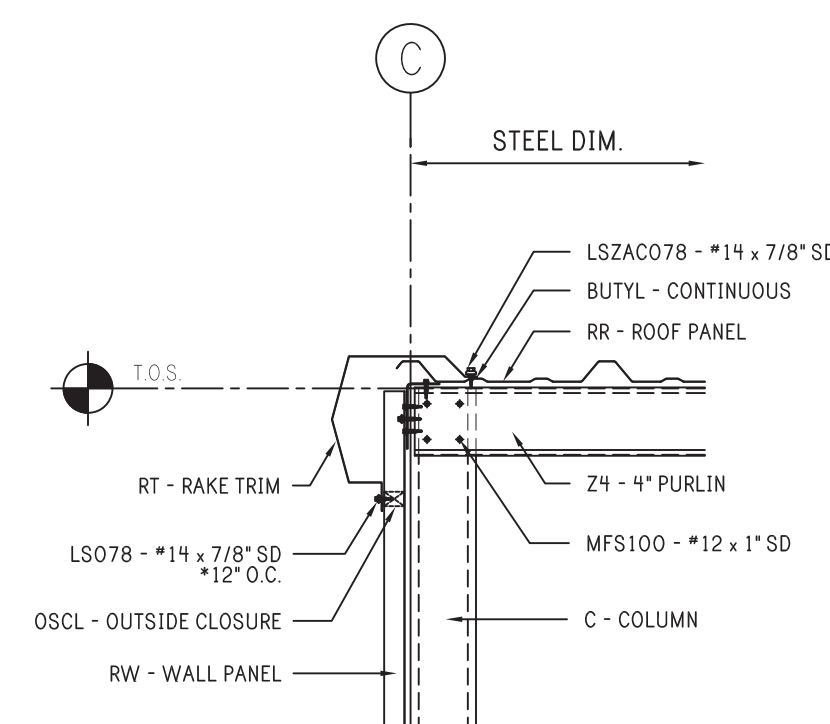
SITE: 78 PINEY GROVE RAWLS ROAD
 FUQUAY VARINA, NC 27526
 TITLE: **30' x 185' x 8'-6"**

| | | | |
|-----------------------|-------------------------|---------------|-----------------|
| JOB NO: 7116-24392 | DATE: 11/04/20 | DRAWN: JSG | CHECKED: DSM |
| SHEET NO: 7 of 8 | DRAWING NO: RD080D20 | REVISION: | |

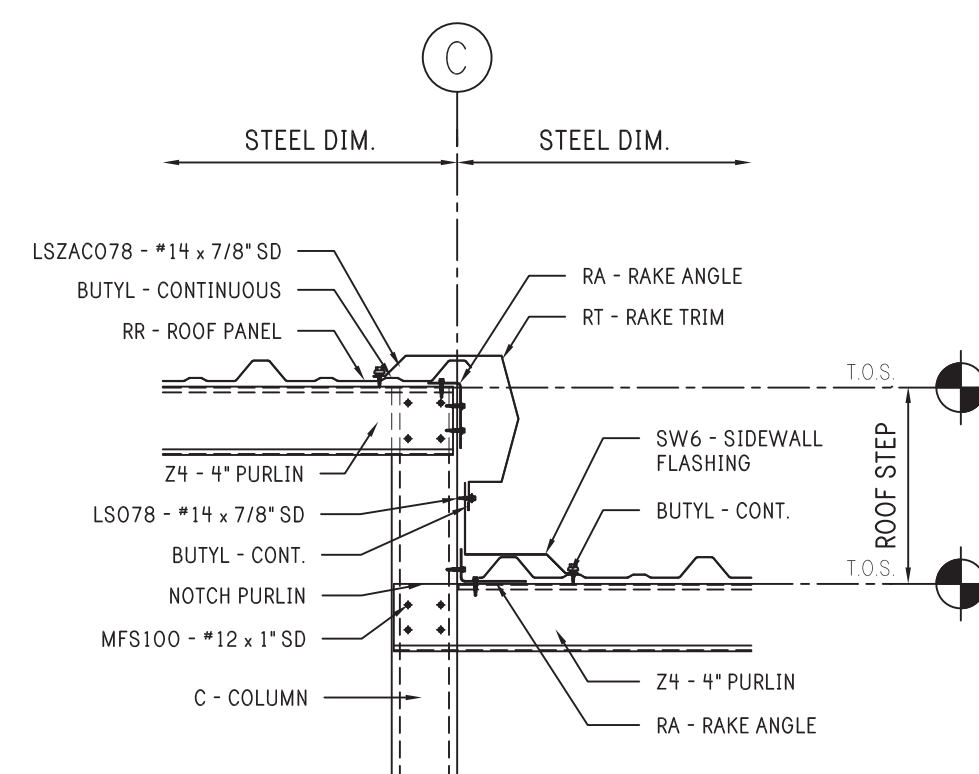
Notes:



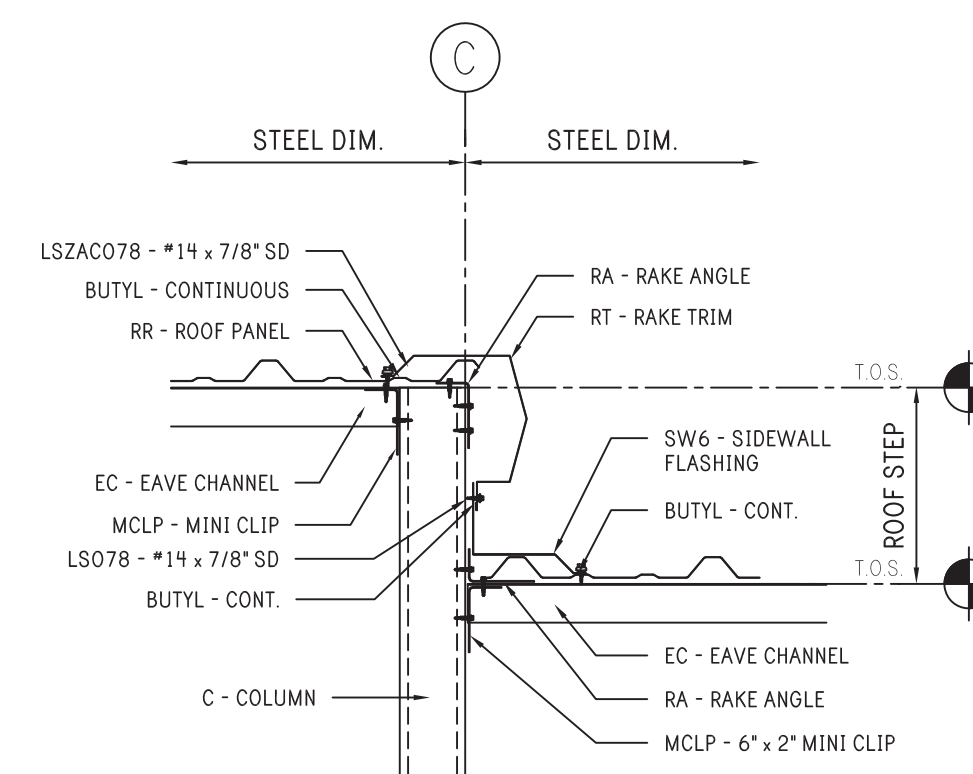
18 LOW EAVE STRUT w/ GUTTER



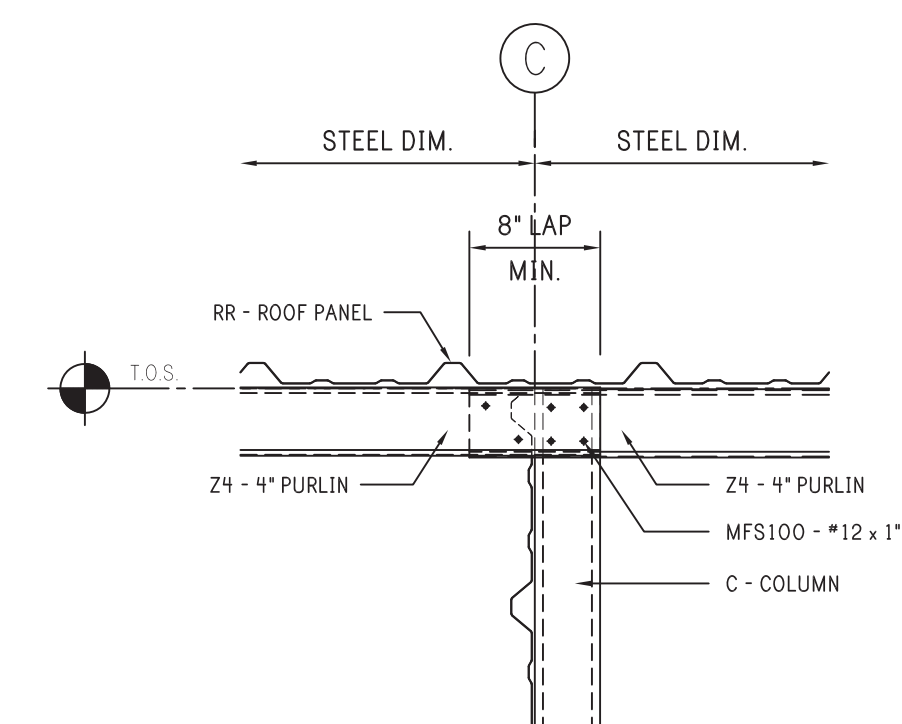
19 RAKE



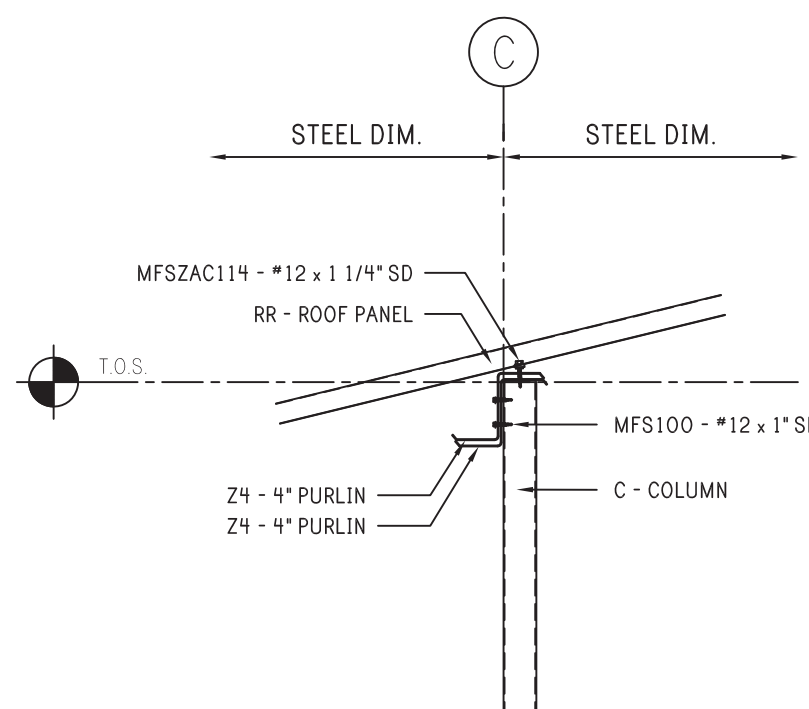
20 12" STEP AT PURLIN



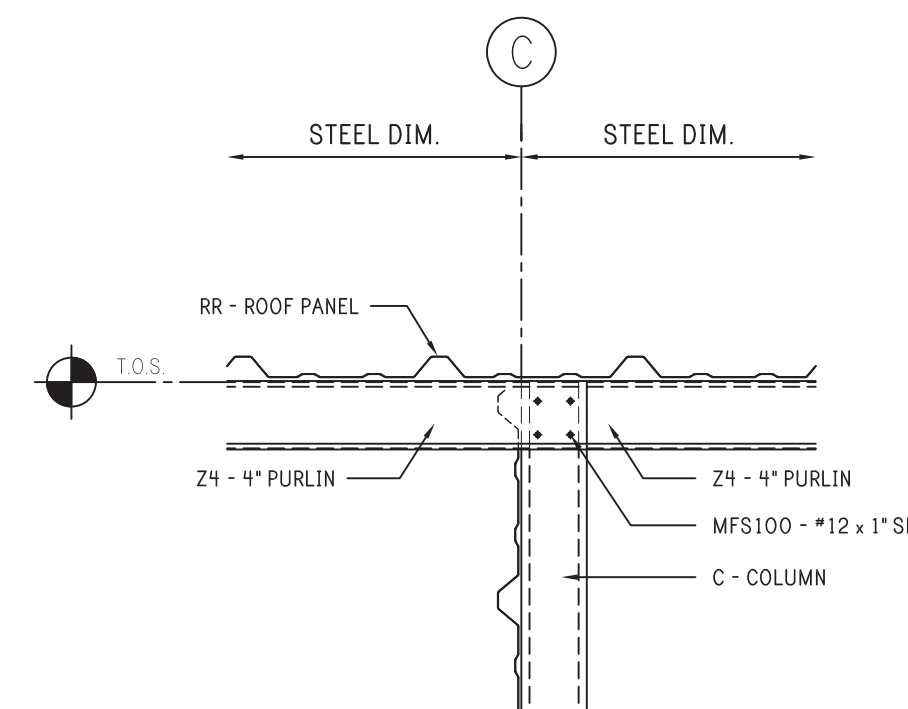
21 12" STEP AT EAVE



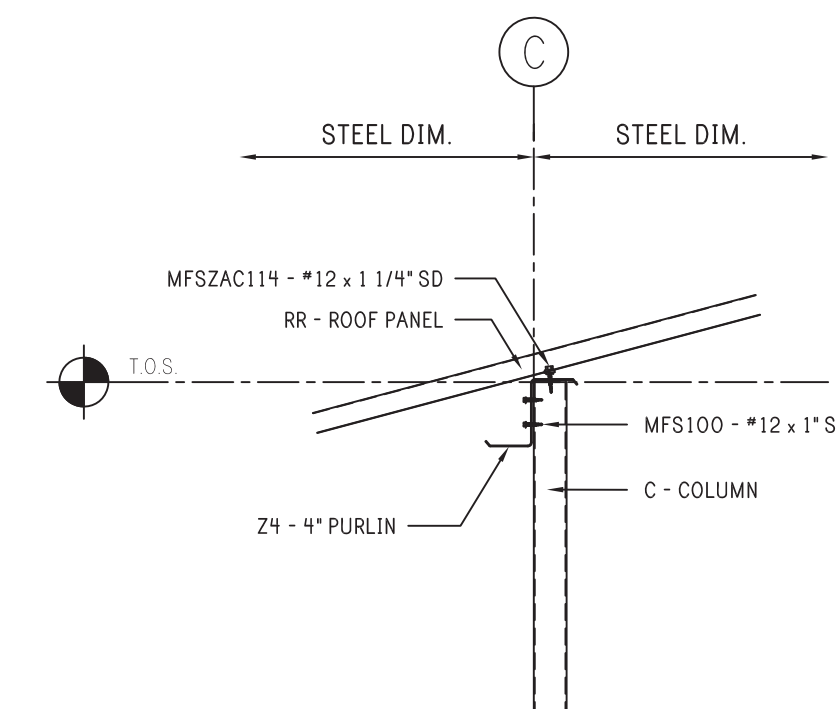
22 4" PURLIN LAP SIDE VIEW



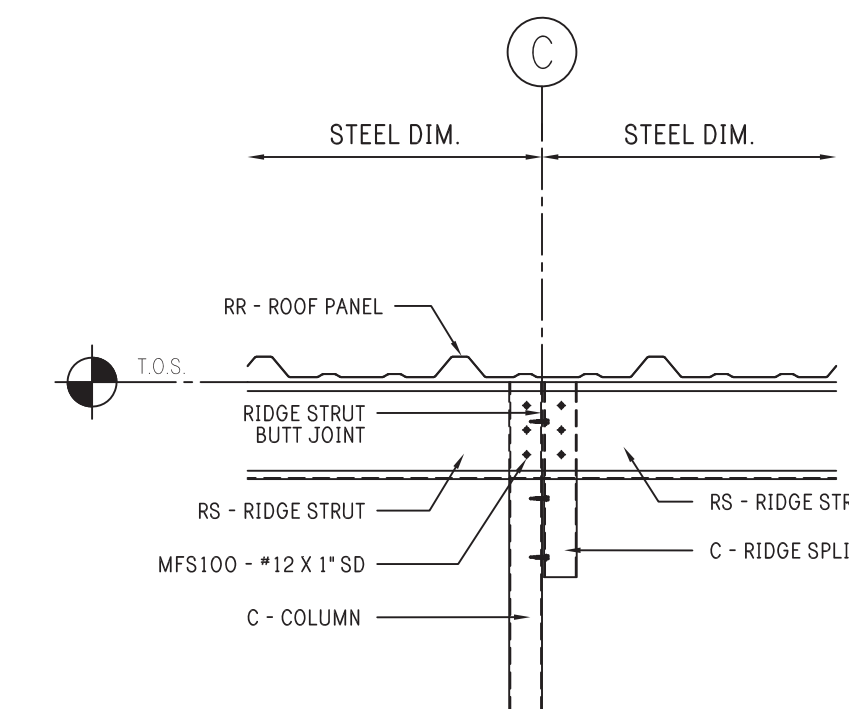
23 4" PURLIN LAP SECTION VIEW



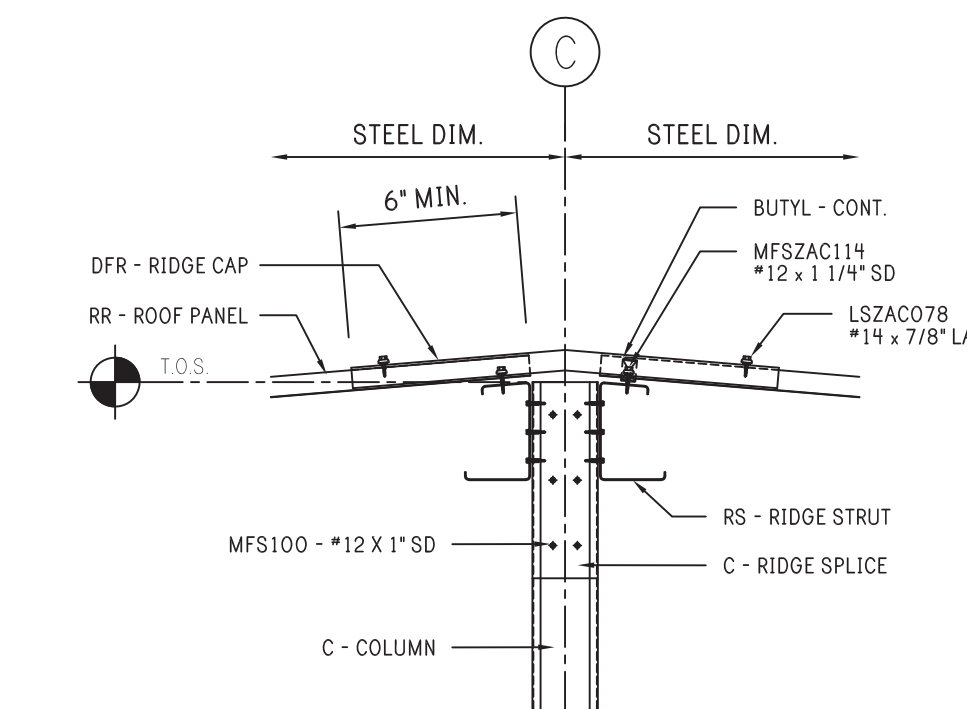
24 4" PURLIN SIDE VIEW



25 4" PURLIN SECTION VIEW



26 STRUT SPLICE - SIDE



27 STRUT SPLICE - SECTION



| | | | |
|----------------------------|--------------|-----|-------|
| REV: | DESCRIPTION: | BY: | DATE: |
| STATUS: CONSTRUCTION ISSUE | | | |

R & D Drafting, Inc.
 42801 S. 654 Rd.
 Jay, Oklahoma 74346
 Phone: 918-314-5328

PEAK STEEL
 CLIENT: P.O. BOX 1275
 Madison, GA 30650
 Phone: (844) 333-7325
 Fax: (706) 343-1968

SITE: 78 PINEY GROVE RAWLS ROAD
 FUYQUAY VARINA, NC 27526

TITLE: 30' x 185' x 8'-6"

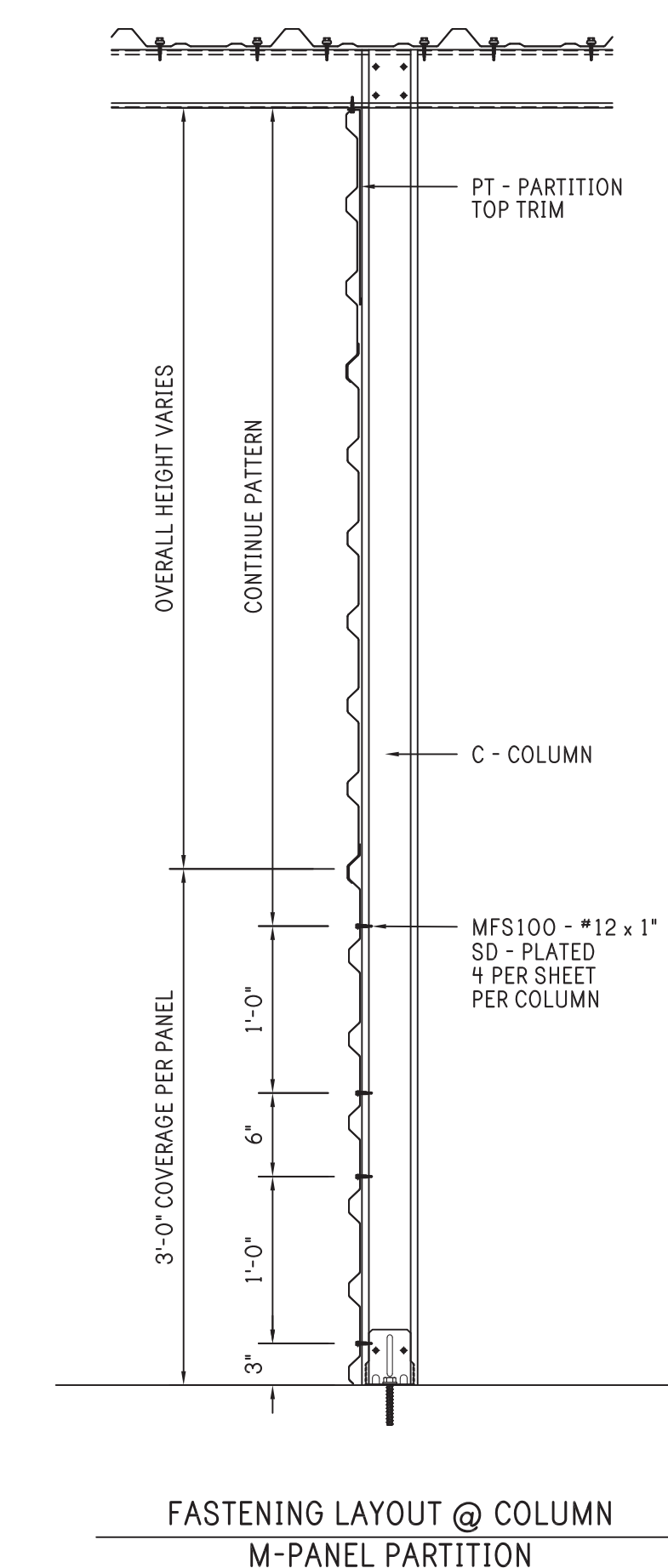
| | | | |
|-----------------------|-------------------------|---------------|-----------------|
| JOB NO: 7116-24392 | DATE: 11/04/20 | DRAWN: JSG | CHECKED: DSM |
| SHEET NO: 7.1 of 8 | DRAWING NO: RD080D20 | REVISION: | |

RAFTER DETAILS

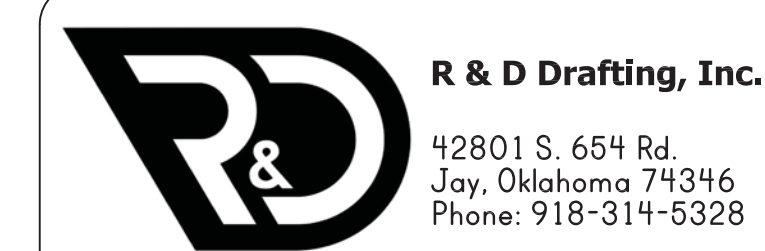
Notes:

ERECTOR NOTE

TOP PARTITION PANEL MAY BE BACK LAPPED AS NEEDED.
TOP TRIM IS USED TO FINISH OFF TO THE BOTTOM OF THE PURLIN.



REV: DESCRIPTION: BY: DATE:
STATUS: CONSTRUCTION ISSUE

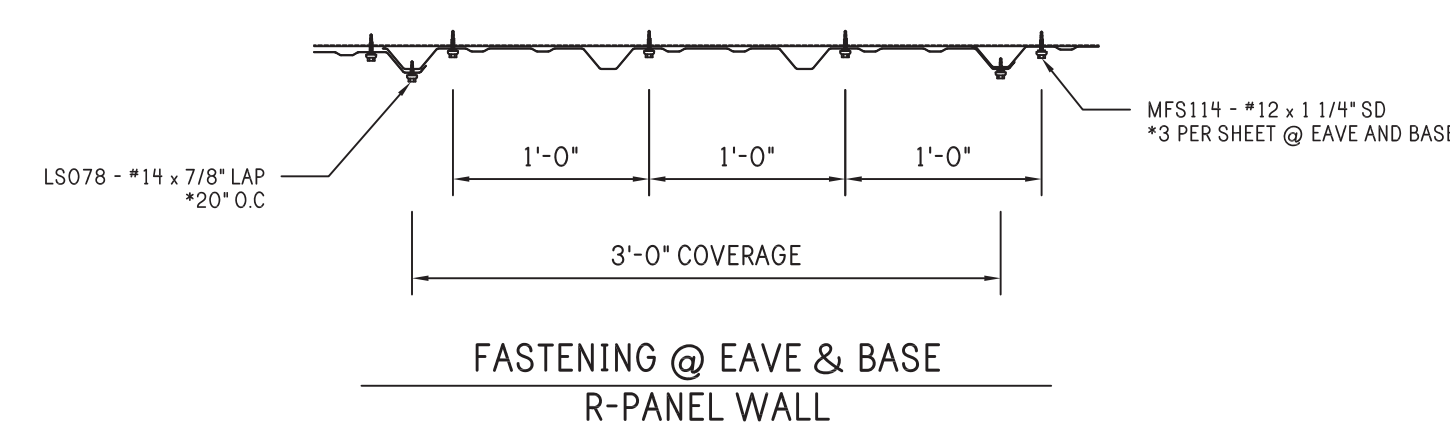
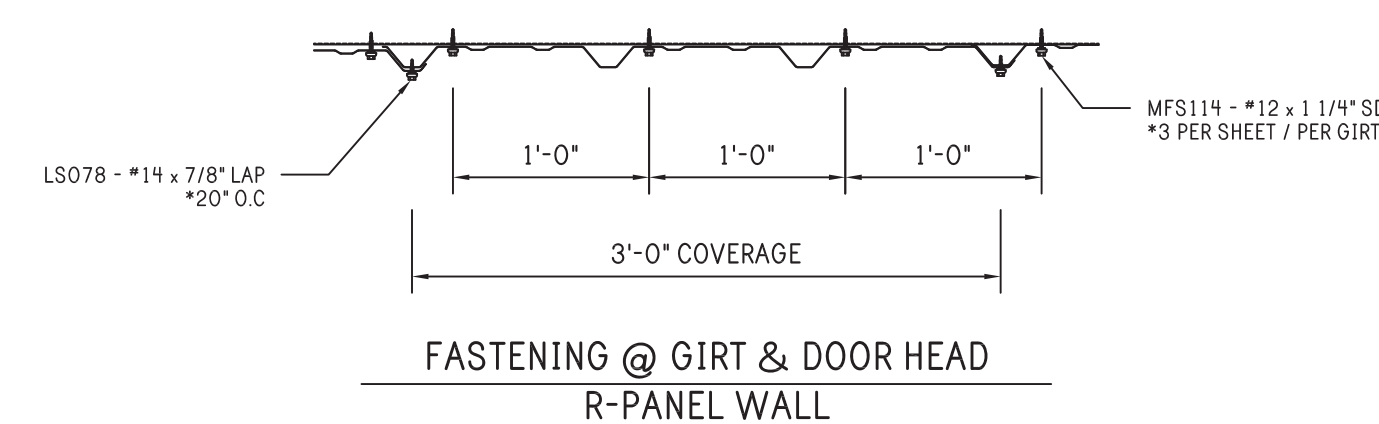
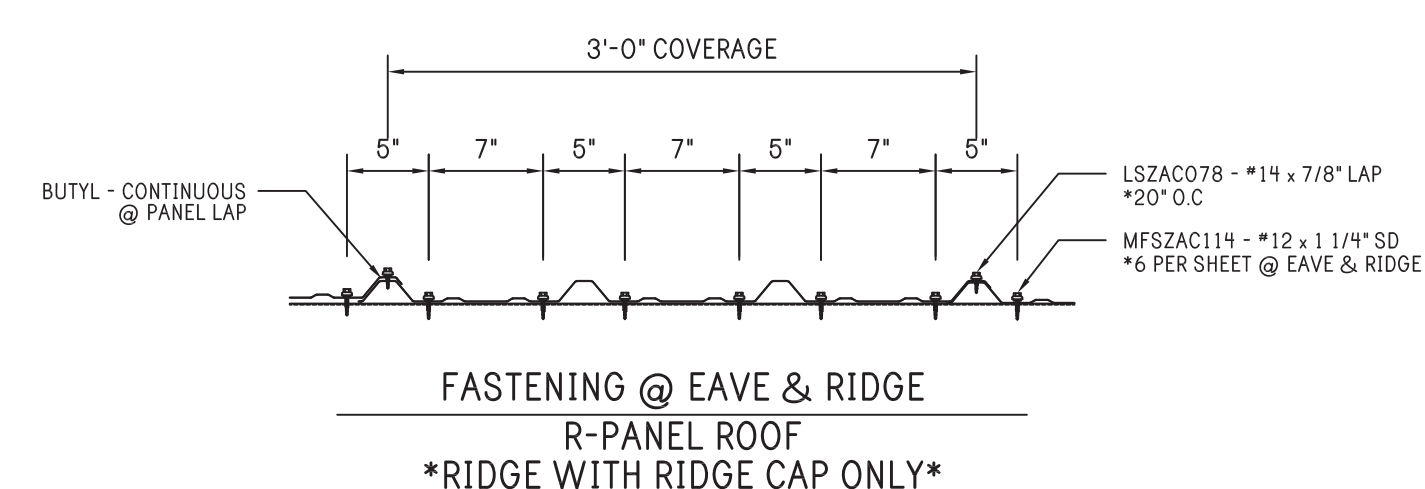
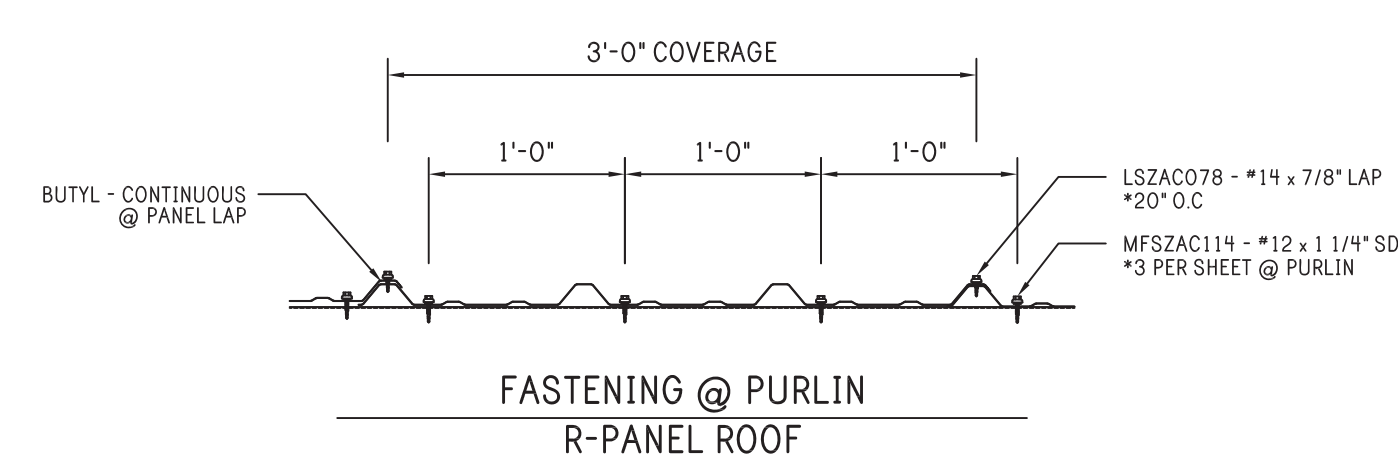


CLIENT: P.O. BOX 1275
Madison, GA 30650
Phone: (844) 333-7325
Fax: (706) 343-1968

SITE: 78 PINEY GROVE RAWLS ROAD
FUQUAY VARINA, NC 27526

TITLE: **30' x 185' x 8'-6"**

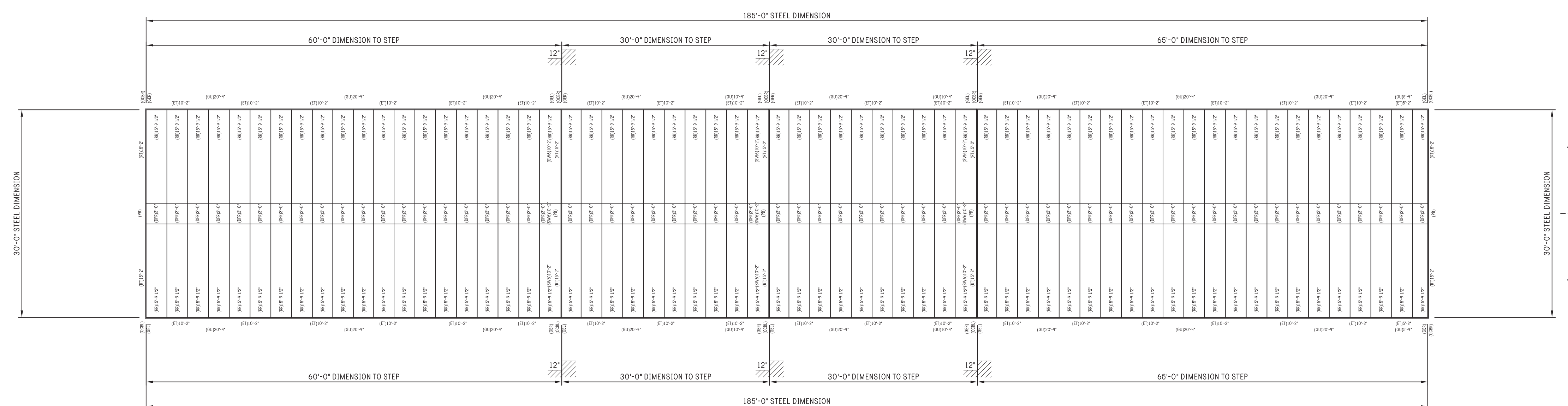
| | | | |
|-----------------------|-------------------------|---------------|-----------------|
| JOB NO: 7116-24392 | DATE: 11/04/20 | DRAWN: JSG | CHECKED: DSM |
| SHEET NO: 7.2 of 8 | DRAWING NO: RD080D20 | REVISION: | |



ATTACHMENT DETAILS

Notes:

- CLOSURES**
 (124) INSIDE CLOSURES INCLUDED FOR LOW EAVE.
 (16) INSIDE CLOSURES INCLUDED FOR BASE OF EXTERIOR WALL PANELS.
 (20) OUTSIDE CLOSURES INCLUDED FOR RAKE.



ROOF PLAN



| | | | |
|---------|--------------------|-----|-------|
| REV: | DESCRIPTION: | BY: | DATE: |
| STATUS: | CONSTRUCTION ISSUE | | |

R & D Drafting, Inc.
 42801 S. 654 Rd.
 Jay, Oklahoma 74346
 Phone: 918-314-5328

PEAK STEEL
 CLIENT: P.O. BOX 1275
 Madison, GA 30650
 Phone: (844) 333-7325
 Fax: (706) 343-1968

SITE: 78 PINEY GROVE RAWLS ROAD
 FUQUAY VARINA, NC 27526

TITLE: **30' x 185' x 8'-6"**

| | | | |
|-----------------------|-------------------------|---------------|-----------------|
| JOB NO: 7116-24392 | DATE: 11/04/20 | DRAWN: JSG | CHECKED: DSM |
| SHEET NO: 8 of 8 | DRAWING NO: RD080D20 | REVISION: | |