

Harnett County Central Permitting

PO Box 65 Lillington, NC 27546 - Ph: 910-893-7525 - Fx: 910-893-2793 - www.harnett.org/permits

Certification of Work Performed By Owner/Contractor (Individual Trade Application)

Owner (s) of Structure: Wal-Mart Stores East, LP Phone: 919-356-6598

Owner (s) Mailing Address: GBR Pizza, Inc dba Domino's Pizza
PO Box 1043

Land Owner Name (s): Wal-Mart Stores East, LP Phone: 919-356-6598

Construction or Site Address: 2800 NC-28 #87, Cameron, NC 28326

PIN # N/A Parcel # N/A

Job Cost: \$4000 Description of Work to be done: Tenant upfit to add Dominos in existing Walmart.

Mechanical: New Unit With Ductwork New Unit Without Ductwork Gas Piping Other

Electrical*: 200 Amp <200 Amp Service Change Service Reconnect Other

* For Progress Energy customers we need the premise number

Plumbing: Water/Sewer Tap Number of Baths 0 Water Heater

Specific Directions to Job from Lillington:

Enter "Cameron Walmart" in GPS/Google Maps for best directions.

Subdivision: N/A Lot #: N/A

I Luke Cunningham will provide the Fire Sprinkler labor on this structure.
(Contractors Name) (Trade)

I am the building owner or my NC state license number is FS-34661, which entitles me to perform such work on the above structure legally. All work shall comply with the State Building Code and all other applicable State and local laws, ordinances and regulations.

BFPE, Int'l.

(919)550-2699

Contractor's Company Name

Telephone

115 Best Wood Dr, Clayton, NC 27520

lcunningham@bfpe.com

Address

Email Address

FS-34661

License #

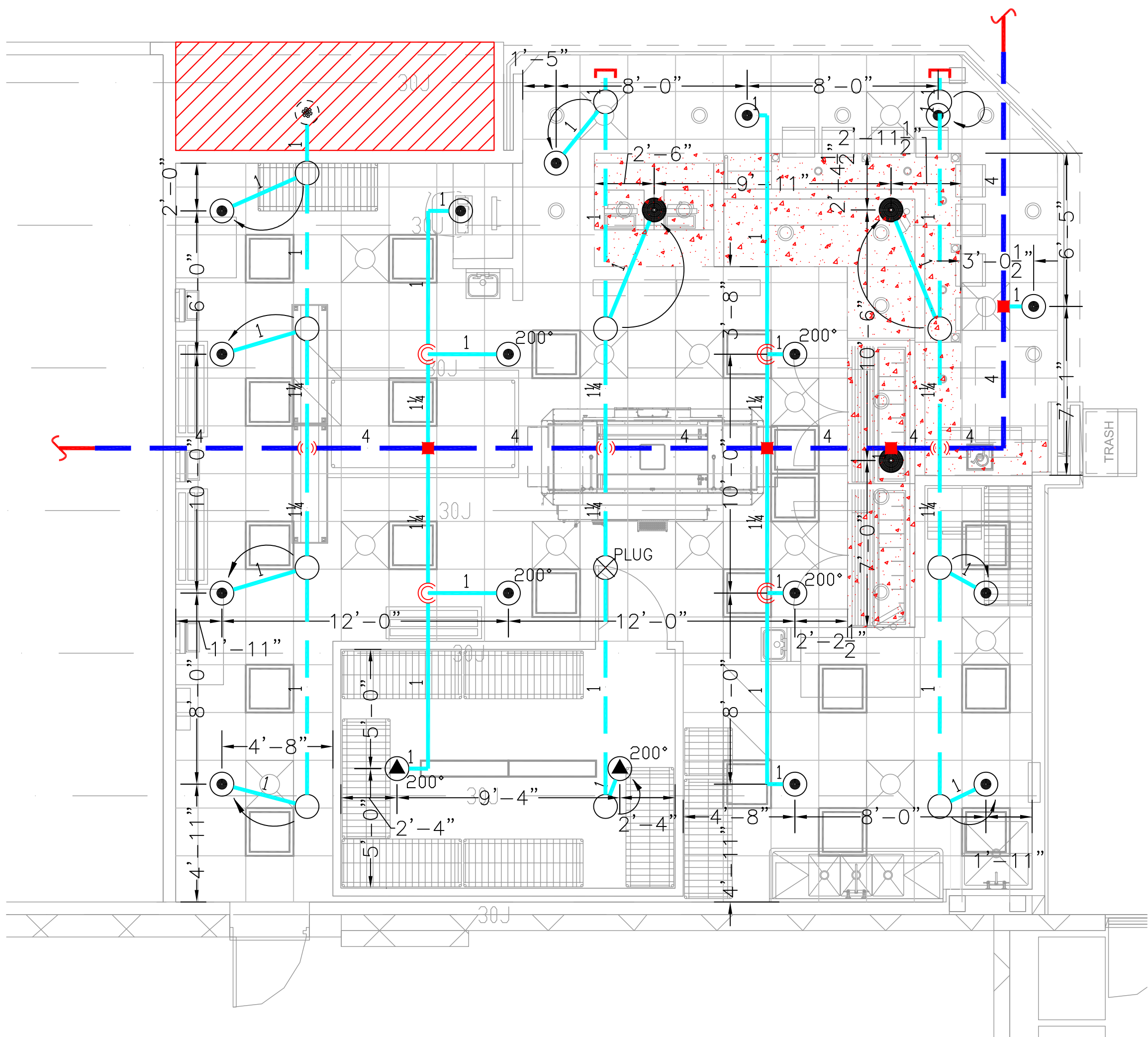
Structure Owner / Contractor Signature:  Date: 10/27/2020

By signing this application you affirm that you have obtained permission from the above listed license holder to purchase permits on their behalf. If doing the work as owner you understand that you cannot rent, lease or sell the listed property for 12 months after completion of the listed work.

***Company name, address, & phone must match information on license**

GENERAL NOTES:

1. THE DESIGN, MATERIALS, AND INSTALLATION SHALL BE IN ACCORDANCE WITH NFPA 13, 2013 EDITION, MANUFACTURERS RECOMMENDATIONS, APPLICABLE LOCAL AND STATE BUILDING CODES, OWNERS INSURANCE UNDERWRITER, AND LOCAL AUTHORITIES HAVING JURISDICTION.
2. ALL MATERIALS USED IN THIS INSTALLATION SHALL CONFORM TO THE STANDARDS OUTLINED IN NFPA 13, CHAPTER 6, "SYSTEM COMPONENTS", 2013 EDITION.
3. ALL MATERIALS AND EQUIPMENT SHALL BE NEW, UL LISTED FOR THE INTENDED USE AND SHALL BE INSTALLED IN FULL COMPLIANCE WITH MANUFACTURE'S RECOMMENDATIONS.
4. ALL NEW AND EXISTING SPRINKLER PIPE 1/2" AND SMALLER IS SCHEDULE-40 BLACK STEEL WITH THREADED ENDS AND FITTINGS. ALL NEW AND EXISTING SPRINKLER PIPE 2" AND LARGER IS SCHEDULE-10 BLACK STEEL WITH GROOVED ENDS AND FITTINGS.
5. SPRINKLER HEAD SPACING IS BASED ON THE NFPA STANDARDS FOR ORDINARY HAZARD OCCUPANCIES ALLOWING A MAXIMUM HEAD SPACING OF 130 S.F. PER HEAD.
6. LOCATION OF PIPING AS SHOWN ON THE DRAWINGS ARE APPROXIMATE AND SUBJECT TO MINOR ADJUSTMENTS IN THE FIELD.
7. THE TENANT SHALL REMOVE ANY COMBUSTIBLE MATERIALS LOCATED ABOVE THE EXISTING CEILINGS.
8. REMOVE EXISTING SPRINKLER HEAD AND 1" BREAK OVERS TO 1" OUTLET ON BRANCH LINES.
9. INSTALL ALL NEW SPRINKLER HEADS PER HEAD LEGEND.
10. NEW SPRINKLER HEAD LOCATIONS ARE TO BE IN CENTER OF CEILING TILE USING THE ARCHITECT'S REFLECTED CEILING PLANS.
11. ALL SPRINKLER ALARM, TAMPER AND DETECTION SYSTEMS ARE TO BE CONNECTED TO THE BUILDING CENTRAL FIRE ALARM SYSTEM BY OTHERS.
12. FIRESTOP ALL RATED PENETRATIONS WITH LISTED UL SYSTEM TO MATCH RATING OF WALL OR FLOOR.
13. ALL AREAS IN WHICH PIPING IS INSTALLED SHALL BE HEATED AND MAINTAINED AT 40° FAHRENHEIT MINIMUM BY OWNER.
14. ALL BREAK OVERS AND DROPS ARE 1" SCH. 40.
15. UNSUPPORTED BREAK OVERS SHALL NOT EXCEED 12".



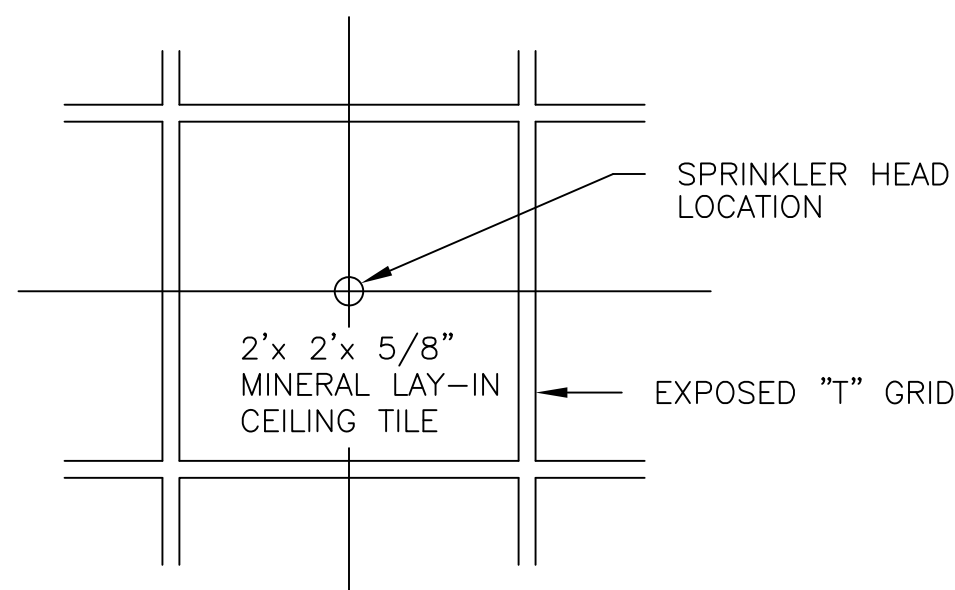
1 FIRE SPRINKLER PLAN
FS-01/SCALE: 1/4" = 1'-0"

- DROP IN CEILING TILE AT 9'-9" A.F.F.
- SHEET ROCK SOFFIT AT 9'-1" A.F.F.

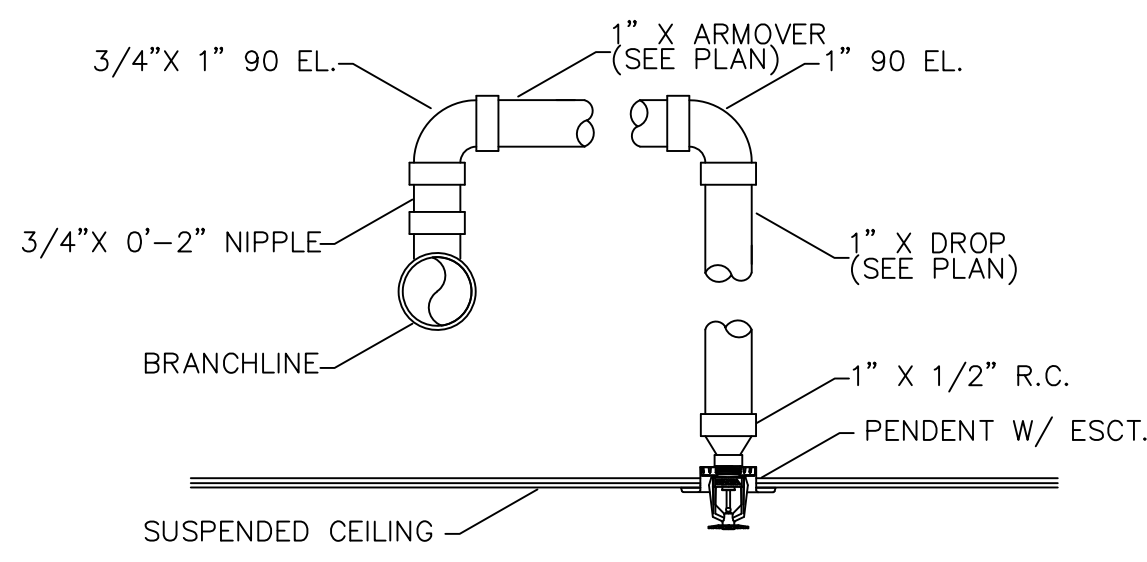
NOTE: EXISTING SYSTEM HAS BEEN HYDRAULICALLY PROVEN IN A MORE DEMANDING AREA TO PROVIDE A DENSITY OF .425 GPM/SQ. FT. OVER AN AREA OF 2000 SQ. FT. THUS, FURTHER HYDRAULIC CALCULATIONS SHOULD NOT BE REQUIRED.

SYMBOLS:

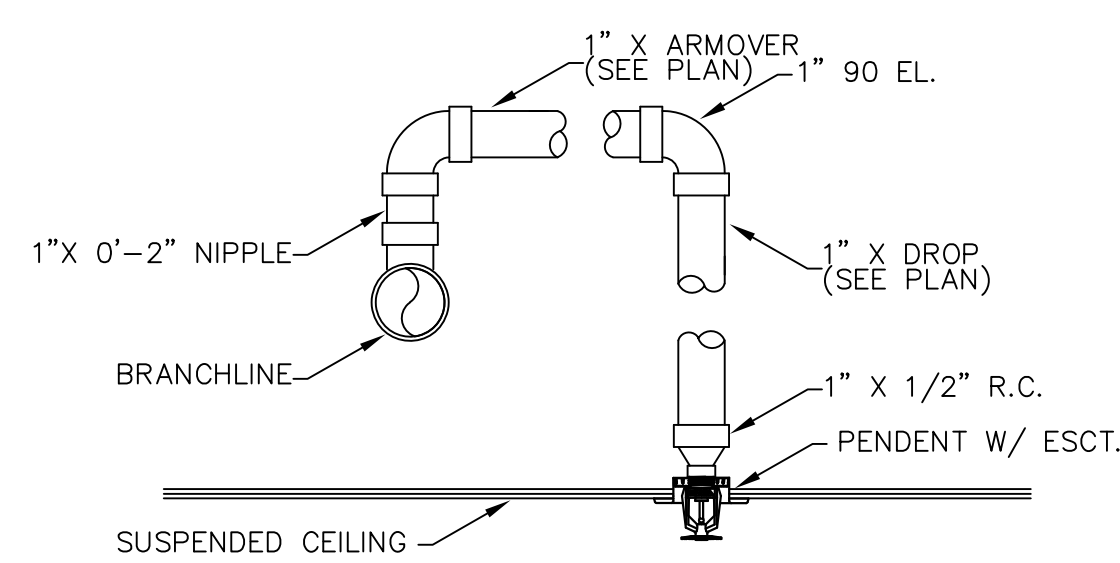
- NEW QUICK RESPONSE SEMI-RECESS PENDENT SPRINKLER
- NEW QUICK RESPONSE CONCEALED PENDENT SPRINKLER
- NEW QUICK RESPONSE SEMI-RECESS DRY PENDENT SPRINKLER
- EXISTING ORDINARY RESPONSE UPRIGHT SPRINKLER
- REMOVE EXISTING UPRIGHT AND REPLACE WITH NEW PENDENT SPRINKLER
- EXISTING SPRINKLER TO BE REMOVED AND PLUGGED
- NEW FIRE SPRINKLER MAIN PIPING
- NEW FIRE SPRINKLER LINE PIPING
- EXISTING FIRE SPRINKLER MAIN PIPING
- EXISTING FIRE SPRINKLER LINE PIPING
- NEW 4" x 1 1/4" OR 4" x 1" MECH. TEE (SEE PLANS)
- AREA NOT IN CONTRACT



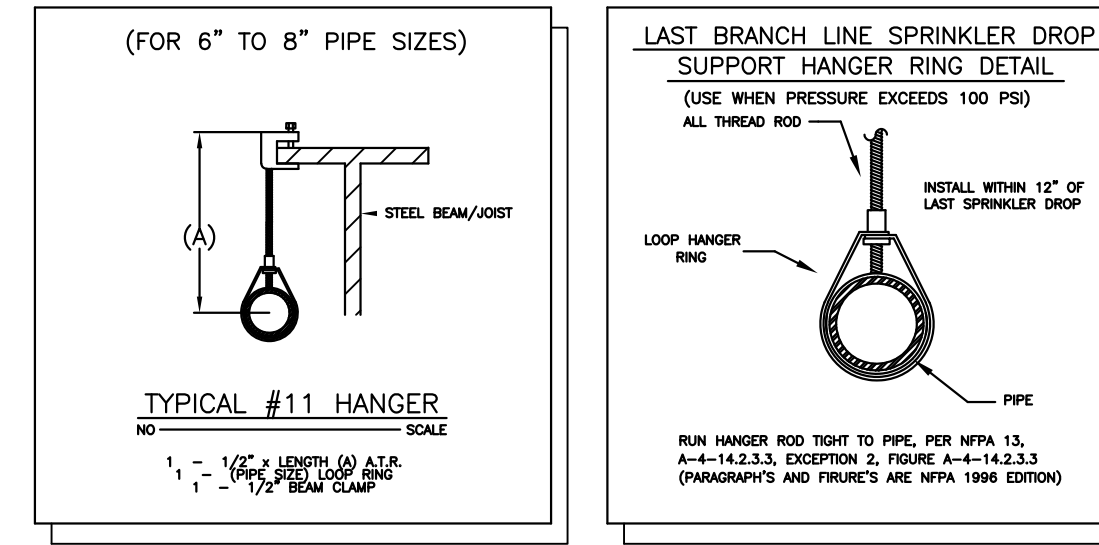
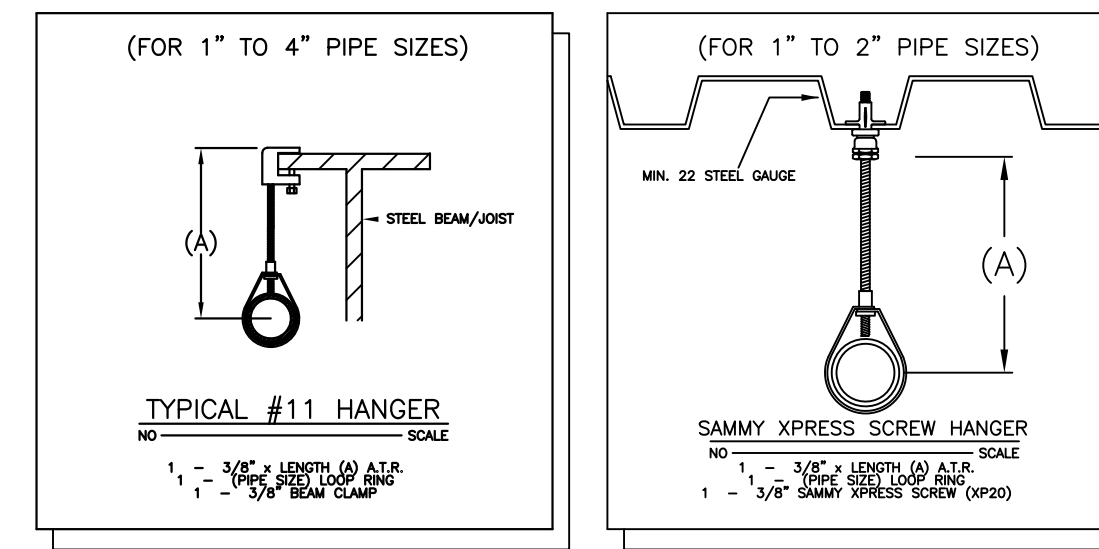
2 CENTER OF TILE DETAIL
FS-01/SCALE: NTS



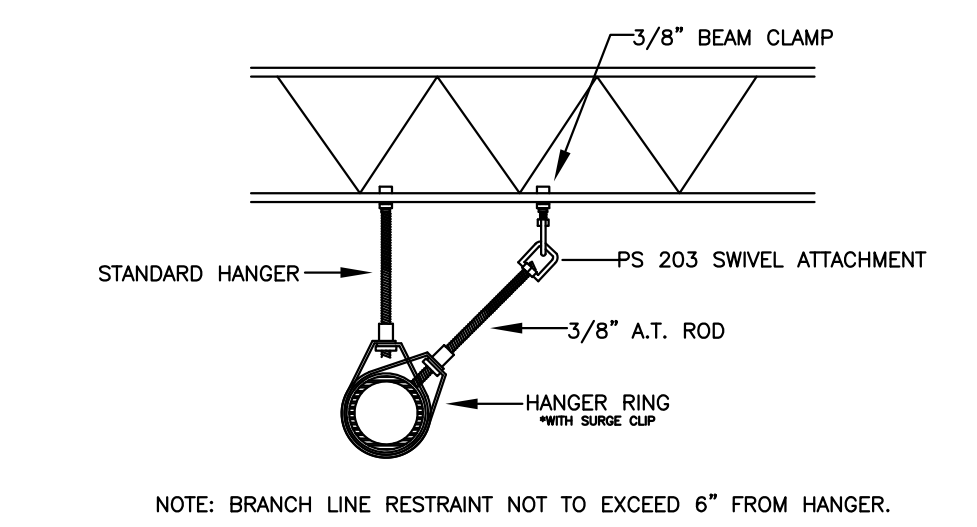
3 RETURN BEND DETAIL - EXISTING LINES
FS-01/SCALE: NTS



4 RETURN BEND DETAIL - NEW LINES
FS-01/SCALE: NTS

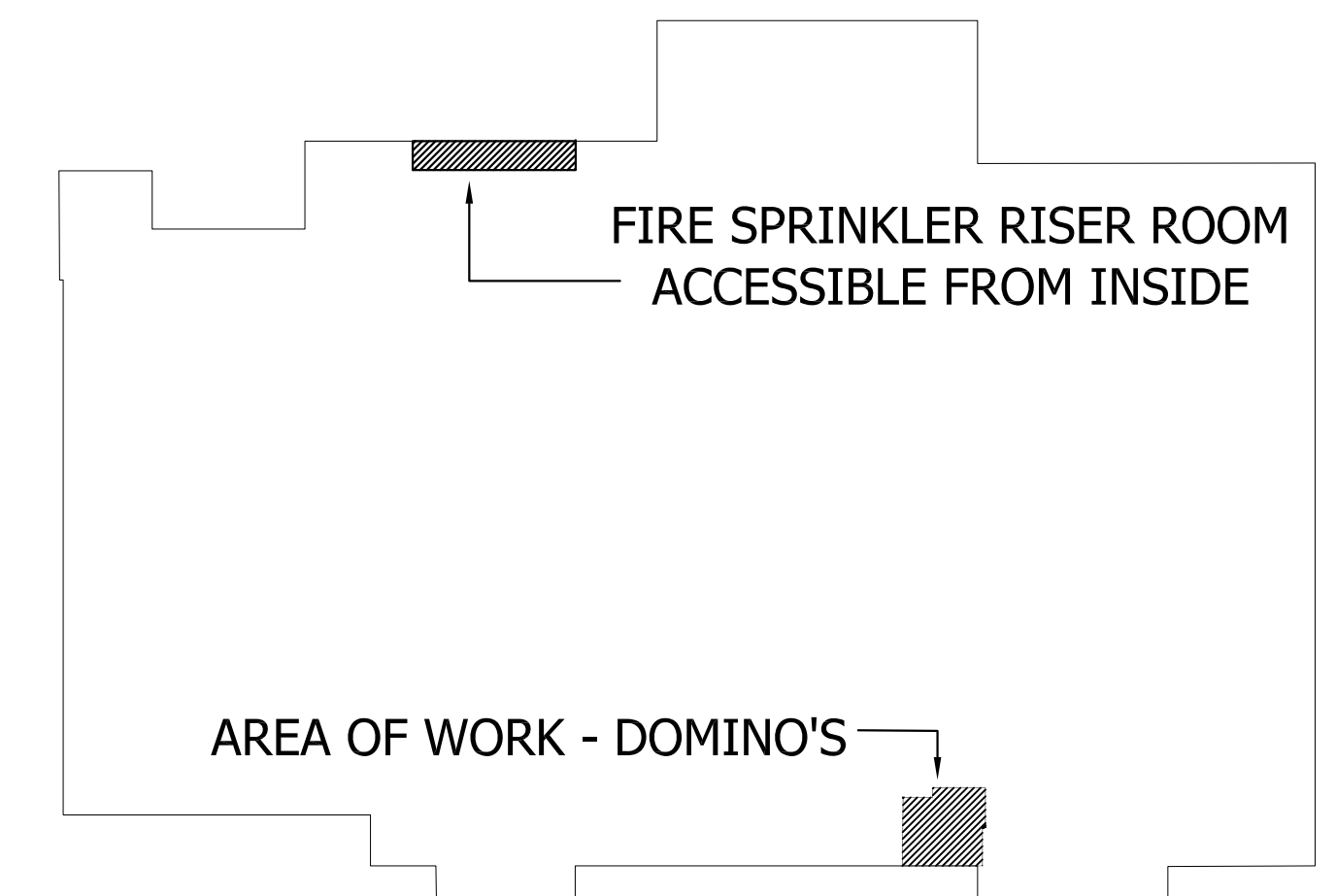


5 TYPICAL HANGER DETAILS
FS-01/SCALE: NTS



6 END OF LINE RESTRAINT DETAIL
FS-01/SCALE: NTS

Reviewed For Code Compliance By:
D. Banks Wallace
Chief Deputy Fire Marshal
11/02/2020 3:35:24 PM



7 SITE PLAN
FS-01/SCALE: NTS

Symbol	Description	This fire sprinkler design drawing has been prepared by BFPE International as a licensed fire protection sprinkler contractor under Article 2 of Chapter 87 of the General Statutes for the State of North Carolina.
	Hydraulic Reference Point	Exclusive use pursuant to G.S.-89C-25(8) is for BFPE International and BFPE International shall perform any and all installation work and other work performed in reliance on the drawing pursuant to G.S.-55B-15(A)(2).
	Elev. Below Top of Steel	
	Elev. Above Finished Floor	Installation work or any other work performed by another person or entity in reliance upon this drawing or any copy thereof is strictly prohibited.
	Elev. of Top of Steel	
	Ceiling Height	Copyright BFPE International. All rights reserved.
	Denotes Hanger Location	
	Rise up or down	
	Room name or use	
	Sleeve Location	
	BFPE Start Point	

SYSTEM DESIGN CRITERIA	
TYPE SYSTEM: <input checked="" type="checkbox"/> WET <input type="checkbox"/> DRY <input type="checkbox"/> PA	NFPA STANDARD: <input checked="" type="checkbox"/> #13 <input type="checkbox"/> #13R <input type="checkbox"/> #20 <input type="checkbox"/> #24 <input type="checkbox"/> #231C
Sprinklers ARE required to be located in the center or quarter points of ceiling tiles.	
OCCUPANCY: RESTAURANT	HAZARD: ORDINARY HAZARD
MAXIMUM SPACING: 130 SQ.FT.	Local Hose Threads: N.S.T.
PIPE TYPES AND FITTING TYPES	
BRANCHLINE PIPING: SCH. 40	BRANCHLINE FITTINGS: THREADED
MAIN PIPING: SCH. 10	MAIN FITTINGS: GROOVED

APPROVING AUTHORITY: HARNETT COUNTY UNDERWRITER:	NOVA
GENERAL CONTRACTOR: WESTROC CONSTRUCTION, LLC	ADDRESS: PO BOX 8513 ROCKY MOUNT, NC 27804 (252)855-0768
CITY & STATE:	CLAYTON, NC 27520
PHONE NO.:	(252)855-0768
FAX NO.:	

PROJECT #:	RA-A5868-SP-20
DATE:	10-20-2020
DRAWN BY:	L. Cunningham
SCALE:	AS NOTED
DRAWING #:	FS-01
	OF 01

REVISIONS		DATE
#	DESCRIPTION	
1	QUANTITY	
2	ESCHTOCHON	
3	RECESSED	
4	TYCO	
5	TYCO	
6	TYCO	
7	TYCO	
8	TYCO	
9	TYCO	
10	TYCO	
11	TYCO	
12	TYCO	
13	TYCO	
14	TYCO	
15	TYCO	
16	TYCO	
17	TYCO	
18	TYCO	
19	TYCO	
20	TYCO	
21	TYCO	
22	TYCO	
23	TYCO	
24	TYCO	
25	TYCO	
26	TYCO	
27	TYCO	
28	TYCO	
29	TYCO	
30	TYCO	
31	TYCO	
32	TYCO	
33	TYCO	
34	TYCO	
35	TYCO	
36	TYCO	
37	TYCO	
38	TYCO	
39	TYCO	
40	TYCO	
41	TYCO	
42	TYCO	
43	TYCO	
44	TYCO	
45	TYCO	
46	TYCO	
47	TYCO	
48	TYCO	
49	TYCO	
50	TYCO	
51	TYCO	
52	TYCO	
53	TYCO	
54	TYCO	
55	TYCO	
56	TYCO	
57	TYCO	
58	TYCO	
59	TYCO	
60	TYCO	
61	TYCO	
62	TYCO	
63	TYCO	
64	TYCO	
65	TYCO	
66	TYCO	
67	TYCO	
68	TYCO	
69	TYCO	
70	TYCO	
71	TYCO	
72	TYCO	
73	TYCO	
74	TYCO	
75	TYCO	
76	TYCO	
77	TYCO	
78	TYCO	
79	TYCO	
80	TYCO	
81	TYCO	
82	TYCO	
83	TYCO	
84	TYCO	
85	TYCO	
86	TYCO	
87	TYCO	
88	TYCO	
89	TYCO	
90	TYCO	
91	TYCO	
92	TYCO	
93	TYCO	
94	TYCO	
95	TYCO	
96	TYCO	
97	TYCO	
98	TYCO	
99	TYCO	
100	TYCO	

tyco Fire Suppression & Building Products

Technical Services 800-381-9312 | +1-401-781-8220
www.tyco-fire.com

Series TY-FRB – 2.8, 4.2, 5.6, and 8.0 K-Factor Upright, Pendent, and Recessed Pendent Sprinklers Quick Response, Standard Coverage

General Description

The TYCO Series TY-FRB, 2.8, 4.2, 5.6, and 8.0 K-factor, Upright and Pendent Sprinklers described in this data sheet are quick response, standard coverage, decorative 3 mm glass bulb-type spray sprinklers designed for use in light or ordinary hazard, commercial occupancies such as banks, hotels, and shopping malls.

The recessed version of the Series TY-FRB Pendent Sprinkler, where applicable, is intended for use in areas with a finished ceiling. This recessed pendent sprinkler uses one of the following,

- A two-piece Style 10 (1/2 inch NPT) or Style 40 (3/4 inch NPT) Recessed Escutcheon with 1/2 inch (12,7 mm) of recessed adjustment or up to 3/4 inch (19,1 mm) of total adjustment from the flush pendent position, or a
- A two-piece Style 20 (1/2 inch NPT) or Style 30 (3/4 inch NPT) Recessed Escutcheon with 1/4 inch (6,4 mm) of recessed adjustment or up to 1/2 inch (12,7 mm) of total adjustment from the flush pendent position.

The adjustment provided by the Recessed Escutcheon reduces the accuracy to which the fixed pipe drops to the sprinklers must be cut.

IMPORTANT

Always refer to Technical Data Sheet TFP700 for the "INSTALLER WARNING" that provides cautions with respect to handling and installation of sprinkler systems and components. Improper handling and installation can permanently damage a sprinkler system or its components and cause the sprinkler to fail to operate in a fire situation or cause it to operate prematurely.

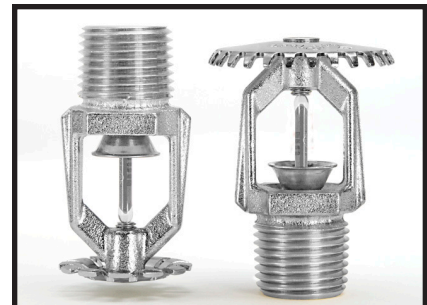
Corrosion-resistant coatings, where applicable, are utilized to extend the life of copper alloy sprinklers beyond that which would otherwise be obtained when exposed to corrosive atmospheres. Although corrosion-resistant coated sprinklers have passed the standard corrosion tests of the applicable approval agencies, the testing is not representative of all possible corrosive atmospheres. Consequently, it is recommended that the end user be consulted with respect to the suitability of these coatings for any given corrosive environment. The effects of ambient temperature, concentration of chemicals, and gas/chemical velocity, should be considered, as a minimum, along with the corrosive nature of the chemical to which the sprinklers will be exposed.

An intermediate level of the Series TY-FRB Pendent Sprinklers is detailed in Technical Data Sheet TFP356, and Sprinkler Guards are detailed in Technical Data Sheet TFP780.

NOTICE

The Series TY-FRB Concealed Pendent Sprinklers described herein must be installed and maintained in compliance with this document and with the applicable standards of the National Fire Protection Association, in addition to the standards of any authorities having jurisdiction. Failure to do so may impair the performance of these devices.

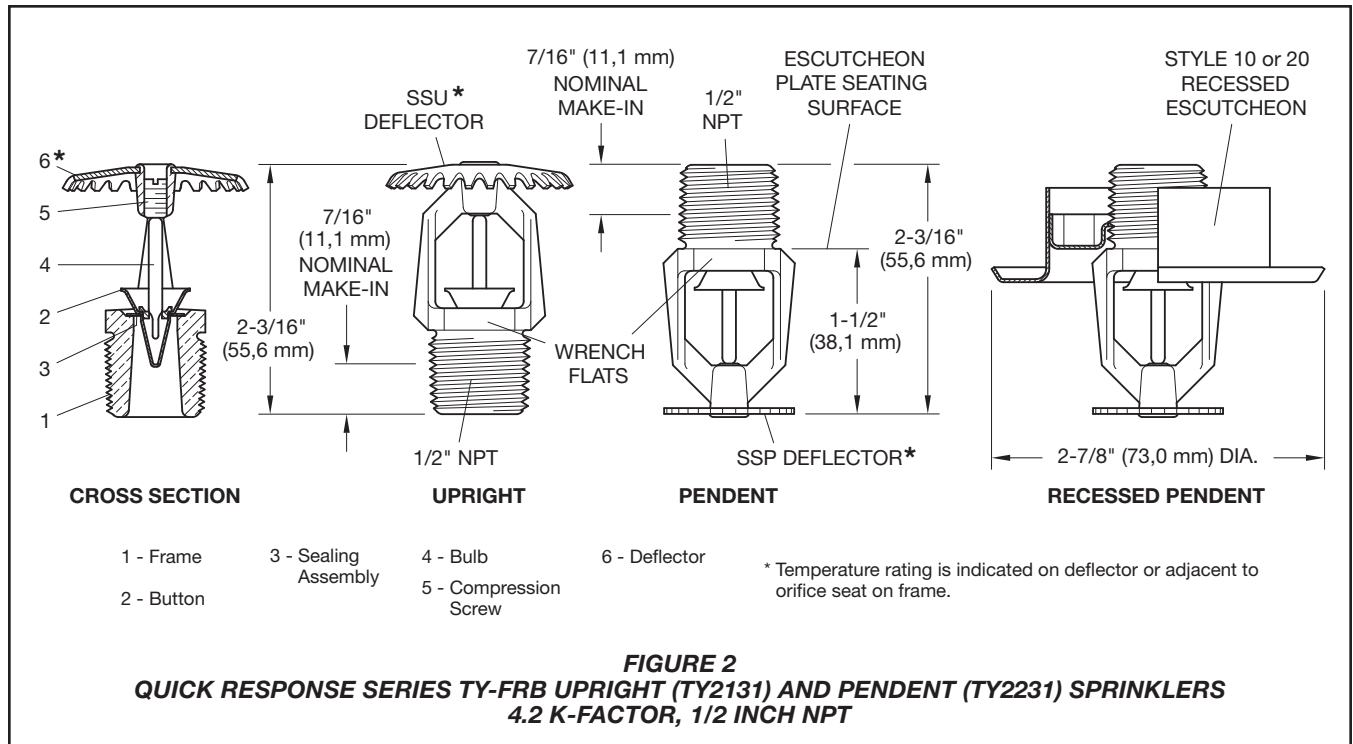
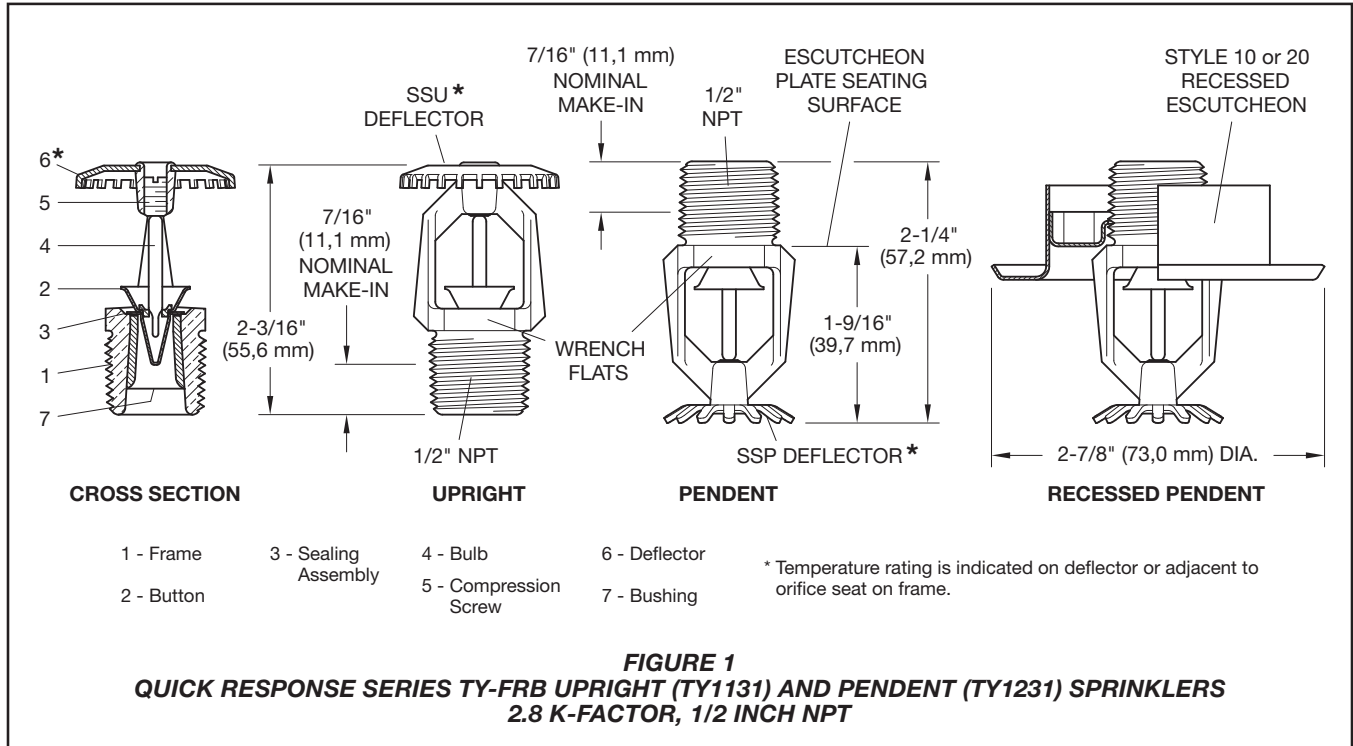
Owners are responsible for maintaining their fire protection system and devices in proper operating condition. The installing contractor or sprinkler manufacturer should be contacted with any questions.

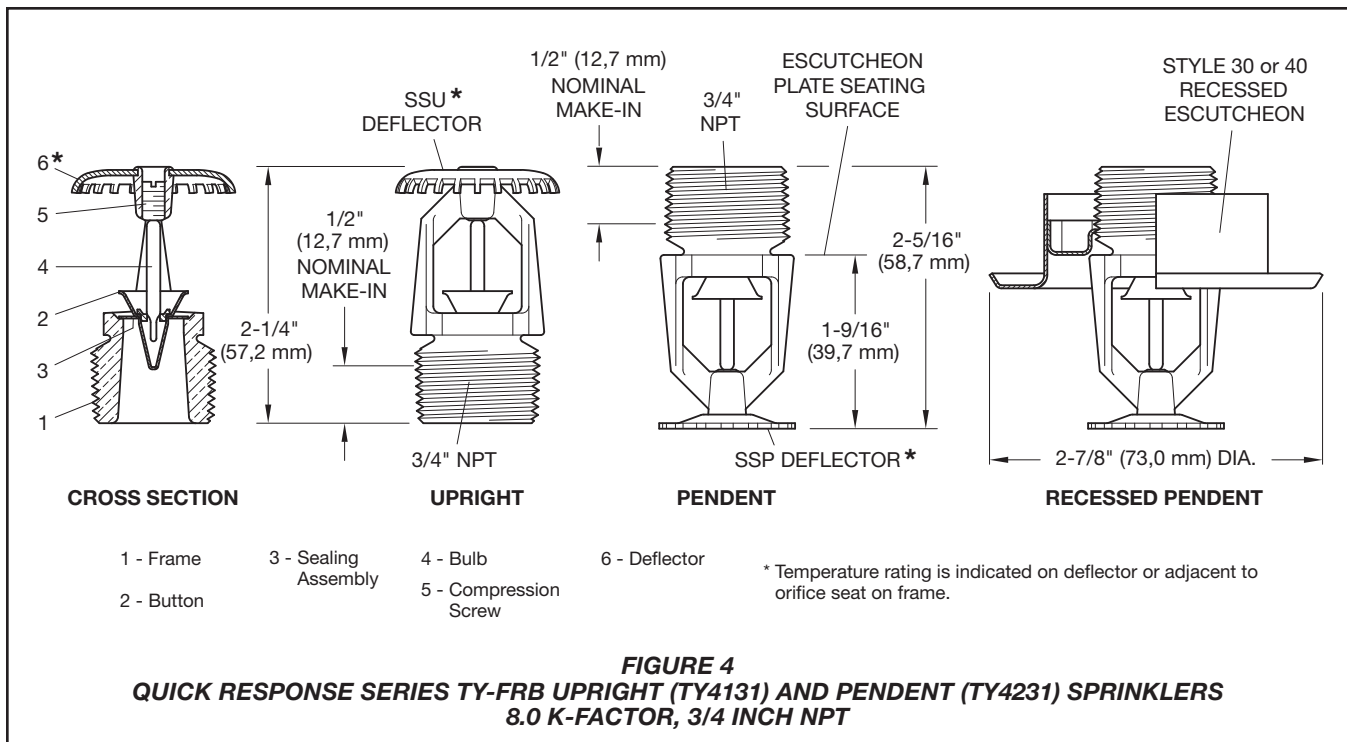
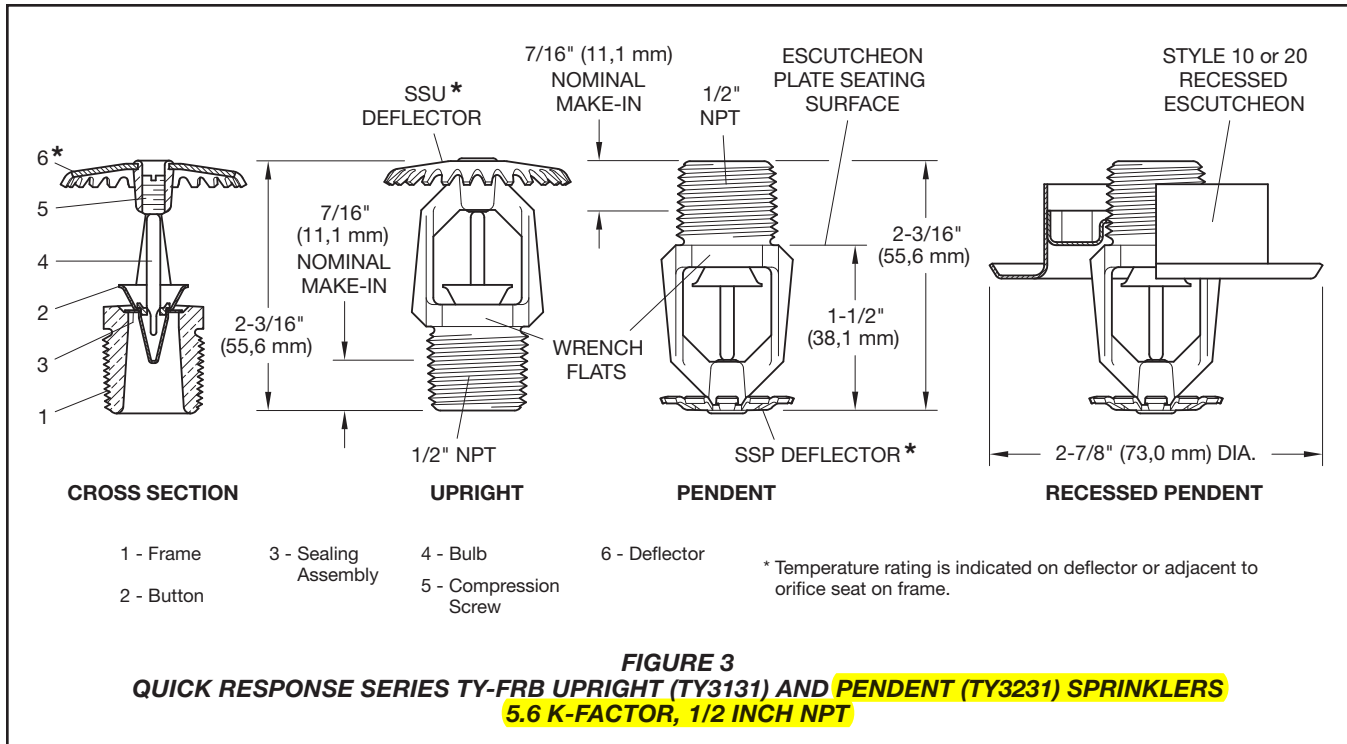


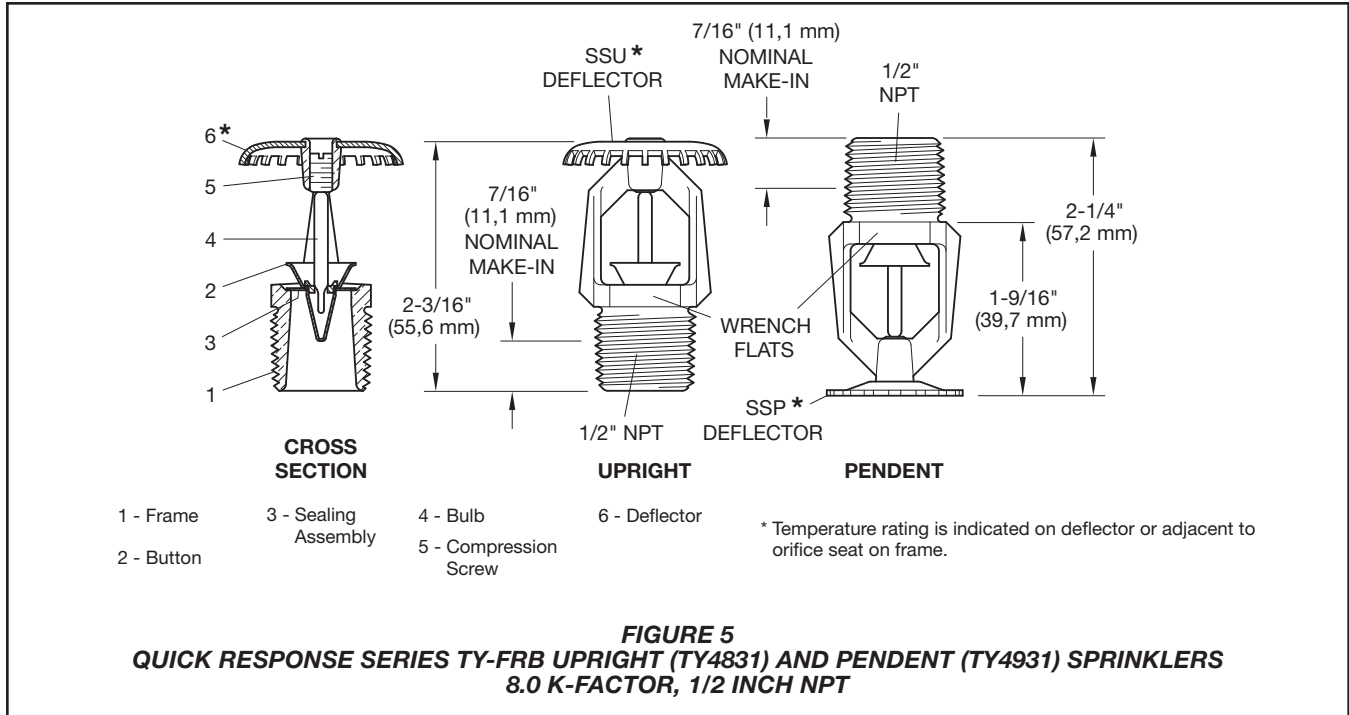
Model/Sprinkler Identification Number (SIN)

TY1131:	Upright	2.8K, 1/2" NPT
TY1231:	Pendent	2.8K, 1/2" NPT
TY2131:	Upright	4.2K, 1/2" NPT
TY2231:	Pendent	4.2K, 1/2" NPT
TY3131:	Upright	5.6K, 1/2" NPT
TY3231:	Pendent	5.6K, 1/2" NPT
TY4131:	Upright	8.0K, 3/4" NPT
TY4231:	Pendent	8.0K, 3/4" NPT
TY4831:	Upright*	8.0K, 1/2" NPT
TY4931:	Pendent*	8.0K, 1/2" NPT

*Eastern Hemisphere Sales Only







Technical Data

Approvals

UL and C-UL Listed
FM, LPCB, and NYC Approved
Refer to Table A and B for complete approval information including corrosion-resistant status.

Maximum Working Pressure

Refer to Table C.

Discharge Coefficient

K=2.8 GPM/psi^{1/2} (40,3 LPM/bar^{1/2})
K=4.2 GPM/psi^{1/2} (60,5 LPM/bar^{1/2})
K=5.6 GPM/psi^{1/2} (80,6 LPM/bar^{1/2})
K=8.0 GPM/psi^{1/2} (115,2 LPM/bar^{1/2})

Temperature Rating

Refer to Table A and B.

Finishes

Sprinkler: Refer to Table A and B.
Recessed Escutcheon: White Coated, Chrome Plated, or Brass Plated.

Physical Characteristics

Frame Bronze
Button Brass/Copper
Sealing Assembly Beryllium
Nickel w/Teflon†
Bulb Glass
Compression Screw Bronze
Deflector Copper/Bronze
Bushing (K=2.8) Bronze

Operation

The glass Bulb contains a fluid that expands when exposed to heat. When the rated temperature is reached, the fluid expands sufficiently to shatter the glass Bulb, allowing the sprinkler to activate and water to flow.

Design Criteria

The TYCO Series TY-FRB Pendent and Upright Sprinklers are intended for fire protection systems designed in accordance with the standard installation rules recognized by the applicable Listing or Approval agency (such as, UL Listing is based on the requirements of NFPA 13, and FM Approval is based on the requirements of FM's Loss Prevention Data Sheets). Only the Style 10, 20, 30, or 40 Recessed Escutcheon, as applicable, is to be used for recessed pendent installations.

Installation

The TYCO Series TY-FRB Sprinklers must be installed in accordance with the following instructions.

NOTICE

Do not install any bulb-type sprinkler if the bulb is cracked or there is a loss of liquid from the bulb. With the sprinkler held horizontally, a small air bubble should be present. The diameter of the air bubble is approximately 1/16

inch (1,6 mm) for the 135°F/57°C and 3/32 inch (2,4 mm) for the 286°F/141°C temperature ratings.

Obtain a leak-tight 1/2 inch NPT sprinkler joint by applying a minimum to maximum torque of 7 to 14 ft.lbs. (9,5 to 19,0 Nm). Higher levels of torque can distort the sprinkler Inlet with consequent leakage or impairment of the sprinkler.

Do not attempt to compensate for insufficient adjustment in the Escutcheon Plate by under- or over-tightening the sprinkler. Re-adjust the position of the sprinkler fitting to suit.

The Series TY-FRB Pendent and Upright Sprinklers must be installed in accordance with the following instructions.

1. Install Pendent sprinklers in the pendent position. Install upright sprinklers in the upright position.
2. With pipe-thread sealant applied to the pipe threads, hand-tighten the sprinkler into the sprinkler fitting.
3. Tighten the sprinkler into the sprinkler fitting using only the W-Type 6 Sprinkler Wrench (Figure 14). With reference to Figures 1 through 5, apply the W-Type 6 Sprinkler Wrench to the sprinkler wrench flats.

† Registered Trademark of Dupont

K FACTOR	TYPE	TEMPERATURE	SPRINKLER FINISH (See Note 5)			
			BULB LIQUID COLOR	NATURAL BRASS	CHROME PLATED	WHITE*** POLYESTER
2.8 1/2" NPT	PENDENT (TY1231) and UPRIGHT (TY1131)	135°F/57°C	Orange		1, 2, 3, 4	
		155°F/68°C	Red			
		175°F/79°C	Yellow			
		200°F/93°C	Green			
		286°F/141°C	Blue			
	RECESSED PENDENT (TY1231)* Figure 6	135°F/57°C	Orange			
		155°F/68°C	Red			
		175°F/79°C	Yellow			
		200°F/93°C	Green			
		135°F/57°C	Orange			
	RECESSED PENDENT (TY1231)** Figure 7	155°F/68°C	Red			
		175°F/79°C	Yellow			
		200°F/93°C	Green			
		135°F/57°C	Orange			
155°F/68°C		Red				
4.2 1/2" NPT	PENDENT (TY2231) and UPRIGHT (TY2131)	135°F/57°C	Orange		1, 2	
		155°F/68°C	Red			
		175°F/79°C	Yellow			
		200°F/93°C	Green			
		286°F/141°C	Blue			
	RECESSED PENDENT (TY2231)* Figure 8	135°F/57°C	Orange			
		155°F/68°C	Red			
		175°F/79°C	Yellow			
		200°F/93°C	Green			
		135°F/57°C	Orange			
	RECESSED PENDENT (TY2231)** Figure 9	155°F/68°C	Red			
		175°F/79°C	Yellow			
		200°F/93°C	Green			
		135°F/57°C	Orange			
155°F/68°C		Red				

NOTES:

1. Listed by Underwriters Laboratories, Inc., (UL) as Quick Response Sprinklers.
2. Listed by Underwriters Laboratories, Inc., for use in Canada (C-UL) as Quick Response Sprinklers.
3. Approved by Factory Mutual Research Corporation (FM) as Quick Response Sprinklers.
4. Approved by the City of New York under MEA 354-01-E.
5. Where Polyester Coated Sprinklers are noted to be UL and C-UL Listed, the sprinklers are UL and C-UL Listed as Corrosion-Resistant Sprinklers.

* Installed with Style 10 (1/2" NPT) or Style 40 (3/4" NPT) 3/4" Total Adjustment Recessed Escutcheon, as applicable.

** Installed with Style 20 (1/2" NPT) or Style 30 (3/4" NPT) 1/2" Total Adjustment Recessed Escutcheon, as applicable.

*** Frame and Deflector only. Listings and approvals apply to color (Special Order).

N/A: Not Available

TABLE A
LABORATORY LISTINGS AND APPROVALS FOR
2.8 AND 4.2 K-FACTOR SPRINKLERS

K FACTOR	TYPE	TEMPERATURE	SPRINKLER FINISH (See Note 8)				
			BULB LIQUID COLOR	NATURAL BRASS	CHROME PLATED	WHITE*** POLYESTER	LEAD COATED
5.6 1/2" NPT	PENDENT (TY3231) and UPRIGHT (TY3131)	135°F/57°C	Orange	1, 2, 3, 4, 5, 6, 7			1, 2, 3, 5
		155°F/68°C	Red				
		175°F/79°C	Yellow				
		200°F/93°C	Green				
		286°F/141°C	Blue				
	RECESSED PENDENT (TY3231)* Figure 10	135°F/57°C	Orange	1, 2, 4, 5			N/A
		155°F/68°C	Red				
		175°F/79°C	Yellow				
		200°F/93°C	Green				
	RECESSED PENDENT (TY3231)** Figure 11	135°F/57°C	Orange	1, 2, 3, 4, 5			N/A
		155°F/68°C	Red				
		175°F/79°C	Yellow				
200°F/93°C		Green					
8.0 3/4" NPT	PENDENT (TY4231) and UPRIGHT (TY4131)	135°F/57°C	Orange	1, 2, 3, 4, 5, 6, 7			1, 2, 5
		155°F/68°C	Red				
		175°F/79°C	Yellow				
		200°F/93°C	Green				
	RECESSED PENDENT (TY4231)* Figure 12	135°F/57°C	Orange	1, 2, 5			N/A
		155°F/68°C	Red				
		175°F/79°C	Yellow				
		200°F/93°C	Green				
	RECESSED PENDENT (TY4231)** Figure 13	135°F/57°C	Orange	1, 2, 3, 5			N/A
		155°F/68°C	Red				
		175°F/79°C	Yellow				
		200°F/93°C	Green				
8.0 1/2" NPT	PENDENT (TY4931) and UPRIGHT (TY4831)	135°F/57°C	Orange	1, 2, 4, 5, 6			1, 2, 5
		155°F/68°C	Red				
		175°F/79°C	Yellow				
		200°F/93°C	Green				
		286°F/141°C	Blue				

NOTES:

1. Listed by Underwriters Laboratories, Inc., (UL) as Quick Response Sprinklers.
2. Listed by Underwriters Laboratories, Inc., for use in Canada (C-UL) as Quick Response Sprinklers.
3. Approved by Factory Mutual Research Corporation (FM) as Quick Response Sprinklers.
4. Approved by the Loss Prevention Certification Board (LPCB Ref. No. 007k/04) as Quick Response Sprinklers. However, LPCB does not rate the thermal sensitivity of recessed sprinklers.
5. Approved by the City of New York under MEA 354-01-E.
6. VdS Approved (For details, contact Tyco Fire Suppression & Building Products, Enschede, Netherlands, Tel. 31-53-428-4444/Fax 31-53-428-3377.)
7. Approved by the Loss Prevention Certification Board (LPCB Ref. No. 094a/06) as Quick Response Sprinklers.
8. Where Polyester Coated and Lead-Coated Sprinklers are noted to be UL and C-UL Listed, the sprinklers are UL and C-UL Listed as Corrosion-Resistant Sprinklers. Where Lead-Coated Sprinklers are noted to be FM Approved, the sprinklers are FM Approved as a Corrosion-Resistant Sprinklers.

* Installed with Style 10 (1/2" NPT) or Style 40 (3/4" NPT) 3/4" Total Adjustment Recessed Escutcheon, as applicable.

** Installed with Style 20 (1/2" NPT) or Style 30 (3/4" NPT) 1/2" Total Adjustment Recessed Escutcheon, as applicable.

*** Frame and Deflector only. Listings and approvals apply to color (Special Order).

N/A: Not Available

TABLE B
LABORATORY LISTINGS AND APPROVALS FOR
5.6 AND 8.0 K-FACTOR SPRINKLERS

K FACTOR	TYPE	SPRINKLER FINISH			
		NATURAL BRASS	CHROME PLATED	WHITE POLYESTER	LEAD COATED
2.8 1/2" NPT	PENDENT (TY1231) and UPRIGHT (TY1131)	175 PSI (12,1 BAR)			N/A
	RECESSED PENDENT (TY1231)				
4.2 1/2" NPT	PENDENT (TY2231) and UPRIGHT (TY2131)	175 PSI (12,1 BAR)			N/A
	RECESSED PENDENT (TY2231)				
5.6 1/2" NPT	PENDENT (TY3231) and UPRIGHT (TY3131)	250 PSI (17,2 BAR) OR 175 PSI (12,1 BAR) (SEE NOTE 1)			175 PSI (12,1 BAR)
	RECESSED PENDENT (TY3231)				N/A
8.0 3/4" NPT	PENDENT (TY4231) and UPRIGHT (TY4131)	175 PSI (12,1 BAR)			175 PSI (12,1 BAR)
	RECESSED PENDENT (TY4231)				N/A
8.0 1/2" NPT	PENDENT (TY4931) and UPRIGHT (TY4831)	175 PSI (12,1 BAR)			175 PSI (12,1 BAR)

NOTES:

1. The maximum working pressure of 250 psi (17,2 bar) only applies to the Listing by Underwriters Laboratories Inc. (UL); the Listing by Underwriters Laboratories, Inc. for use in Canada (C-UL); and, the Approval by the City of New York.

TABLE C
MAXIMUM WORKING PRESSURE

The Series TY-FRB Recessed Pendent Sprinklers must be installed in accordance with the following instructions.

1. After installing the Style 10, 20, 30, or 40 Mounting Plate, as applicable, over the sprinkler threads and with pipe-thread sealant applied to the pipe threads, hand-tighten the sprinkler into the sprinkler fitting.
2. Tighten the sprinkler into the sprinkler fitting using only the W-Type 7 Recessed Sprinkler Wrench (Figure 15). With reference to Figures 1 to 4, apply the W-Type 7 Recessed Sprinkler Wrench to the sprinkler wrench flats.
3. After ceiling installation and finishing, slide on the Style 10, 20, 30, or 40 Closure over the Series TY-FRB Sprinkler and push the Closure over the Mounting Plate until its flange comes in contact with the ceiling.

Care and Maintenance

The TYCO Series TY-FRB must be maintained and serviced in accordance with the following instructions.

NOTICE

Before closing a fire protection system main control valve for maintenance work on the fire protection system that it controls, obtain permission to shut down the affected fire protection systems from the proper authorities and notify all personnel who may be affected by this action.

Absence of the outer piece of an escutcheon, which is used to cover a clearance hole, can delay sprinkler operation in a fire situation.

Exercise care to avoid damage to sprinklers before, during, and after installation. Never paint, plate, coat, or otherwise alter automatic sprinklers after they leave the factory.

Replace sprinklers that:

- were modified or over-heated.
- were damaged by dropping, striking, wrench twisting, wrench slippage, or the like.
- are leaking or exhibiting visible signs of corrosion.
- were exposed to corrosive products of combustion but have not operated, if you cannot easily remove combustion by-products with a cloth.
- have a cracked bulb or have lost liquid from the bulb. Refer to the Installation section in this data sheet.

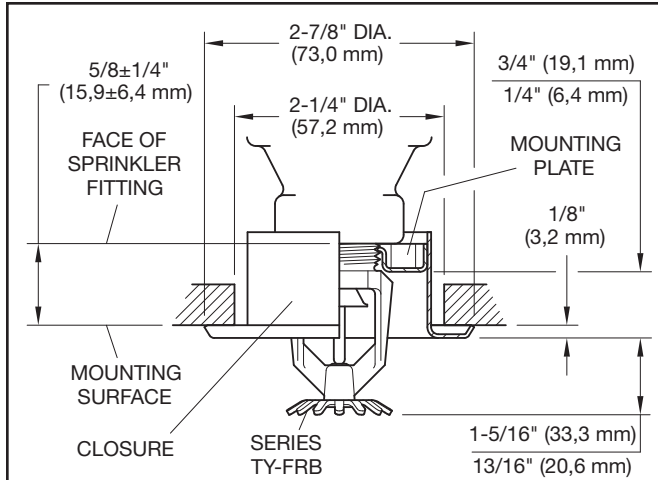


FIGURE 6
SERIES TY-FRB RECESSED PENDENT
WITH TWO-PIECE 3/4 INCH TOTAL ADJUSTMENT
STYLE 10 RECESSED ESCUTCHEON
2.8 K-FACTOR, 1/2 INCH NPT

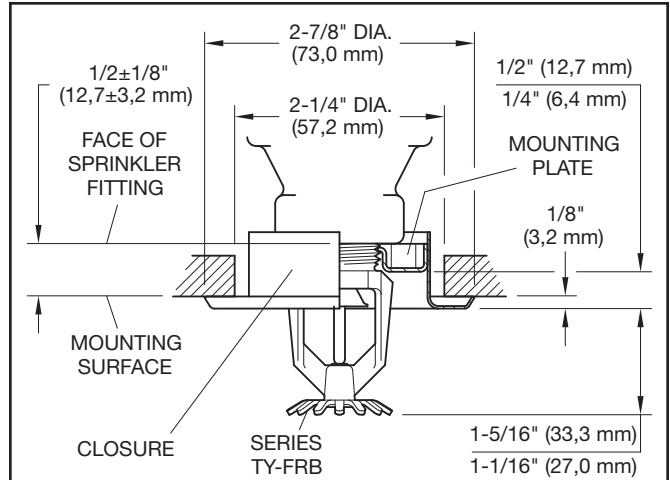


FIGURE 7
SERIES TY-FRB RECESSED PENDENT
WITH TWO-PIECE 1/2 INCH TOTAL ADJUSTMENT
STYLE 20 RECESSED ESCUTCHEON
2.8 K-FACTOR, 1/2 INCH NPT

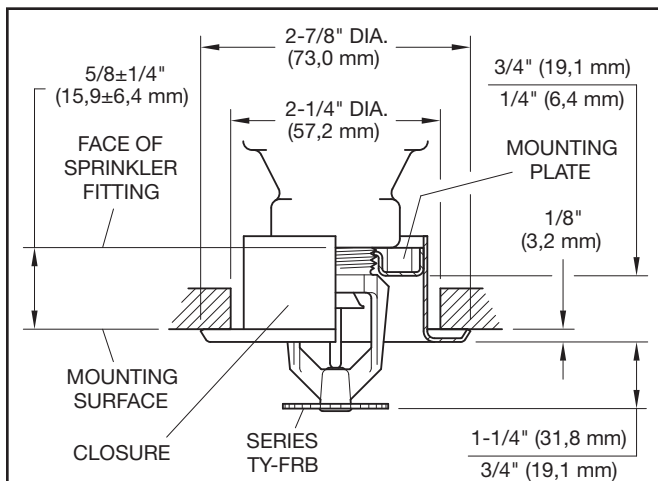


FIGURE 8
SERIES TY-FRB RECESSED PENDENT
WITH TWO-PIECE 3/4 INCH TOTAL ADJUSTMENT
STYLE 10 RECESSED ESCUTCHEON
4.2 K-FACTOR, 1/2 INCH NPT

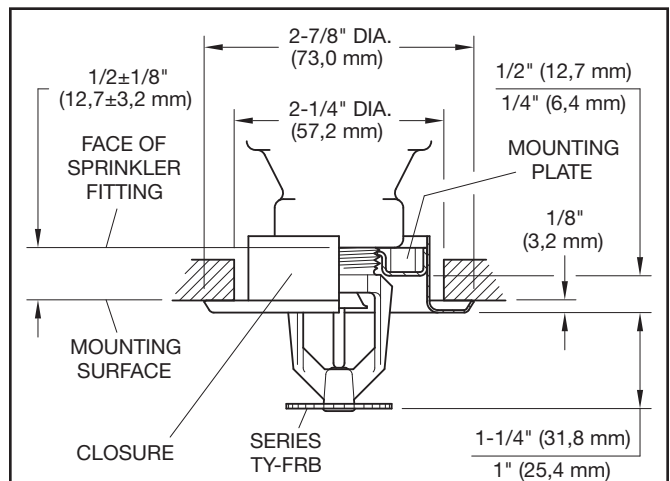


FIGURE 9
SERIES TY-FRB RECESSED PENDENT
WITH TWO-PIECE 1/2 INCH TOTAL ADJUSTMENT
STYLE 20 RECESSED ESCUTCHEON
4.2 K-FACTOR, 1/2 INCH NPT

Initial and frequent visual inspections of random samples are recommended for corrosion-resistant sprinklers to verify the integrity of the corrosion-resistant material of construction. Thereafter, annual inspections per NFPA 25 should suffice.

Inspections of corrosion-resistant sprinklers are recommended at close range, instead of from the floor level per NFPA. Inspection at close range can better determine the exact sprinkler condition and the long-term integrity of the corrosion-resistant material, which can be affected by the corrosive conditions present.

Responsibility lies with the owner for the inspection, testing, and maintenance of their fire protection system and devices in compliance with this document, as well as with the applicable standards of the National Fire Protection Association (for example, NFPA 25), in addition to the standards of any other authorities having jurisdiction. Contact the installing contractor or sprinkler manufacturer regarding any questions.

Automatic sprinkler systems are recommended to be inspected, tested, and maintained by a qualified Inspection Service in accordance with local requirements and/or national codes.

Care must be exercised to avoid damage to the sprinklers -before, during, and after installation. Sprinklers damaged by dropping, striking, wrench twist/slippage, or the like, must be replaced. Also, replace any sprinkler that has a cracked bulb or that has lost liquid from its bulb. (Ref. Installation Section).

Initial and frequent visual inspections of random samples are recommended for corrosion-resistant sprinklers to verify the integrity of the corrosion-resistant material of construction. Thereafter, annual inspections per NFPA 25 should suffice.

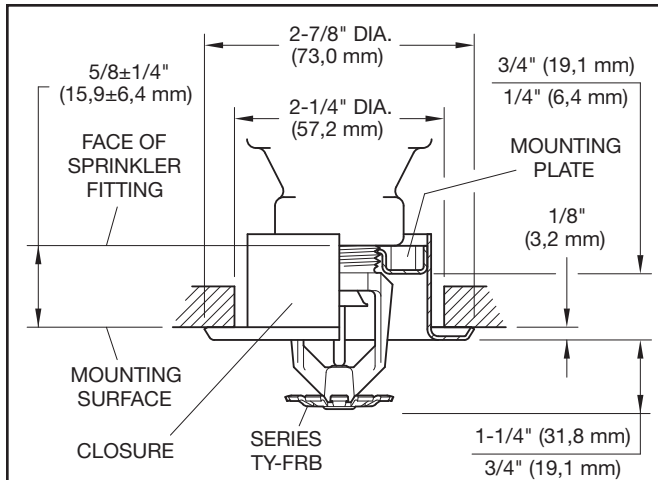


FIGURE 10
SERIES TY-FRB RECESSED PENDENT
WITH TWO-PIECE 3/4 INCH TOTAL ADJUSTMENT
STYLE 10 RECESSED ESCUTCHEON
5.6 K-FACTOR, 1/2 INCH NPT

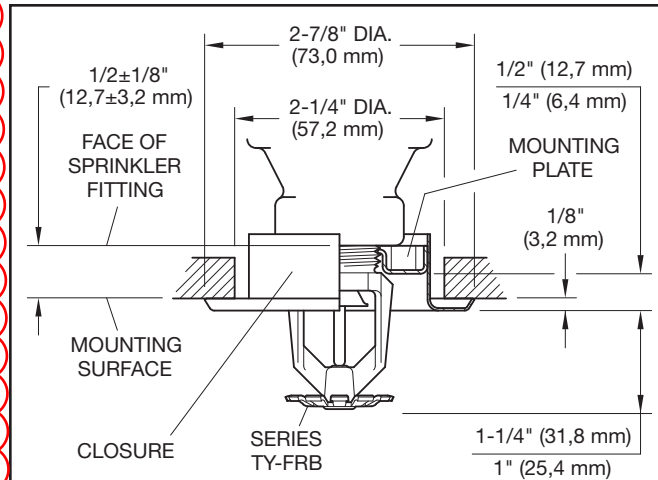


FIGURE 11
SERIES TY-FRB RECESSED PENDENT
WITH TWO-PIECE 1/2 INCH TOTAL ADJUSTMENT
STYLE 20 RECESSED ESCUTCHEON
5.6 K-FACTOR, 1/2 INCH NPT

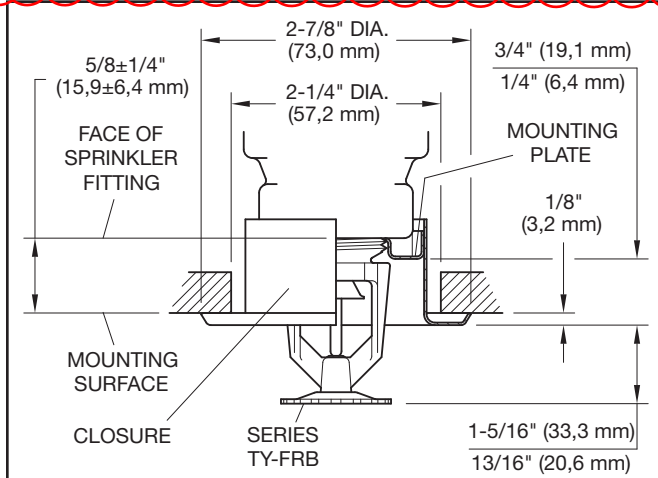


FIGURE 12
SERIES TY-FRB RECESSED PENDENT
WITH TWO-PIECE 3/4 INCH TOTAL ADJUSTMENT
STYLE 40 RECESSED ESCUTCHEON
8.0 K-FACTOR, 3/4 INCH NPT

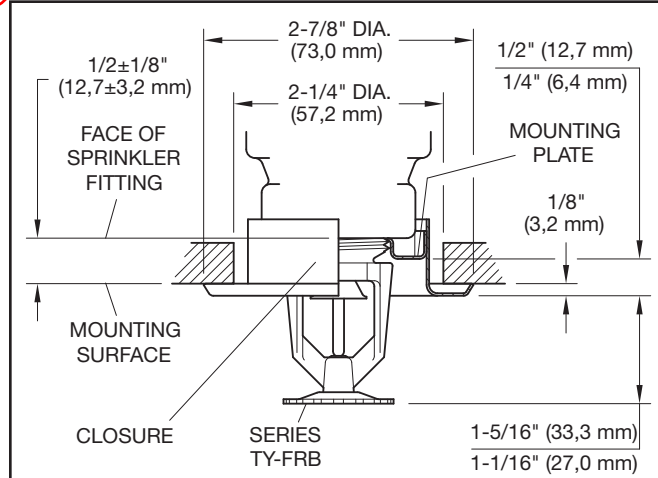


FIGURE 13
SERIES TY-FRB RECESSED PENDENT
WITH TWO-PIECE 1/2 INCH TOTAL ADJUSTMENT
STYLE 30 RECESSED ESCUTCHEON
8.0 K-FACTOR, 3/4 INCH NPT

Inspections of corrosion-resistant sprinklers are recommended at close range, instead of from the floor level per NFPA. Inspection at close range can better determine the exact sprinkler condition and the long-term integrity of the corrosion-resistant material, which can be affected by the corrosive conditions present.

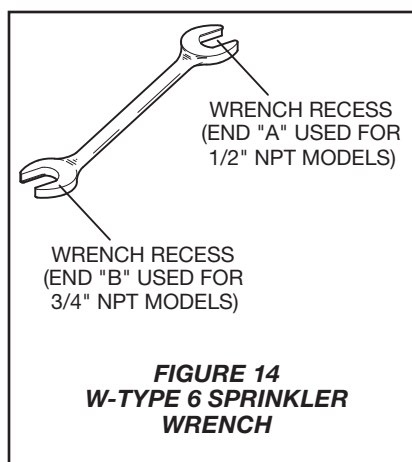


FIGURE 14
W-TYPE 6 SPRINKLER WRENCH

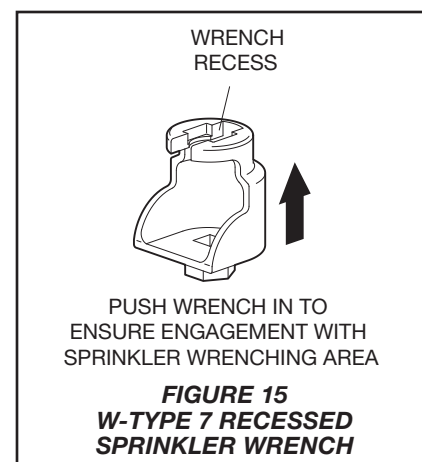


FIGURE 15
W-TYPE 7 RECESSED SPRINKLER WRENCH

P/N 57 - XXX - X - XXX

		MODEL/SIN			TEMPERATURE RATINGS	
330	2.8K UPRIGHT (1/2"NPT)	TY1131	1	NATURAL BRASS	135	135°F (57°C)
331	2.8K PENDENT (1/2"NPT)	TY1231	4	WHITE POLYESTER	155	155°F (68°C)
340	4.2K UPRIGHT (1/2"NPT)	TY2131	3	WHITE (RAL9010)*	175	175°F (79°C)
341	4.2K PENDENT (1/2"NPT)	TY2231	9	CHROME PLATED	200	200°F (93°C)
370	5.6K UPRIGHT (1/2"NPT)	TY3131	7	LEAD COATED	286	286°F (141°C)
371	5.6K PENDENT (1/2"NPT)	TY3231				
390	8.0K UPRIGHT (3/4"NPT)	TY4131				
391	8.0K PENDENT (3/4"NPT)	TY4231				
360	8.0K UPRIGHT (1/2"NPT)	TY4831*				
361	8.0K PENDENT (1/2"NPT)	TY4931*				

* Eastern Hemisphere sales only.

TABLE D
PART NUMBER SELECTION
SERIES TY-FRB PENDENT AND UPRIGHT SPRINKLERS

Limited Warranty

Products manufactured by Tyco Fire Suppression & Building Products (TFSBP) are warranted solely to the original Buyer for ten (10) years against defects in material and workmanship when paid for and properly installed and maintained under normal use and service. This warranty will expire ten (10) years from date of shipment by TFSBP. No warranty is given for products or components manufactured by companies not affiliated by ownership with TFSBP or for products and components which have been subject to misuse, improper installation, corrosion, or which have not been installed, maintained, modified or repaired in accordance with applicable Standards of the National Fire Protection Association, and/or the standards of any other Authorities Having Jurisdiction. Materials found by TFSBP to be defective shall be either repaired or replaced, at TFSBP's sole option. TFSBP neither assumes, nor authorizes any person to assume for it, any other obligation in connection with the sale of products or parts of products. TFSBP shall not be

responsible for sprinkler system design errors or inaccurate or incomplete information supplied by Buyer or Buyer's representatives.

In no event shall TFSBP be liable, in contract, tort, strict liability or under any other legal theory, for incidental, indirect, special or consequential damages, including but not limited to labor charges, regardless of whether TFSBP was informed about the possibility of such damages, and in no event shall TFSBP's liability exceed an amount equal to the sales price.

The foregoing warranty is made in lieu of any and all other warranties, express or implied, including warranties of merchantability and fitness for a particular purpose.

This limited warranty sets forth the exclusive remedy for claims based on failure of or defect in products, materials or components, whether the claim is made in contract, tort, strict liability or any other legal theory.

This warranty will apply to the full extent permitted by law. The invalidity, in whole or part, of any portion of this warranty will not affect the remainder.

Ordering Procedure

Contact your local distributor for availability. When placing an order, indicate the full product name and Part Number (P/N).

Sprinkler Assemblies with NPT Thread Connections

Specify: (Specify Model/SIN), Quick Response, (specify K-factor), (specify temperature rating), Series TY-FRB (specify Pendent or Upright) Sprinkler with (specify type of finish or coating), P/N (specify from Table D).

Recessed Escutcheon:

Specify: Style (10, 20, 30, or 40) Recessed Escutcheon with (specify*) finish, P/N (specify*).

Sprinkler Wrench

Specify: W-Type 6 Sprinkler Wrench, P/N 56-000-6-387.

Specify: W-Type 7 Sprinkler Wrench, P/N 56-850-4-001.

* Refer to Technical Data Sheet TFP770.

tyco Fire Suppression & Building Products

Technical Services 800-381-9312 | +1-401-781-8220
www.tyco-fire.com

Series DS-1 Dry-Type Sprinklers Quick Response, Standard Coverage 5.6 K-factor, 3/4 and 1-Inch NPT

General Description

The TYCO Series DS-1, 5.6 K-factor, 3/4 and 1-Inch NPT, Quick Response, Standard Coverage, Dry-Type Sprinklers are decorative, 3-mm glass bulb automatic sprinklers designed for commercial use. Dry-Type Sprinklers are typically used where:

- pendent sprinklers are required on dry pipe systems that are exposed to freezing temperatures; for example, sprinkler drops from unheated portions of buildings.
- sprinklers and/or a portion of the connecting piping are exposed to freezing temperatures; for example, sprinkler drops from wet systems into freezers, sprinkler sprigs from wet systems into unheated attics, or horizontal piping extensions through a wall to protect an unheated area such as loading docks, overhangs, and building exteriors.
- sprinklers are used on systems that are seasonally drained to avoid freezing; for example, vacation areas.

NOTICE

The Series DS-1 Dry-Type Sprinklers described herein must be installed and maintained in compliance with this document, as well as with the applicable standards of the National Fire Protection Association, in addition to the standards of any authorities having

IMPORTANT

Always refer to Technical Data Sheet TFP700 for the "INSTALLER WARNING" that provides cautions with respect to handling and installation of sprinkler systems and components. Improper handling and installation can permanently damage a sprinkler system or its components and cause the sprinkler to fail to operate in a fire situation or cause it to operate prematurely.

jurisdiction. Failure to do so may impair the performance of these devices.

Owners are responsible for maintaining their fire protection system and devices in proper operating condition. The installing contractor or sprinkler manufacturer should be contacted with any questions.

The Series DS-1 Dry-Type Sprinklers must only be installed in fittings that meet the requirements of the Design Criteria section.

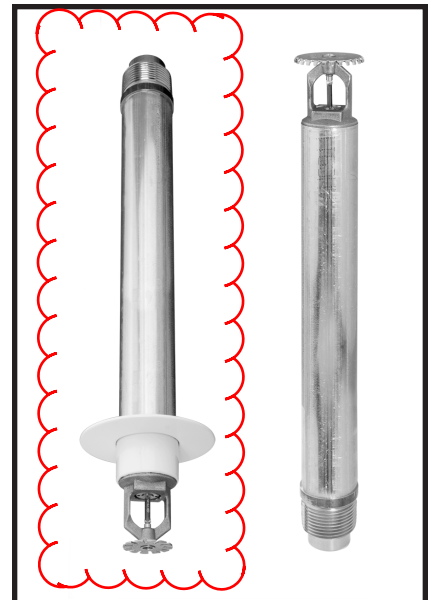
Model/Sprinkler Identification Numbers (SINs)

3/4-Inch NPT:

TY3935 - Pendent
TY3735 - Horizontal Sidewall

1-Inch NPT:

TY3235 - Pendent
TY3135 - Upright
TY3335 - Horizontal Sidewall



		3/4-INCH NPT								
		TY3935 Pendent with Standard Recessed Escutcheon (Figure 4)			TY3935 Pendent with Standard Escutcheon (Figure 3) with Deep Escutcheon (Figure 5) without Escutcheon (Figure 6)			TY3735 Horizontal Sidewall with Top of Deflector-to-Ceiling Distance of 4 to 12 inches (100 to 300 mm) with Standard Escutcheon (Figure 8) with Deep Escutcheon (Figure 9) without Escutcheon (Figure 10)		
Temperature Rating	Bulb Color Code	Finish								
		Natural Brass	Chrome Plated	White Polyester	Natural Brass	Chrome Plated	White Polyester	Natural Brass	Chrome Plated	White Polyester
135°F (57°C)	Orange	1, 2			1, 2			1*, 2*		
155°F (68°C)	Red	1, 2			1, 2			1*, 2*		
175°F (79°C)	Yellow	1, 2			1, 2			1*, 2*		
200°F (93°C)	Green	1, 2			1, 2			1*, 2*		
286°F (141°C)	Blue	N/A			1, 2			1*, 2*		

Notes:

- Listed by Underwriters Laboratories, Inc. (maximum order length of 48 inches).
- Listed by Underwriters Laboratories for use in Canada (maximum order length of 48 inches).

* Light and Ordinary Hazard Occupancies Only / N/A - Not Available

TABLE A
3/4-INCH NPT, SERIES DS-1 QUICK RESPONSE, STANDARD COVERAGE DRY-TYPE SPRINKLERS
LABORATORY LISTINGS AND APPROVALS

		1-INCH NPT								
		TY3235 Pendent with Standard Recessed Escutcheon (Figure 4)			TY3235 Pendent with Standard Escutcheon (Figure 3) with Deep Escutcheon (Figure 5) without Escutcheon (Figure 6) TY3135 Upright without Escutcheon (Figure 7)			TY3335 Horizontal Sidewall with Top of Deflector-to-Ceiling Distance of 4 to 12 inches (100 to 300 mm) with Standard Escutcheon (Figure 8) with Deep Escutcheon (Figure 9) without Escutcheon (Figure 10)		
Temperature Rating	Bulb Color Code	Finish								
		Natural Brass	Chrome Plated	White Polyester	Natural Brass	Chrome Plated	White Polyester	Natural Brass	Chrome Plated	White Polyester
135°F (57°C)	Orange	1, 2, 3		1, 2	1, 2, 3		1, 2	1*, 2*, 3**		1*, 2*
155°F (68°C)	Red	1, 2, 3		1, 2	1, 2, 3		1, 2	1*, 2*, 3**		1*, 2*
175°F (79°C)	Yellow	1, 2, 3		1, 2	1, 2, 3		1, 2	1*, 2*, 3**		1*, 2*
200°F (93°C)	Green	1, 2, 3		1, 2	1, 2, 3		1, 2	1*, 2*, 3**		1*, 2*
286°F (141°C)	Blue	N/A			1, 2, 3		1, 2	1*, 2*, 3**		1*, 2*

Notes:

- Listed by Underwriters Laboratories, Inc. (maximum order length of 48 inches).
- Listed by Underwriters Laboratories for use in Canada (maximum order length of 48 inches).
- Approved by Factory Mutual Research Corporation (maximum order length of 48 inches).
- The Upright Sprinkler without an Escutcheon (TY3135) is available in 1-Inch NPT only.

* Light and Ordinary Hazard Occupancies Only / ** Light Hazard Occupancies Only / N/A - Not Available

TABLE B
1-INCH NPT AND ISO 7-R1, SERIES DS-1 QUICK RESPONSE, STANDARD COVERAGE DRY-TYPE SPRINKLERS
LABORATORY LISTINGS AND APPROVALS

Technical Data

Approvals

UL and C-UL Listed
FM Approved

Refer to Tables A and B.

Maximum Working Pressure

175 psi (12,1 bar)

Inlet Thread Connection

3/4-Inch NPT
1-Inch NPT or ISO 7-R1

Discharge Coefficient

$K = 5.6 \text{ GPM/psi}^{1/2}$
 $(80,6 \text{ LPM/bar}^{1/2})$

Temperature Ratings

Refer to Tables A and B.

Finishes

Sprinkler: Natural Brass, Chrome Plated, White Polyester

Escutcheon: White Coated, Chrome Plated, Brass Plated

Physical Characteristics

Inlet.....	Copper
Plug	Copper
Yoke	Stainless Steel
Casing.....	Galvanized Carbon Steel
Insert	Bronze
Bulb Seat.....	Stainless Steel
Bulb	Glass
Compression Screw	Bronze
Deflector	Bronze
Frame	Bronze
Guide Tube	Stainless Steel
Water Tube	Stainless Steel
Spring	Stainless Steel
Plug Spring*.....	Stainless Steel
Sealing Assembly	Beryllium Nickel w/Teflon**
Escutcheon	Carbon Steel

Patents

U.S.A. Patent No. 5,188,185

*For 3/4-Inch NPT only
**Registered trademark of DuPont

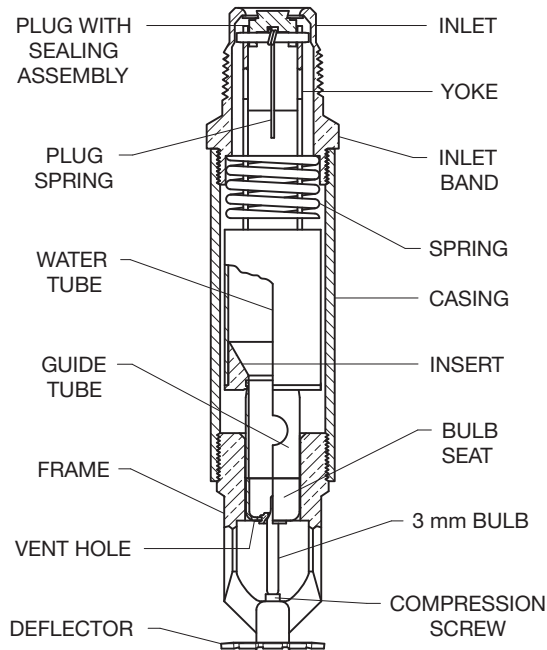


FIGURE 1
SERIES DS-1, 3/4-INCH NPT, QUICK RESPONSE
DRY-TYPE SPRINKLER ASSEMBLY

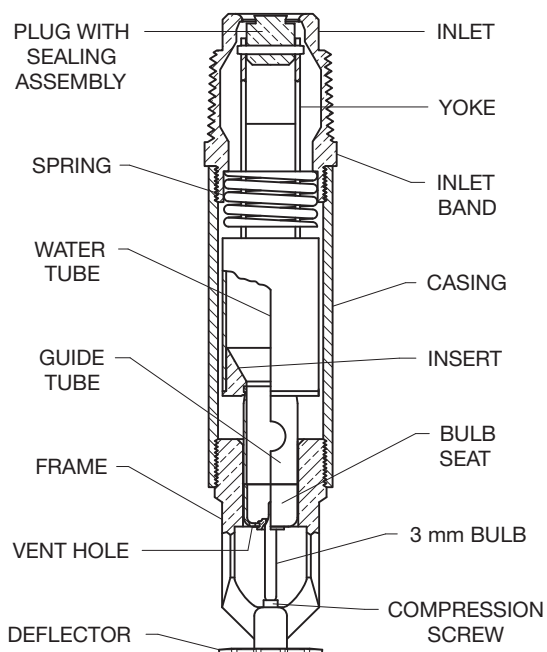
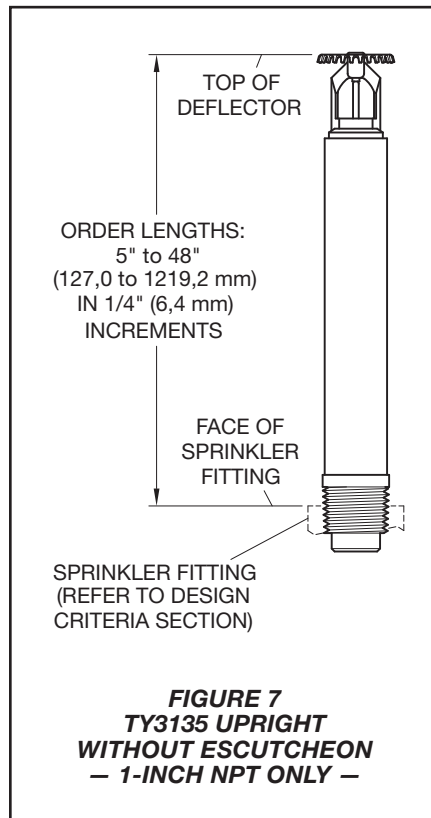
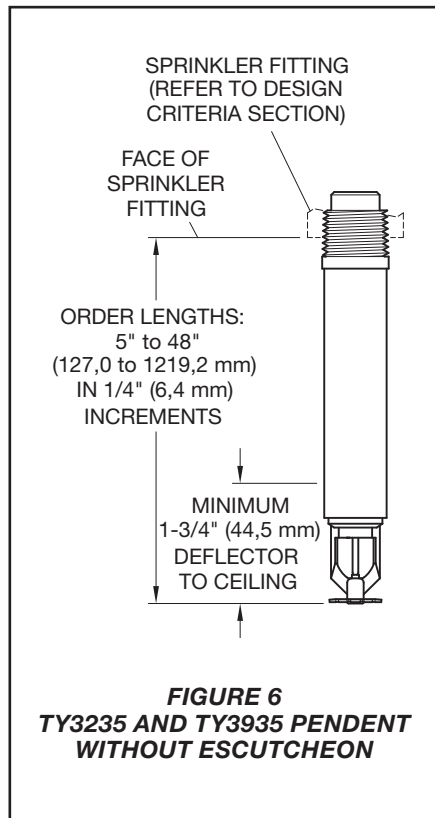
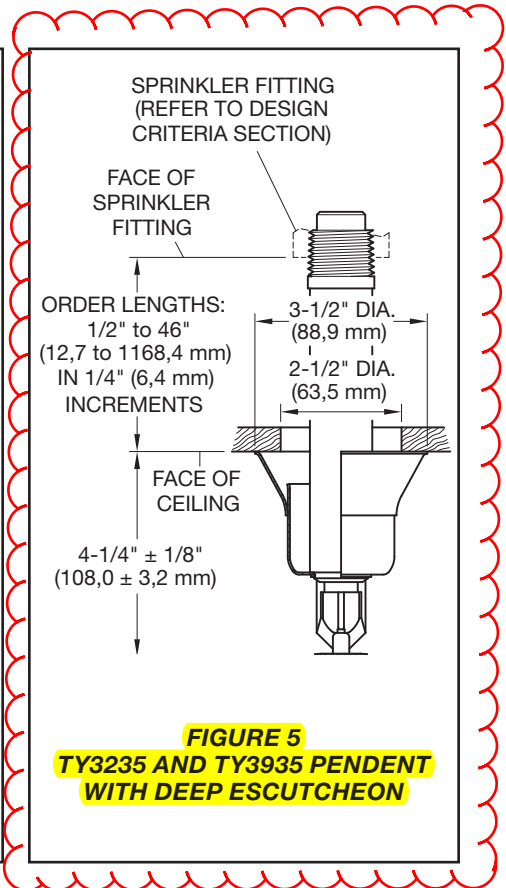
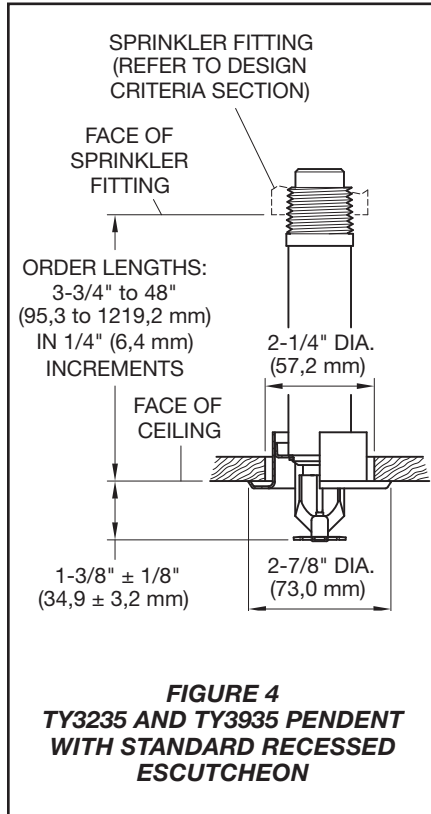
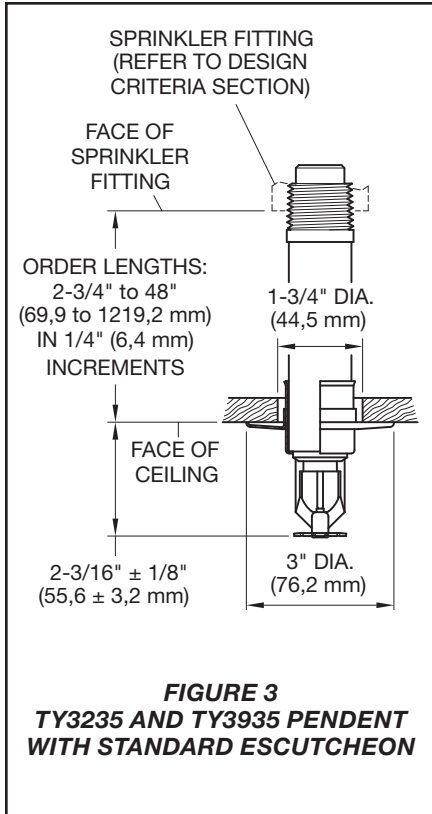
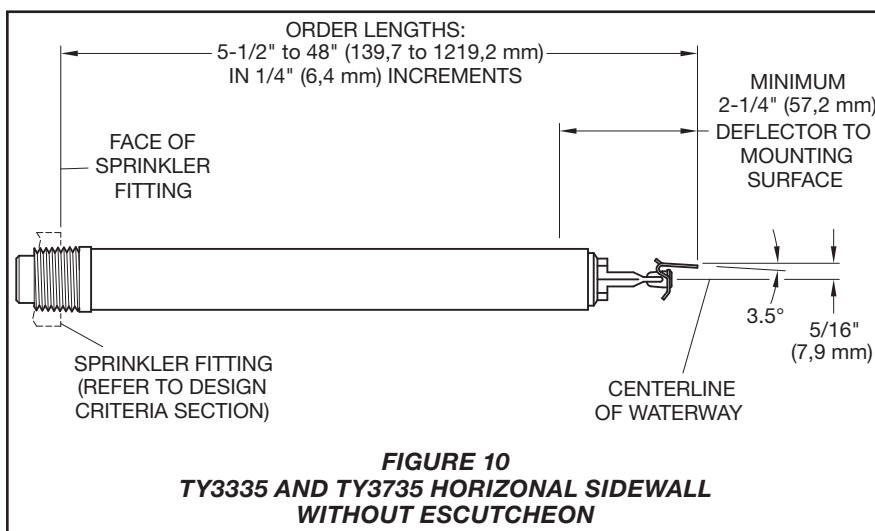
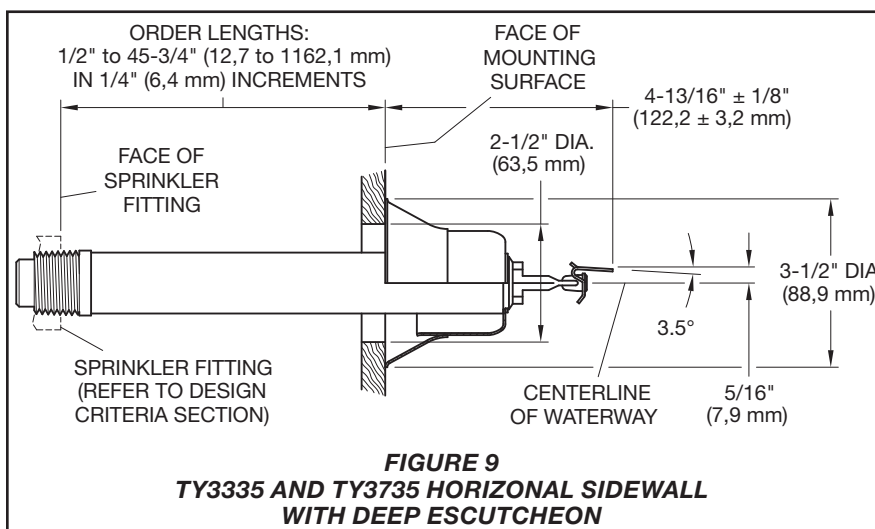
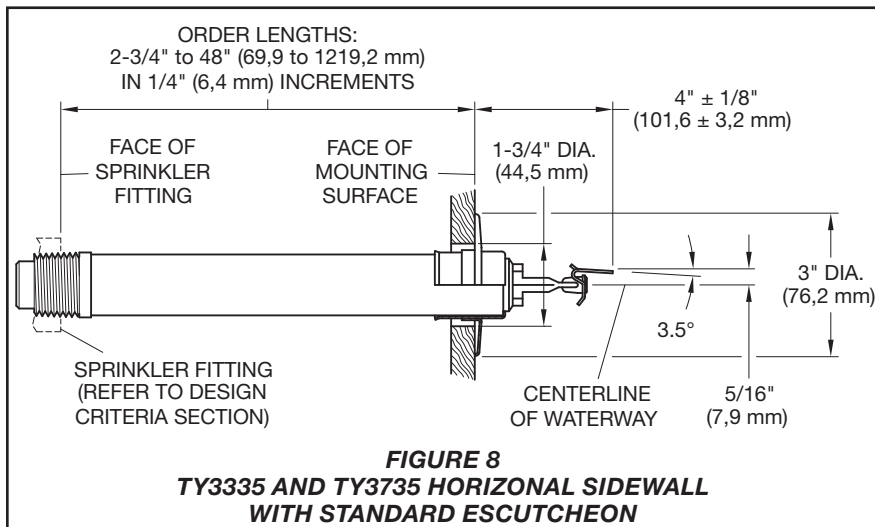


FIGURE 2
SERIES DS-1, 1-INCH NPT AND ISO 7-R1, QUICK RESPONSE
DRY-TYPE SPRINKLER ASSEMBLY





Operation

When the TYCO Series DS-1 Dry-Type Sprinkler is in service, water is prevented from entering the assembly by the Plug with Sealing Assembly in the Inlet of the Sprinkler. See Figures 1 and 2.

The glass Bulb contains a fluid that expands when exposed to heat. When the rated temperature is reached, the fluid expands sufficiently to shatter the glass Bulb, and the Bulb Seat is released.

The compressed Spring is then able to expand and push the Water Tube as well as the Guide Tube outward. This action simultaneously pulls inward on the Yoke, withdrawing the Plug with Sealing Assembly from the Inlet and allowing the sprinkler to activate and flow water.

Design Criteria

The TYCO Series DS-1 Sprinklers are intended for use in fire sprinkler systems designed in accordance with the standard installation rules recognized by the applicable Listing or Approval agency; for example, UL Listing is based on NFPA 13 requirements.

Sprinkler Fittings

Install the 3/4 or 1-inch NPT Series DS-1 Dry-Type Sprinklers in the 3/4 or 1-inch NPT outlet or run of the following fittings:

- malleable or ductile iron threaded tee fittings that meet the dimensional requirements of ANSI B16.3 (Class 150)
- cast iron threaded tee fittings that meet the dimensional requirements of ANSI B16.4 (Class 125).

Do not install the DS-1 Sprinklers into an elbow fittings. The Inlet of the sprinkler can contact the interior of the elbow, potentially damaging the Inlet seal.

The unused outlet of the threaded tee is plugged as shown in Figures 12 and 13.

You can also install the Series DS-1 Dry-Type Sprinklers in the 3/4 or 1-inch NPT outlet of a GRINNELL Figure 730 Mechanical Tee. However, the use of the Figure 730 Tee for this arrangement is limited to wet pipe systems.

The configuration shown in Figure 12 is only applicable for wet pipe systems where the sprinkler fitting and water-filled pipe above the sprinkler fitting are not subject to freezing and where the length of the Dry-Type Sprinkler has the minimum exposure length depicted in Figure 11. Refer to the Exposure Length section.

For wet pipe system installations of the 1-inch NPT Series DS-1 Dry-Type Sprinklers connected to CPVC piping, use only the following TYCO CPVC fittings:

- 1" x 1" NPT Female Adapter (P/N 80145)
- 1" x 1" x 1" NPT Sprinkler Head Adapter Tee (P/N 80249).

For wet pipe system installations of the the 3/4-inch NPT Series DS-1 Sprinklers connected to CPVC piping, use in the 3/4" x 3/4" NPT Female Adapter (P/N 80142).

For dry pipe system installations, use only the side outlet of maximum 2-1/2-inch reducing tee when locating the Series DS-1 Sprinklers directly below the branch line. Otherwise, use the configuration shown in Figure 13 to assure complete water drainage from above the Series DS-1 Dry-Type Sprinklers and the branch line. Failure to do so may result in pipe freezing and water damage.

NOTICE

Do not install the Series DS-1 Dry-Type Sprinkler into any other type fitting without first consulting the Technical Services Department. Failure to use the appropriate fitting may result in one of the following:

- *Failure of the sprinkler to operate properly due to formation of ice over the inlet Plug or binding of the Inlet Plug.*
- *Insufficient engagement of the Inlet pipe threads with consequent leakage.*

Drainage

In accordance with the minimum requirements of the National Fire Protection Association for dry pipe sprinkler systems, branch, cross, and feed-main piping connected to Dry Sprinklers and subject to freezing temperatures must be pitched for proper drainage.

Exposure Length

When using Dry Sprinklers in wet pipe sprinkler systems to protect areas subject to freezing temperatures, use Table C to determine a sprinkler's appropriate

exposed barrel length to prevent water from freezing in the connecting pipes due to conduction. The exposed barrel length measurement must be taken from the face of the sprinkler fitting to the surface of the structure or insulation that is exposed to the heated area. Refer to Figure 11 for an example.

Clearance Space

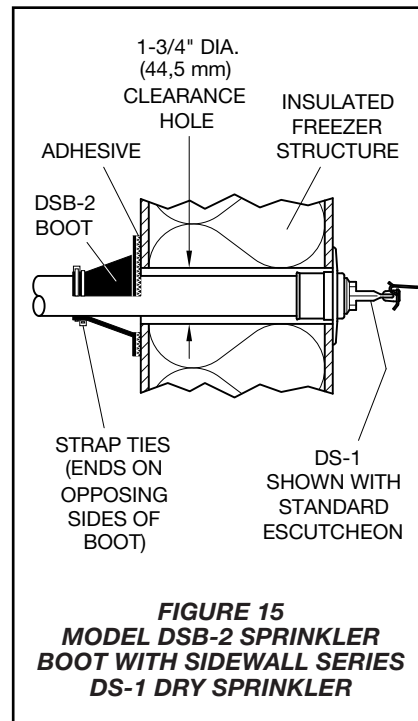
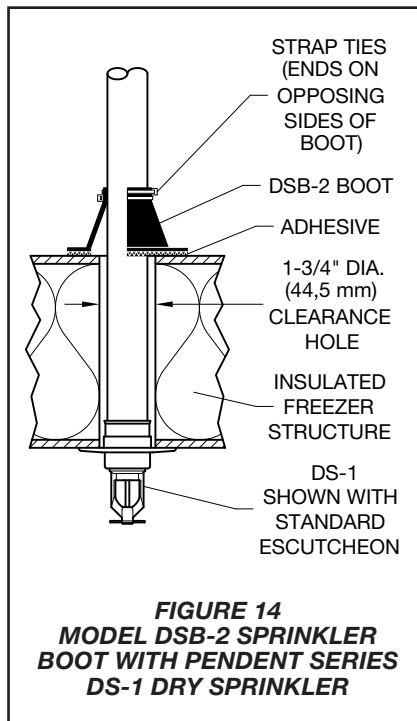
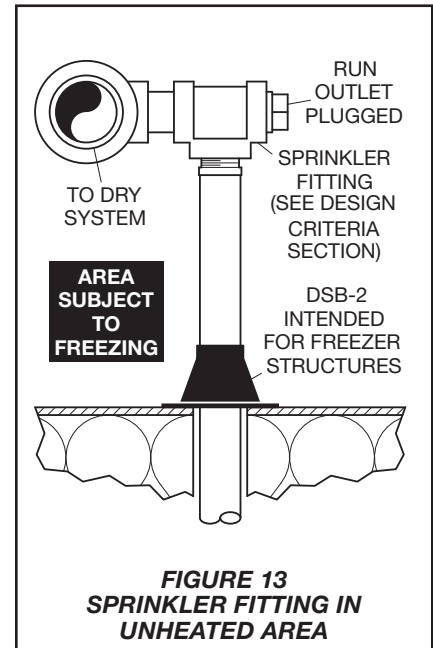
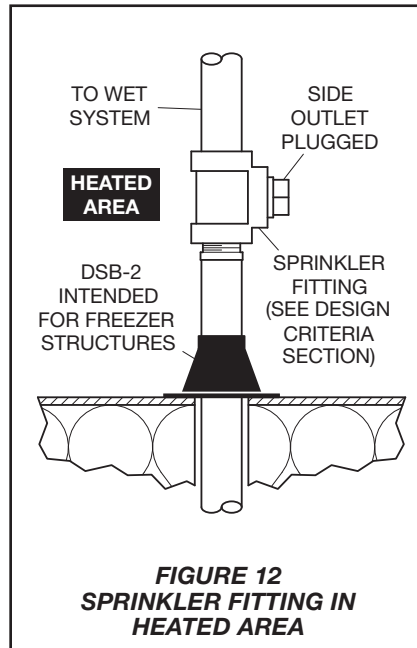
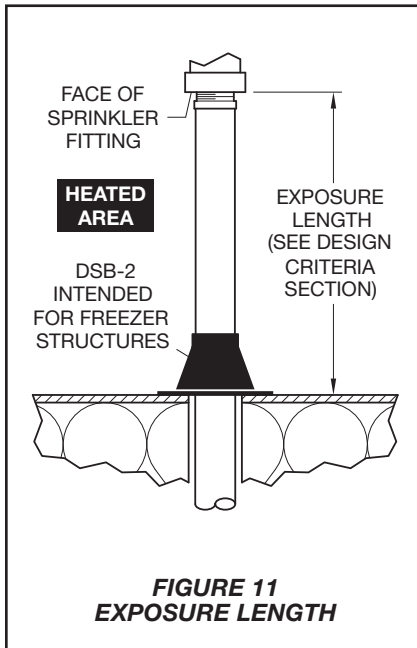
In accordance with Section 8.4.9.2 of the 2010 edition of NFPA 13, when connecting an area subject to freezing and an area containing a wet pipe sprinkler system, the clearance space around the sprinkler barrel of Dry-Type Sprinklers must be sealed. Due to temperature differences between two areas, the potential for the formation of condensation in the sprinkler and subsequent ice build-up is increased. If this condensation is not controlled, ice build-up can occur that might damage the dry-type sprinkler and/or prevent proper operation in a fire situation.

Use of the Model DSB-2 Dry Sprinkler Boot, described in technical data sheet TFP591 and shown in Figures 14 and 15, can provide the recommended seal.

Ambient Temperature Exposed to Discharge End of Sprinkler	Temperatures for Heated Area ^(a)		
	40°F (4°C)	50°F (10°C)	60°F (16°C)
	Minimum Exposed Barrel Length, Inches (mm) ^(b)		
40°F (4°C)	0	0	0
30°F (-1°C)	0	0	0
20°F (-7°C)	4 (100)	0	0
10°F (-12°C)	8 (200)	1 (25)	0
0°F (-18°C)	12 (305)	3 (75)	0
-10°F (-23°C)	14 (355)	4 (100)	1 (25)
-20°F (-29°C)	14 (355)	6 (150)	3 (75)
-30°F (-34°C)	16 (405)	8 (200)	4 (100)
-40°F (-40°C)	18 (455)	8 (200)	4 (100)
-50°F (-46°C)	20 (510)	10 (255)	6 (150)
-60°F (-51°C)	20 (510)	10 (255)	6 (150)

Notes:
(a) For protected area temperatures that occur between values listed above, use the next cooler temperature.
(b) These lengths are inclusive of wind velocities up to 30 mph (18,6 kph).

TABLE C
MINIMUM RECOMMENDED LENGTHS OF EXPOSED SPRINKLER BARRELS
IN WET PIPE SYSTEMS



Installation

The TYCO Series DS-1 Dry-Type Sprinklers must be installed in accordance with the following instructions.

NOTICE

The Series DS-1 Dry-Type Sprinkler must only be installed in fittings that meet the requirements of the Design Criteria section. Refer to the Design Criteria section for other important requirements regarding piping design and sealing of the clearance space around the Sprinkler Casing.

Do not install any bulb type sprinkler if the bulb is cracked or there is a loss of liquid from the bulb. With the sprinkler held horizontally, a small air bubble should be present. The diameter of the air bubble is approximately 1/16 inch (1,6 mm) for the 135°F (57°C) rating to 1/8 inch (3,2 mm) for the 286°F (141°C) rating.

- Obtain a leak-tight 3/4-inch NPT sprinkler joint by applying a minimum-to-maximum torque of 10 to 20 ft. lbs. (13,4 to 26,8 Nm).
- Obtain a leak-tight 1 inch NPT sprinkler joint by applying a minimum-to-maximum torque of 20 to 30 ft. lbs. (26,8 to 40,2 Nm).

Higher levels of torque can distort the sprinkler Inlet with consequent leakage or impairment of the sprinkler.

Do not attempt to compensate for insufficient adjustment in an Escutcheon Plate by under or over-tightening the Sprinkler. Re-adjust the position of the sprinkler fitting to suit.

1. Install pendent sprinklers only in the pendent position, and install upright sprinklers only in the upright position. The deflector of a pendent or upright sprinkler must be parallel to the ceiling.

Install horizontal sidewall sprinklers in the horizontal position with their centerline of waterway perpendicular to the back wall and parallel to the ceiling. Ensure the word "TOP" on the Deflector faces the ceiling.

2. With a non-hardening pipe-thread sealant such as Teflon¹ tape applied to the Inlet threads, hand-tighten the sprinkler into the sprinkler fitting.
3. Wrench-tighten the sprinkler using either:
 - a pipe wrench on the Inlet Band or the Casing (Figures 1 and 2)
 - the W-Type 7 Sprinkler Wrench on the Wrench Flat (Figure 16).

Apply the Wrench Recess of the W-Type 7 Sprinkler Wrench to the Wrench Flat.

Note: If sprinkler removal becomes necessary, remove the sprinkler using the same wrenching method noted above. Sprinkler removal is easier when a non-hardening sealant was used and torque guidelines were followed. After removal, inspect the sprinkler for damage.

4. After installing the ceiling or wall and applying a ceiling finish, slide on the outer piece of the Escutcheon until it comes in contact with the ceiling or wall. Do not lift the ceiling panel out of its normal position.

When using the Deep Escutcheon, hold the outer piece in contact with the mounting surface (ceiling or wall). Then rotate the inner piece approximately 1/4 turn with respect to the outer piece, to hold the Deep Escutcheon firmly together.

Care and Maintenance

The TYCO Series DS-1 Dry-Type Sprinklers must be maintained and serviced in accordance with the following instructions.

NOTICE

Before closing a fire protection system main control valve for maintenance work on the fire protection system that it controls, obtain permission to shut down the affected fire protection systems from the proper authorities and notify all personnel who may be affected by this action.

Absence of the outer piece of an escutcheon, which is used to cover a clearance hole, can delay the time to sprinkler operation in a fire situation.

A Vent Hole is provided in the Bulb Seat (Figures 1 and 2) to indicate if the Dry-Type Sprinkler is remaining dry. Evidence of leakage from the Vent Hole indicates potential leakage past the Inlet seal and the need to remove the sprinkler to determine the cause of leakage; for example, an improper installation or an ice plug. Close the fire protection system control valve and drain the system before removing the sprinkler.

Exercise care to avoid damage before, during, and after installation. Never paint, plate, coat, or otherwise alter automatic sprinklers after they leave the factory.

Never repaint factory-painted Cover Plates. When necessary, replace cover plates with factory-painted units.

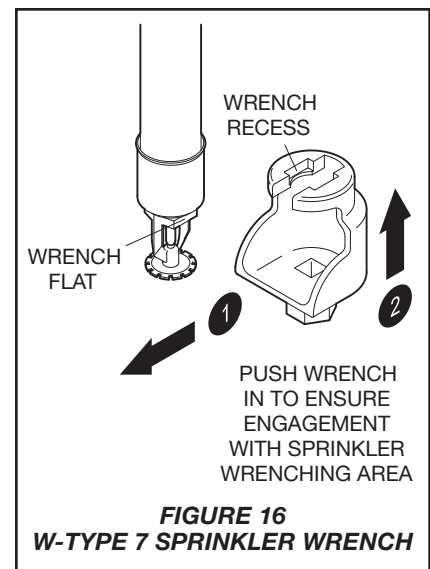
Non-factory applied paint can adversely delay or prevent sprinkler operation in the event of a fire.

Replace sprinklers that:

- were damaged by dropping, striking, wrench twisting, wrench slippage, or the like.
- were modified or over-heated.
- have cracked bulbs or have lost liquid from the bulbs. Refer to the Installation Section in this data sheet.
- are leaking or exhibiting visible signs of corrosion.

Responsibility lies with owners for the inspection, testing, and maintenance of their fire protection system and devices in compliance with this document, as well as with the applicable standards of the National Fire Protection Association (for example, NFPA 25), in addition to the standards of any other authorities having jurisdiction. The installing contractor or sprinkler manufacturer should be contacted relative to any questions.

Automatic sprinkler systems are recommended to be inspected, tested, and maintained by a qualified Inspection Service in accordance with local requirements and/or national codes.



¹ Registered trademark of DuPont

Limited Warranty

Products manufactured by Tyco Fire Suppression & Building Products (TFSBP) are warranted solely to the original Buyer for ten (10) years against defects in material and workmanship when paid for and properly installed and maintained under normal use and service. This warranty will expire ten (10) years from date of shipment by TFSBP. No warranty is given for products or components manufactured by companies not affiliated by ownership with TFSBP or for products and components which have been subject to misuse, improper installation, corrosion, or which have not been installed, maintained, modified or repaired in accordance with applicable Standards of the National Fire Protection Association, and/or the standards of any other Authorities Having Jurisdiction. Materials found by TFSBP to be defective shall be either repaired or replaced, at TFSBP's sole option. TFSBP neither assumes, nor authorizes any person to assume for it, any other obligation in connection with the sale of products or parts of products. TFSBP shall not be responsible for sprinkler system design errors or inaccurate or incomplete information supplied by Buyer or Buyer's representatives.

In no event shall TFSBP be liable, in contract, tort, strict liability or under any other legal theory, for incidental, indirect, special or consequential damages, including but not limited to labor charges, regardless of whether TFSBP was informed about the possibility of such damages, and in no event shall TFSBP's liability exceed an amount equal to the sales price.

The foregoing warranty is made in lieu of any and all other warranties, express or implied, including warranties of merchantability and fitness for a particular purpose.

This limited warranty sets forth the exclusive remedy for claims based on failure of or defect in products, materials or components, whether the claim is made in contract, tort, strict liability or any other legal theory.

This warranty will apply to the full extent permitted by law. The invalidity, in whole or part, of any portion of this warranty will not affect the remainder.

Ordering Procedure

Contact your local distributor for availability. When placing an order, indicate the full product name and Part Number (P/N).

Dry-Type Sprinklers

Specify this dry-type sprinkler as follows:

- Model/SIN from Page 1
- Quick Response, Standard Coverage, Dry-Type Sprinkler
- Deflector Style
- 5.6 K-Factor
- Order Length

Dry-Type Sprinklers are furnished based upon Order Length as measured per Figures 3 through 10. After taking the measurement, round it to the nearest 1/4 inch increment.

- Inlet Connection: 3/4-inch NPT, 1-inch NPT, or ISO 7-R1
- Temperature Rating
- Sprinkler Finish
- Escutcheon Style and Finish, as applicable
- Part Number (P/N) from Table C

The Upright Sprinkler without an Escutcheon (TY3135) is available in 1-Inch NPT only.

Part Numbers are for 3/4-inch and 1-inch NPT standard order sprinklers. Orders for all other sprinkler assemblies must be accompanied by a complete description. Refer to the Price List for a complete listing of Part Numbers.

Sprinkler Wrench

Specify: W-Type 7 Sprinkler Wrench, P/N 56-850-4-001.

Sprinkler Boot

Specify: Model DSB-2 Dry Sprinkler Boot, P/N 63-000-0-002.

This Part Number includes one Boot, two Strap Ties, and 1/3 oz. of Adhesive. The quantity of adhesive is sufficient for installing one Boot.

P/N 60 - XXX - X - XXX

		MODEL/SIN
01	Pendent with Standard Escutcheon (3/4" NPT)	TY3935 (Figure 3)
02	Pendent with Deep Escutcheon (3/4" NPT)	TY3935 (Figure 5)
03	Pendent with Standard Recessed Escutcheon (3/4" NPT)	TY3935 (Figure 4)
04	Pendent without Escutcheon (3/4" NPT)	TY3935 (Figure 6)

	SPRINKLER FINISH	ESCUTCHEON FINISH (1)
1	NATURAL BRASS	WHITE
4	WHITE POLYESTER	WHITE
9	CHROME PLATED	CHROME
0	CHROME PLATED	WHITE
2	NATURAL BRASS	BRASS PLATED

05	Sidewall with Standard Escutcheon (3/4" NPT)	TY3735 (Figure 8)
06	Sidewall with Deep Escutcheon (3/4" NPT)	TY3735 (Figure 9)
07	Sidewall without Escutcheon (3/4" NPT)	TY3735 (Figure 10)

	TEMPERATURE RATINGS (2)
0	135°F (57°C)
1	155°F (68°C)
2	175°F (79°C)
3	200°F (93°C)
4	286°F (141°C)

	SAMPLE ORDER LENGTHS (3)
055	5.50"
082	8.25"
180	18.00"
187	18.75"
372	37.25"
480	48.00"

36	Pendent with Standard Escutcheon (1" NPT)	TY3235 (Figure 3)
33	Pendent with Deep Escutcheon (1" NPT)	TY3235 (Figure 5)
37	Pendent with Standard Recessed Escutcheon (1" NPT)	TY3235 (Figure 4)
32	Pendent without Escutcheon (1" NPT)	TY3235 (Figure 6)

34	Sidewall with Standard Escutcheon (1" NPT)	TY3335 (Figure 8)
43	Sidewall with Deep Escutcheon (1" NPT)	TY3335 (Figure 9)
44	Sidewall without Escutcheon (1" NPT)	TY3335 (Figure 10)

38	Upright without Escutcheon (1" NPT)	TY3135 (Figure 7)
----	-------------------------------------	-------------------

NOTES

- (1). Escutcheon Finish applies to sprinklers provided with escutcheons.
- (2). 286°F (141°C) temperature rating applies to non-recessed sprinkler assemblies.
- (3). Dry-Type Sprinklers are furnished based upon "Order Length" as measured per Figures 3 through 10, as applicable, and for each individual sprinkler where it is to be installed. After the measurement is taken, round it to the nearest 1/4 inch increment.

TABLE C
PART NUMBER SELECTION
SERIES DS-1, 3/4 AND 1-INCH NPT, QUICK RESPONSE, STANDARD COVERAGE, DRY-TYPE SPRINKLERS
(Use Prefix "I" for ISO 7-R1 Connection; for example, I-60-361-1-180)

Series RFII — 5.6 K-factor “Royal Flush II” Concealed Pendent Sprinklers Quick & Standard Response, Standard Coverage

General Description

The TYCO Series RFII 5.6 K-factor, “Royal Flush II” Concealed Pendent Sprinklers Quick Response (3-mm bulb) and Standard Response (5-mm bulb), are decorative sprinklers featuring a flat cover plate designed to conceal the sprinkler. These sprinklers are optimal for architecturally sensitive areas such as hotel lobbies, office buildings, churches, and restaurants.

Each sprinkler includes a Cover Plate/Retainer Assembly and a Sprinkler/Support Cup Assembly. The separable, two-piece assembly design provides the following benefits:

- Allows installation of the sprinklers and pressure testing of the fire protection system prior to installation of a suspended ceiling or application of the finish coating to a fixed ceiling.
- Permits the removal of suspended ceiling panels for access to building service equipment without having to first shut down the fire protection system and remove sprinklers.
- Provides for 1/2 in. (12,7 mm) of vertical adjustment to allow a measure of flexibility in determining the length of fixed piping to cut for the sprinkler drops.

IMPORTANT

Refer to Technical Data Sheet TFP2300 for warnings pertaining to regulatory and health information.

Always refer to Technical Data Sheet TFP700 for the “INSTALLER WARNING” that provides cautions with respect to handling and installation of sprinkler systems and components. Improper handling and installation can permanently damage a sprinkler system or its components and cause the sprinkler to fail to operate in a fire situation or cause it to operate prematurely.

The Series RFII Sprinklers are shipped with a Disposable Protective Cap. The Protective Cap is temporarily removed during installation and replaced to help protect the sprinkler during ceiling installation or finish. The tip of the Protective Cap can be used to mark the center of the ceiling hole into plaster board or ceiling tiles by gently pushing the ceiling product against the Protective Cap. When ceiling installation is complete, the Protective Cap is removed and the Cover Plate/Retainer Assembly is installed.

As an option, the Series RFII Standard Response (5-mm bulb) “Royal Flush II” Concealed Pendent Sprinklers can be fitted with a silicone Air and Dust Seal. (Refer to Figure 5.) The Air and Dust Seal is intended for sensitive areas where it is desirable to prevent air and dust from the area above the ceiling to pass through the cover plate.

NOTICE

The Series RFII Concealed Pendent Sprinklers described herein must be installed and maintained in compliance with this document and with the applicable standards of the NATIONAL FIRE PROTECTION ASSOCIATION (NFPA), in addition to the standards of any authorities having jurisdiction. Failure to do so may impair the performance of these devices.

The owner is responsible for maintaining their fire protection system and devices in proper operating condition. The installing contractor or sprinkler manufacturer should be contacted with any questions.

Sprinkler Identification Number (SIN)

TY3531 — 3 mm bulb
TY3551 — 5 mm bulb



Technical Data

Sprinkler Approvals

Approvals apply only to the service conditions indicated in the Design Criteria section.

- TY3531 (3 mm Bulb) is UL Listed, C-UL Listed and NYC Approved (MEA 353-01-E) as Quick Response.
- TY3531 (3 mm Bulb) is VdS Approved (Certificate No. G4090007).
- TY3531 (3 mm Bulb) is FM and LPCB Approved (Ref. No. 094a/10) as Standard Response.

Note: FM and LPCB do not approve concealed sprinklers for quick response.

- TY3551 (5 mm Bulb) is UL Listed, C-UL Listed, FM Approved, LPCB Approved (Ref. No. 094a/9), and NYC Approved (MEA 353-01-E) as Standard Response.

Approvals for Air and Dust Seal

UL and C-UL Listed for use with the RFII Standard Response Concealed Sprinkler (TY3551)

Maximum Working Pressure

Maximum 250 psi (17,3 bar) by UL, C-UL, and NYC

Maximum 175 psi (12,1 bar) by FM, VdS, and LPCB

Temperature Rating

155°F (68°C) Sprinkler with
139°F (59°C) Cover Plate

200°F (93°C) Sprinkler with
165°F (74°C) Cover Plate

Discharge Coefficient

K= 5.6 GPM/psi^{1/2} (80,6 LPM/bar^{1/2})

Adjustment

1/2 inch (12,7 mm)

Finishes

See the Ordering Procedure section.

Physical Characteristics

Frame	Bronze
Support Cup	Plated Steel
Guide Pins	Stainless Steel
Deflector	Bronze
Compression Screw	Brass
Bulb	Glass
Cap	Bronze or Copper
Sealing Assembly	Beryllium Nickel w/TEFLON
Cover Plate	Brass
Retainer	Brass
Ejection Spring	Stainless Steel

Design Criteria

The TYCO Series RFI 5.6 K-factor, "Royal Flush II" Concealed Pendent Sprinklers are intended for fire protection systems designed in accordance with the standard installation rules recognized by the applicable Listing or Approval agency; for example, UL Listing is based on NFPA 13 and VdS Approval is based on the CEA 4001.

For more information on LPCB and VdS Approvals, contact Johnson Controls at the following office:

Enschede, Netherlands
 Telephone: 31-53-428-4444
 Fax: 31-53-428-3377

The Series RFI Concealed Pendent Sprinklers are only listed and approved with the Series RFI Concealed Cover Plates having a factory applied finish.

NOTICE

Do not use the Series RFI in applications where the air pressure above the ceiling is greater than that below. Down drafts through the Sprinkler/Support Cup Assembly can delay sprinkler operation in a fire situation.

Operation

When exposed to heat from a fire, the Cover Plate, normally soldered to the Retainer at three points, falls away to expose the Sprinkler/Support Cup Assembly.

The Deflector — supported by the Guide Pins — then drops down to its operational position.

The glass bulb contains a fluid that expands when exposed to heat. When the rated temperature is reached, the fluid expands sufficiently to shatter the glass bulb, activating the sprinkler and allowing water to flow.

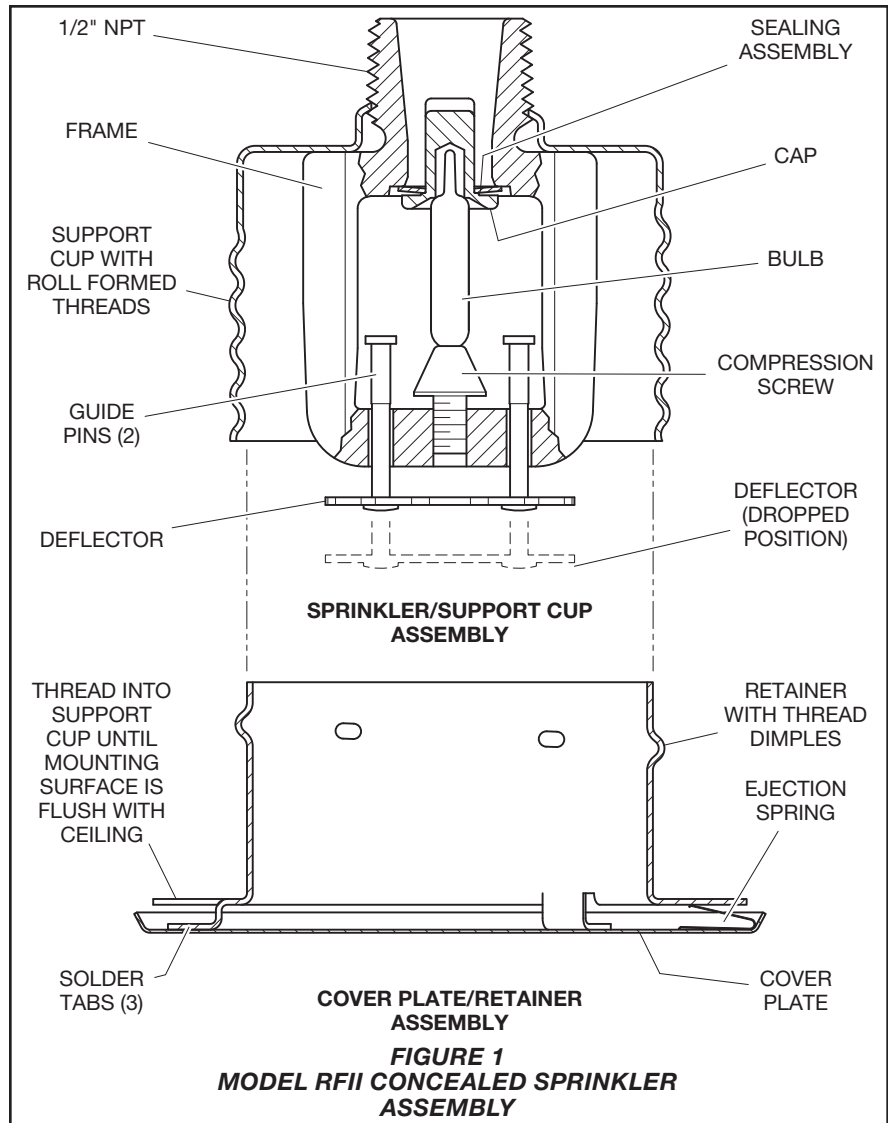


FIGURE 1
MODEL RFI CONCEALED SPRINKLER ASSEMBLY

Installation

The TYCO Series RFI 5.6 K-factor, "Royal Flush II" Concealed Pendent Sprinklers must be installed in accordance with this section.

General Instructions

Do not install any bulb-type sprinkler if the bulb is cracked or there is a loss of liquid from the bulb. With the sprinkler held horizontally, a small air bubble should be present. The diameter of the air bubble is approximately 1/16 inch (1,6 mm) for the 155°F (68°C) and 3/32 inch (2,4 mm) for the 200°F (93°C) temperature ratings.

A leak-tight 1/2 inch NPT sprinkler joint should be obtained by applying a minimum to maximum torque of 7 to 14 ft.-lbs. (9,5 to 19,0 Nm). Higher levels of torque can distort the sprinkler Inlet with consequent leakage or impairment of the sprinkler.

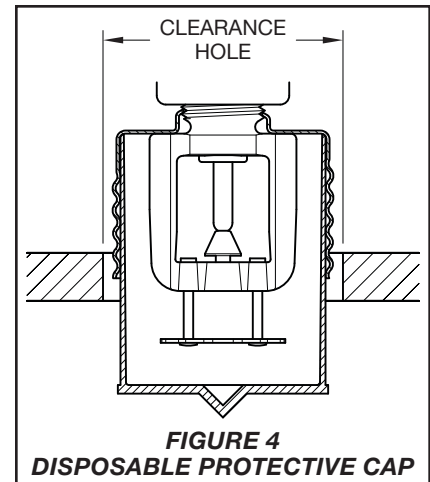
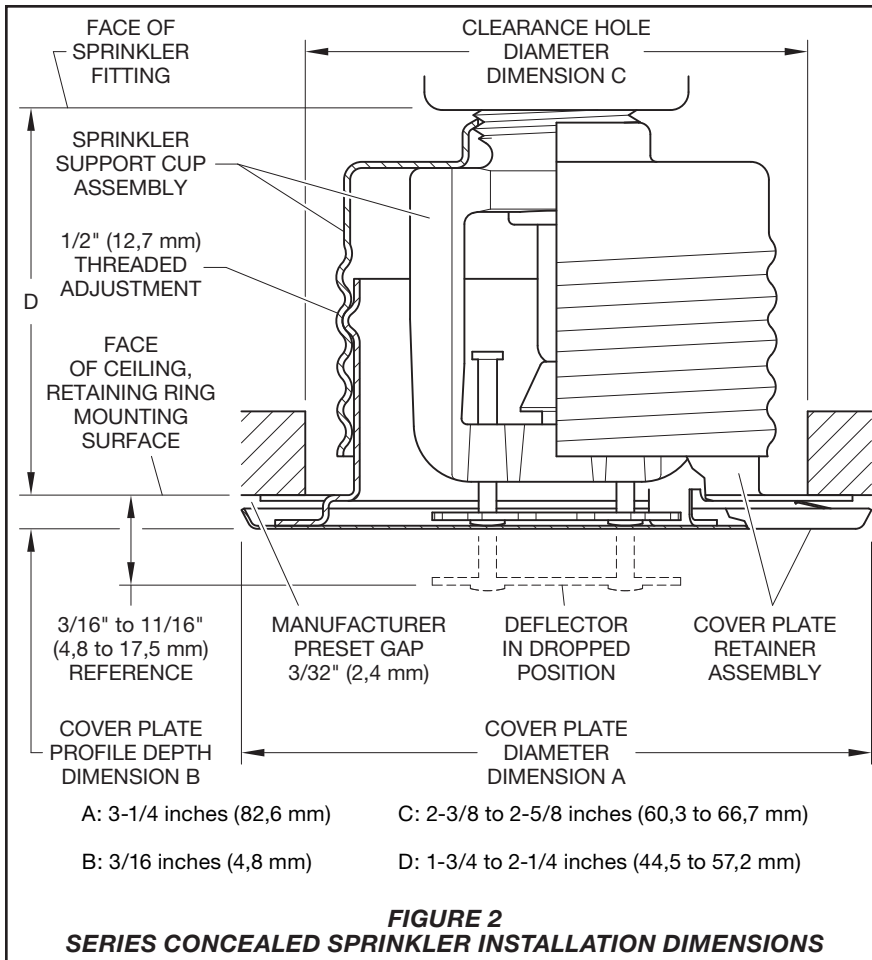
Do not attempt to compensate for insufficient adjustment in the Sprinkler by under- or over-tightening the Sprinkler/Support Cup Assembly. Re-adjust the position of the sprinkler fitting to suit.

Step 1. Install the sprinkler only in the pendent position with the center-line of the sprinkler perpendicular to the mounting surface.

Step 2. Remove the Protective Cap.

Step 3. With pipe thread sealant applied to the pipe threads, hand-tighten the sprinkler into the sprinkler fitting.

Step 4. Wrench-tighten the sprinkler using only the RFI Sprinkler Wrench. (Refer to Figure 3.) Apply the RFI Sprinkler Wrench to the Sprinkler as shown in Figure 3.



Step 5. Replace the Protective Cap by pushing it upwards until it bottoms out against the Support Cup. (Refer to Figure 4.) The Protective Cap helps prevent damage to the Deflector and Arms during ceiling installation and/or finish. You can also use the Protective Cap to locate the center of the clearance hole by gently pushing the ceiling material up against the center point of the Protective Cap.

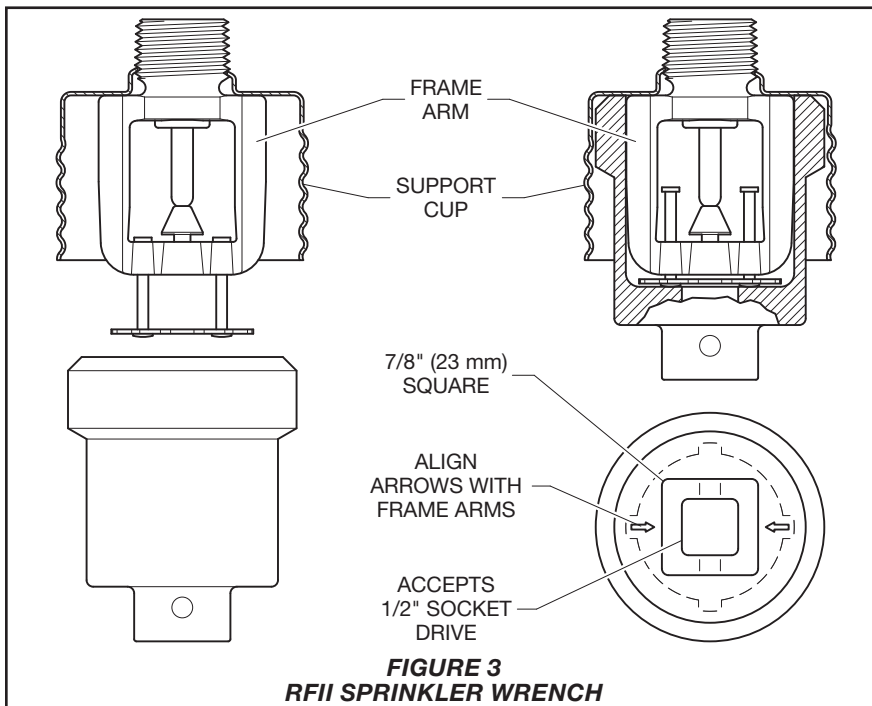
NOTICE

As long as the Protective Cap remains in place, the system is considered "Out of Service".

Step 6. After the ceiling has been completed with the 2-1/2 in. (63,5 mm) diameter clearance hole and in preparation for installing the Cover Plate/Retainer Assembly, remove and discard the Protective Cap. Verify that the Deflector moves up and down freely.

If the Sprinkler is damaged and the Deflector does not move up and down freely, replace the entire Sprinkler. Do not attempt to modify or repair a damaged sprinkler.

Step 7. When installing an Air and Dust Seal, refer to Figure 5; otherwise, proceed to Step 8. To attach the Air and Dust Seal, verify the angle of the outside edge of the seal is oriented according to Figure 5. Start the edge of the Retainer in the grooved slot of the Air and Dust Seal and continue around the retainer until the entire Air and Dust Seal is engaged.



Step 8. Screw on the Cover Plate/Retainer Assembly until the Retainer (shown in Figure 2) or the Air and Dust Seal (shown in Figure 5) contacts the ceiling. Do not continue to screw on the Cover Plate/Retainer Assembly so that it lifts a ceiling panel out of its normal position. If you cannot engage the Cover Plate/Retainer Assembly with the Support Cup or you cannot engage the Cover Plate/Retainer Assembly sufficiently to contact the ceiling, you must reposition the Sprinkler Fitting.

Care and Maintenance

The TYCO Series RFII 5.6 K-factor, "Royal Flush II" Concealed Pendent Sprinklers must be maintained and serviced in accordance with this section.

Before closing a fire protection system main control valve for maintenance work on the fire protection system that it controls, obtain permission to shut down the affected fire protection system from the proper authorities and notify all personnel who may be affected by this action.

Absence of the Cover Plate/Retainer Assembly can delay sprinkler operation in a fire situation.

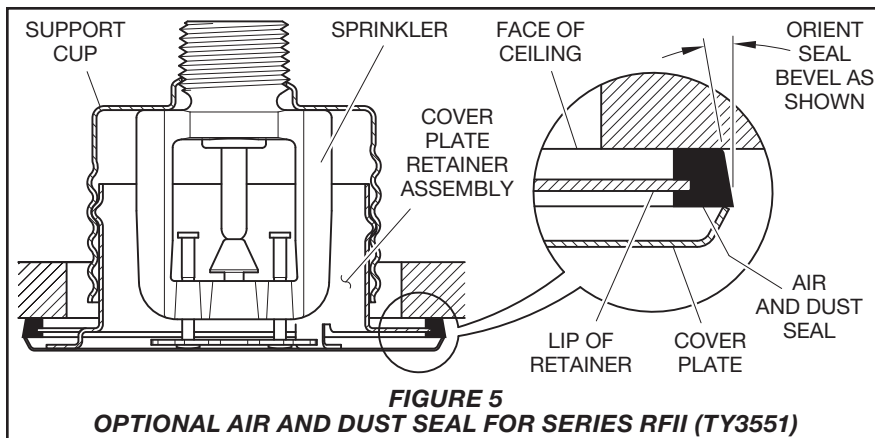
When properly installed, there is a nominal 3/32 in. (2,4 mm) air gap between the lip of the Cover Plate and the ceiling, as shown in Figure 2.

This air gap is necessary for proper operation of the sprinkler. If the ceiling requires repainting after sprinkler installation, ensure that the new paint does not seal off any of the air gap.

Do not pull the Cover Plate relative to the Enclosure. Separation may result.

Sprinklers which are found to be leaking or exhibiting visible signs of corrosion must be replaced.

Automatic sprinklers must never be painted, plated, coated, or otherwise altered after leaving the factory. Modified sprinklers must be replaced. Sprinklers that have been exposed to corrosive products of combustion, but have not operated, should be replaced if they cannot be completely cleaned by wiping the sprinkler with a cloth or by brushing it with a soft bristle brush.



Care must be exercised to avoid damage to the sprinklers - before, during, and after installation. Sprinklers damaged by dropping, striking, wrench twist/slippage, or the like, must be replaced. Also, replace any sprinkler that has a cracked bulb or that has lost liquid from its bulb. (Ref. Installation Section.)

Exercise care to avoid damage to sprinklers before, during, and after installation. Replace sprinklers damaged by dropping, striking, wrench twisting, wrench slipping, or the like. Also, replace any sprinkler that has a cracked bulb or that has lost liquid from its bulb. (Refer to the Installation section.)

If you must remove a sprinkler, do not reinstall it or a replacement without reinstalling the Cover Plate/Retainer Assembly. If a Cover Plate/Retainer Assembly becomes dislodged during service, replace it immediately.

The owner is responsible for the inspection, testing, and maintenance of their fire protection system and devices in compliance with this document, as well as with the applicable standards of the NATIONAL FIRE PROTECTION ASSOCIATION, for example, NFPA 25, in addition to the standards of any other authorities having jurisdiction. Contact the installing contractor or sprinkler manufacturer regarding any questions.

Automatic sprinkler systems should be inspected, tested, and maintained by a qualified Inspection Service in accordance with local requirements and/or national code.

Limited Warranty

For warranty terms and conditions, visit www.tyco-fire.com.

Ordering Procedure

Contact your local distributor for availability. When placing an order, indicate the full product name.

Sprinkler/Support Cup Assembly
 Specify: Series RFII (specify SIN), K=5.6, "Royal Flush II" Pendent Sprinklers (specify) temperature rating, P/N* (specify):

	155°F (68°C)	200°F (93°C)
TY3531	51-792-1-155	51-792-1-200
TY3551	51-790-1-155	51-790-1-200

* Use Suffix "I" for ISO 7-1 connection; for example, 51-792-1-155-I

Separately Ordered Cover Plate/Retainer Assembly:

Specify: (temperature rating from below) Series RFII Concealed Cover Plate with (finish), P/N (specify).

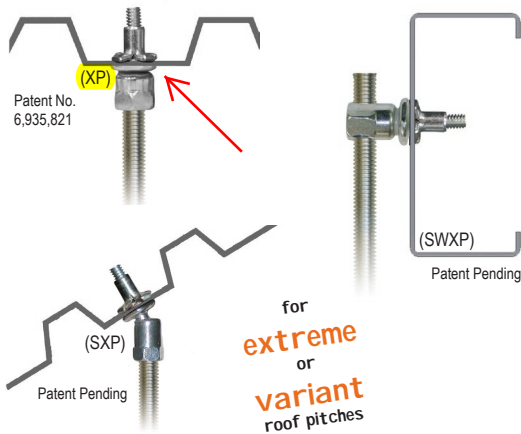
	139°F (59°C)(a)	165°F (74°C)(b)
Grey White (RAL9002)	56-792-0-135	56-792-0-165
Brass	56-792-1-135	56-792-1-165
Pure White (c) (RAL9010)	56-792-3-135	56-792-3-165
Signal White (RAL9003)	56-792-4-135	56-792-4-165
Jet Black (RAL9005)	56-792-6-135	59-792-6-165
Brushed		
Chrome	56-792-8-135	56-792-8-165
Chrome	56-792-9-135	56-792-9-165
Custom	56-792-X-135	56-792-X-165

- (a) For use with 155°F (68°C) sprinklers.
- (b) For use with 200°F (93°C) sprinklers.
- (c) Eastern Hemisphere sales only.

Sprinkler Wrench
 Specify: RFII Sprinkler Wrench, P/N 56-000-1-075

Air and Dust Seal
 Specify: Air and Dust Seal, P/N 56-908-1-001

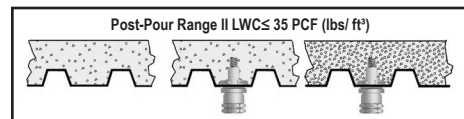
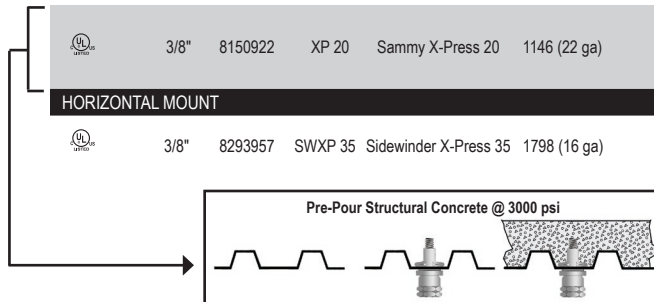
Sammy X-Press® *Installs into Metal Deck, Purlin, or Tubular Steel*



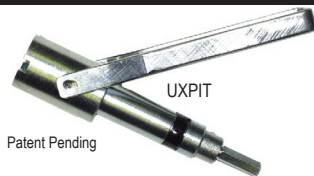
Product Features

- The **Sammy X-Press** expands to provide direct vertical attachment in:
 - Metal Deck (22-16 gauge)
 - Z-Purlin (18-16 gauge)
 - The **Sammy X-Press Swivel** allows you to hang plumb in extreme roof pitches:
 - 89° in Z-Purlin
 - 45° in metal deck for 12/12 pitch
 - The **Sammy X-Press Sidewinder** expands to provide horizontal attachment in:
 - 16 ga - 3/16" steel - purlin, tubular steel.
- Installs in seconds, saving time & installation costs.
 - Use in applications where access to the back of the installed fastener is prohibited. i.e. metal roof deck, tubular steel, or vapor barrier fabric.
 - Less jobsite material needed.
 - No retaining nut required.
 - Provides design flexibility.

Approvals	Rod Size	Part Number	Model	Description	Ultimate Pullout (lbs)	UL Test Load (lbs)	FM Test Load (lbs)	Min Thick	Max Thick	Box Qty	Case Qty	Application
VERTICAL MOUNT												
UL	1/4"	8181922	XP 200	X-Press 200	1146 (22 ga)	185 (Luminaire) 250 (Luminaire)		.027" .056"	.125"	25	125	Metal Deck
UL, FM	3/8"	8150922	XP 20	X-Press 20	1146 (22 ga)	850 (2 1/2" Pipe) 185 (Luminaire) 250 (Luminaire) 283 (Conduit & Cable)	940 (2" Pipe) 1475 (4" Pipe)	.027" .027" .056"	.125"	25	125	Metal Deck
UL, FM	3/8"	8153922	XP 35	X-Press 35	1783 (16 ga)	1250 (3 1/2" Pipe) 85 (Luminaire) 250 (Luminaire) 416 (Conduit & Cable)	940 (2" Pipe) 1475 (4" Pipe)	.060" .105" .027" .056"	.125"	25	125	Purlin
UL, FM	3/8"	8294922	SXP 20	Swivel X-Press 20	1061 (22 ga Vertical) 829 (45° Off Vertical)	750 (2" Pipe) 170 vertical (Luminaire) 80 @ 45° (Luminaire) 283 vertical (Conduit & Cable) 233 @ 45° (Conduit & Cable)	635 (2" Pipe)	.027"	.125"	25	125	Metal Deck
UL, FM	3/8"	8295922	SXP 35	Swivel X-Press 35	1675 (16 ga Vertical) 1558 (89° Off Vertical)	1250 (3 1/2" Pipe) 250 vertical (Luminaire) 80 @ 90° (Luminaire) 500 vertical (Conduit & Cable) 333 @ 89° (Conduit & Cable)	635 (2" Pipe)	.060"	.125"	25	125	Purlin
UL	3/8"	8150922	XP 20	Sammy X-Press 20	1146 (22 ga)	850 (2 1/2" Pipe)	Pre-Pour Structural Concrete @ 3000 psi Post-Pour Range II LWC ≤ 35 PCF (lbs/ft³)			25	125	Metal Deck (Pre-Pour) Metal Deck (Post-Pour)
HORIZONTAL MOUNT												
UL	3/8"	8293957	SWXP 35	Sidewinder X-Press 35	1798 (16 ga)	1250 (3 1/2" Pipe) 80 (Luminaire) 416 (Conduit & Cable)		.060"	.125"	25	125	Purlin



Sammy X-Press It® INSTALLATION TOOL



Part Number	Model	Description	Each Qty
8194910	UXPIT*	Universal X-Press It Tool	1
8195910	RXPIT	Retro Socket for 8151910	1
8152910	XPDB	25/64" Drill Bit	1

*Tool Includes: Sleeve, Bit Receiver, Hex Wrench, and 25/64" Drill Bit.



To watch a video demonstration of the Sammy X-Press, visit <http://www.sammysuperscrew.com/sammyxpress.htm>

