

# Domino's - 2800 NC 24/87 Cameron, NC 28326

## GENERAL NOTES:

INSTALLATION PER IFC-2012, NFPA 96, 17A, AND UL 300 STANDARDS AND PER MANUFACTURERS' INSTRUCTIONS/RECOMMENDATIONS DESIGN BASED ON SECTION III OF AMEREX INSTALLATION MANUAL

ALL PIPE AND FITTINGS ARE SCHEDULE 40 BLACK IRON & CHROME PIPING CONFIGURATIONS & LIMITATIONS ARE TOO LENGTHY TO LIST PIPING SHALL BE INSTALLED IN ACCORDANCE WITH THE MANUFACTURER'S REQUIREMENTS SEE CHAPTER 3 - DISTRIBUTION PIPING REQUIREMENTS

ACTUATION & EXPELLENT HOSES, PIPING OR TUBING SHALL BE INSTALLED IN ACCORDANCE WITH CHAPTER 3.

DETECTION LINE LIMITATIONS SHALL BE INSTALLED IN ACCORDANCE WITH AMEREX TECHNICAL MANUAL CHAPTER 3 - SYSTEM DESIGN SCISSOR STYLE DETECTORS SHALL BE USED WITHOUT OFF-SET CONDUIT. MAXIMUM # OF DETECTORS IS 15. MAXIMUM NUMBER OF CORNER PULLEYS IS 20 WITH A MAXIMUM OF 150' OF 1/2" EMT FUSIBLE LINK INSTALLATION SHALL CONFORM TO MANUFACTURER'S INSTRUCTIONS APPLIANCES WITH A CONTINUOUS COOKING SURFACE UP TO 48" X 48" SHALL BE PROTECTED WITH A SINGLE DETECTOR APPLIANCES EXCEEDING 48" X 48" SHALL BE PROTECTED BY MULTIPLE DETECTORS

REMOTE MANUAL PULL STATION(S) SHALL BE INSTALLED ON A PATH OF EGRESS OR EXIT AND IN ACCORDANCE WITH AMEREX TECHNICAL MANUAL CHAPTER 3 - SYSTEM DESIGN MAXIMUM NUMBER OF 20 CORNER PULLEYS, 150 FEET OF 1/2" EMT AND (1) TEE PULLEY

MECHANICAL GAS VALVE CONNECTIONS SHALL BE MADE IN ACCORDANCE WITH CODE REQUIREMENTS & CHAPTER 3 - SYSTEM DESIGN OF THE AMEREX MANUAL A MAXIMUM OF 20 CORNER PULLEYS, 150 FEET OF 1/2" EMT AND (1) TEE PULLEY

ELECTRIC GAS VALVES SHALL BE CONNECTED USING A RESET RELAY RESET RELAY & ELECTRICAL PORTION OF VALVE INSTALLATION SHALL BE BY A QUALIFIED ELECTRICIAN CONFORMANCE WITH NFPA #70 IS THE RESPONSIBILITY OF THE INSTALLING CONTRACTOR NOT AAFP FIRE

CONNECTION TO FIRE ALARM CONTROL PANEL TO BE MADE BY OTHERS WHEN APPLICABLE ELECTRICAL DISCONNECTS TO BE PERFORMED BY QUALIFIED ELECTRICIAN, WHEN APPLICABLE GAS VALVE TO BE INSTALLED BY A QUALIFIED PLUMBER WHEN APPLICABLE CONFORMANCE TO APPLICABLE NFPA CODES FOR ALARM, ELECTRICAL & PLUMBING WORK IS THE RESPONSIBILITY OF THE INSTALLING CONTRACTOR & IS NOT THE RESPONSIBILITY OF AAFP.

CONDITION AND ACCEPTABILITY OF THE EXHAUST HOOD & DUCT IS THE RESPONSIBILITY OF THE OWNER/OPERATOR

APPLIANCES SHOWN ON PLANS ARE REPRESENTATIONAL ONLY - ACTUAL APPLIANCES MAY APPEAR DIFFERENT THAN SHOWN ON PLANS

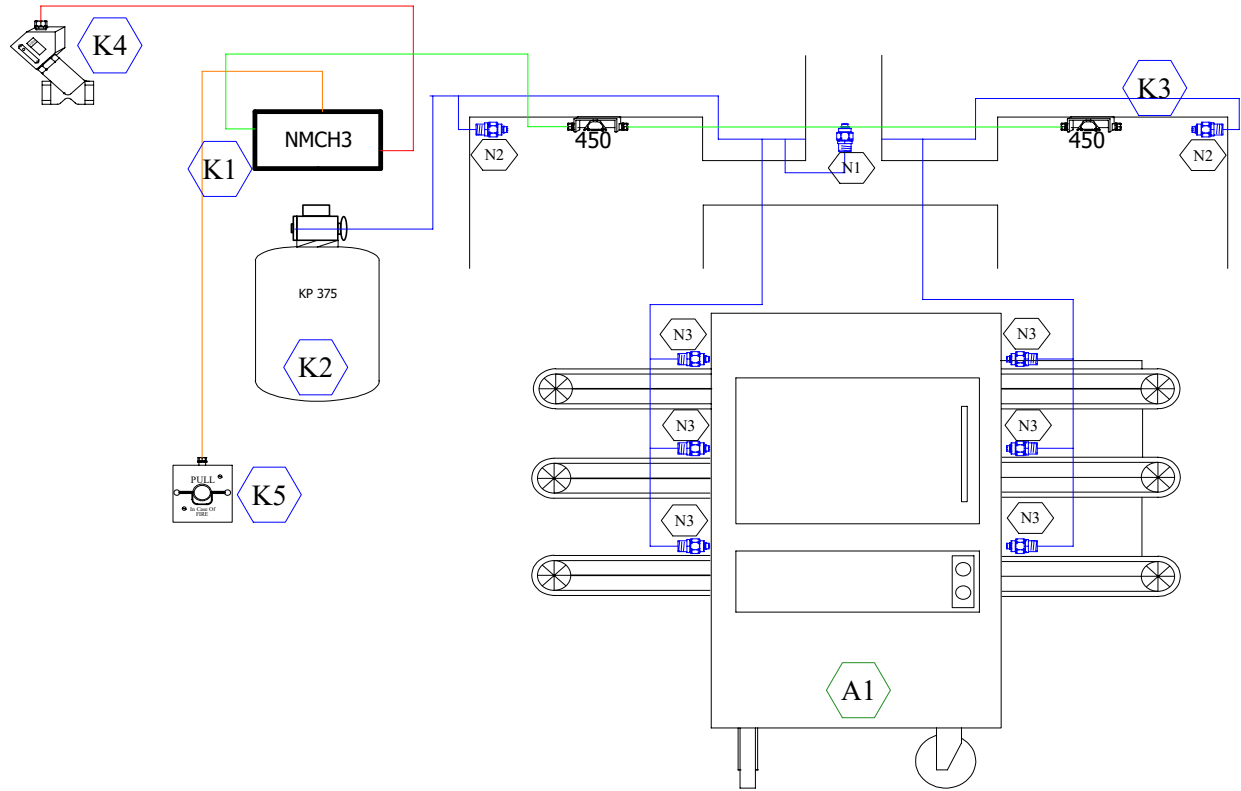
## GENERAL SEQUENCE OF OPERATION - NOT PROJECT SPECIFIC

UPON ACTIVATION OF A FUSIBLE LINK OR REMOTE MANUAL PULL STATION A AMEREX WET CHEMICAL FIRE SYSTEM MAY RESULT IN THE FOLLOWING SEQUENCE OF OPERATION:

WET CHEMICAL SHALL DISCHARGE ONTO PROTECTED APPLIANCES & INTO DUCT & PLENUM AREAS OF HOOD SIMULTANEOUSLY, IF CONNECTED, A FIRE ALARM SYSTEM SHALL BE ACTIVATED OR A HORN/STROBE SHALL ACTIVATE (PRECISE OPERATIONS OF FIRE ALARM SYSTEM / CONTROL PANEL ARE NOT THE RESPONSIBILITY OF THE SUPPRESSION SYSTEM CONTRACTOR AND ARE NOT LISTED ON THESE PLANS) SIMULTANEOUSLY, ALL GAS APPLIANCES LOCATED UNDER THE HOOD SHALL SHUTDOWN VIA MECHANICAL OR ELECTRICAL GAS VALVE SIMULTANEOUSLY, ALL ELECTRICAL EQUIPMENT, PROTECTED OR UNPROTECTED, UNDER THE HOOD SHALL SHUTDOWN SIMULTANEOUSLY, HOOD LIGHTS, AS PERMITTED BY CODE MAY REMAIN ON OR MAY SHUTDOWN SIMULTANEOUSLY, INTERNAL MAKE-UP AIR SHALL SHUTDOWN SIMULTANEOUSLY, EXTERNAL MAKE-UP AIR MAY REMAIN ON OR MAY SHUTDOWN SIMULTANEOUSLY, EXHAUST FAN MAY OR MAY NOT CONTINUE TO OPERATE (IF THE EXHAUST FAN IS OFF AT THE TIME OF DISCHARGE, THE FAN MAY OR MAY NOT TURN ON)

## I.D. DESCRIPTION

- K1** NEW AMEREX CONTROL HEAD CONTAINS (1) CARTRIDGE, (1) SET OF MICROSWITCHES
- K2** CYLINDER #1 - (1) KP375 3.75 GALLON TANK 10 FLOW POINTS AVAIL. 9 USED
- K3** HOOD #1: NEW TYPE I EXHAUST HOOD: 8'-0" X 78" W/ A SINGLE BANK OF BAFFLED FILTERS CONTAINS (1) EXHAUST DUCTS: 12" X 11"
- K4** NEW MECHANICAL GAS VALVE LOCATED ABOVE THE CEILING
- K5** NEW REMOTE MANUAL PULL STATION LOCATED 48" A.F.F. ON PATH OF EGRESS OR EXIT



## I.D. NOZZLE DESCRIPTION

### 16416 NOZZLE: SINGLE DUCT NOZZLE

NOZZLE ID: 16416  
 LOCATION: CENTERED - 2" - 8" INTO DUCT OPENING  
 MAXIMUM COVERAGE: 50 PERIMETER INCHES  
 MAXIMUM DIAGONAL: 18.8"  
 FLOW POINTS: 1

### 11982 NOZZLE: PLENUM - SINGLE BANK

NOZZLE ID: 11982  
 LOCATION: 0"-4" FROM BACK WALL & 1/3 OF FILTER HEIGHT DOWN  
 MAXIMUM COVERAGE: 10'-0" LONG X 24" WIDE  
 FLOW POINTS: 1

### 11982 NOZZLE: SALAMANDER/CH MELTER

NOZZLE ID: 11982  
 LOCATION: MIDDLE OPENING AIM REAR CORNER  
 MAX LENGTH: 38"  
 FLOW POINTS: 1 EACH

Reviewed For Code Compliance By:

D. Banks Wallace  
 Chief Deputy Fire Marshal  
 11/18/2020 1:30:46 PM

## I.D. APPLIANCE DESCRIPTION

- A1** 3 TIER CHAIN BROILER 34" X 54"

<b>ANSUL MANUAL #:</b>	418087-12	<b>NOTES:</b>	
<b>DRAWING #:</b>	1 OF 1	<b>DATE:</b>	11/5/2020
<b>SCALE:</b>	NTS	<b>DRAWN BY:</b>	JCA

<b>PROJECT NAME &amp; ADDRESS:</b> Domino's 2800 NC 24/87 Cameron, NC 28326
--

--

<b>ALL AMERICAN FIRE PROTECTION</b> 159 S Main St, Spring Lake, NC 28390 Phone: 910-496-0600 Fax: 910-496-0613
---