

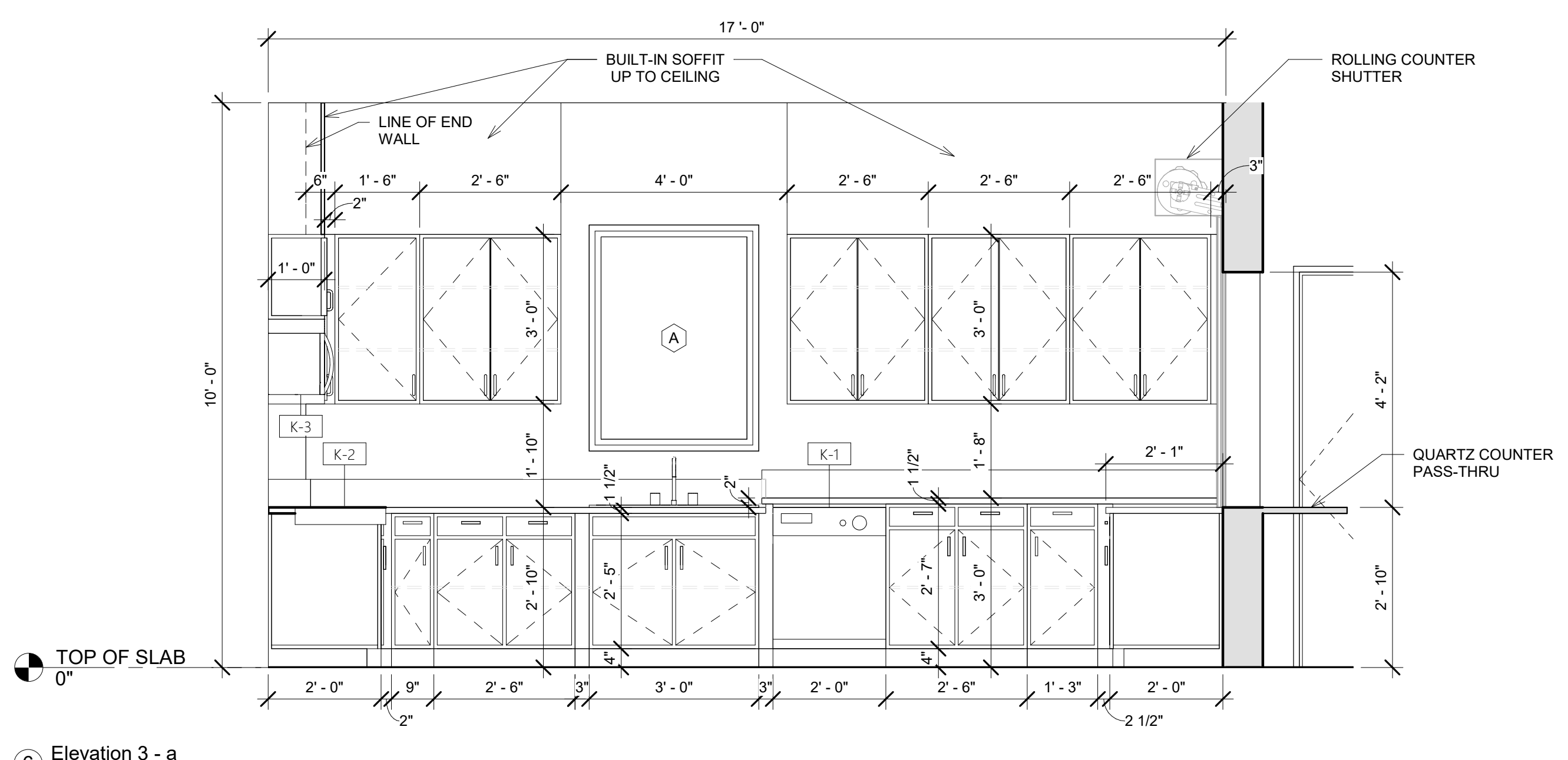
REVISIONS	

**NEILL'S CREEK BAPTIST CHURCH
FELLOWSHIP HALL
ANGIER, NORTH CAROLINA**

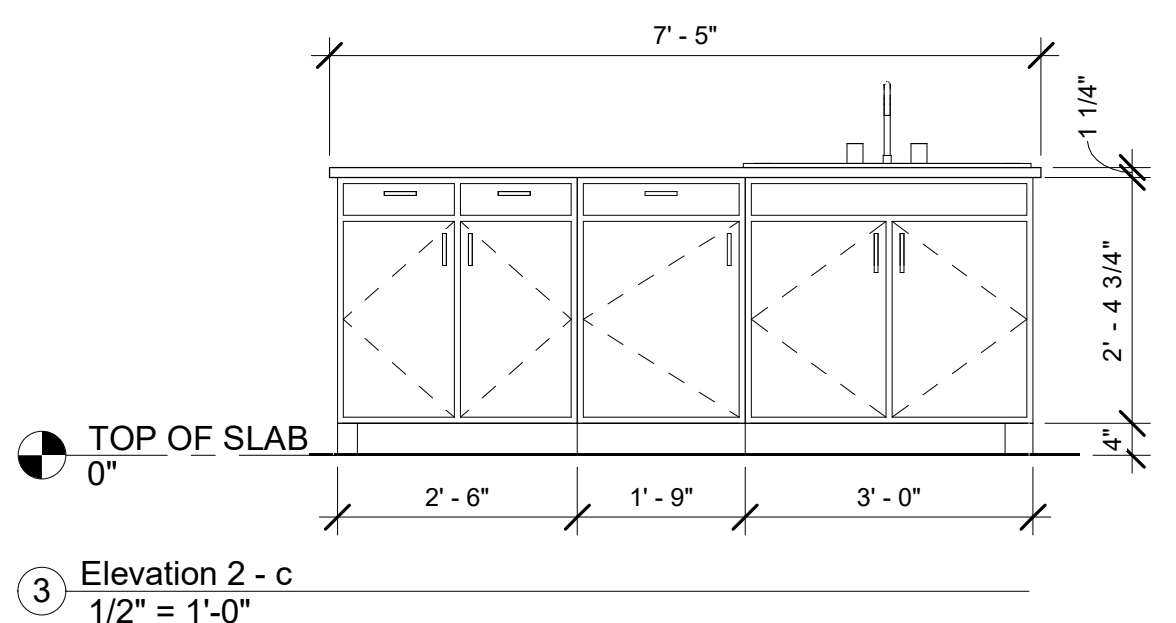
919-550-7717
TONY@TONYJOHNSONARCHITECT.COM
104 N. LOMBARD ST.
CLAYTON, NC 27520
TONYJOHNSONARCHITECT.COM



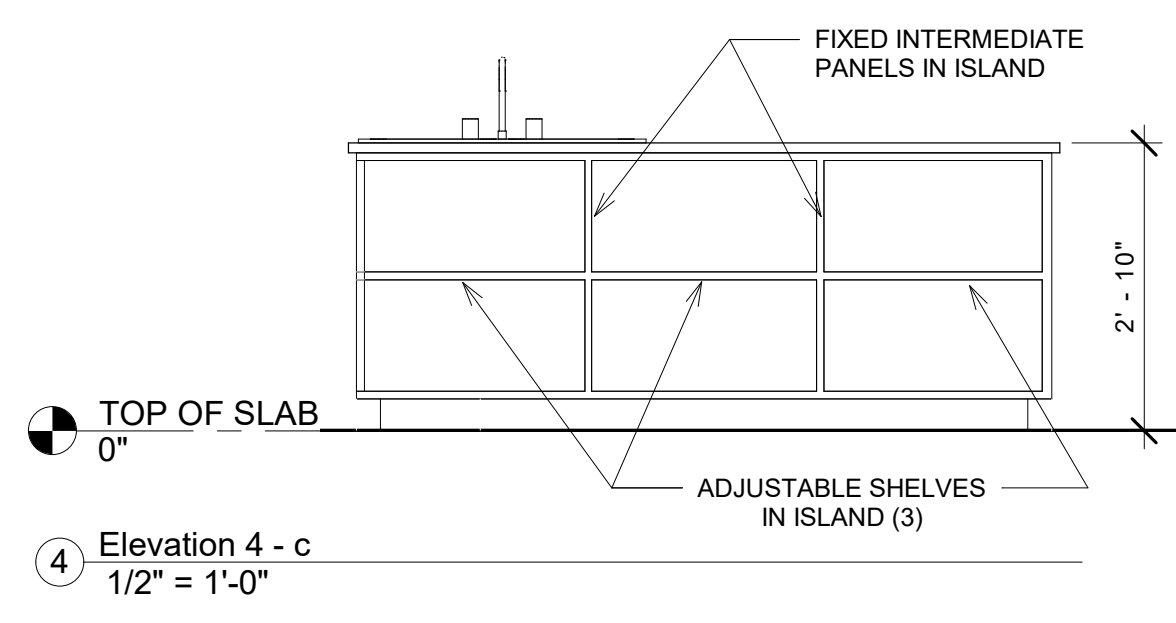
DATE	02-06-2020
SHEET	A-7



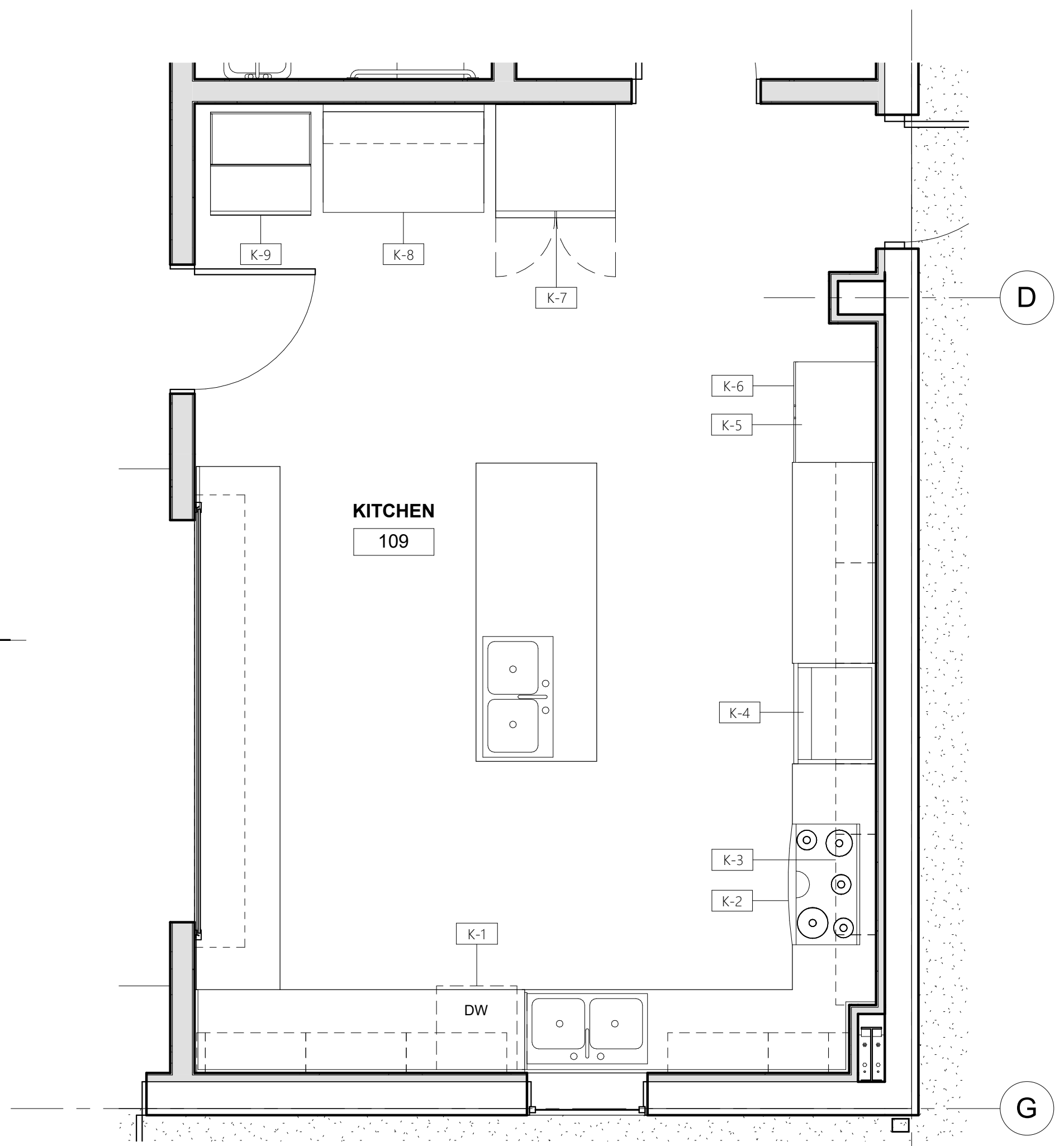
6 Elevation 3 - a
1/2" = 1'-0"



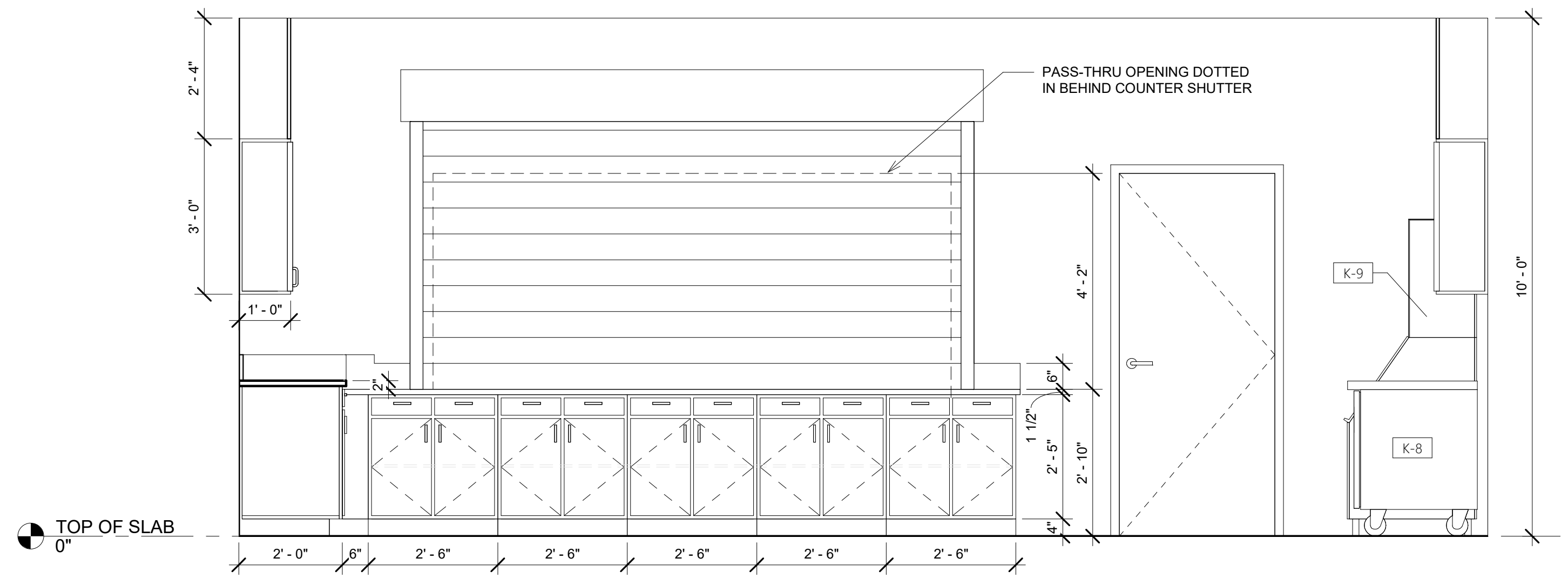
3 TOP OF SLAB
0"
Elevation 2 - c
1/2" = 1'-0"



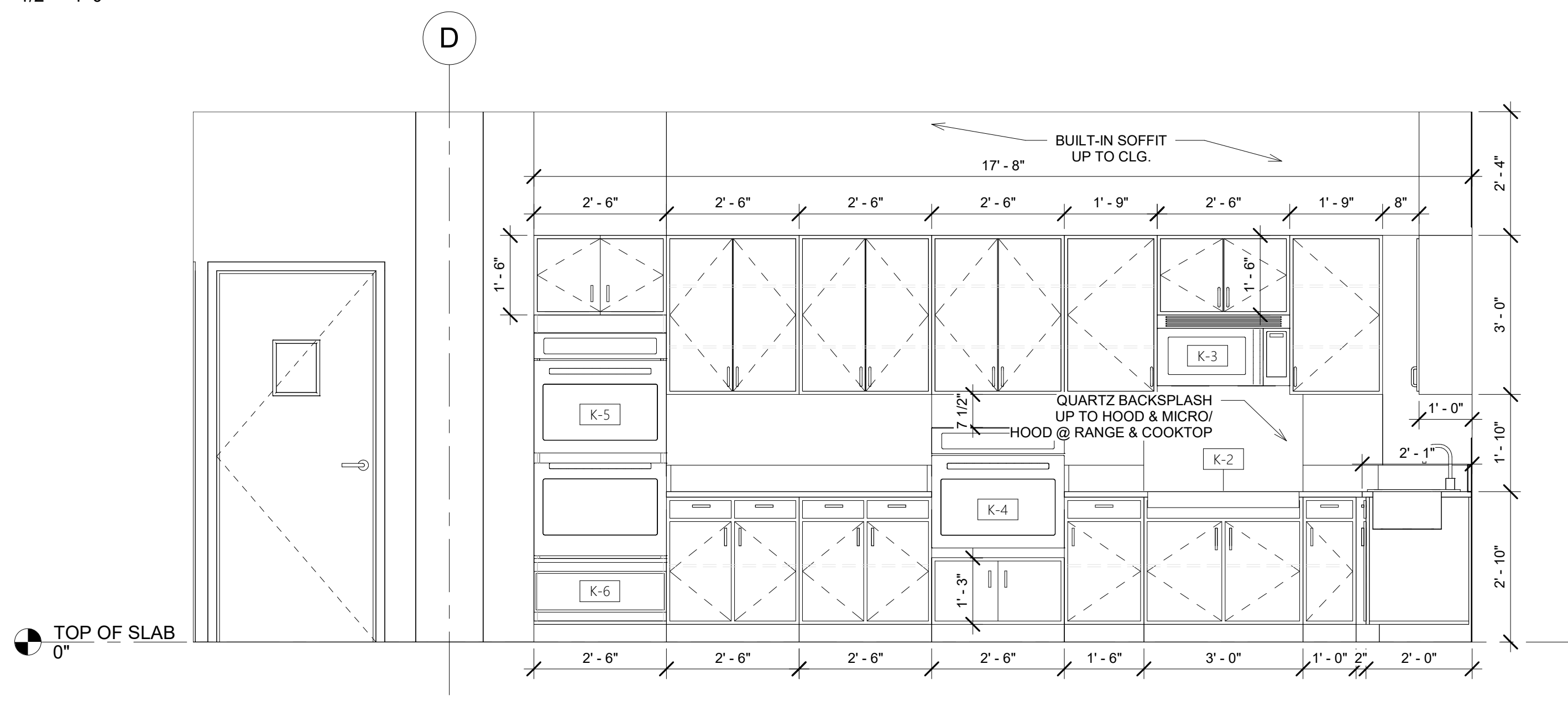
4 TOP OF SLAB
0"
Elevation 4 - c
1/2" = 1'-0"



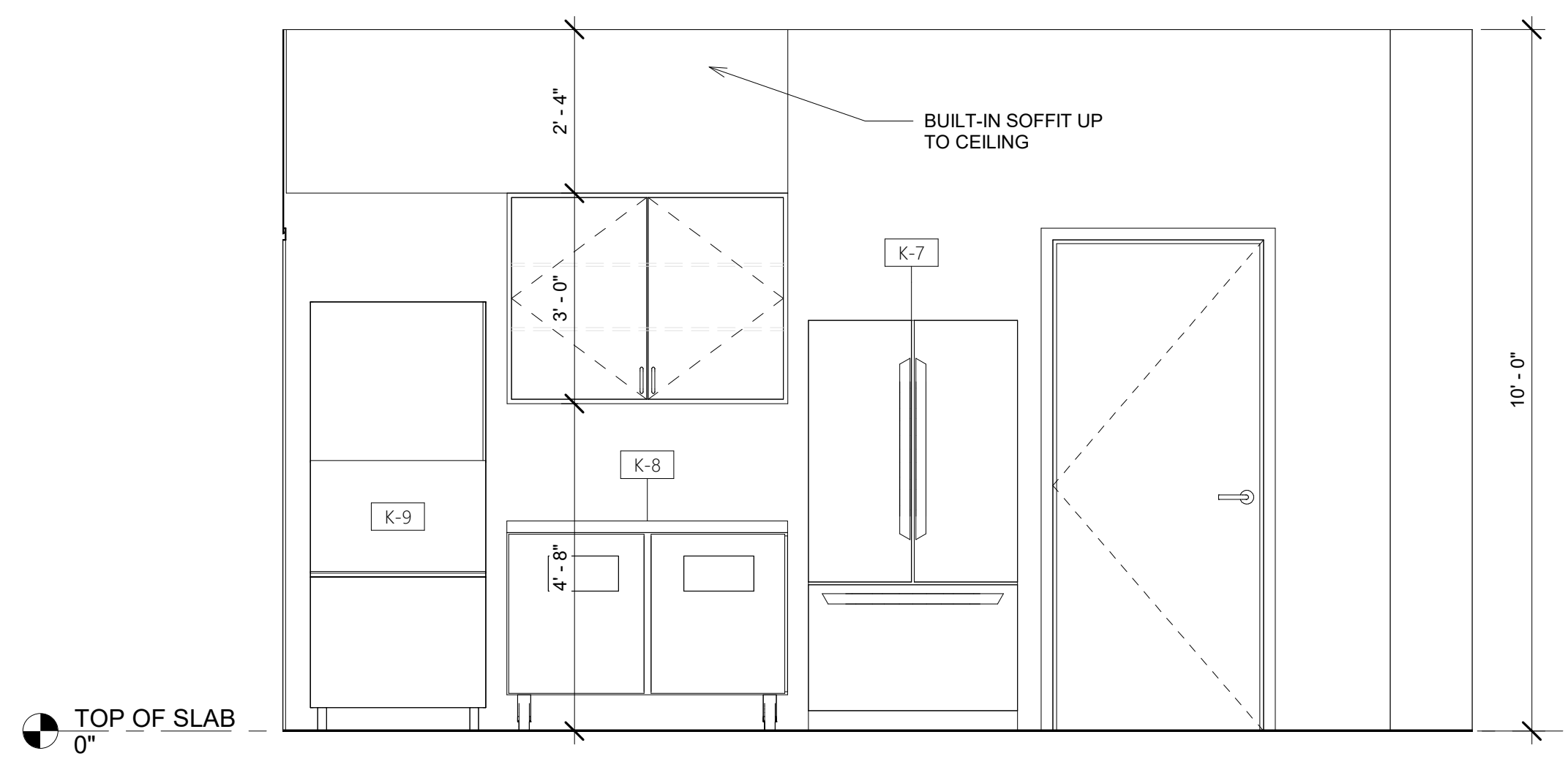
1 KITCHEN EQUIPMENT PLAN
3/8" = 1'-0"



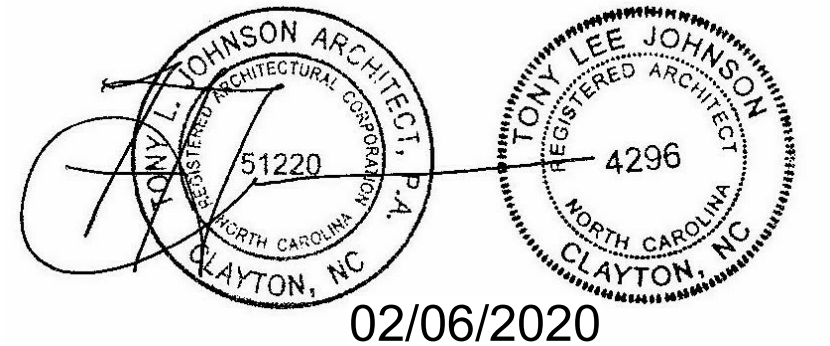
2 Elevation 2 - a
1/2" = 1'-0"



5 Elevation 4 - a
1/2" = 1'-0"



7 Elevation 5 - a
1/2" = 1'-0"



02/06/2020