

SYMBOL INFORMATION	
	ELEVATION NUMBER
	SHEET NUMBER
	EXTERIOR ELEVATION MARKER
	SECTION NUMBER
	SECTION MARKER
	DETAIL NUMBER
	PLAN DETAIL MARKER
	SECTION DETAIL MARKER
	INTERIOR ELEVATION MARKER
	ROOM/AREA
	ROOM MARKER
	KEY NOTE REFERENCE
	COLUMN CENTER LINE
	FINISH TYPE MARKER
	DOOR TAG
	WINDOW TYPE

PROJECT TEAM DIRECTORY	
<b>OWNER:</b>	BODDIE-NOELL ENTERPRISES, INC.
<b>COMPANY NAME</b>	BODDIE-NOELL ENTERPRISES, INC.
<b>CONTACT NAME</b>	REGGIE BARNACASEL
<b>CONTACT INFORMATION</b>	1021 NOELL LANE ROCKY MOUNT, NC 27802 PH: (252) 937-2800 FAX: (252) 937-4909
<b>ARCHITECT:</b>	NATIONAL RESTAURANT DESIGNERS
<b>COMPANY NAME</b>	TAMMY DAVIS
<b>CONTACT NAME</b>	13698
<b>CONTACT INFORMATION</b>	3005 CARRINGTON MILL BLVD SUITE 150 MORRISVILLE, NC 27560 PH: (919) 544-0087 FAX: (919) 544-9399
<b>CIVIL ENGINEER:</b>	STOCKS ENGINEERING
<b>COMPANY NAME</b>	J. MICHAEL STOCKS
<b>CONTACT NAME</b>	13643
<b>CONTACT INFORMATION</b>	801 EAST WASHINGTON STREET NASHVILLE, NC 27856 PH: (252) 459-8196
<b>STRUCTURAL ENGINEER:</b>	BRITT, PETERS & ASSOCIATES, INC
<b>COMPANY NAME</b>	BRET UNDERWOOD
<b>CONTACT NAME</b>	037779
<b>CONTACT INFORMATION</b>	999 WATERSIDE DRIVE, SUITE 2202 NORFOLK, VA 23510 PH: (757) 793-0645
<b>MECHANICAL ENGINEER:</b>	NATIONAL RESTAURANT DESIGNERS
<b>COMPANY NAME</b>	M. JOSEPH MORGAN
<b>CONTACT NAME</b>	40760
<b>CONTACT INFORMATION</b>	3005 CARRINGTON MILL BLVD SUITE 150 MORRISVILLE, NC 27560 PH: (919) 544-0087 FAX: (919) 544-9399
<b>ELECTRICAL ENGINEER:</b>	NATIONAL RESTAURANT DESIGNERS
<b>COMPANY NAME</b>	RAY THORNTON
<b>CONTACT NAME</b>	17561
<b>CONTACT INFORMATION</b>	3005 CARRINGTON MILL BLVD SUITE 150 MORRISVILLE, NC 27560 PH: (919) 544-0087 FAX: (919) 544-9399
<b>PLUMBING ENGINEER:</b>	NATIONAL RESTAURANT DESIGNERS
<b>COMPANY NAME</b>	SHAWN D. SLYTER
<b>CONTACT NAME</b>	32078
<b>CONTACT INFORMATION</b>	3005 CARRINGTON MILL BLVD SUITE 150 MORRISVILLE, NC 27560 PH: (919) 544-0087 FAX: (919) 544-9399



### BNE WOOD PROTOTYPE STANDARD

NC HWY 87 & BUFFALO RD.  
CAMERON, NC 28326

### ABBREVIATIONS

Ø	DIAMETER	JT.	JOINT
□	SQUARE FOOT/FEET	LAM.	LAMINATED
CL	CENTERLINE	LAV.	LAVATORY
#	ROUND OR NUMBER	LT.	LIGHT
(E)	EXISTING	MAX.	MAXIMUM
(N)	NEW	M.B.	MACHINE BOLT
A.B.	ANCHOR BOLT	MECH.	MECHANICAL
A.C.	AIR CONDITIONING	MET.	METAL
ACOUS.	ACOUSTICAL	MFR.	MANUFACTURER
AF.	ABOVE FINISH FLOOR	M.H.	MANHOLE
ALUM.	ALUMINUM	MIN.	MINIMUM
APPROX.	APPROXIMATE	MISC.	MISCELLANEOUS
ARCH.	ARCHITECTURAL	M.O.	MASONRY OPENING
A.S.R.	AUTOMATIC SPRINKLER SYSTEM	MTD.	MOUNTED
		MUL.	MULLION
BD.	BOARD	N.	NORTH
BLDG.	BUILDING	N.I.C.	NOT IN CONTRACT
BLK.	BLOCK	NO.	NUMBER
BLKG.	BLOCKING	NOM.	NOMINAL
		N.T.S.	NOT TO SCALE
CJ.	CEILING JOIST	O.A.	OVERALL
CLG.	CEILING	O.C.	ON CENTER
CLR.	CLEAR	O.D.	OUTSIDE DIAMETER
C.M.	CONSTRUCTION MANAGER	OPD.	OVERFLOW DRAIN
C.M.U.	CONCRETE MASONRY UNIT	OPN.	OPENING
		OPP.	OPPOSITE
CO	CLEANOUT	PARTN.	PARTITION
CONC.	CONCRETE	P.L.	PROPERTY LINE
CONN.	CONNECTION	PLAS.	PLASTER
CONSTR.	CONSTRUCTION	PLBS.	PLUMBING
CONT.	CONTINUOUS	PLYWD.	PLYWOOD
CONTR.	CONTRACTOR	P.T.	PRESSURE TREATED
DBL.	DOUBLE	Q.T.	QUARRY TILE
DEPT.	DEPARTMENT	R.	RISER
DET.	DETAIL	RAD.	RADIUS
D.F.	DRINKING FOUNTAIN	R.D.	ROOF DRAIN
DIA.	DIAMETER	REF.	REFERENCE
DIM.	DIMENSION	REFR.	REFRIGERATOR
DS.	DOWN SPOUT	REINF.	REINFORCED
DWG.	DRAWING	REQD.	REQUIRED
		RESIL.	RESILIENT
E	EAST	RM.	ROOM
EA.	EACH	R.O.	ROUGH OPENING
ELEC.	ELECTRICAL	R.O.W.	RIGHT OF WAY
EL.	ELEVATION	S.	SOUTH
E.P.	ELECTRICAL PANEL	S.A.N.	SCALE AS NOTED
EQ	EQUAL	S.A.T.	SUSPENDED
EQUIP.	EQUIPMENT	S.C.	SOLID CORE
E.W.	EACH WAY	SCHED.	SCHEDULE
EXIS.	EXISTING	SECT.	SECTION
EXT.	EXTERIOR	SHT.	SHEET
		SHTG.	SHEATHING
F.F.	FINISH FLOOR	SIM.	SIMILAR
FIN.	FINISH	SPEC.	SPECIFICATION
FKT.	FIXTURE	SQ.	SQUARE
FL.	FLOOR	SK.	SERVICE SINK
FL.	FLOOR	SS.	STAINLESS STEEL
FLUOR.	FLUORESCENT	STD.	STANDARD
F.H.	FIRE HYDRANT	STL.	STEEL
F.O.F.	FACE OF FINISH	STOR.	STORAGE
F.O.M.	FACE OF MASONRY	STR.	STRUCTURAL
F.O.S.	FACE OF STUD	SYMM.	SYMMETRICAL
F.S.R.	FLOOR SINK	T.	TREAD
F.S.R.	FIRE SPRINKLER RISER	T.B.	TOP OF BEAM
FT.	FOOT/FEET	TEL.	TELEPHONE
FTG.	FOOTING	T&G.	TONGUE AND GROOVE
FUT.	FUTURE	THK.	THICKNESS
GA.	Gauge	T.O.P.	TOP OF CURB
GALV.	GALVANIZED	T.O.P.	TOP OF PARAPET
G.C.	GENERAL CONTRACTOR	T.O.S.	TOP OF SHEATHING
		T.O.W.	TOP OF WALL
G.I.	GALVANIZED IRON	TYP.	TYPICAL
GL.	GLASS	U.B.C.	UNIFORM BUILDING CODE
GLD.	GROUND	U.O.N.	UNLESS OTHERWISE NOTED
GR.	GRADE	V.B.	VINYL BASE
GYP.	GYPSPUM	VERT.	VERTICAL
HDR.	HEADER	V.C.T.	VINYL COMPOSITION TILE
HDW.	HARDWARE	V.T.R.	VENT THROUGH ROOF
HT.	HEIGHT	W.	WEST
H.M.	HOLLOW METAL	W.C.	WITH WATER CLOSET
HOR.	HORIZONTAL	WD.	WOOD
HDWD.	HARDWOOD	W.H.	WITH WATER HEATER
HVAC.	HEATING, VENTILATION AND AIR CONDITIONING	W/O.	WITHOUT
		W.R.	WATER RESISTANT
I.D.	INSIDE DIAMETER		
IN.	INCH		
INSUL.	INSULATION		
INT.	INTERIOR		

### ENERGY CODE SUMMARY

REFER TO DRAWING T3 FOR APPENDIX B

### BUILDING CODE SUMMARY

REFER TO DRAWING T3 FOR APPENDIX B

**NOTICE TO CONTRACTOR**  
All construction must comply with current NC Building Codes and is subject to field inspection and verification.

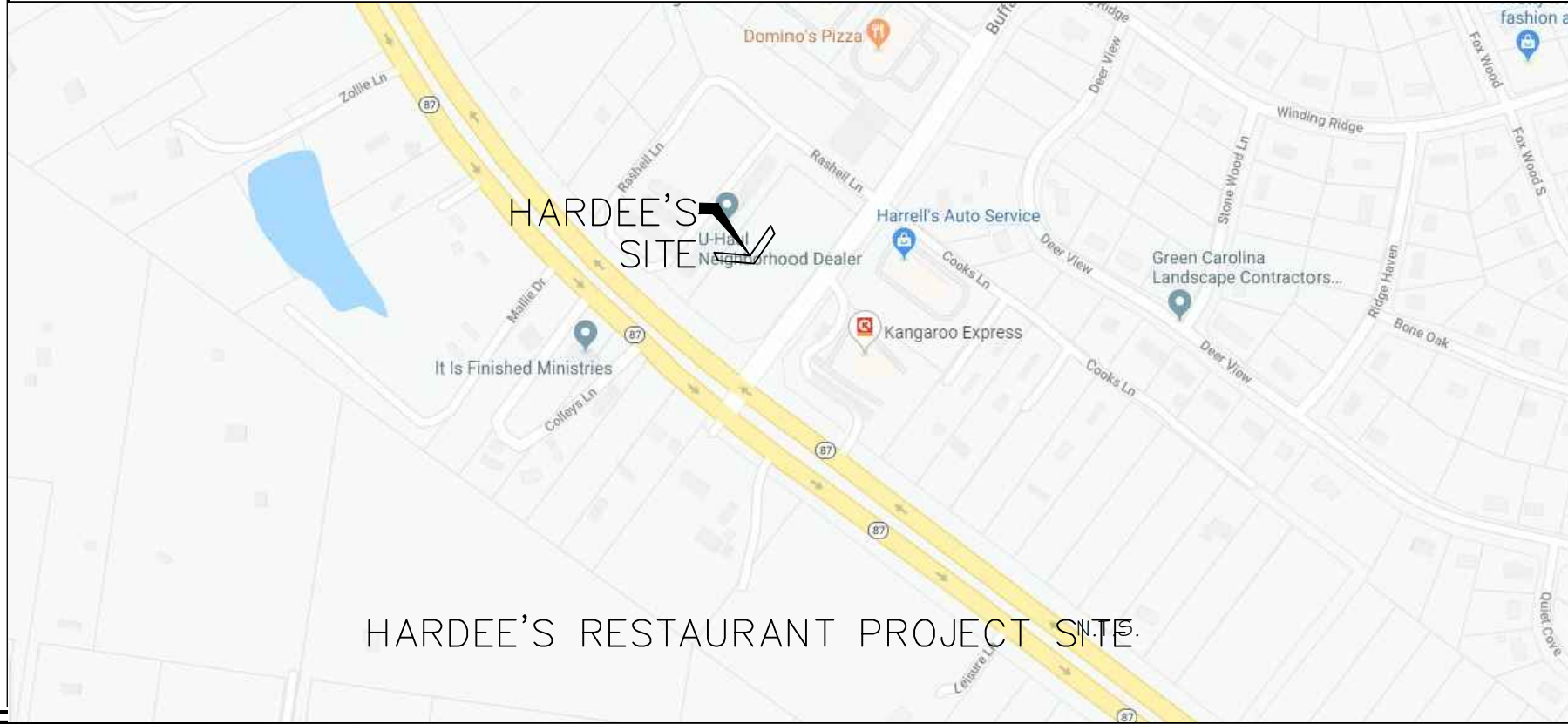
**APPROVED**  
Limited building only review  
Permit holder responsible for full compliance with the code

10/06/2020

### Revisions

2

### VICINITY MAP



### SHEET INDEX

TITLE	REVISION
T-1	TITLE SHEET
T-2	OCCUPANCY PLAN AND LIFE SAFETY PLANS
T-3	APPENDIX 'B'
T-4	ADDENDUM LIST
<b>CIVIL</b>	
COVER	CIVIL COVER SHEET
CE-01	EXISTING CONDITIONS AND DEMOLITION PLAN
CE-02	ROAD WIDENING PLAN
CE-03	SITE PLAN
CE-04	UTILITY PLAN
CE-05	GRADING AND DRAINAGE PLAN
CE-06	LANDSCAPE PLAN
CE-07	EROSION CONTROL
CE-08	EROSION CONTROL DETAILS
CE-09	EROSION CONTROL DETAILS
CE-10	LIGHTING PLAN
CE-11	STORMWATER WETLAND DETAILS
CE-12	SITE NOTES AND DETAILS
CE-13	UTILITY NOTES AND DETAILS
CE-14	NCG01 NOTES SHEET
CE-15	NCG01 NOTES SHEET
CE-16	NCG01 NOTES SHEET
D-01	RUNOFF MAP
<b>STRUCTURAL</b>	
S-1	FOUNDATION PLAN
S-2	ROOF FRAMING PLAN
S-3	FOUNDATION DETAILS
S-4	FRAMING DETAILS
S-5	FRAMING DETAILS
S-6	STRUCTURAL DETAILS & FRAMING ELEVATIONS
S-7	GENERAL STRUCTURAL NOTES
<b>ARCHITECTURAL</b>	
A-1.0	CONSTRUCTION PLAN/DETAILS
A-1.1	FINISHES PLAN, INTER. FIN. SCHED. & DOOR/WINDOWS SCHED.
A-2.0	REFLECTED CEILING PLAN
A-3.0	ROOF PLAN/DETAILS
A-4.0	EXTERIOR ELEVATIONS/EXTERIOR FINISHES SCHEDULE
A-4.1	EXTERIOR ELEVATIONS/EXTERIOR FINISHES SCHEDULE
A-4.2	LINE OF SIGHT
A-4.5	INTERIOR ELEVATIONS/SECTIONS
A-5.1	INTERIOR ELEVATIONS/SECTIONS
A-5.2	INTERIOR ELEVATIONS
A-6.0	WALL SECTIONS
A-6.1	WALL SECTIONS
A-6.2	WALL SECTIONS/DETAILS
A-7.0	ENLARGED RESTROOM PLAN & DETAILS
A-7.1	RESTROOM ELEVATIONS & DETAILS
A-8.0	MISCELLANEOUS DETAILS
A-8.1	DRIVE-THRU DETAILS
A-8.1.1	DRIVE-THRU DETAILS
A-8.2	DUMPSTER ENCLOSURE & ROOF LADDER DETAILS
A-8.3	SHED ENCLOSURE
REF-1, REF-2 & REF-3	E.I.F.S. MANUFACTURER'S DTLS. (FOR REF.)
<b>KITCHEN EQUIPMENT (FOR REFERENCE)</b>	
QF001	FOOD SERVICE GENERAL NOTES, SHEET INDEX
QF101	FOOD SERVICE EQUIPMENT PLAN
QF201	FOOD SERVICE IN SLAB PLUMBING ROUGH-IN PLAN
QF202	FOOD SERVICE ABOVE SLAB PLUMBING ROUGH-IN PLAN
QF301	FOOD SERVICE ELECTRICAL ROUGH-IN PLAN
QF401	FOOD SERVICE SPECIAL CONDITIONS PLAN
QF601	FOOD SERVICE ELEVATIONS
QF602	FOOD SERVICE ELEVATIONS
QF701	MANUFACTURER HOOD DRAWING
QF702	MANUFACTURER HOOD DRAWING
QF703	MANUFACTURER WALK-IN COOLER DRAWING
<b>PLUMBING</b>	
P-1	PLUMBING WASTE AND VENT PLAN
P-2	PLUMBING WATER PLAN
P-3	PLUMBING ISOMETRIC & DETAILS
P-4	PLUMBING ROOF PLAN & DETAILS
<b>MECHANICAL</b>	
M-1	HVAC PLAN
M-2	MECHANICAL DETAILS
<b>ELECTRICAL</b>	
E-1	ELECTRICAL POWER PLAN
E-1.1	C/R SYSTEM PLAN
E-2	LIGHTING PLAN
E-3	SCHEDULE/ELECTRICAL DISTRIBUTION
E-4	ROOF POWER PLAN
E-5	ELECTRICAL SITE LIGHTING PLAN
E-6	RISER DIAGRAM AND OFFICE ELEVATIONS
E-7	VOLTAGE DROP CALCULATION

NRD Project # 19187

3005 CARRINGTON MILL BLVD., SUITE 150  
MORRISVILLE, NORTH CAROLINA 27560  
PH: 919 544 7251 FAX: 919 544 9399  
Division of LMHT Associates

LMHT ENGINEER LICENSE  
NUMBER - C-1369

HARDEE'S STANDARD PROTOTYPE  
NC HWY 87 & BUFFALO RD.  
CAMERON, NC 28326

**OWNER:**  
BODDIE-NOELL ENTERPRISES, INC.  
P.O. BOX 1008  
ROCKY MOUNT, NC 27802-1008  
(252) 937-2800

NO.	DESCRIPTION	DATE
1	CITY COMMENTS	3/13/20
2	HVAC UPDATES	5/6/20
3	BONE IN. CHANGES	9/24/20

DRAWN BY: \_\_\_\_\_ CHECKED BY: \_\_\_\_\_

**TITLE SHEET**

DATE: 01-31-2020

SHEET NUMBER: **T-1**



NO.	DATE	DESCRIPTION
1	9/24/20	BONE IN CHECKEN

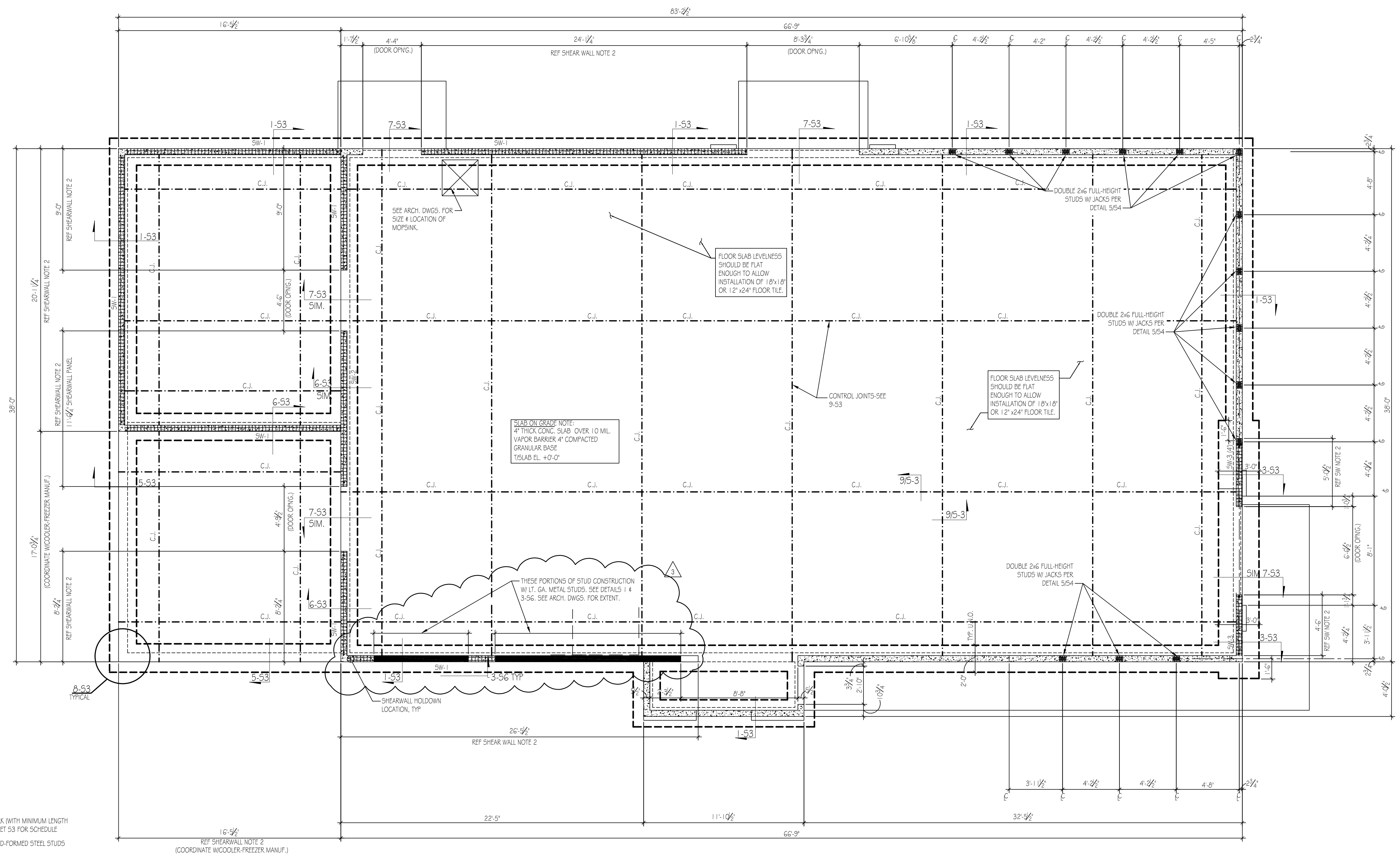
DRAWN BY	CHECKED BY
EA	SH

FOUNDATION PLAN

DATE: 12-17-2019

SHEET NUMBER:

**S1**



**FOUNDATION PLAN**

- SEE SHEET S7 FOR GENERAL STRUCTURAL NOTES.
- SHEARWALLS AND SHEARWALL HOLD DOWN ANCHORS ARE PER 10-S3.
- CONCRETE FLOOR SLAB UNDER W.I.C.W.I.F. BOX SHALL BE LEVEL. COORD. REQUIRED FLATNESS/LEVELNESS W/ BOX MFR.
- ANCHOR BOLTS NOT SHOWN ON THIS PLAN SHALL BE INSTALLED PER THE SECTIONS.
- DIMENSIONS NOTED ARE TO FACE OF CONCRETE.
- USE THIS PLAN WITH SECTIONS 1 THRU 10 ON S3.
- TOP OF FOOTING 1'-0" BELOW T/SLAB U.N.O.
- REF. 12 THRU 14/54 FOR TYP. HOLD DOWN ANCHOR DTL5. IN THE WALL.

**FOUNDATION PLAN NOTES**

2

SCALE: 1/4" = 1'-0"



REVISIONS

NO.	DATE	DESCRIPTION
1	3/6/20	CITY COMMENTS
2	9/2/20	BONE IN CHICKEN

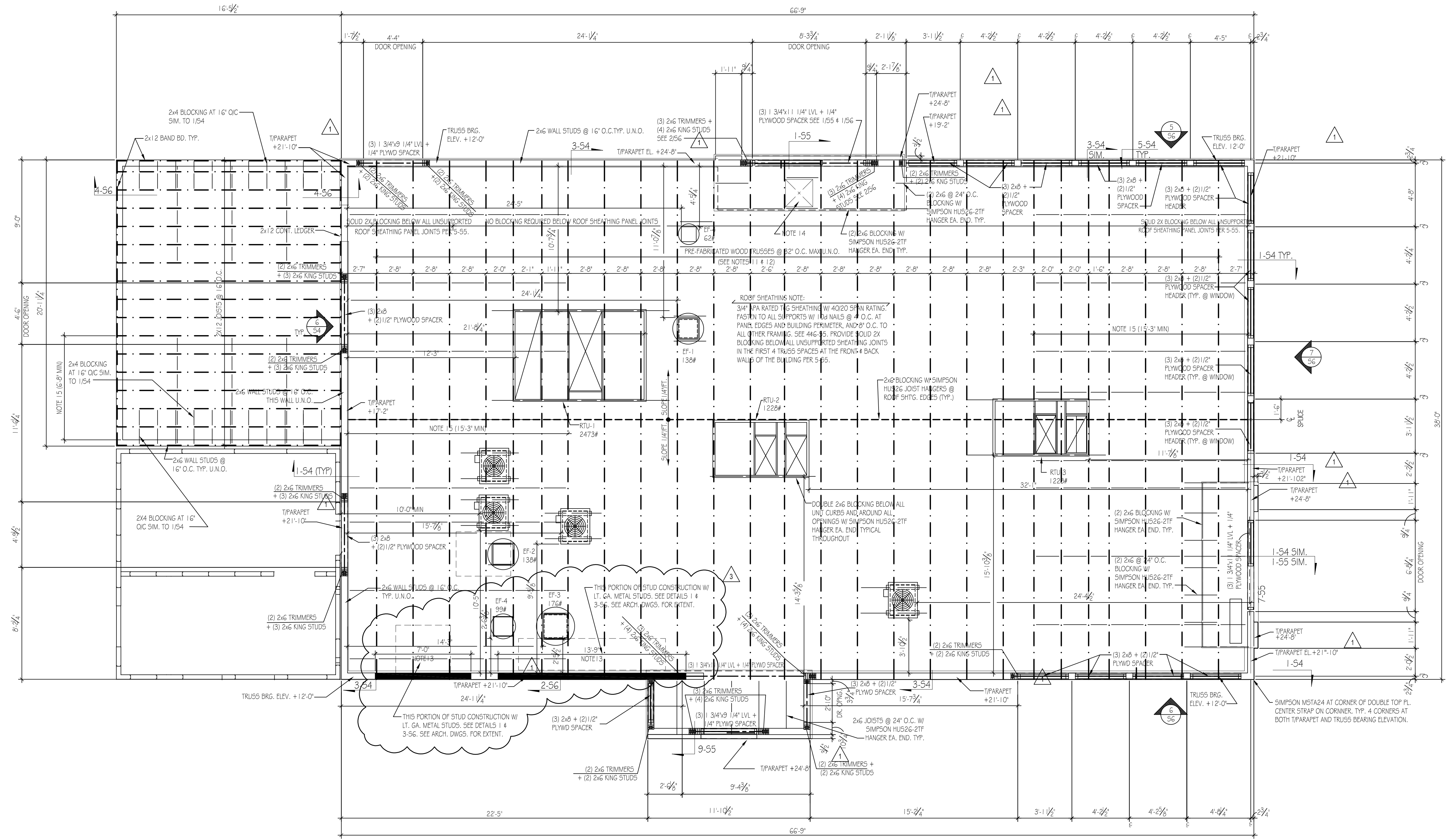
DRAWN BY: ES CHECKED BY: SH

ROOF FRAMING PLAN

DATE: 12-17-2019

SHEET NUMBER: S2

WALL STUD SIZE AND SPACING INDICATED DOES NOT INCLUDE BRICK / MASONRY CLADDING

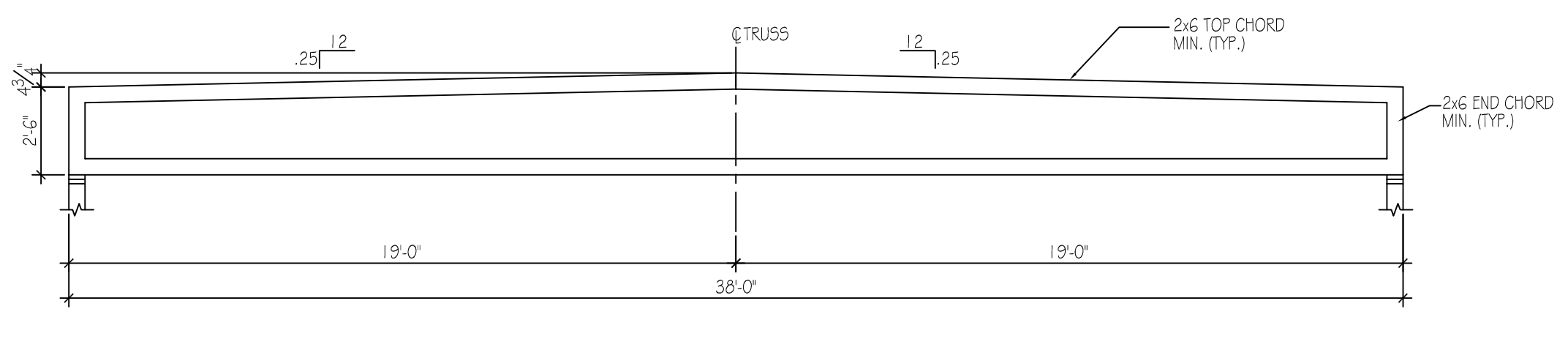


ROOF SHEATHING NOTE:  
 3/4" APA RATED 5/8" SHEATHING W/ 4020 SFAN RATING FASTEN TO ALL SUPPORTS W/ 16D NAILS @ 4" O.C. AT PANEL EDGES AND BUILDING PERIMETER AND 9" O.C. TO ALL OTHER FRAMING. SEE 446-85 PROVIDE SOLID 2X BLOCKING BELOW ALL UNSUPPORTED SHEATHING JOINTS IN THE FIRST 4 TRUSS SPACES AT THE FRONT & BACK WALLS OF THE BUILDING PER 5.65.

**G.C. SHALL SUBMIT ENGINEER SHOP DWGS. FOR APPROVAL PRIOR TO ANY CONSTRUCTION.**

**ROOF NOT DESIGNED FOR PONDING. SEE ARCHITECTURAL DRAWINGS FOR DRAIN REQR'MNTS.**

**EXTREME CARE SHALL BE USED IN ERECTING ROOF TRUSSES -**



ROOF FRAMING PLAN

- SEE SHEET S7 FOR GENERAL STRUCTURAL NOTES.
- DIMENSIONS ARE TO OUTSIDE FACE OF STUD FRAMING (TYP.)
- SEE FOUNDATION PLAN FOR SHEARWALL LAYOUT AND DETAILS ON 10/53
- WALL SHEATHING TO BE 1/2" SHEATHING W/ 32/16 SFAN RATING. NAIL SHEATHING TO ALL FRAMING W/ 10d NAILS @ 6" O.C. U.N.O. IN SHEARWALL NOTES. ALL SHEATHING IN CONTACT WITH THE FOUNDATION WALLS SHALL BE PRESERVATIVE-TREATED MATERIAL (EXTERIOR WALL SHEATHING SHALL BE CONTINUOUS OVER THE WALL FRAMING AT ALL SHEAR WALLS)
- PROVIDE 2X BLOCKING BEHIND ALL PANEL JOINTS IN SHEARWALLS, U.N.O.
- REF. 6/54 FOR TYP. FRAMING ELEV. @ EXTERIOR OPENINGS
- REF. 7 & 8/54 FOR TYP. CONN. OF THE INT. NON-LOAD BRG. WALLS TO THE ROOF TRUSSES.
- REF. 9/54 FOR TYP. WALL TOP PLATE SPLICE
- REF. 10/54 FOR PARAPET STEP DOWN ELEV.
- REF. 11/54 FOR TYP. HEADER DETAIL

- SHOP DRAWINGS INCLUDING LAYOUT DRAWINGS, SPECIFICATIONS AND DESIGN CALCULATIONS FOR THE ROOF TRUSSES AND LAMINATED MEMBERS SHALL BE SUBMITTED FOR APPROVAL PRIOR TO ANY FABRICATION.
- NOTES:
  - SHOP DRAWINGS SHALL BE CERTIFIED BY A REGISTERED PROFESSIONAL ENGINEER. (FAXED OR REPRODUCED DOCUMENTS ARE NOT ACCEPTABLE)
  - G.C. SHALL ALLOW A MINIMUM OF (5) WORKING DAYS FOR REVIEW AND APPROVAL BY THE ARCHITECT/ENGINEER.
  - ROOF TRUSSES SHALL BE DESIGNED FOR ANY SPECIAL LOADING SUCH AS CONCENTRATED LOADS FROM HANGING PARTITIONS OR HVAC EQUIPMENT (SEE PLAN FOR LOCATION AND LOADS).
  - THIS PORTION OF WALL CONSTRUCTED W/ 5 1/2"x1 GGA x 1 5/8" WIDE G60 GALV. MTL STUDS @ 12" O.C SEE SECTIONS 1 THRU 3-56 SEE ARCH. DWGS. FOR EXTENT.
  - 2x2 ROOF HATCH REF 6/55 FOR FRAMING, REF ARCH FOR LOCATION.
  - 2x6 BLOCKING @ 5'-0" O.C MAX W/ SIMPSON LU26 AT EA END AND SIMPSON CS 20 ALONG TOP.

ROOF FRAMING PLAN NOTES

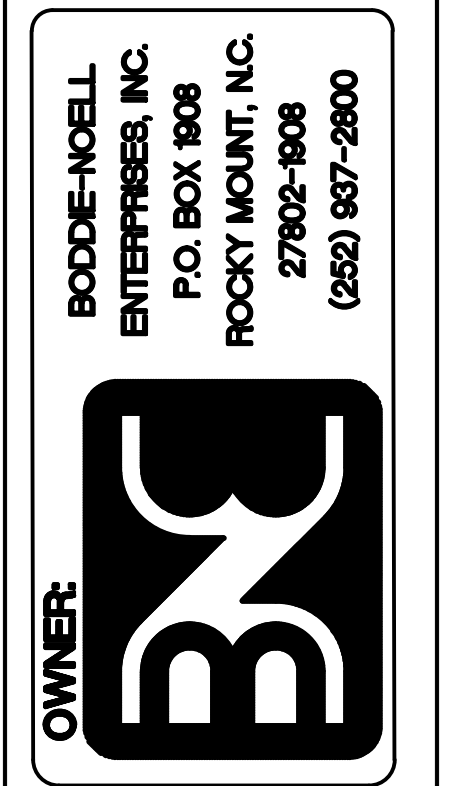
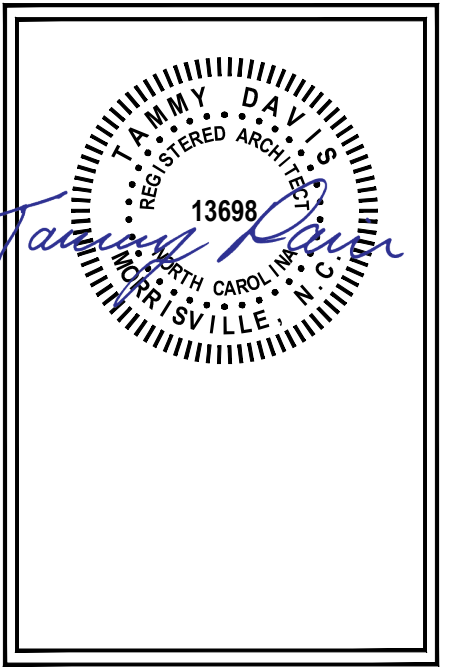
2 NOTES

3

TRUSS PROFILE

SCALE: 1/4"=1'-0" 4





NO.	DESCRIPTION	DATE
1	BONE IN CHICKEN	9/24/20

DRAWN BY: \_\_\_\_\_ CHECKED BY: \_\_\_\_\_

DATE: 01-31-2020

SHEET NUMBER: **A-1.0**

- LEGEND**
- 2x WOOD STUDS @ 16" O.C. UNLESS NOTED OTHERWISE. REF. PLAN FOR SIZES
  - 2x WOOD STUDS @ 16" O.C. TO STRUCTURE ABOVE UNLESS NOTED OTHERWISE. REF. PLAN FOR SIZES
  - 2x WOOD STUDS @ 16" O.C. TO 6" ABOVE CEILING - BRACE TO ROOF STRUCTURE @ 32" O.C.
  - 3/2" OR 5/8" x 20 GA. METAL STUDS @ 16" O.C. TO STRUCTURE ABOVE UNLESS NOTED OTHERWISE. REF. PLAN FOR SIZES
  - LOW WALL: 2x WOOD STUDS @ 16" O.C. REFER TO PLAN FOR HEIGHT OF LOW WALL.
  - BULKHEAD ABOVE. REF. REFLECTED CEILING PLAN FOR HEIGHTS.

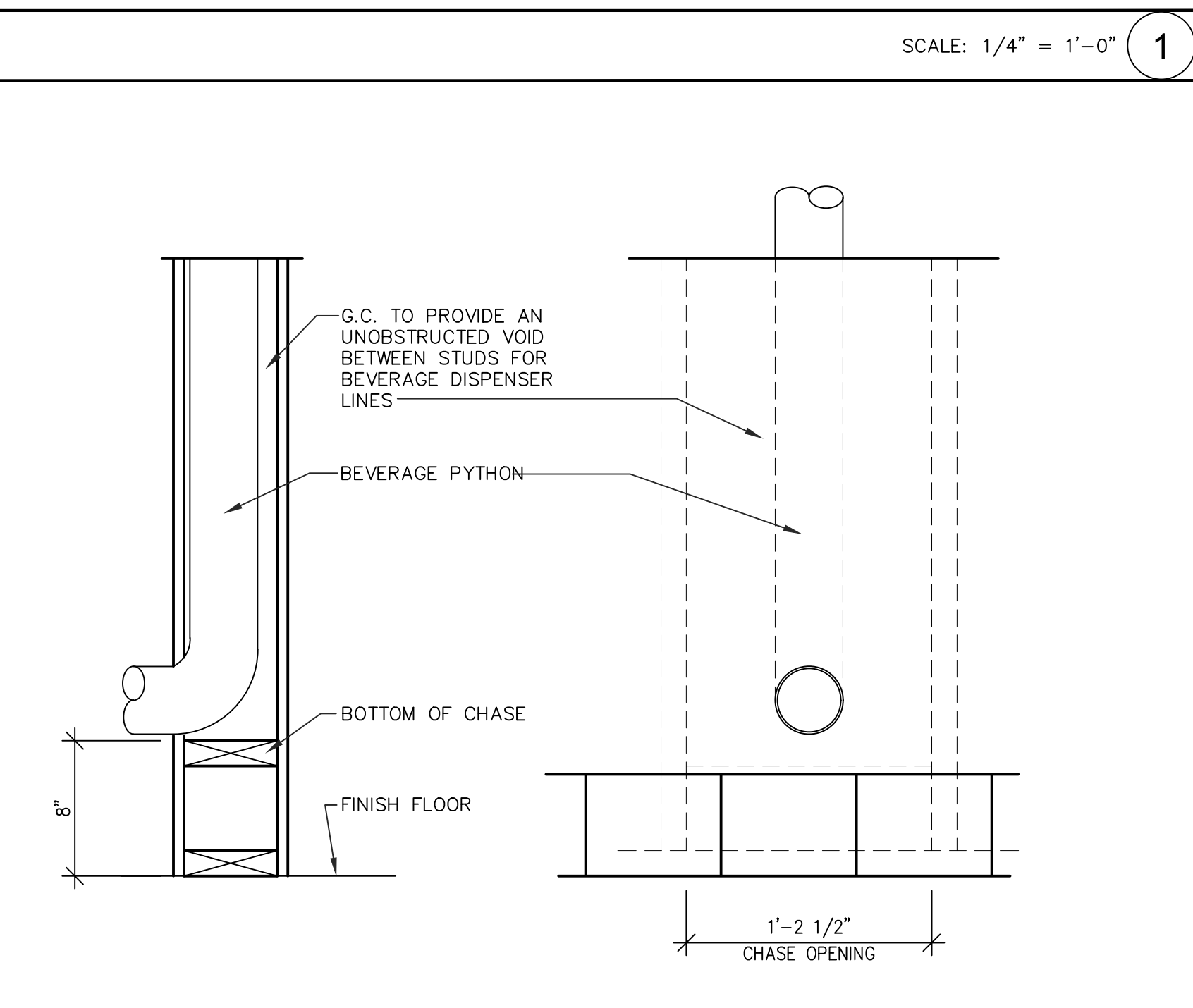
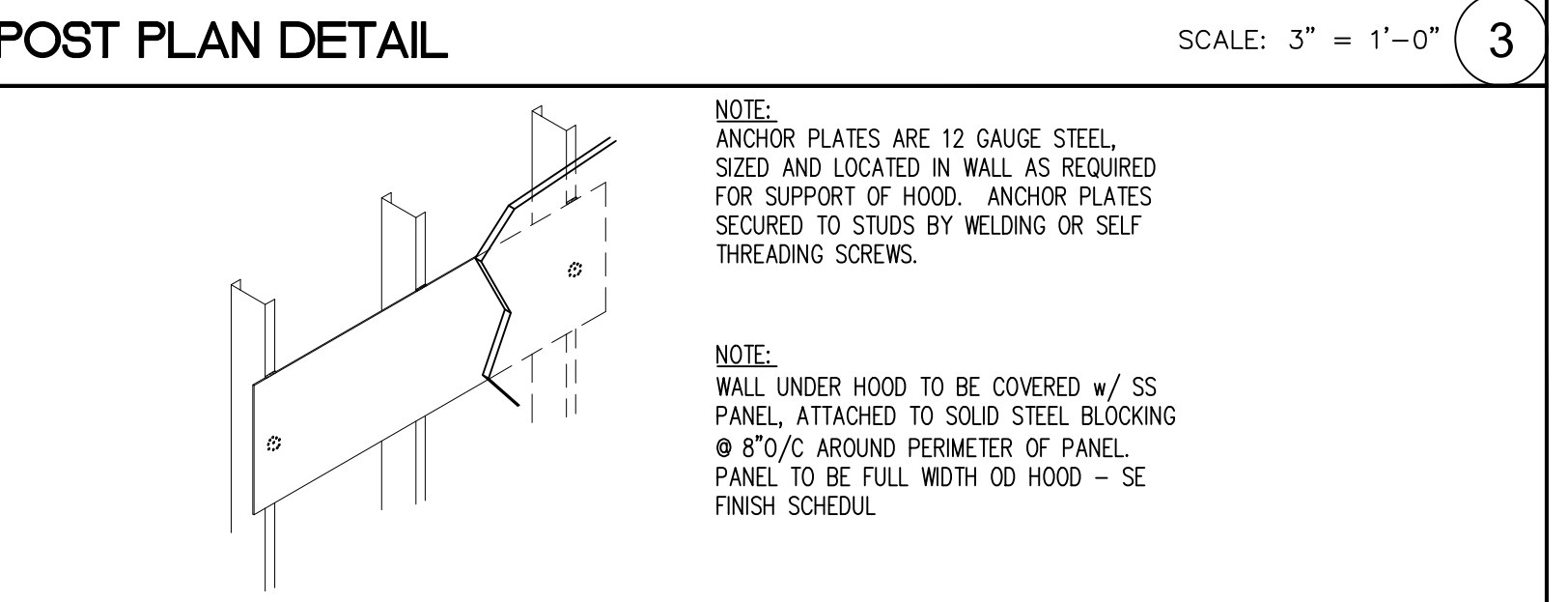
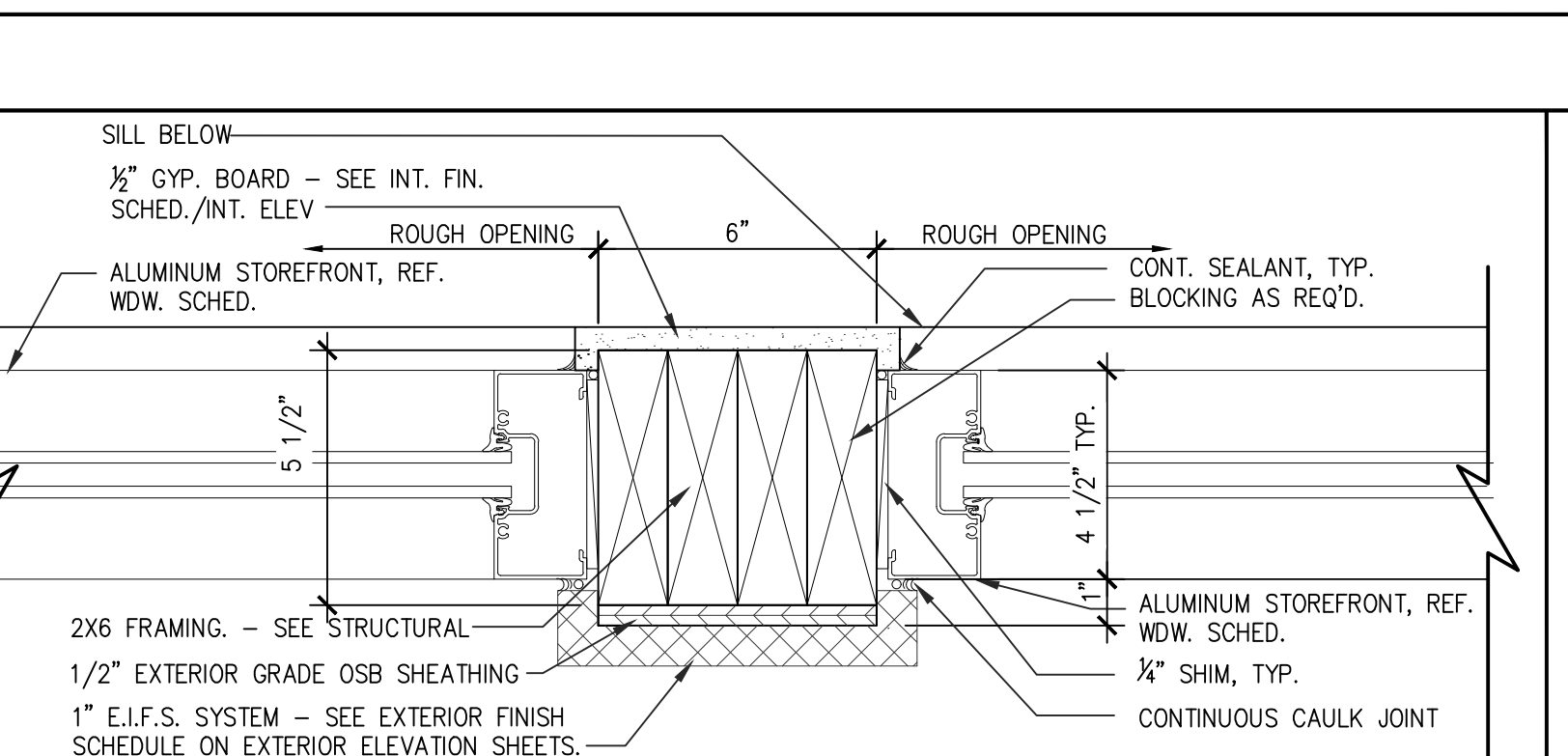
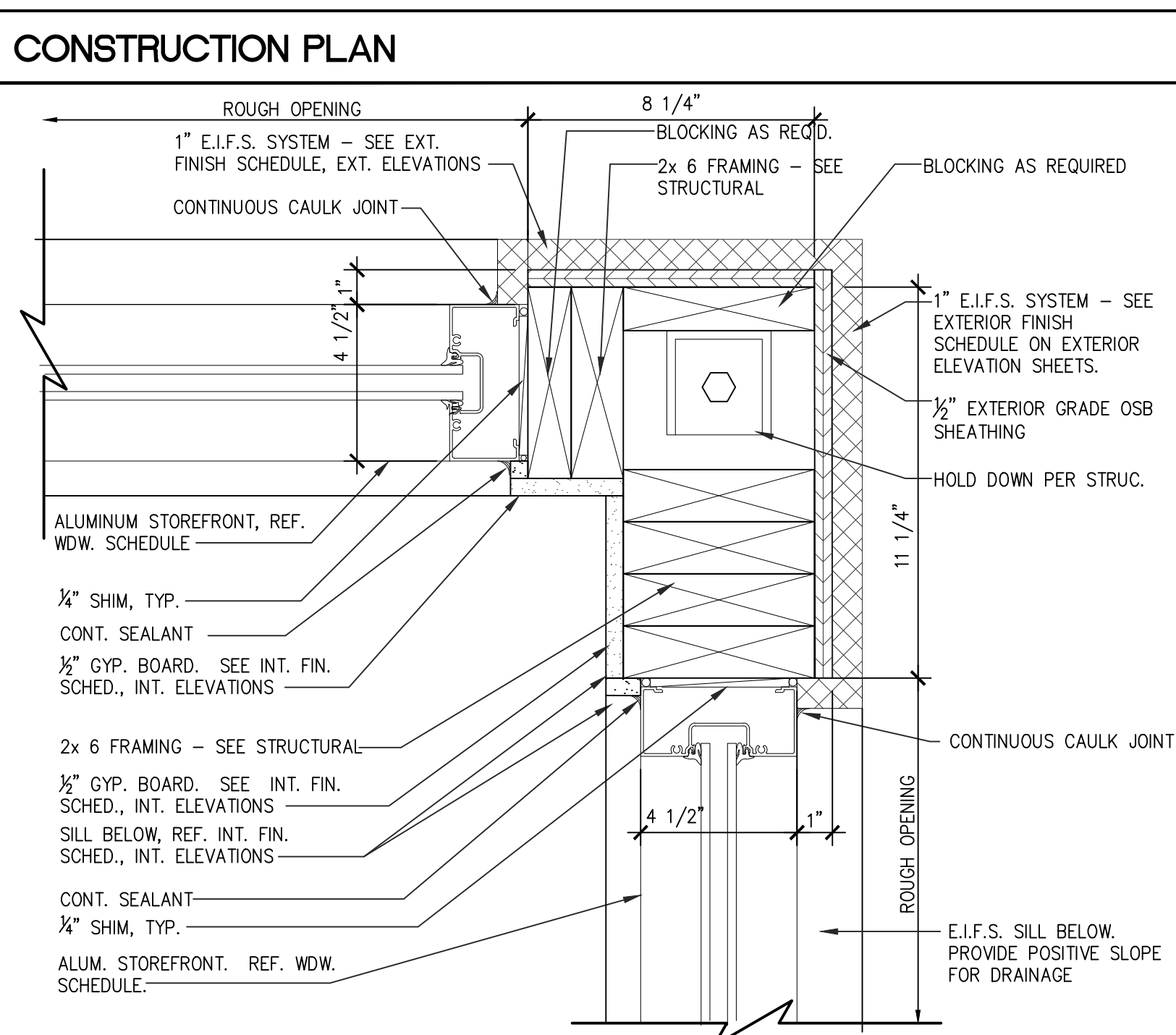
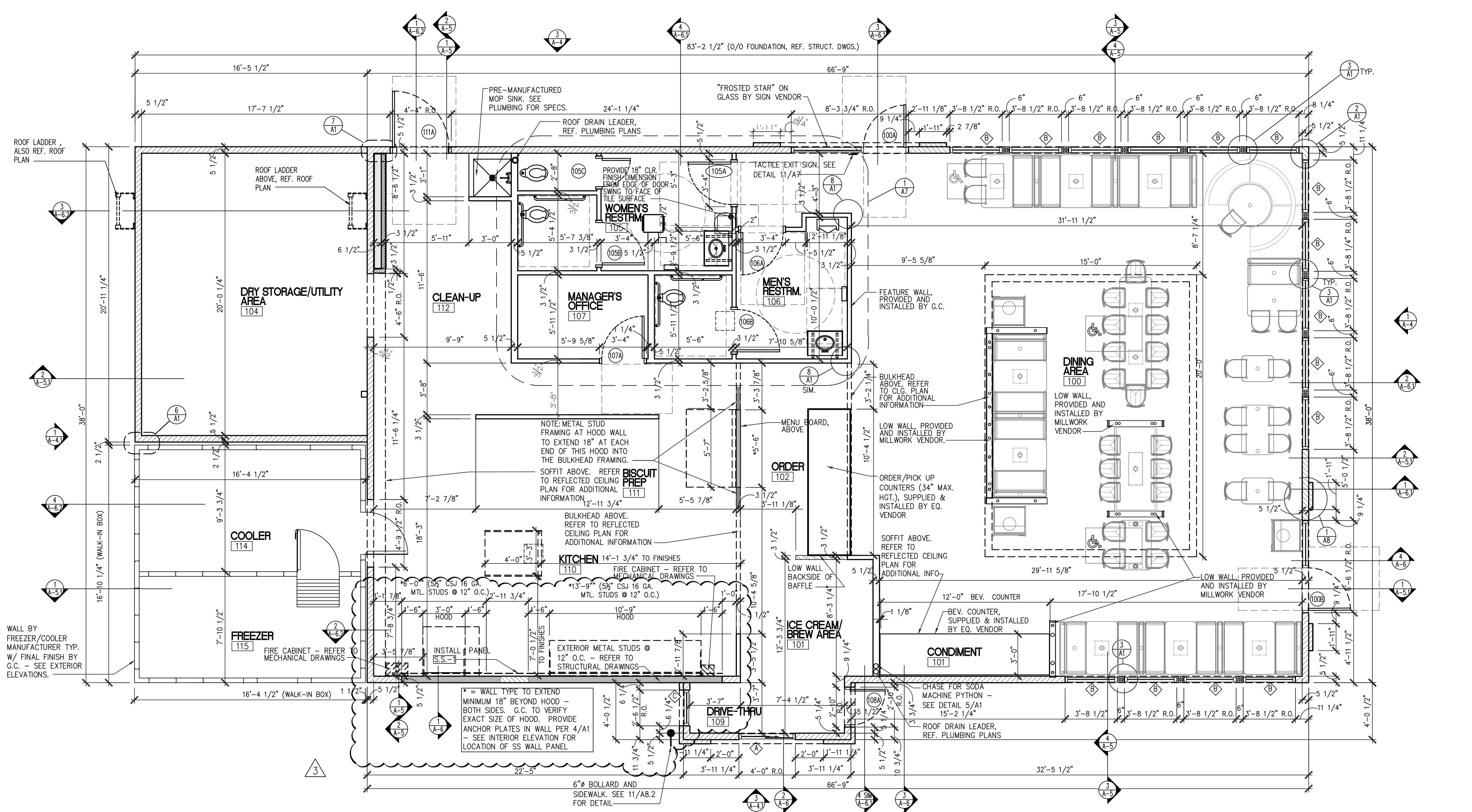
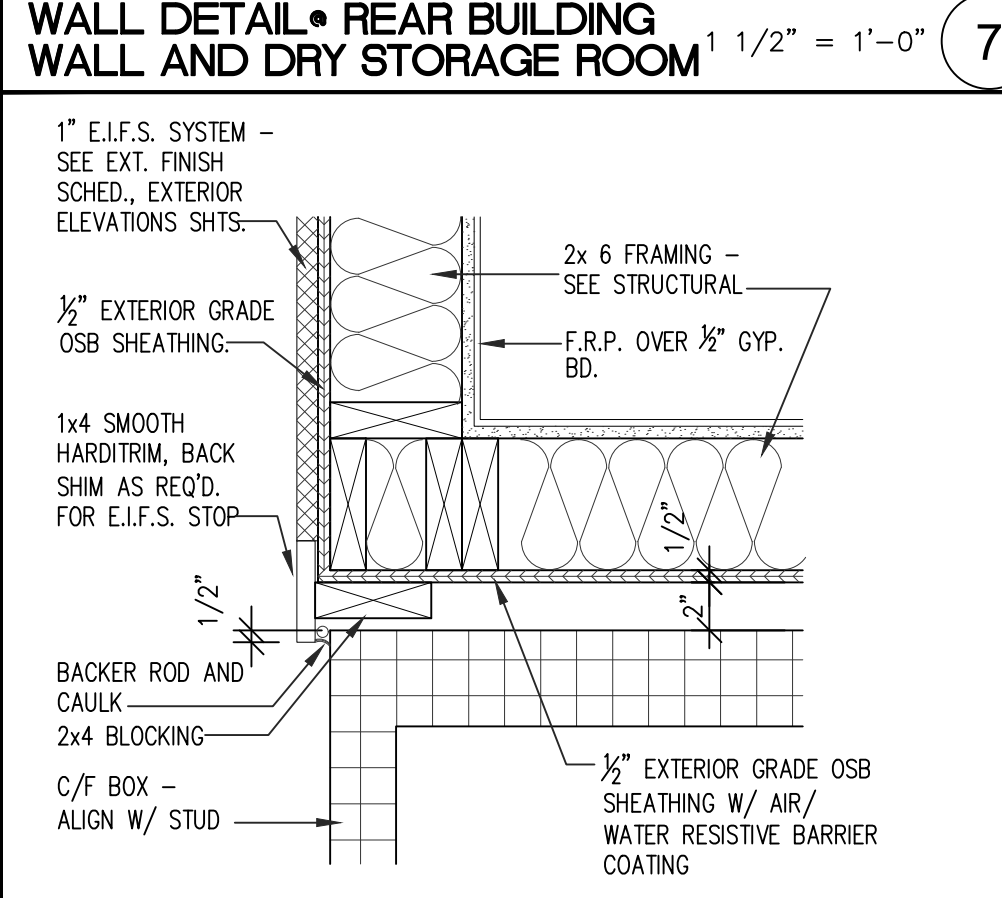
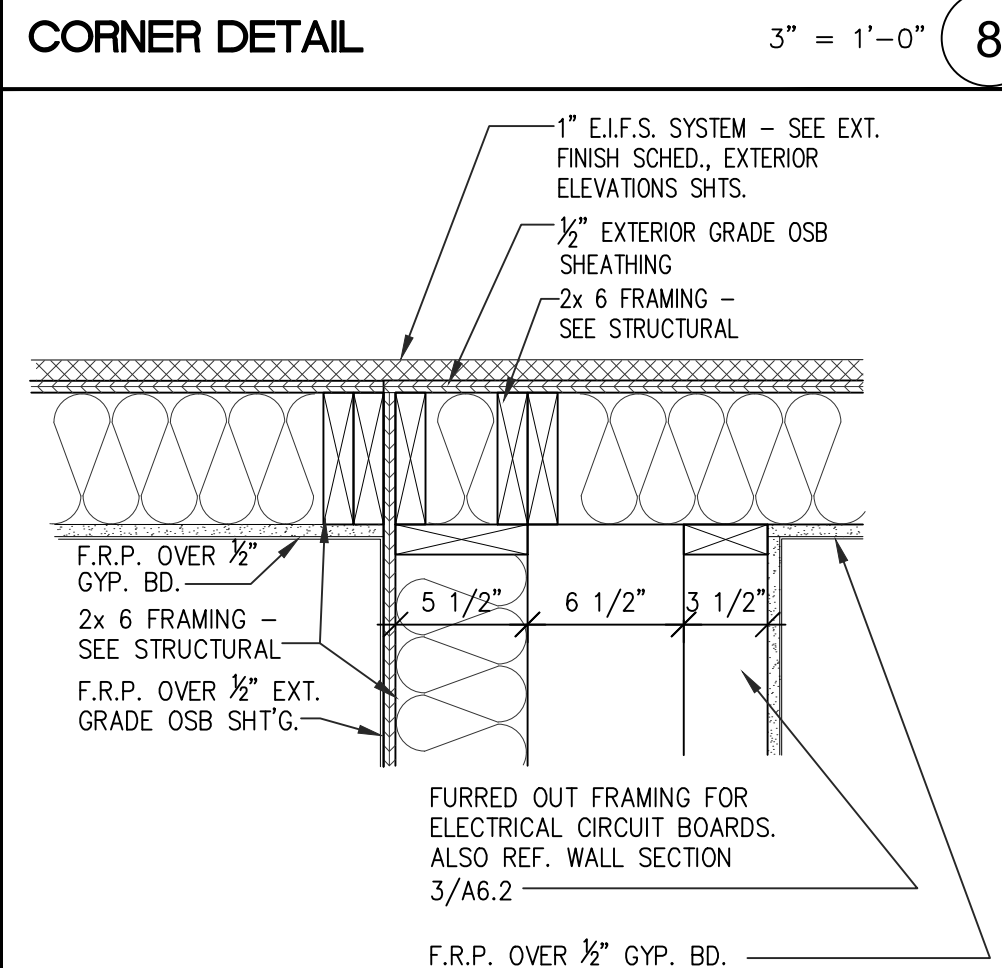
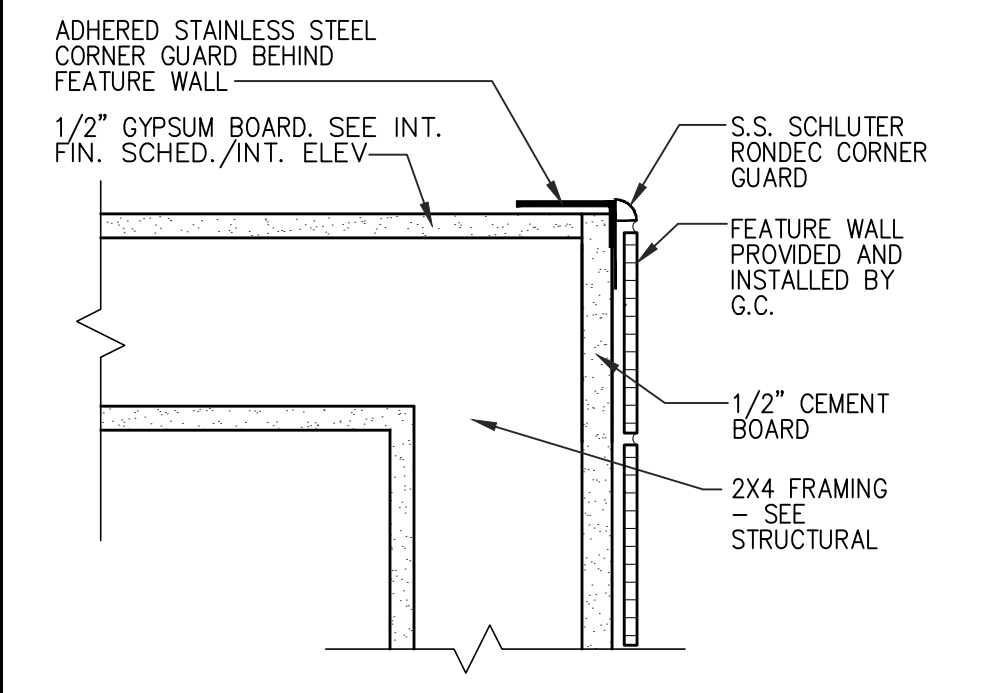
- GENERAL NOTES**
- DIMENSIONS SHOWN ARE FRAMING DIMENSIONS, UNLESS NOTED OTHERWISE. REFER TO FINISHES PLAN, SHEET A1.1 FOR REQUIRED INTERIOR WALL SUBSTRATES.
  - REFER TO FINISHES PLAN, SHEET A1.1 LOCATIONS OF FLOOR DRAINS AND SINKS.
  - REFER TO FINISHES PLAN, SHEET A1.1 FOR INTERIOR ELEVATION MARKERS.
  - REFER TO SHEET A-1.1 FOR DOOR AND WINDOW SCHEDULES.
  - PROVIDE 1/2" EXTERIOR GRADE OSB SHEATHING AT BUILDING EXTERIOR, TYPICAL UNLESS NOTED OTHERWISE. OSB SHEATHING SHALL BE STRUCTURALLY RATED AT SHEAR WALLS AS NOTED IN THE STRUCTURAL DRAWINGS.
  - UNDERCUT ALL INTERIOR DOORS 3/4" TO ALLOW FOR AIR CIRCULATION.

**NOTE:**

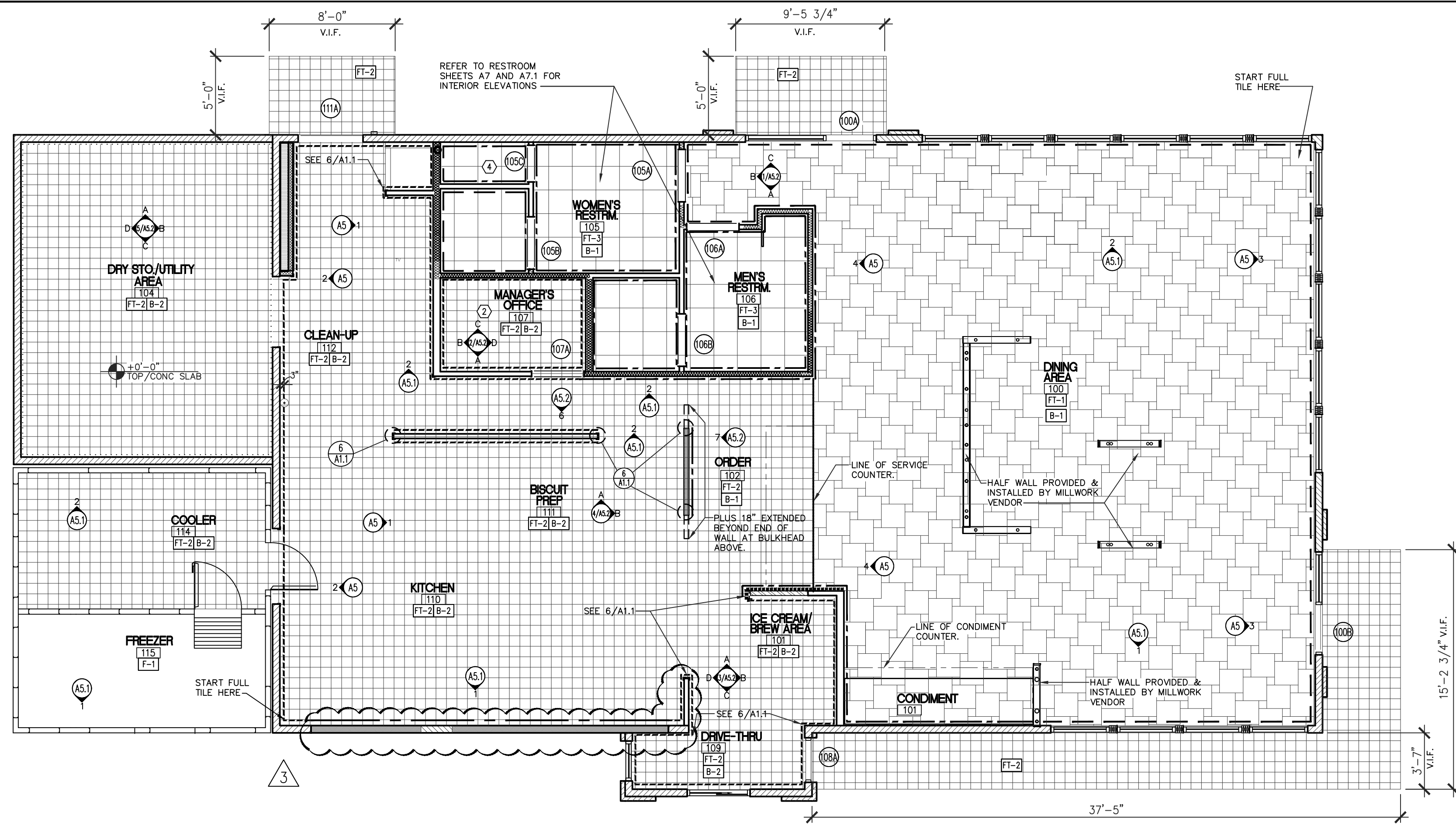
\* = WALL TYPE TO EXTEND MINIMUM 18" BEYOND HOOD - BOTH SIDES. G.C. TO VERIFY EXACT SIZE OF HOOD. PROVIDE ANCHOR PLATES IN WALL PER 4/A1 - SEE INTERIOR ELEVATION FOR LOCATION OF SS WALL PANEL.

**NOTE:**

SEE STRUCTURAL DRAWINGS FOR SHEAR WALL LOCATIONS AND SHEAR WALL REQUIREMENTS

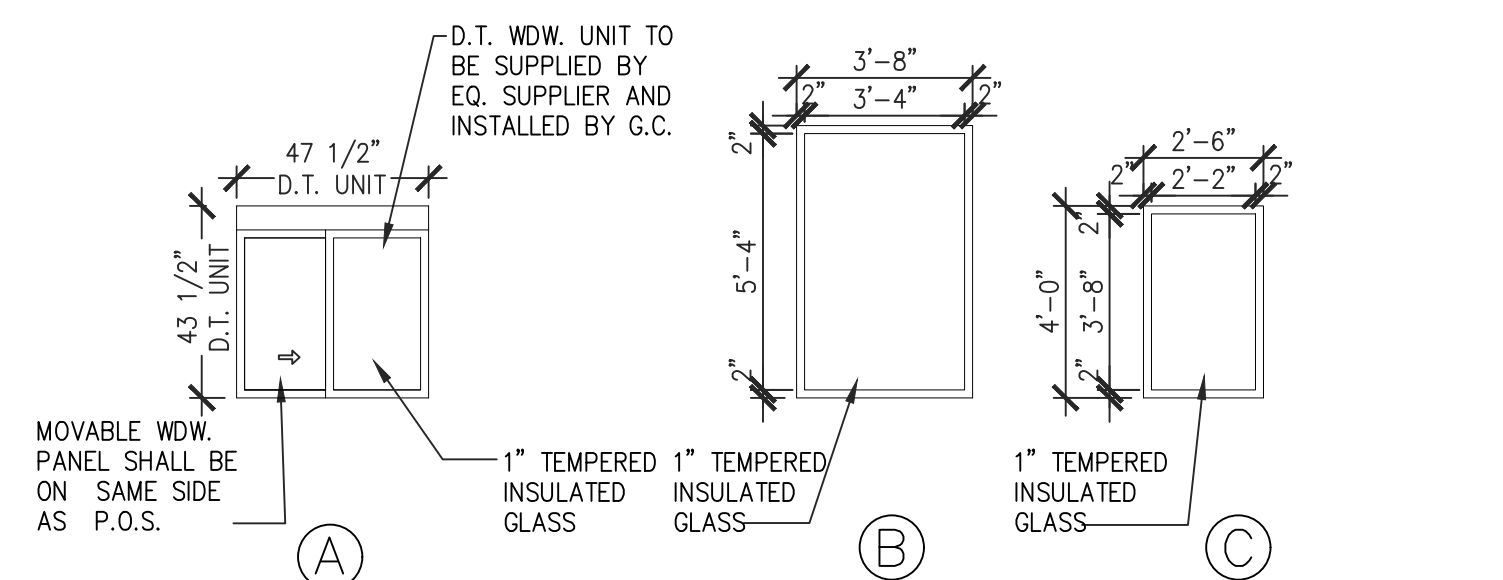


19187 A1.0.dwg Sep 25, 2020 - 1:00pm



FINISHES PLAN

SCALE: 3/16" = 1'-0" 1



NOTE: DOOR & WINDOW FRAME SIZES SHOWN ARE UNIT SIZES. ROUGH OPENINGS AND UNITS ARE TO BE FIELD VERIFIED PRIOR TO FABRICATION.

NOTE: DRIVE-THRU WINDOW UNIT TO BE SUPPLIED BY EQ. SUPPLIER, INSTALLED BY G.C.

NOTE: WINDOW FRAMES SHALL BE KAWNEER TRIFAB 451 OR EQUAL.

NOTE: GLASS TO BE SOLARBAN 67 (2) CLEAR OUTDOOR LITE AND CLEAR INDOOR LITE. SHG 0.29 AND U-VALUE 0.29.

MARK	FINISHED WDW. SIZE	MATERIAL	HEAD	JAMB	SILL	REMARKS
A	47 1/2" x 43 1/2"	BLACK ANOD. ALUM.	2/A6	14/A8	13/A8	
B	3'-8" x 5'-8"	BLACK ANOD. ALUM.	3/A6	3/A6	3/A6	
C	2'-6" x 4'-0"	BLACK ANOD. ALUM.	15/A8 SIM.	15/A8 SIM.	15/A8	
D	NOT USED					

WINDOW SCHEDULE

SCALE: 1/4" = 1'-0" 2

ROOM TAG	ROOM/AREA DESCRIPTION	FLOOR	BASE	WALL	CEILING	CLIGHT	REMARKS
100	DINING AREA	FT-1	B-1	L-2, P1	ACT-1, AC-2	10'-0"	SEE DECOR DRAWINGS FOR ADDITIONAL FINISH SPECIFICATIONS
101	CONDIMENT AREA	FT-1	--	QU-1, P1	GYP. BD. SOFFIT / P-2	8'-8"	
102	ORDER AREA	FT-2	B-2	CT-1, CT-2	CT-3	10'-0"	
103	NOT USED						
104	DRY STORAGE/UTILITY AREA	FT-2	B-2	FRP-1	GYP-2 / P-5	VARIABLE W/ SLOPE	REFER TO INTERIOR ELEVATIONS FOR VARIOUS FINISH LOCATIONS.
105	WOMEN'S TOILET AREA	FT-3	B-1	CT-1, CT-2	GYP-1 / P-5	8'-0"	
106	MEN'S TOILET AREA	FT-3	B-1	CT-1, CT-2	GYP-1 / P-5	8'-0"	
107	MANAGER'S OFFICE	FT-2	B-2	FRP-1	ACT-3	9'-0"	REF. "MATERIALS SCHEDULE", SHT. A-2 FOR ADDITIONAL CEILING SPECIFICATIONS
108	ICE CREAM/BEVERAGE	FT-2	B-2	FRP-1	ACT-3	8'-0"	
109	DRIVE-THRU AREA	FT-2	B-2	FRP-1	ACT-3	8'-0"	
110	KITCHEN AREA	FT-2	B-2	FRP-1, SS-1	ACT-3	8'-0"	
111	BISCUIT PREP AREA	FT-2	B-2	FRP-1, SS-1	ACT-3	8'-0"	MANAGER'S OFFICE TO HAVE FRP OVER 1/2" GYP.
112	CLEAN-UP/PREP AREA	FT-2	B-2	FRP-1	ACT-3	8'-0"	
113	NOT USED						
114	COOLER	FT-2	--	FACTORY FINISH	FACTORY FINISH	8'-0"	
115	FREEZER	F-1	--	FACTORY FINISH	FACTORY FINISH	8'-0"	

ROOM FINISH SCHEDULE

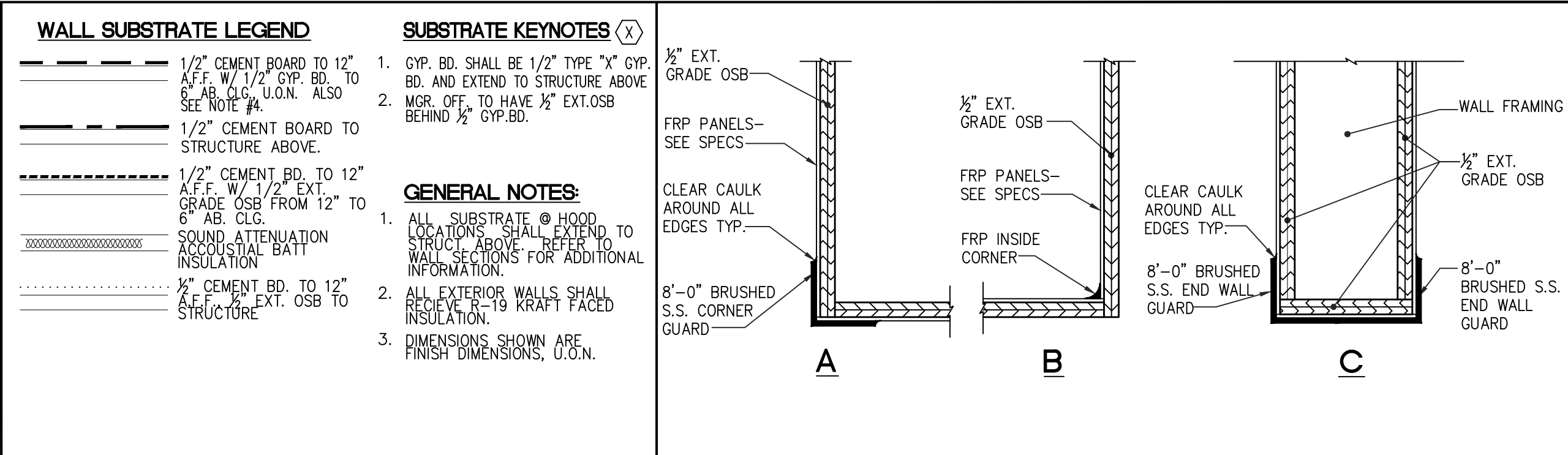
N.T.S. 3

SYMBOL	MATERIAL	DESCRIPTION	REMARKS
ACT-1	2' x 2' CEILING TILE	ARMSTRONG - FINE FISSED #928 WHITE COLORED TILE WITH SQUARE EDGE. ARMSTRONG 15/16" TEE GRID SYSTEM WITH MATCHING WHITE COLOR.	
ACT-2	2' x 2' CEILING TILE	ARMSTRONG - FINE FISSED #1728 BL - TECH BLACK COLORED TILE WITH SQUARE EDGE. ARMSTRONG 15/16" EXPOSED TEE GRID SYSTEM WITH MATCHING TECH BLACK COLOR.	
ACT-3	2' x 2' WASHABLE CEILING TILE	USG (800) 950-3839 - SHEETROCK CLIMAPLUS 3270 VINYL FACED GYPSUM LAY-IN PANELS, 24"x24"x1/2" SQUARE EDGE, WHITE TRIPPLE, w/DOWN SERIES DKL GLASS A 15/16" STANDARD EXPOSED GRID SYSTEM, COLOR: FLAT LATEX	
GYP-1	GYP. BOARD, CEILING	GYP. BOARD CEILING (RESTROOMS). PAINTED SHERWIN WILLIAMS SW7009 COLOR: - PEARLY WHITE	PAINT
GYP-2	GYP. BOARD, CEILING	GYP. BD. CEILING (DRY STORAGE AREA). PAINTED SHERWIN WILLIAMS SW7009 COLOR: PEARLY WHITE - SATIN LATEX	PAINT
FRP-1	FIBERGLASS REINFORCED PANEL - FRP	MARLITE (OR EQUAL) - "WHITE" PROVIDE MATCHING MOULDING AND TRIM	
B-1	TILE BASE	CROSSVILLE - AV213 6"x12" COLOR: BISTRO BROWN GROUT: LATICRETE #35 MOCHA, JOINTS: 3/16"	
B-2	TILE BASE	CROSSVILLE - AB80 ONYX COVE BASE 6"x8" GROUT: LATICRETE #35 MOCHA, JOINTS: 3/16"	
FT-1	FLOOR TILE	CROSSVILLE - AV213 18"x18" COLOR: BISTRO BROWN WITH CROSSVILLE - AV213 6"x6" COLOR: BISTRO BROWN GROUT: LATICRETE #35 MOCHA, JOINTS: 3/16"	LAY TILE IN LARGE PINWHEEL PATTERN (PER CROSSVILLE PATTERN 22)
FT-2	ABRASIVE FLOOR TILE	CROSSVILLE CROSSSTREAD AB80 ONYX 8"x8" GROUT: LATICRETE #35 MOCHA, JOINTS: 3/16"	90° SQ. GRID PATTERN
FT-3	FLOOR TILE	CROSSVILLE - AV213 18"x18" COLOR: BISTRO BROWN GROUT: LATICRETE #35 MOCHA, JOINTS: 3/16"	
F-1	FACTORY FLOOR	FLOOR PROVIDED BY FREEZER/COOLER MANUFACTURER	
CT-1	WALL TILE - FIELD	CROSSVILLE - AV291 12"x24" - COLOR: SILICA * SEE CT-2 WALL ACCENT TILE FOR ADDITIONAL INFORMATION * PROVIDE SCHLUTER OUTSIDE CORNER TRIM & END TERMINATION TRIMS AS REQ'D. SHALL MATCH OTHER METAL TRIM TREATMENTS IN SHEEN & METAL TYPE.	GROUT: LATICRETE #24 GRAY JOINTS: 3/16"
CT-2	WALL TILE - ACCENT (w/CT-1 WALL TILE - FIELD)	CROSSVILLE - AV285 12"x36" - COLOR: BANK ROLL. INSTALL A SINGLE ROW OF THIS ACCENT TILE AT 5'-6" A.F.F. TO THE BOTTOM EDGE OF THE ACCENT TILE. SEE INTERIOR ELEVATIONS, SHTS. AS, AS.1, AND AS.2.	GROUT: LATICRETE #24 GRAY JOINTS: 3/16"
SS-1	STAINLESS STEEL PANELS	18ga. - #4 BRUSHED FINISH - WITH TRIM STRIPS	FURN. & INSTALLED BY G.C. \ M.C.
SS-2	STAINLESS STEEL CORNER GUARDS	PROVIDED / INSTALLED BY G.C. SEE SHEETS A1.1 AND SHEETS AS, AS.1, AND AS.2 FOR ADDITIONAL INFORMATION	
L-1	PLASTIC LAMINATE	SELECTED DOORS - WILSONART: 4832 SATIN OXIDE (TEXTURED)	SEE SHEET A1.1 "DOOR TYPES"
L-2	WALL COVERING LAMINATE / WAINSCOT	PROVIDED / INSTALLED BY DECOR NATIONAL ACCOUNT. PROVIDED / INSTALLED ARE 1/8" NUDDO PANELS w/ WILSONART 4832 SATIN OXIDE TEXTURED LAMINATE WITH ALL METAL TRIM PIECES. ALSO PROVIDED / INSTALLED IS CHAIR RAIL SCHLUTER MTL. TRIM PRODUCT(S).	
L-3	FEATURE WALL LAMINATE w/ FEATURE MTL. STAR	PROVIDED / INSTALLED BY G.C. 1/2" LAMIN. PANELS WITH NEYAMAR: W003T VALENICA TEAK TEXTURE (HORIZONTAL GRAIN) ALONG WITH METAL TRIM PRECAST STAINLESS STEEL STAR	ALL TILE PROVIDED AND INSTALLED BY G.C.
P-1	PAINT	SHERWIN WILLIAMS - SW7039 COLOR: VIRTUAL TAUPE	SATIN LATEX
P-2	PAINT	SHERWIN WILLIAMS - SW6601 COLOR: TANAGER	SATIN LATEX
P-3	PAINT	SHERWIN WILLIAMS - SW6258 COLOR: TRICORN BLACK	SATIN ENAMEL
P-4	PAINT	SHERWIN WILLIAMS - SW6107 COLOR: NOMADIC DESERT	FLAT LATEX
P-5	PAINT	SHERWIN WILLIAMS - SW7009 COLOR: PEARLY WHITE	SATIN LATEX

\* ALL GROUT CAULK WILL BE "SANDED" IN A LATICRETE COLOR. MATCH TO "TOOLS 4 FLOORING" WEBSITE

MATERIAL SCHEDULE

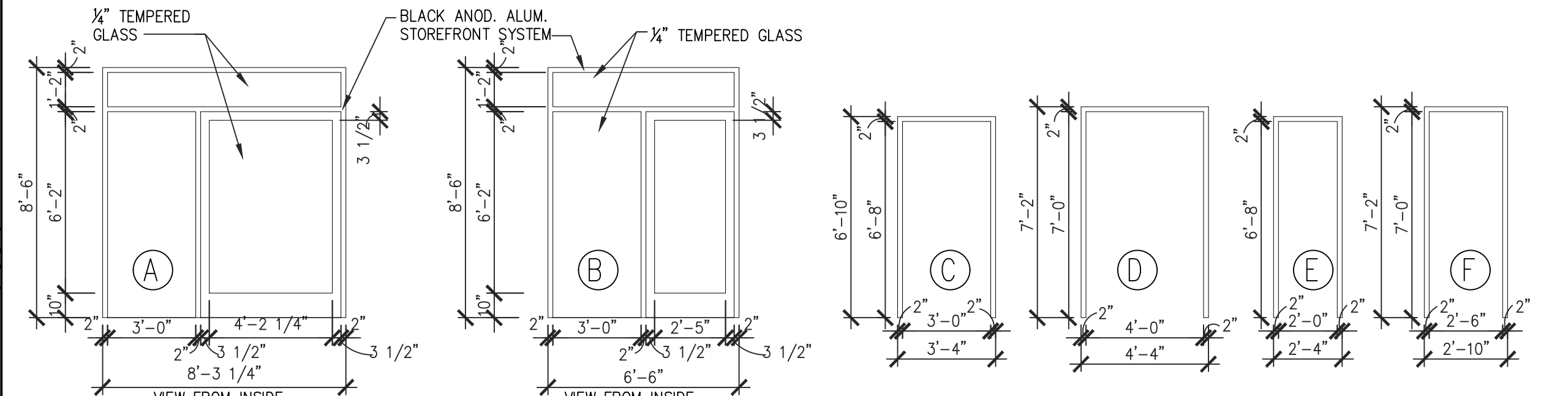
N.T.S. 4



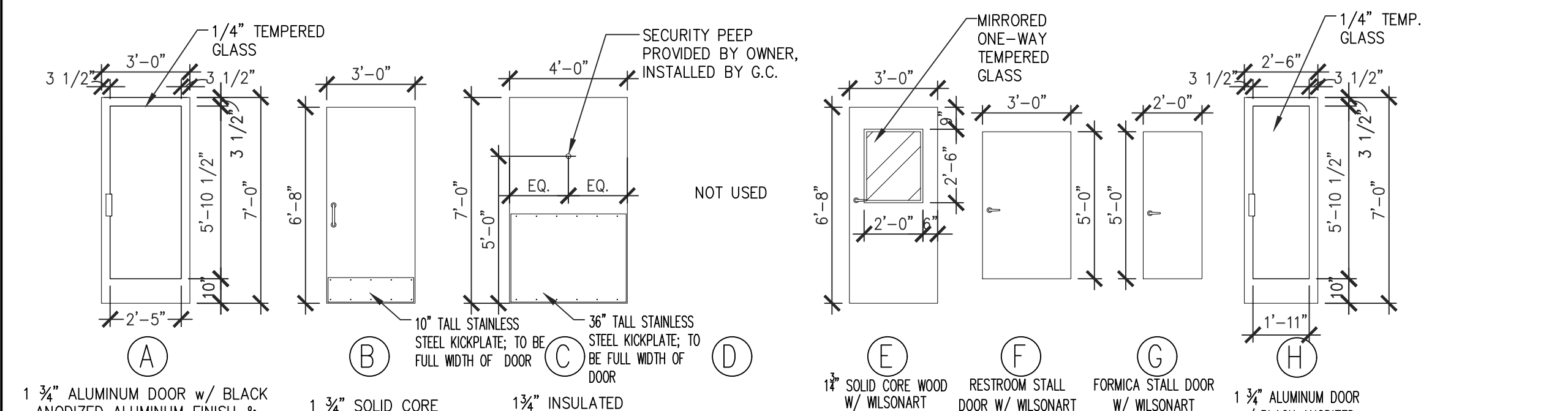
WALL SUBSTRATE LEGEND

CORNER GUARD DETAIL (TYP. FOOD PREP AREA) N.T.S. 6

ROOM/ MARK	DOOR FINISHED OPENING SIZE	MATERIAL	DOOR TYPE	DOOR FRAME	DOOR WEIGHT	DOOR HEIGHT	DOOR WIDTH	DOOR FINISH	DOOR GLASS	DOOR LOCK	DOOR HANDLE	DOOR SCHEDULE	NOTES
100	3'-0" x 7'-0"	BLACK ANOD. ALUM. DOOR w/TEMP. GLASS AND BLACK ANOD. ALUM. FRAME	A	--	A	--	1	190 SERIES DOOR/TRIFAB 451 SERIES FRAME BY KAWNEER OR EQ.					NOTE: DOOR & WINDOW FRAME SIZES ARE TO BE FIELD VERIFIED PRIOR TO FABRICATION
100	3'-0" x 7'-0"	BLACK ANOD. ALUM. DOOR w/TEMP. GLASS AND BLACK ANOD. ALUM. FRAME	A	--	B	--	1	190 SERIES DOOR/TRIFAB 451 SERIES FRAME BY KAWNEER OR EQ.					
105	3'-0" x 6'-8"	HOLLOW METAL FRAME	B	L-1	C	P-1	2	--					
105	3'-0" x 5'-0"	HOLLOW METAL FRAME	F	L-1	C	P-1	4	TOILET STALL (HANG DOOR CENTERED IN FRAME)					
105	2'-0" x 5'-0"	HOLLOW METAL FRAME	G	L-1	E	P-1	4	TOILET STALL (HANG DOOR CENTERED IN FRAME)					
106	3'-0" x 6'-8"	HOLLOW METAL FRAME	B	L-1	C	P-1	2	--					
106	3'-0" x 5'-0"	HOLLOW METAL FRAME	F	L-1	C	P-1	4	TOILET STALL (HANG DOOR CENTERED IN FRAME)					
107	3'-0" x 6'-8"	HOLLOW METAL FRAME	E	L-1	C	P-1	3	--					
108	2'-6" x 7'-0"	BLACK ANOD. ALUM. DOOR w/ TEMP. GLASS AND BLACK ANOD. ALUM. FRAME	H	--	F	--	1	DOOR/FRAME BY KAWNEER OR EQ., TRIFAB 450 SERIES					
111	4'-0" x 7'-0"	HOLLOW METAL FRAME	C	P-3	D	P-3	5	--					



FRAME TYPES



DOOR TYPES

HARDWARE SET NO.	DESCRIPTION	QUANTITY	MANUFACTURER	FINISH
HARDWARE SET NO. 1	ALL DOOR HARDWARE FURNISHED IN STANDARD DOOR PACKAGE INCLUDING EXTERIOR CYLINDER DEADBOLT LOCK WITH INTERIOR THUMBTURN TO MEET ADA; OFFSET PIVOT HINGES; THRESHOLD; WEATHER STRIPPING.	1	4040 HEAVY DUTY CLOSER WITH 18T.J.	
HARDWARE SET NO. 2	1 1/2 PR. HINGES FB8-179 4 1/2 x 4 1/2	2	STANLEY	US 26D
	1 KICKPLATE 20 GAUGE STAINLESS STEEL 10x36"	1	LDW	ALUMINUM BALDWIN US 32D
	1 CAST PULL #6N	1	HAGER	US 26D
	1 PUSH PLATES #40R 3" x 12"	1	HAGER	US 26D
	1 WALL MOUNTED DOOR STOP #WS406	1	IVES	ALUMINUM
	1 WALL-MOUNTED HANDICAP/BRAILLE SIGN @ 60" BLACK/WHITE-PLASTIC	1	AFF	ALUMINUM HED
HARDWARE SET NO. 3	1 1/2 PR. HINGES FB8-179 4 1/2 x 4 1/2	2	STANLEY	US 26D
	1 CLOSER 1460 SERIES	1	LCN	SBL
	1 WALL-MOUNTED DOOR STOP #WS406	1	IVES	ALUMINUM
	1 #CL3651 LEVER LOCKSET W/STRIKE	1	CORBIN/RUSSWIN	US 26D
HARDWARE SET NO. 4	1 1/2 PR. HINGES FB8-179 4 1/2 x 4 1/2	2	STANLEY	US 26D
	1 CLOTHES HOOK & DOOR BUMPER B-212	1	BOBBICK	US 26D
	1 #CL3620 LEVER LOCKSET W/STRIKE	1	CORBIN-RUSSWIN	US 26D
HARDWARE SET NO. 5	1 CONTINUOUS HALF-SURFACE HINGE WITH THREE BLOCK-OUT PLATES ON DOOR	1	MARKER #HS-203 OR HAGER/ROTON #780-053HD OR PEMKO #HSH	US 26D
	1 CLOSER: 4040 H-CUSH	1	LCN	ALUMINUM/BLACK
	1 ARMOR PLATE 36" x 46" WITH S.S. SCREWS	1	BALDWIN OR BURNS	ALUMINUM/BLACK
	1 THRESHOLD W/ VINYL WEATHERSTRIP	1	PEMCO 179AVx48	US 28
	1 RAINPRID 346 C 48"	1	PEMCO	ALUMINUM - PAINT BLACK IN FIELD
	1 SURFACE MOUNTED EXIT ONLY PANIC EXIT DEVICE- NO EXTERIOR TRIM, STANDARD STRIKE	1	ADAMS-RITE #8300-01	628 FINISH CLEAR ANODIZED

HARDWARE SCHEDULE

SCALE: 1/4" = 1'-0" 5

NRD Project # 19187

**NRD** national restaurant designers  
ARCHITECTS & ENGINEERS

3005 CARRINGTON MILL BLVD., SUITE 150  
MORRISVILLE, NORTH CAROLINA, 27560  
PH: 919-344-7251 FAX: 919-344-9399  
Division of LMR Associates

REGISTERED ARCHITECT  
REGISTERED ENGINEER  
13698  
NORTH CAROLINA  
NORTH CAROLINA  
NORTH CAROLINA

**Handee**  
CHARACTER DESIGN & PROTOTYPING

HARDEES STANDARD PROTOTYPE  
NC HWY 87 & BUFFALO RD.  
CAMERON, NC 28520

**BODDE-NOELL ENTERPRISES, INC.**  
P.O. BOX 1908  
ROCKY MOUNT, NC  
27802-1908  
(252) 967-2800

**OWNER**  
**BE**

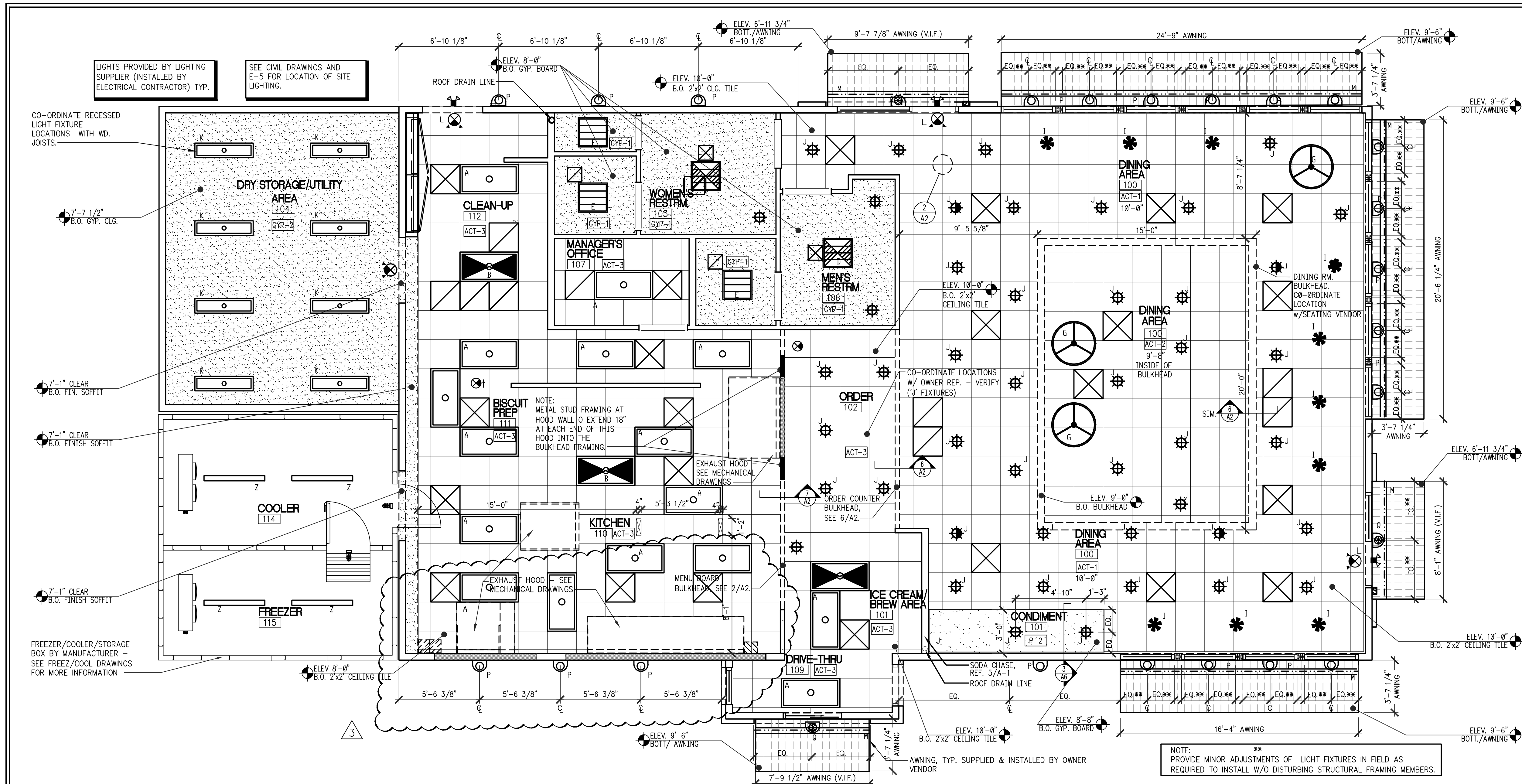
NO.	DATE	DESCRIPTION
1	9/24/20	BOBDE IN CHARGE

FINISH PLAN AND SCHEDULES

DATE: 01-31-2020

SHEET NUMBER:

A-1.1



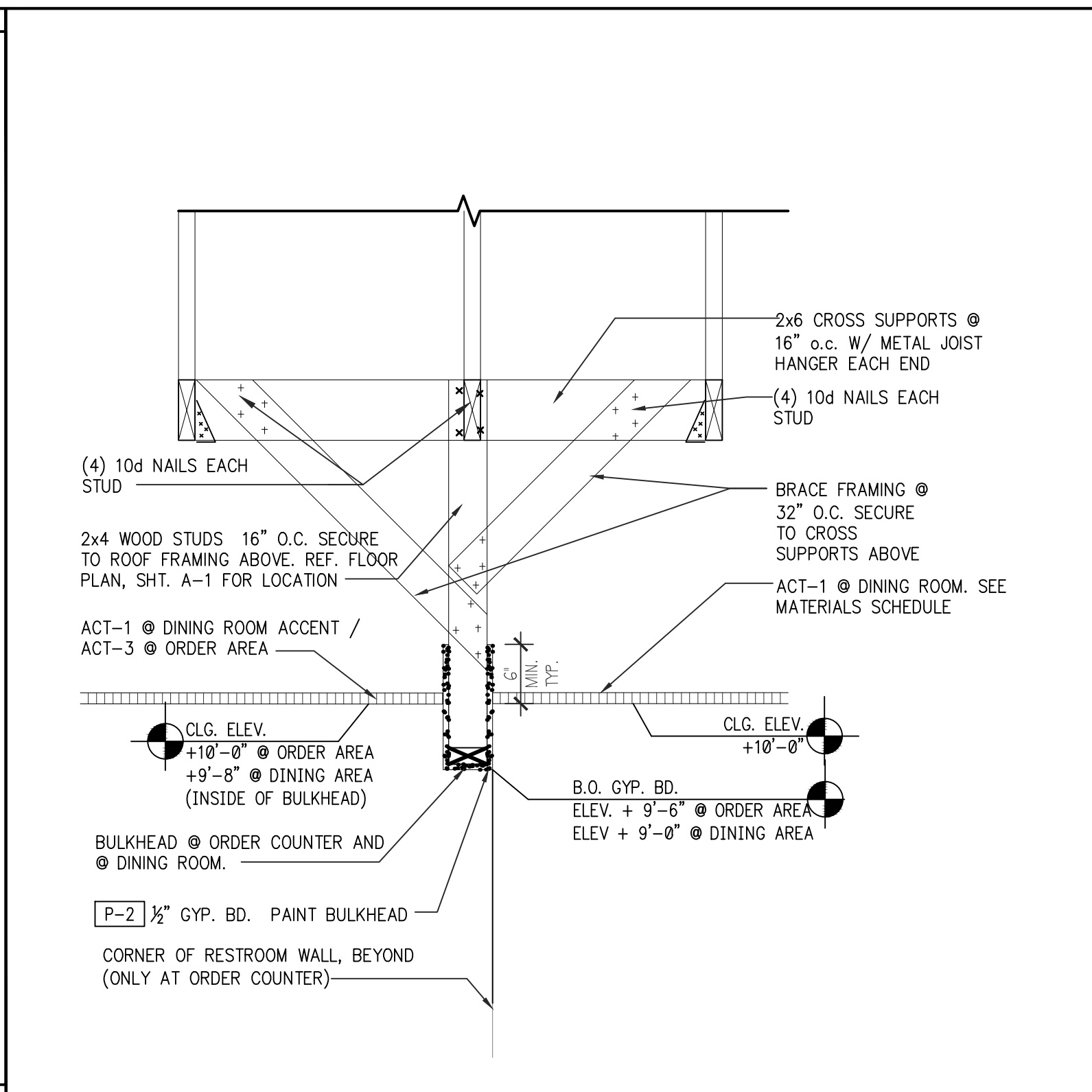
REFLECTED CEILING PLAN

SCALE: 1/4" = 1'-0" 1

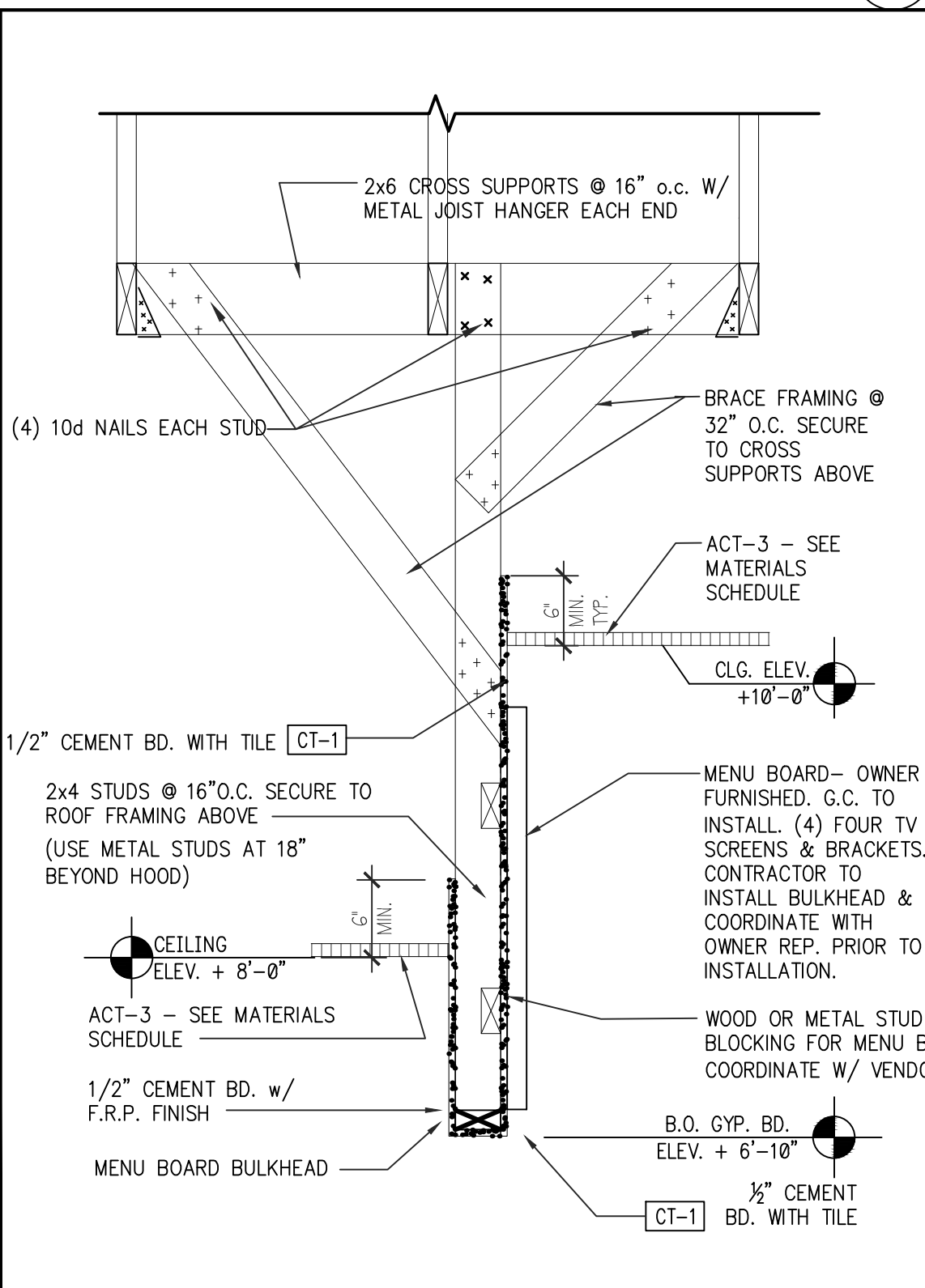
LIGHTING FIXTURE SCHEDULE							
FIXTURE TYPE	SYMBOL	DESCRIPTION	MANUFACTURER & MODEL NUMBER	LAMP TYPE	LAMP WATTAGE	REMARKS	GENERAL NOTE
A	[Symbol]	2x4 LAY-IN LED W/ PRISMATIC LENS LED LAMP PROPPER W/ REFLECTOR AND DRIVER	SECURITY LITE (COLUMBIA) LT24-40MIG-PSA12 EU	LED	52W	G.C. TO ORDER APPROPRIATE MOUNTING HARDWARE AS REQUIRED FOR PROPER CEILING INSTALLATION	
B	[Symbol]	SIMILAR TO 'A' W/ BUILT INVERTERS FOR EMERGENCY LIGHTING.	SECURITY LITE (COLUMBIA) LT24-40MIG-PSA12 EU W/ EL14	LED	52W		LOOK TO SEE GRID LIT. PART W/ HALF-WALL SCREEN
D	[Symbol]	2x2 RECESSED LED W/ PRISMATIC LENS LED LAMP FIXTURE W/ ENHANCED ALUM REFLECTOR W/ INVERTER FOR EMERGENCY LIGHTING.	SECURITY LITE (COLUMBIA) LT22-40MIG-PSA12 EU W/ EL14	LED	35W		LOOK TO SEE GRID LIT. PART W/ HALF-WALL SCREEN
E	[Symbol]	SIMILAR TO 'D' W/ OUT INVERTER	SECURITY LITE (COLUMBIA) LT22-40MIG-PSA12 EU	LED	35W		
F	[Symbol]	PENDANT FIXTURE	SECURITY LITE 2345 / AU-OP.	LED	6W	HELIX PENDANT OPAL LENS TRAP	
G	[Symbol]	PENDANT FIXTURE	SECURITY LITE LCE-WG-3026L-BS-GEN2	LED	27W	LARGE DRUM PENDANT WITH 18X30" DIA. SHROD. WITH 3 LED LAMPS 2500K	
J	[Symbol]	RECESSED LED DOWN LIGHT	SECURITY LITE #SULED1 K-35K-9-WH / DBDGL	LED	12W	PROVIDE WHITE TRIM & BLACK TRIM (FOR THE WHITE CLG. & BLACK CLG.)	DINING ROOM CEILING
K	[Symbol]	DRY STORAGE/UTILITY AREA - 1x4" RECESSED LED	SECURITY LITE LT14-40MIG-PSA12 EU-WP	LED	26W	GYP. BOARD MOUNTING KIT 1x4" RECESSED LED WITH WHP	
L	[Symbol]	EMERGENCY SIGN LIGHT COMBO W/ REMOTE OUTDOOR FIXTURE	SECURITY LITE EY2URB24	LED	3.63W	EMERGENCY COMBO SIGN SHALL BE WHITE	
L1	[Symbol]	EXIT SIGN	SECURITY LITE EY2URK	LED	1.42W	EXIT SIGN SHALL BE WHITE	
L2	[Symbol]	REMOTE OUTDOOR DUAL HEAD EMERGENCY LIGHT FIXTURE	SECURITY LITE EY2UR2	LED	6W	REMOTE FIXTURE SHALL BE BLACK	
M	[Symbol]	AWNING LED				LED SUPPLIED W/ AWNING - G.C. TO SUPPLY/CONNECT POWER.	
P	[Symbol]	AWNING UP LIGHT & DOWNLIGHT	SECURITY LITE RWSC-73L-SK-UD-U-BK	LED	25W	WALL SCOURCE, UP/DOWN LIGHTING, 25 WATT, BLACK FINISH	
Q	[Symbol]	AWNING DOWNLIGHT ONLY	SECURITY LITE RWSC-36L-SK-UD-U-BK	LED	14W	WALL SCOURCE, DOWN LIGHTING, 14 WATT, BLACK FINISH	
T1	[Symbol]	SITE LIGHT					SEE CIVIL DWGS. FOR LOCATION
T2	[Symbol]	SITE LIGHT					SEE CIVIL DWGS. FOR LOCATION

LIGHT FIXTURE SCHEDULE SCHEDULE REVISED TO MATCH LIGHT FIXTURE SCHEDULE SHEET E-2.

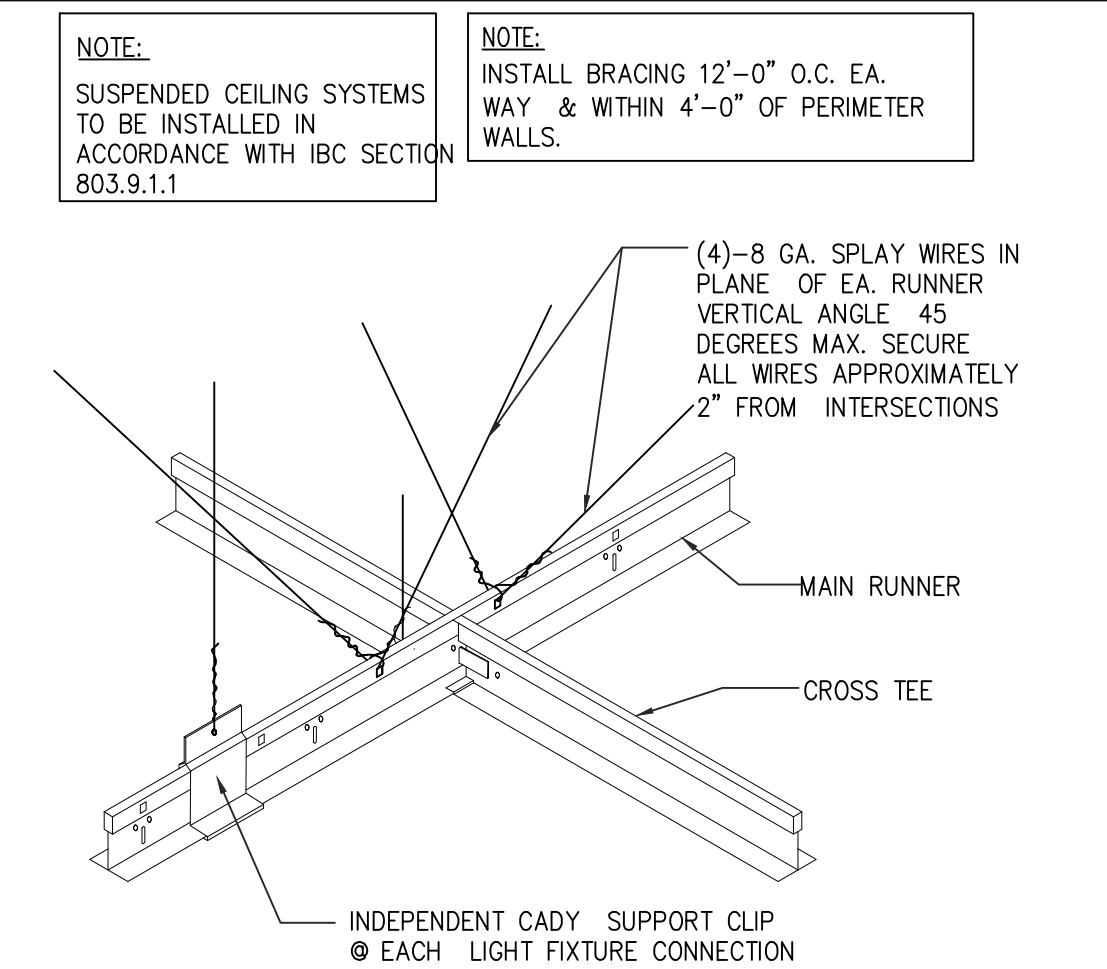
N.T.S. 5



BULKHEAD DTL. • ORDER COUNTER / DINING ROOM SCALE: 1" = 1'-0" 6



MENU BOARD BULKHEAD DTL. SCALE: 1" = 1'-0" 7



SUSPENDED LAY-IN CEILING DTL. SCALE: 1" = 1'-0" 2

CEILING LEGEND		
SYMBOL	DESCRIPTION	REMARKS
[Symbol]	RESTROOM EXHAUST DUCT	REFER TO THE MECHANICAL DWGS FOR THE CEILING GRILLE SPECS
[Symbol]	SUPPLY DIFFUSERS (TYPICAL)	REFER TO THE MECHANICAL DWGS FOR THE CEILING GRILLE CORRESPONDING CEILING COLOR
[Symbol]	RETURN/EXHAUST GRILLE	REFER TO THE MECHANICAL DWGS FOR THE CEILING GRILLE CORRESPONDING CEILING COLOR
[Symbol]	MUSIC SPEAKERS	FURNISHED & INSTALLED BY AUDIO VENDOR. PAINT TO MATCH CEILING TILES
[Symbol]	DRIVE-THRU SPEAKERS	FURNISHED BY OWNER, INSTALLED BY GC
[Symbol]	SURFACE MOUNTED SPEAKERS	FURNISHED & INSTALLED BY AUDIO VENDOR.

NOTES

- THE ELECTRICAL CONTRACTOR SHALL FURNISH AND INSTALL ALL REQUIRED ACCESSORIES, OPTIONS, MOUNTING HARDWARE, AND FIELD FABRICATION REQUIRED TO PROPERLY ADAPT THE FIXTURES TO THE SPECIFIC APPLICATIONS.
- LAY-IN LIGHTING FIXTURES SHALL NOT RELY ON THE CEILING SYSTEM ALONE FOR SUPPORT. LAY-IN LIGHTING FIXTURES SHALL BE SUPPORTED FROM THE STRUCTURE BY NO LESS THAN TWO HANGER WIRES AND SECURED TO THE CEILING GRID SYSTEM WITH THE APPROPRIATE SCREW HARDWARE.
- CUT-OUTS AT FIXTURES IN LAY-IN CEILING SHALL BE PRECISE WITH NO GAPS, CHIPS OR IRREGULARITIES.
- CEILING GRID SHALL BE LEVEL WITHIN A TOLERANCE OF 1/8" IN A SPAN OF 10'-0".
- ELECTRICAL CONTRACTOR TO CLEARLY LABEL PANEL BOARD CIRCUITING AS TO OPERATION.
- ALL ELECTRICAL DEVICES SHALL BEAR THE U.L. LABEL.
- ALL ELECTRICAL WORK SHALL FOLLOW ALL APPLICABLE NATIONAL, STATE AND LOCAL CODES, REGULATIONS AND LAWS.
- SEE ELECTRICAL DRAWINGS FOR ADDITIONAL REQUIREMENTS AND SPECIFICATIONS.
- SEE MECHANICAL DRAWINGS FOR ADDITIONAL REQUIREMENTS AND SPECIFICATIONS.
- DIMENSIONS SHOWN ARE FINISH DIMENSIONS, UNLESS NOTED OTHERWISE.
- REFER TO FLOOR PLAN, SHT. A-1 FOR FRAMING DIMENSIONS OF WALLS AND BULKHEADS.
- AT DINING AREAS, THIS ORDER AREA, KITCHEN AREA, MANAGER OFFICE, ALL SUPPLY AND RETURN DIFFUSERS (AND CEILING SPEAKERS WHERE APPLICABLE) ARE TO BE FACTORY FINISH COLOR AND SHALL MATCH THE COLOR OF ADJOINING CEILING.
- AT EACH RESTROOM, ALL EXHAUST FANS, SUPPLY DIFFUSERS, AND SPEAKERS ARE TO BE FACTORY FINISH COLOR: WHITE.

MATERIALS SCHEDULE

SYMBOL	MATERIAL	DESCRIPTION	REMARKS
ACT-1	2'x 2' CEILING TILE	ARMSTRONG - FINE FISSURED #928 WHITE COLORED TILE WITH SQUARE EDGE. ARMSTRONG 15/16" TEE GRID SYSTEM WITH MATCHING WHITE COLOR.	
ACT-2	2'x 2' CEILING TILE	ARMSTRONG - FINE FISSURED #1728 BL - TECH BLACK COLORED TILE WITH SQUARE EDGE. ARMSTRONG 15/16" EXPOSED TEE GRID SYSTEM WITH MATCHING TECH BLACK COLOR.	
ACT-3	2'x 2' WASHABLE CEILING TILE	USG (800) 950-3839 - SHEETROCK CLIMAPLUS 3270 VINYL FACED GYPSUM LAY-IN PANELS, 24"x24"x1/2" SQUARE EDGE, WHITE STIPPLE, w/DOWN SERIES DXL CLASS A 15/16" STANDARD EXPOSED GRID SYSTEM, COLOR: FLAT WHITE	
GYP-1	GYP. BOARD. CEILING	5/8" GYP. BOARD CEILING (RESTROOMS). PAINTED SHERWIN WILLIAMS SW7009 COLOR PEARLY WHITE - SATIN LATEX	SEE P-4 SHT. A1.1
GYP-2	GYP. BOARD. CEILING	5/8" GYP. BD. CEILING (DRY STORAGE AREA). PAINTED SHERWIN WILLIAMS SW7009 COLOR: PEARLY WHITE - SATIN LATEX	SEE P-5 SHT. A1.1

MATERIALS SCHEDULE N.T.S. 8

NRD Project # 19187

**national**  
restaurant  
designers

**ARCHITECTS & ENGINEERS**

3005 CARRINGTON MILL BLVD., SUITE 150  
MORRISVILLE, NORTH CAROLINA 27560  
PH: 919-344-7251 FAX: 919-344-9399

Division of LMR Associates

ARMY DIVISION  
REGISTERED ARCHITECT  
13698  
NORTH CAROLINA  
MORRISVILLE, N.C.

**Handeex**  
CHARACTER DESIGN & INTERIORS

HARDEE'S STANDARD PROTOTYPE  
NC HWY 87 & BUFFALO RD.  
CAMERON, NC 28520

**BODDE-NOELL**  
ENTERPRISES, INC.  
P.O. BOX 1908  
ROCKY MOUNT, NC  
27802-1908  
(252) 967-2800

**OWNER**  
**BN**

NO.	DESCRIPTION	DATE
1	BONE IN CHICKEN	3/24/20

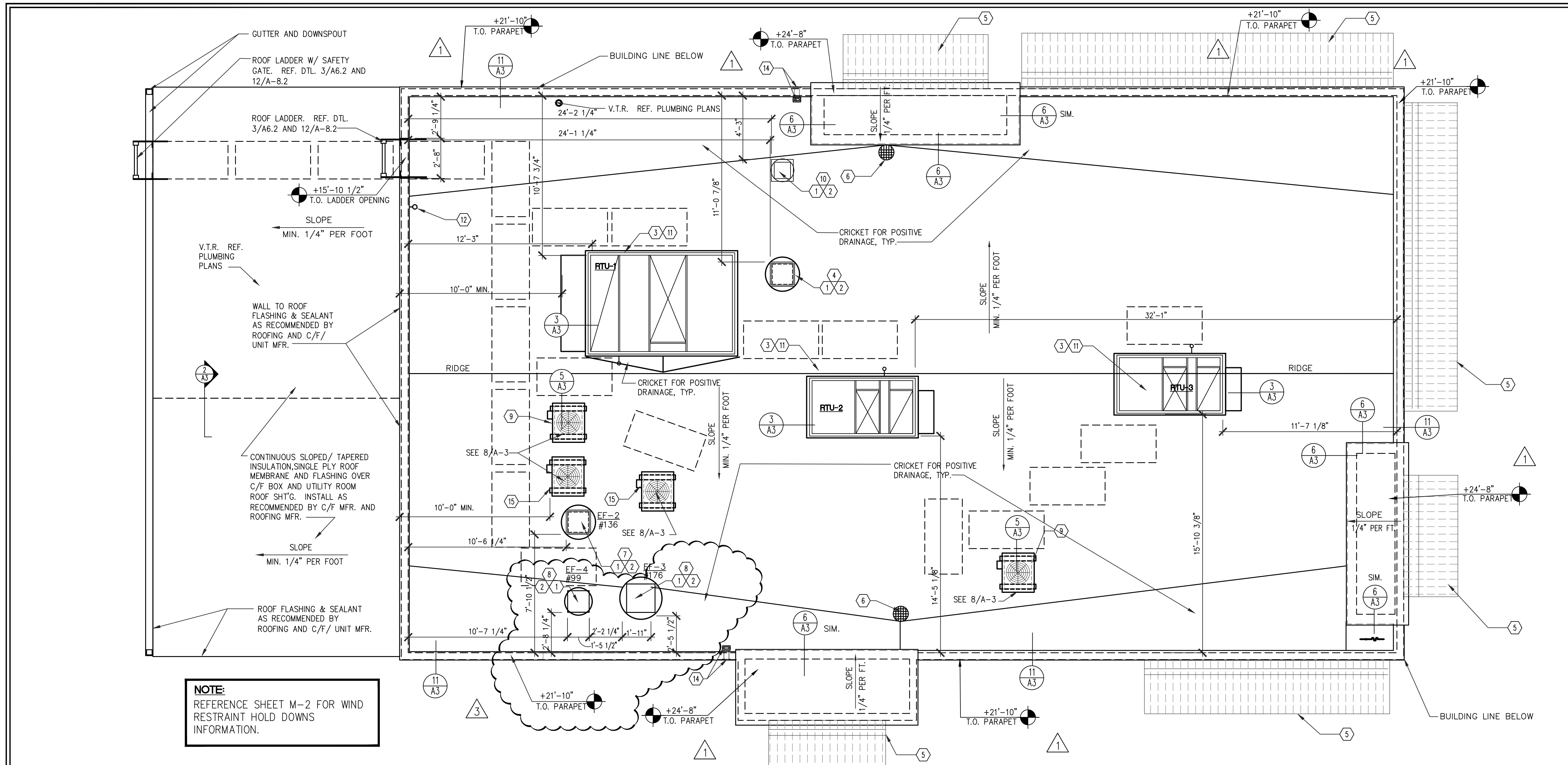
DRAWN BY: \_\_\_\_\_ CHECKED BY: \_\_\_\_\_

REFLECTED CEILING PLAN

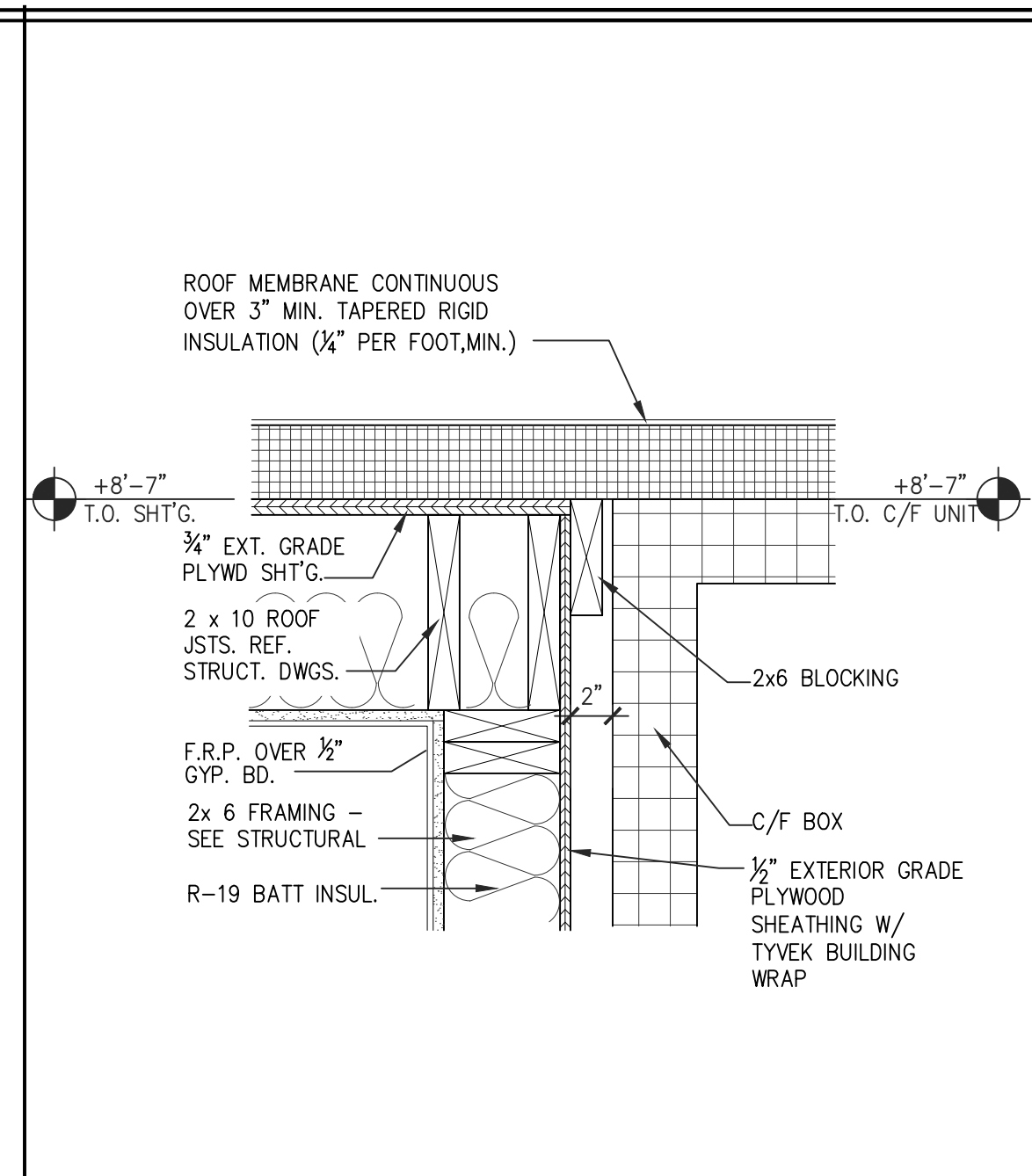
DATE: 01-31-2020

SHEET NUMBER: **A-2.0**

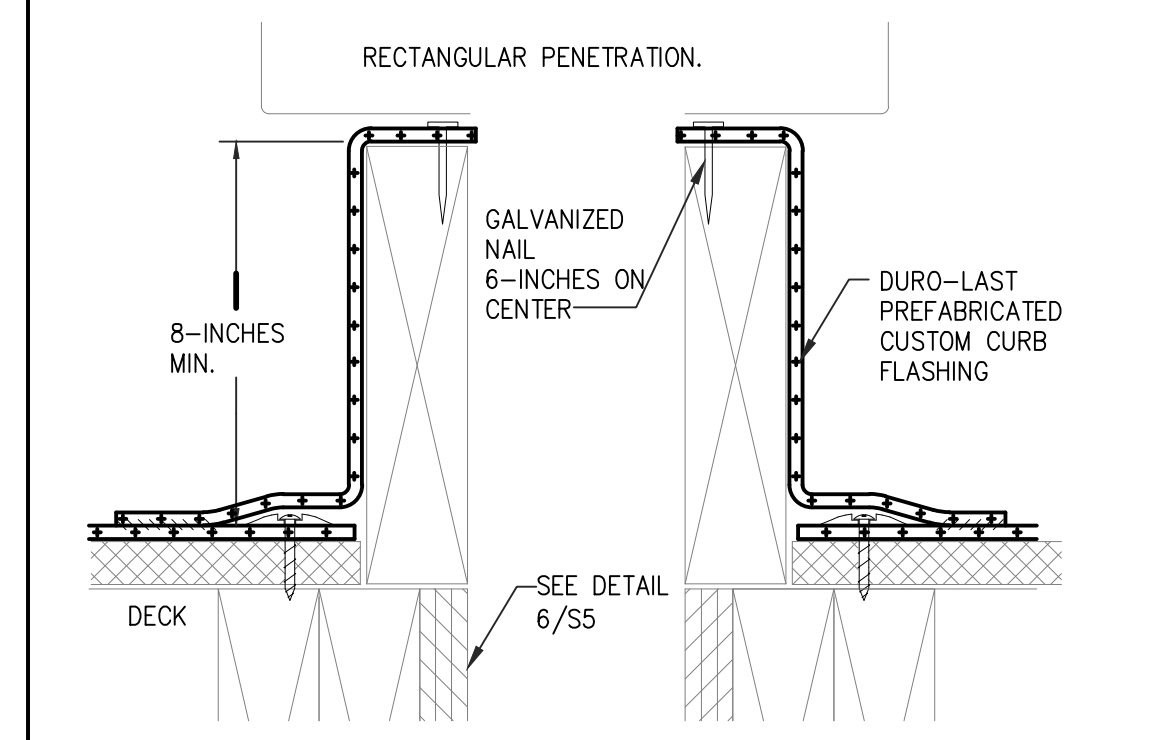
19187\_A2\_R2.dwg Sep 25, 2020 - 11:09m



**NOTE:**  
REFERENCE SHEET M-2 FOR WIND RESTRAINT HOLD DOWNS INFORMATION.



DETAIL • UTILITY RM-C/F BOX 1/2" = 1'-0" 2



TYP. RECTANG. PENETRATION N.T.S. 3

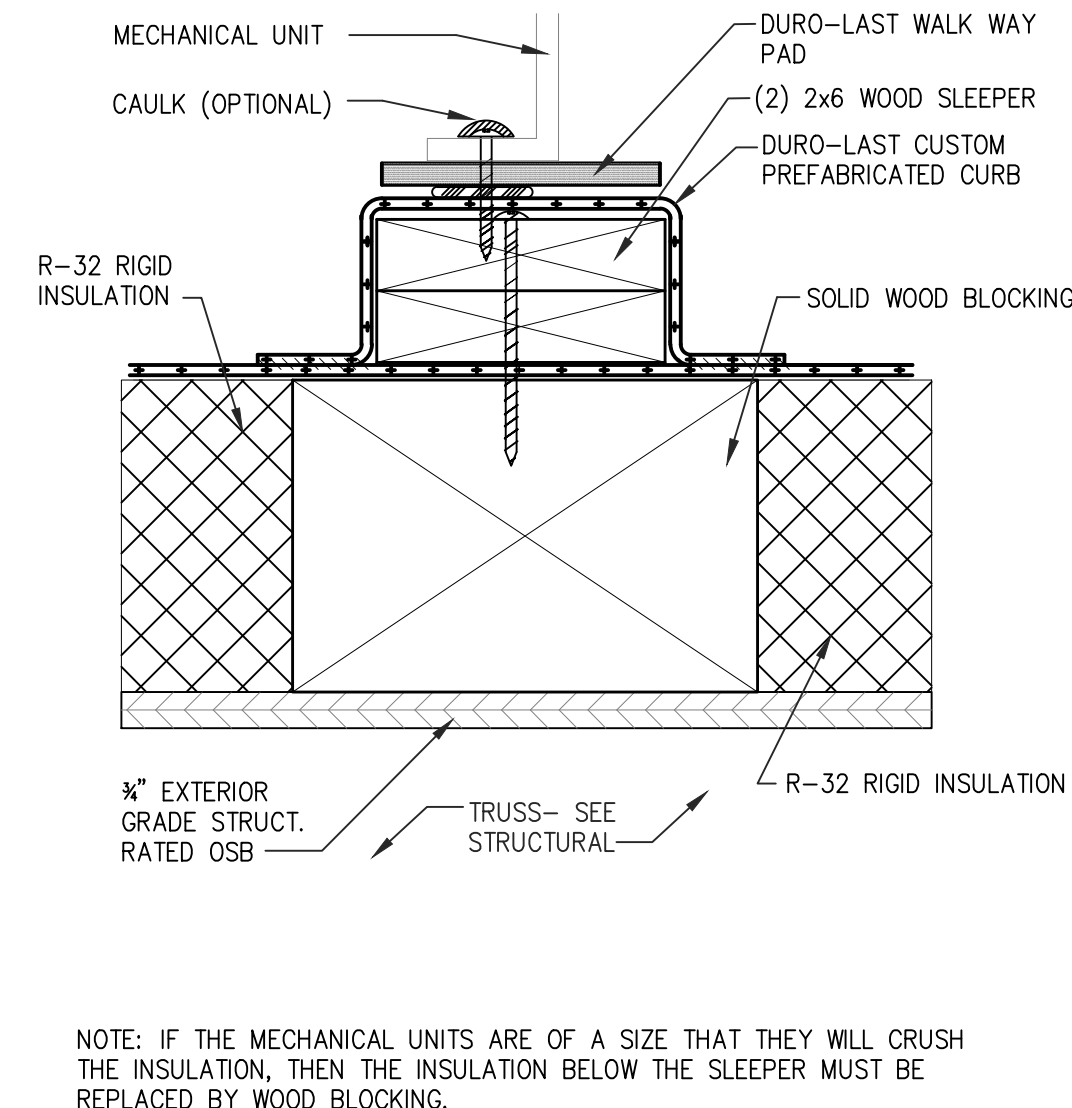
**ROOF PLAN**

**GENERAL NOTES**

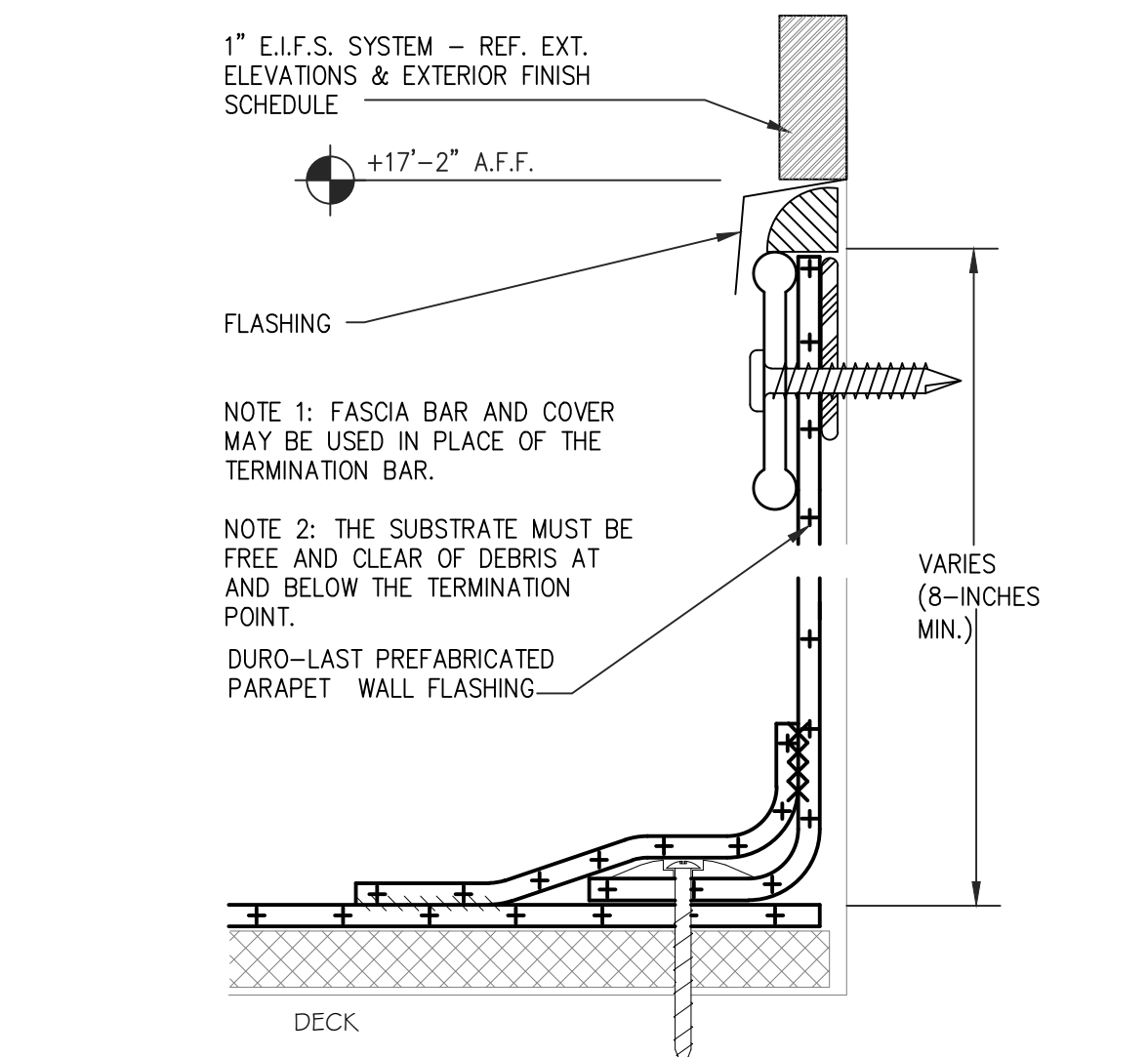
- THIS PLAN IS DRAWN FOR A TRANE HVAC SYSTEM. COORDINATE ALL ROOF OPENINGS W/HVAC CONTRACTOR. PROVIDE CONTINUOUS SHIMS TO LEVEL.
  - MIN. ROOF SLOPE SHALL BE 1/4" PER 1'-0".
- MINIMUM ROOF AND WALL DESIGN LOADS:  
 A. SEE STRUCTURAL SHEETS FOR ALL LOADING AND WIND SPEED INFORMATION.  
 B. EQUIPMENT LOADS: FOR ROOF MOUNTED EQUIPMENT NOT SHOWN SEE DWG. M-1.

**KEY NOTES**

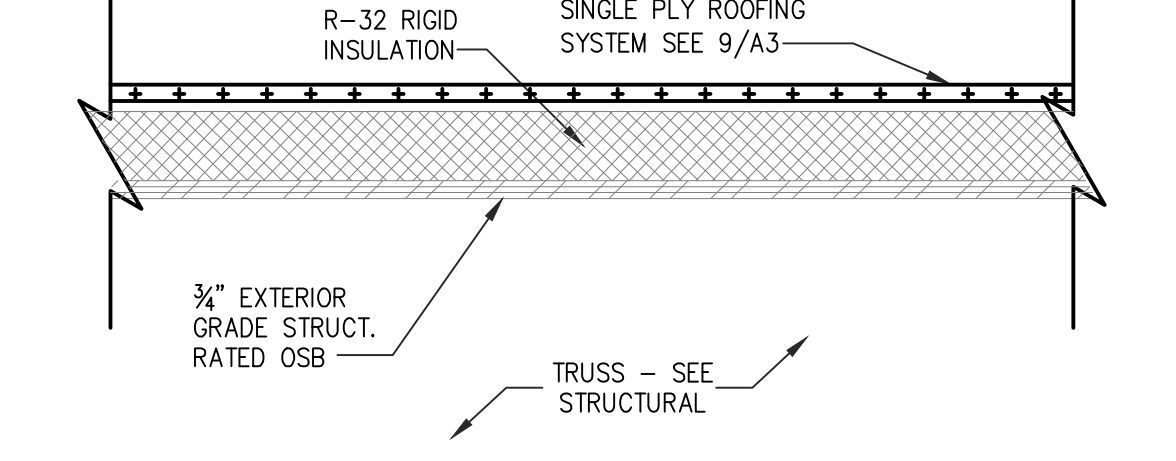
- PROVIDE 2 - 2x8 BLOCKING AROUND ALL ROOF DECK OPENINGS & UNDER ROOF CURBS, ROOF DRAINS, ETC. - SEE STRUCTURAL DRAWINGS.
- CONTRACTOR SHALL COORDINATE FRAME SIZE WITH EQUIPMENT DETAILS
- PROVIDE BLOCKING AT DUCT OPENINGS & BELOW ROOF CURBS, SEE STRUCTURAL DRAWINGS.
- OVEN EXHAUST FAN - SEE MEP DRAWINGS
- PREFINISHED METAL AWNINGS PROVIDED AND INSTALLED BY OWNER - SEE REFLECTED CLG. PLAN, EXTERIOR ELEVATIONS & STRUCTURAL DRAWINGS. SEPARATE PERMIT & APPROVAL BY MANUFACTURER
- 4" DURO-LAST ROOF DRAIN, FURNISHED AND INSTALLED BY ROOF CONTRACTOR. DRAIN PIPE PROVIDED AND INSTALLED BY PLUMBER. REF. PLUMBING DWGS FOR ADDITIONAL INFORMATION.
- CHAIN BROILER EXHAUST FAN - SEE MEP DRAWINGS
- FRYER / GRIDDLE EXHAUST FAN - SEE MEP DRAWINGS
- ICE MACHINE CONDENSER - SEE MEP DRAWINGS
- TOILET EXHAUST FAN - SEE MEP DRAWINGS
- HVAC UNIT - SEE MEP DRAWINGS
- ROOF TOP YARD HYDRANT - SEE MEP DRAWINGS
- NOT USED
- 4" OVERFLOW SCUPPERS, PIPING AND OUTLET PROVIDED AND INSTALLED BY ROOFING CONTRACTOR. BOTTOM INSTALLED 4" MAX. ABOVE ROOF DRAIN INLET ELEVATION. REF. PLUMBING DWGS. FOR ADDITIONAL INFORMATION.
- FREEZER/COOLER CONDENSER UNIT - COORDINATE EXACT LOCATION W/ FREEZER/ COOLER MANUFACTURER - SEE MEP DRAWINGS



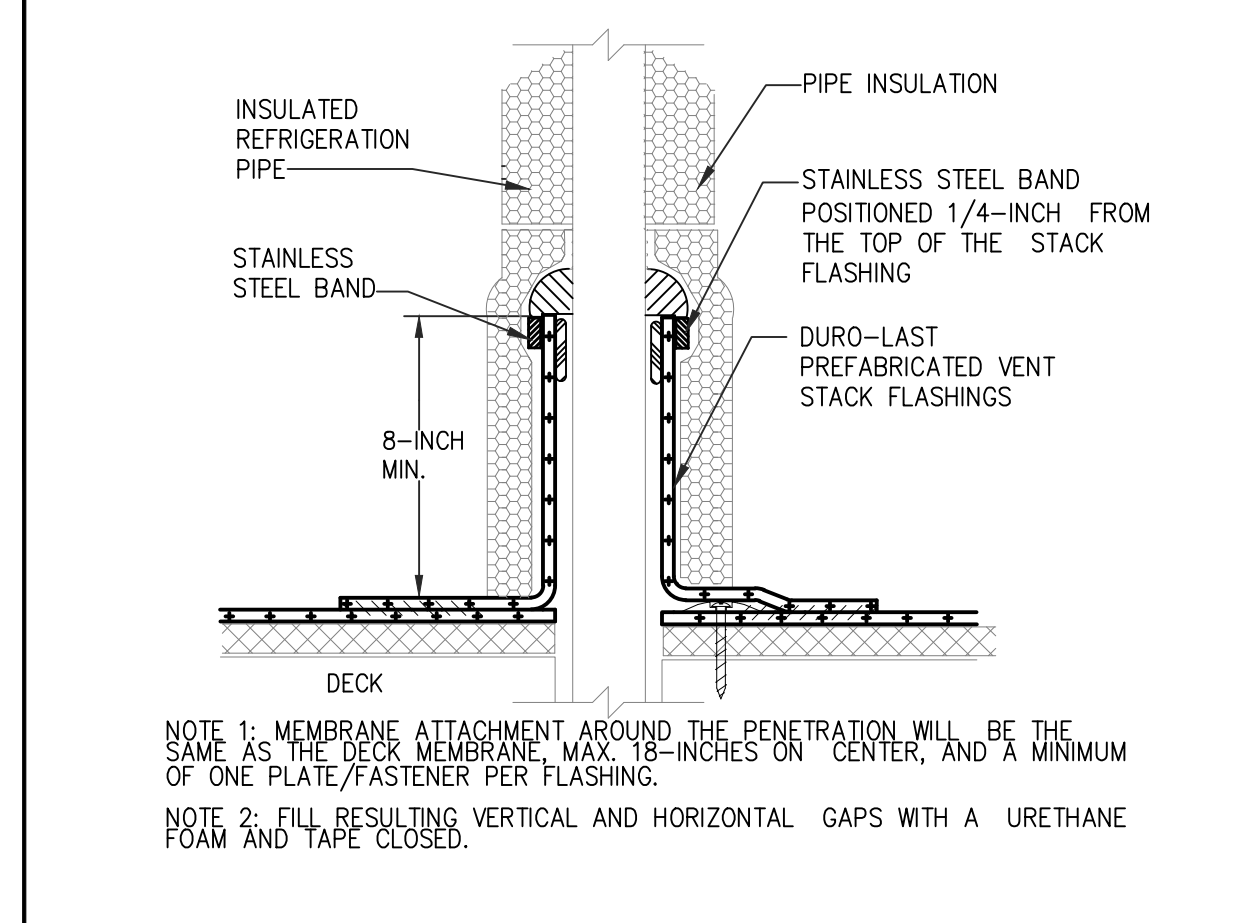
TYP. COMP. RAIL DETAIL N.T.S. 5



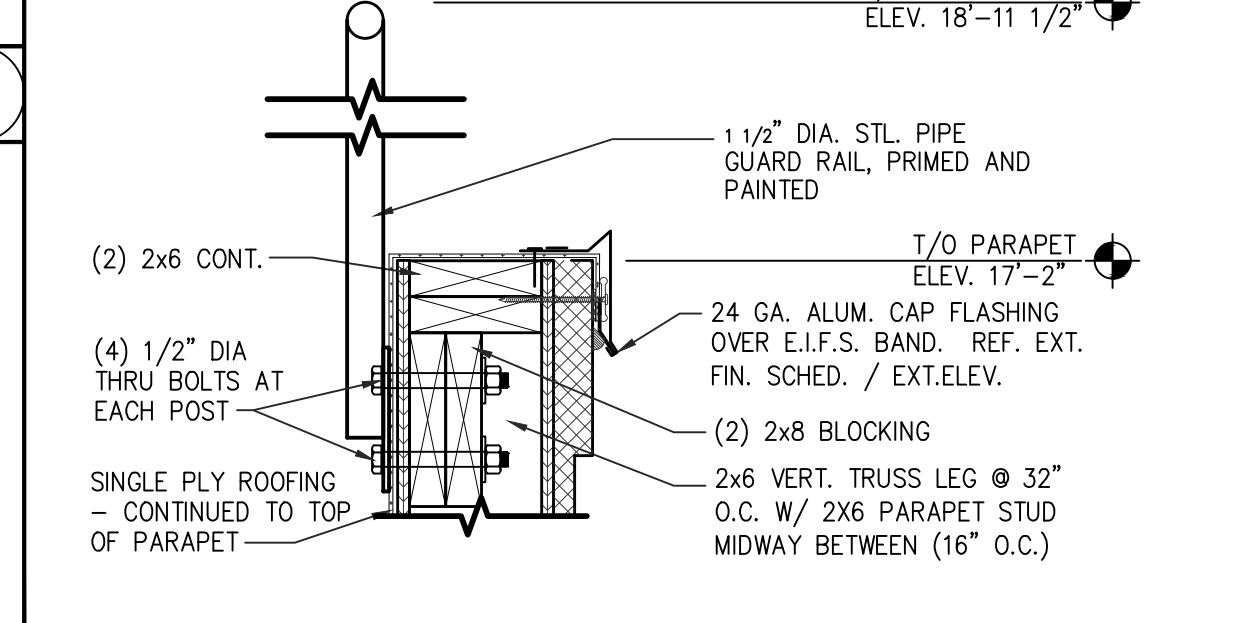
TYP. INSIDE WALL TERMINATION N.T.S. 6



TYP. ROOF CONSTRUCTION N.T.S. 7



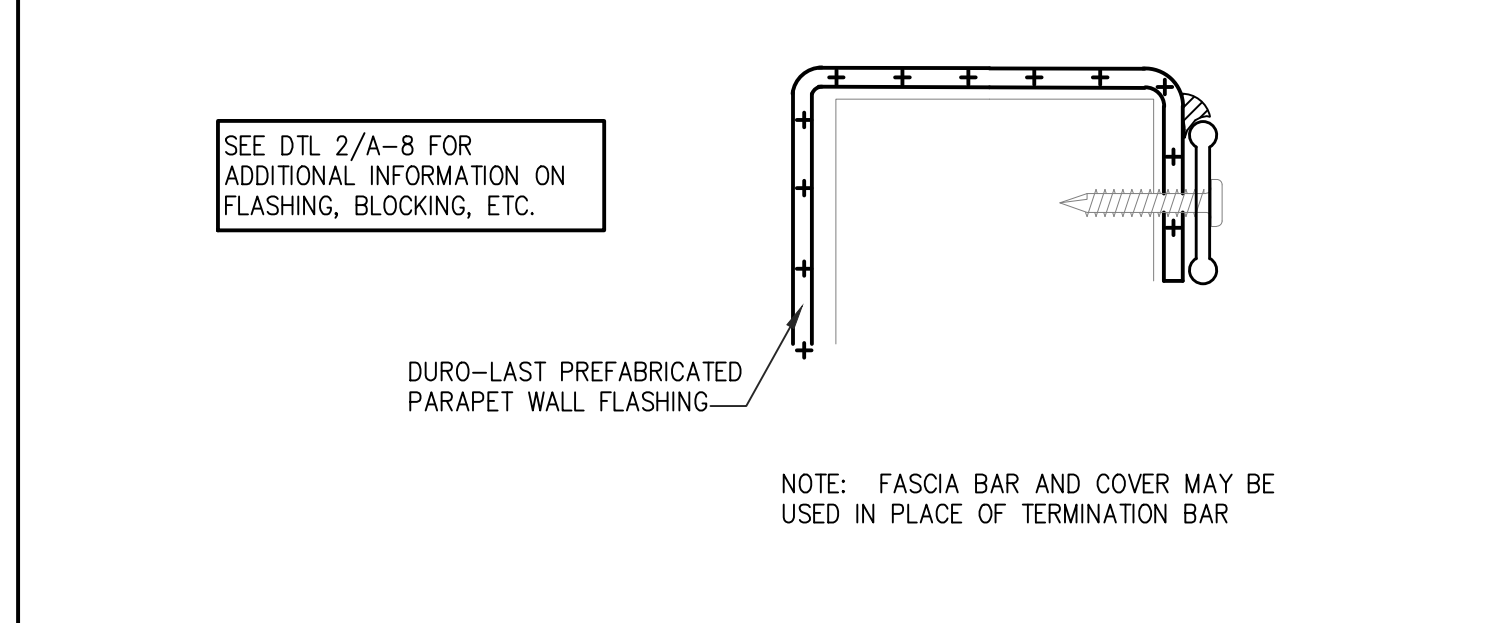
TYP. INSULATED REFER. PIPE N.T.S. 8



GUARDRAIL DETAIL N.T.S. 10

- ROOFING SPECIFICATIONS**
- ROOF MEMBRANE SYSTEM: VINYL CHLORIDE POLYMER-BASED POLYMER BLEND REINFORCED WITH HIGH STRENGTH, 14 X 18 PATTERN, WEFT INSERTED, POLYESTER SCRIM. MEMBRANE SHALL INCLUDE UV STABILIZERS, UV ABSORBERS, PLASTICIZERS, HEAT STABILIZERS, FLAME RETARDANTS, LUBRICANTS, AND BIOCIDES. DURO-LAST SINGLE-PLY 0.040 IN. THICK WHITE ROOF MEMBRANE BY DURO-LAST ROOFING, INC.; 525 MORLEY DRIVE SAGINAW, MI 48601; PHONE 800 248-0280.
  - ROOF INSULATION: URETHANE RIGID BOARD, URETHANE/PERLITE COMPOSITE BOARD, FIBERGLASS BOARD, FOAMGLASS BOARD, PERLITE BOARD OR POLYSTYRENE WITH AN R-32 VALUE, APPROVED FOR CONSTRUCTION OF CLASS A ROOF COVERINGS.
  - WALKWAY PADS: DURO-LAST "ROOF TRAC III" 0.135 IN. THICK; 30"x60" SIZE; COLOR/WHITE; 2 SAFETY YELLOW SKIRTS ALONG 60" SIDES.
  - G.C. SHALL PROVIDE AND INSTALL COMPLETE ROOF SYSTEM w/INSULATION.

ROOFING SPECIFICATIONS N.T.S. 9



TYP. OUTSIDE WALL TERMINATION - OVER PARAPET N.T.S. 11

NRD Project # 19187

**NRD** national restaurant designers  
 ARCHITECTS & ENGINEERS

3005 CARRINGTON MILL BLVD. SUITE 150  
 MORRISVILLE, NORTH CAROLINA 27560  
 PH: 919-394-7251 FAX: 919-344-9399  
 A Division of LMR Associates

REGISTERED ARCHITECT  
 13698  
 NORTH CAROLINA  
 MORRISVILLE, NC

**Hardee's**  
 CHARACTERS IN PROTECTION

HARDEE'S STANDARD PROTOTYPE  
 NC HWY 87 & BUFFALO RD.  
 CAMERON, NC 28520

**BODDE-NOELL ENTERPRISES, INC.**  
 P.O. BOX 1908  
 ROCKY MOUNT, NC  
 27802-1908  
 (252) 967-2800

**OWNER**  
**BE**

NO.	DATE	DESCRIPTION
1	3/13/20	
2	3/24/20	

REVISIONS

NO. 1  
 CITY COMMENTS  
 BONE IN. CRICKEN

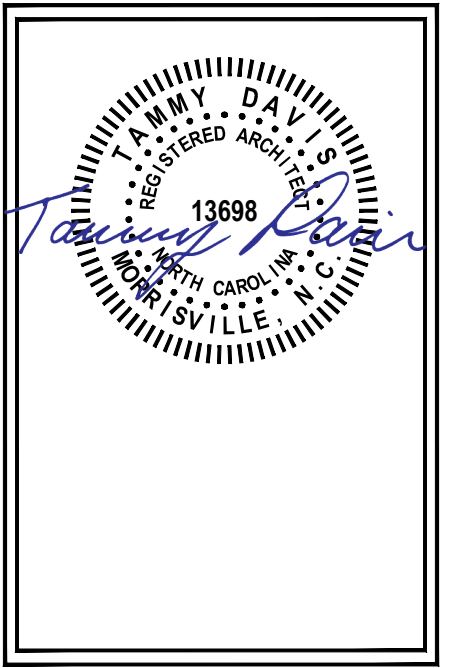
DRAWN BY  
 CHECKED BY

DATE: 01-31-2020

SHEET NUMBER:  
**A-3.0**

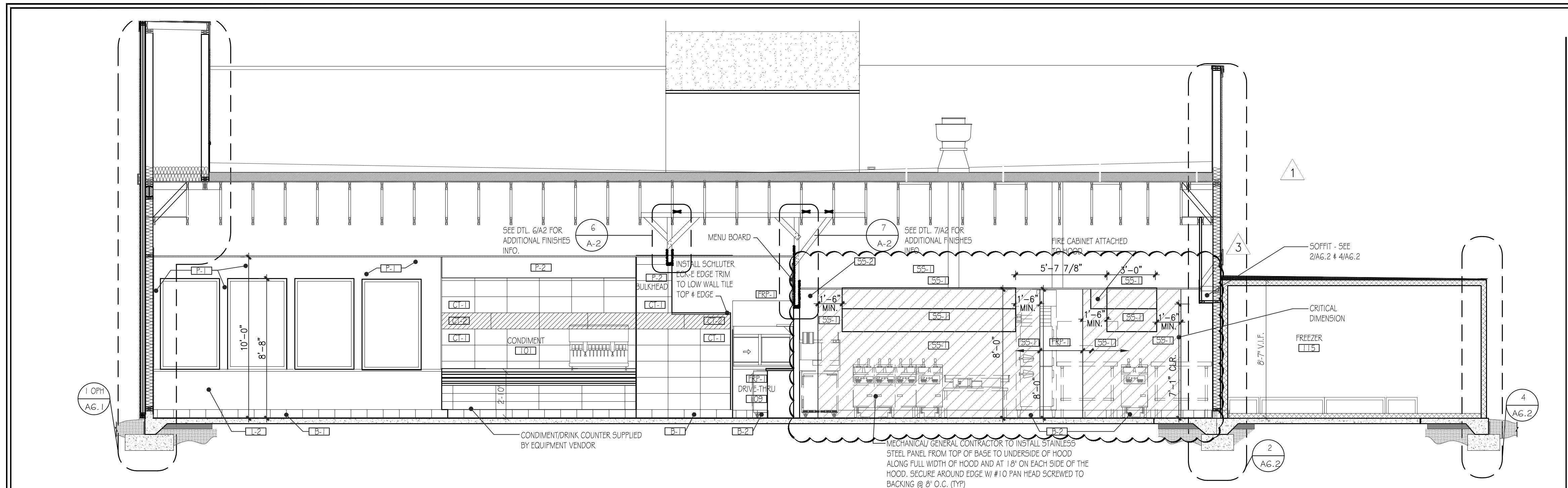
19187\_A3.0.dwg Sep 25, 2020 1:12pm





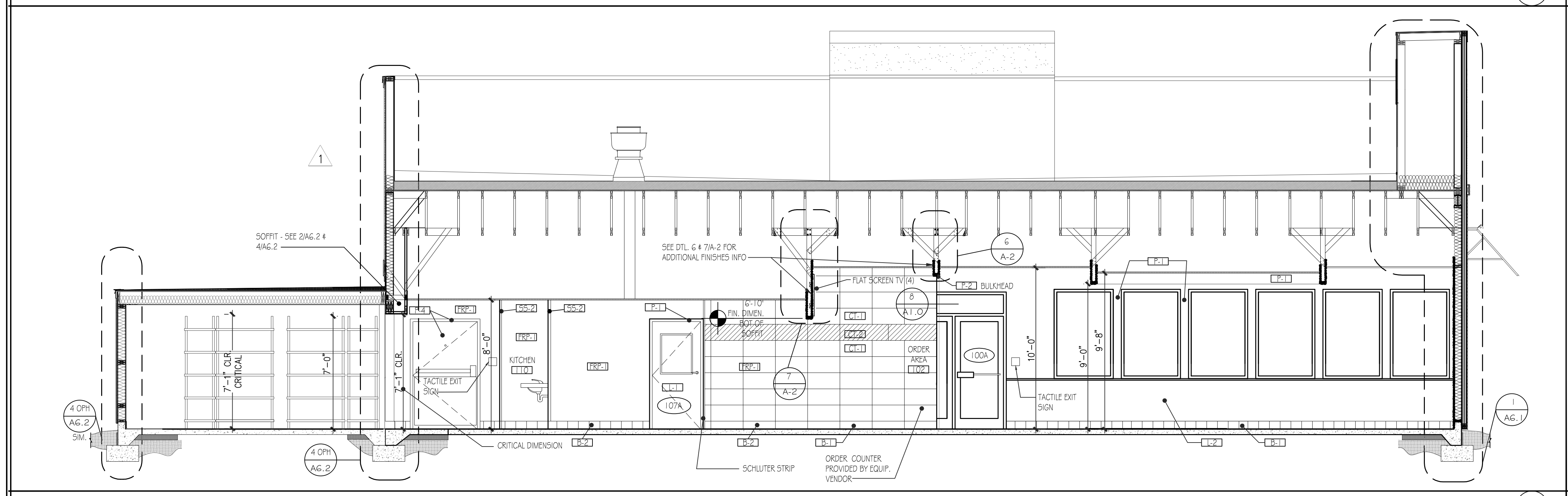
**BODDE-NOELL**  
ENTERPRISES, INC.  
P.O. BOX 1908  
ROCKY MOUNT, N.C.  
27802-1908  
(252) 967-2800

**OWNER**  
**BN**



INTERIOR ELEVATION / BLDG. SECTION

SCALE: 1/4" = 1'-0" 1



INTERIOR ELEVATION / BLDG. SECTION

SCALE: 1/4" = 1'-0" 2

1. GENERAL NOTES:  
2. REFER TO SHEET A1.1 FOR INTERIOR FINISHES & LOCATION MARKERS.  
REFER TO SHEET QF100 FOR EQUIPMENT INFORMATION.

NO.	DESCRIPTION	DATE
1	CITY COMMENTS	3/13/20
3	BONE IN CHICKEN	9/24/20

DRAWN BY: CHECKED BY:

INTERIOR ELEVATIONS / SECTIONS

DATE: 01-31-2020

SHEET NUMBER:

A-5.1

NOTES

3

This document contains confidential information, is an instrument of a professional service, and the property of TriMark. It shall not be used on other projects or for the extension of this project without TriMark's written approval.

Owner and all Contractors to check and verify existing dimensions and conditions in the field before starting construction and to notify TriMark of any material or detail changes.

**REVISIONS**

DATE	NO.	DESCRIPTION

**Hardee's**  
Cameron, NC  
Preliminary - For Reference Only

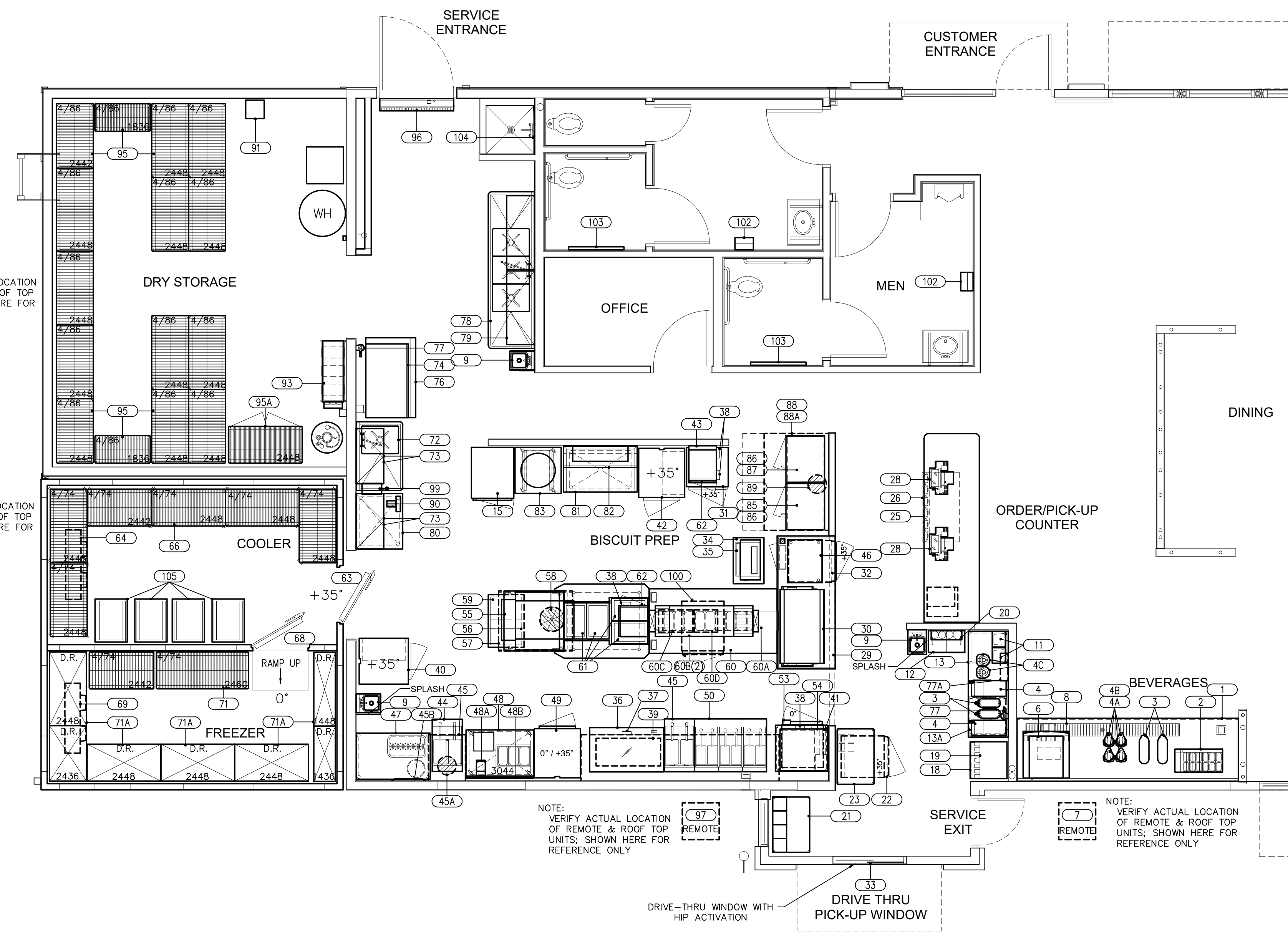
PROJECT NUMBER:	<b>20-024</b>
DATE:	9-22-2020
SCALE:	1/4" = 1'-0"
DRAWN BY:	JW/WB
APPROVED BY:	RJ/CN

SHEET TITLE:  
**FOODSERVICE EQUIPMENT LAYOUT**

SHEET NUMBER:  
**QF101**

**FOODSERVICE EQUIPMENT SCHEDULE**

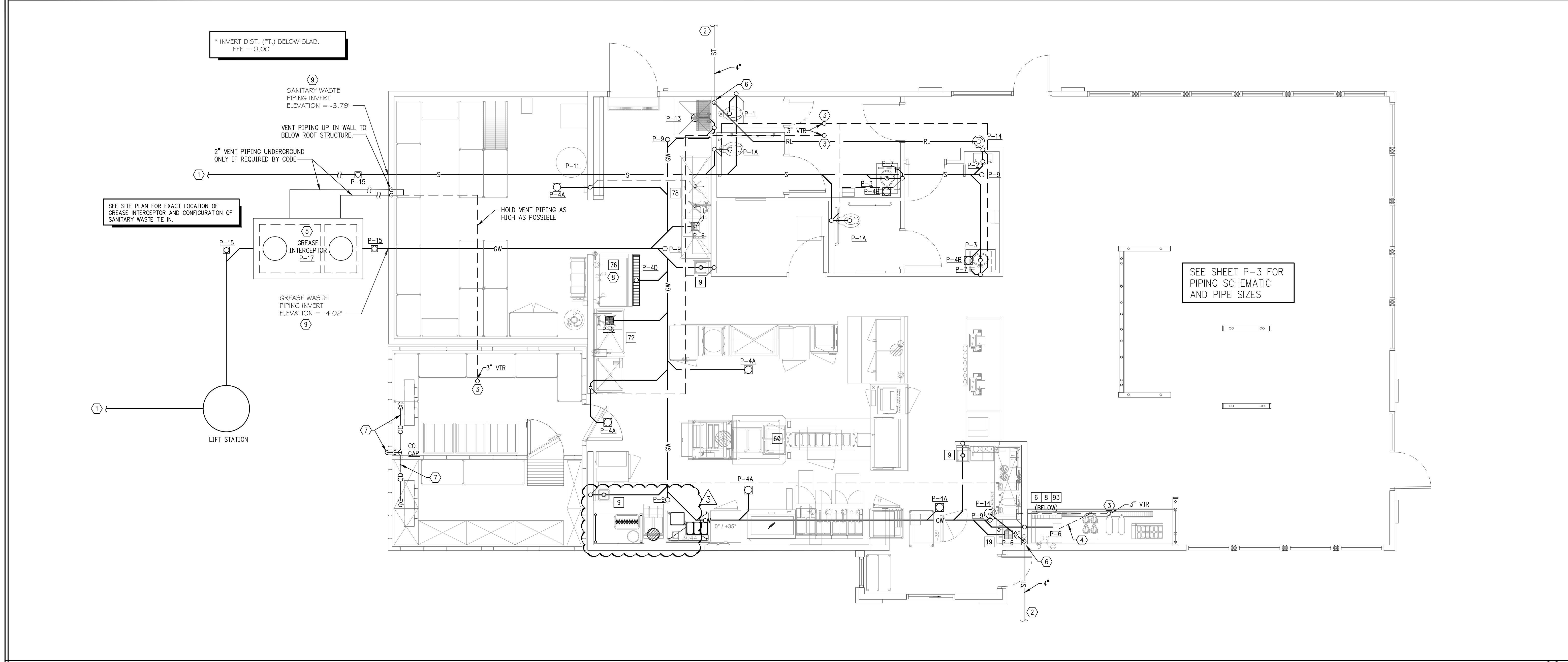
TAG	QTY	EQUIPMENT DESCRIPTION
1	1	BEVERAGE COUNTER
2	1	CONDIMENT HOLDER
3	6	TEA DISPENSER (4 SHOWN)
4	2	TEA/COFFEE BREWER
4A	4	COFFEE SERVER
4B	1	SERVER RACK
4C	4	THERMAL SERVER (2 SHOWN)
5	-	-SPARE NUMBER-
6	1	ICE CUBE MAKER
7	1	ICE MAKER REMOTE CONDENSER
8	1	BEVERAGE BAR ICE/SODA
9	3	HAND SINK
10	-	-SPARE NUMBER-
11	2	DRINK MIXER
12	1	ICE CREAM FREEZER
13	1	5/S TOP SHAKE TABLE
13A	6	CUP DISPENSER
14	-	-SPARE NUMBER-
15	1	HOLDING CABINET
16	-	-SPARE NUMBER-
17	-	-SPARE NUMBER-
18	1	5/S DROP IN STAND
19	1	DRIVE THRU ICE/SODA
20	1	SYRUP RAIL
21	1	STORAGE SHELVING W/SOLID TOP SHELF
22	1	UNDERCOUNTER COOLER
23	1	STORAGE SHELVING W/SOLID TOP SHELF
24	-	-SPARE NUMBER-
25	1	FRONT SERVICE COUNTER
26	1	CUP DISPENSER
27	-	-SPARE NUMBER-
28	2	POS STATION W/PRINTER
29	1	TRANSFER TABLE
30	1	SANDWICH HOLDING BIN
31	1	UNDERCOUNTER REFRIGERATOR
32	1	UNDERCOUNTER COOLER
33	1	DRIVE-THRU WINDOW
34	1	TOASTER TABLE
35	1	CONVEYOR TOASTER
36	1	GRIDDLE W/STAND
37	1	TIMER
38	4	TIMER
39	1	FRY RACK STATION
40	1	UNDERCOUNTER REFRIGERATOR
41	1	5/S TOP WORK TABLE
42	1	REACH-IN REFRIGERATOR
43	1	MICROWAVE SHELF
44	2	FRYER
45	1	EXHAUST HOOD
45A	1	EXHAUST FAN
45B	3	FRY BASKET HANGER
46	1	CHICKEN HOLDING BIN
47	1	BREAKING STATION
48	1	TENDERS TABLE
48A	1	1/2 PAN HOLDER
48B	1	CLIPBOARD RACK
49	1	DUAL TEMP REFRIGERATOR/FREEZER
50	1	FRYER BATTERY
51	1	EXHAUST HOOD
52	1	EXHAUST FAN (ON ROOF)
53	1	UNDERCOUNTER FREEZER
54	1	FRENCH FRY WARMER
55	1	5/S TOP BROILER STAND
56	1	CHAIN BROILER
57	1	EXHAUST HOOD
58	1	EXHAUST FAN (ON ROOF)
59	1	SLIDE TOP FREEZER CABINET
60	1	MAKE UP TABLE ASSEMBLY
60A	1	PAPER WRAP HOLDER
60B	2	HOLDING CABINET
60C	1	HOLDING CABINET
60D	1	BISCUIT HOLDING CABINET
61	4	HOT FOOD WELL
62	2	MICROWAVE OVEN
63	1	WALK-IN COOLER
64	1	MED TEMP EVAPORATOR COIL
65	1	MED TEMP REMOTE CONDENSER
66	6	COOLER STORAGE SHELVING
67	-	-SPARE NUMBER-
68	1	WALK-IN FREEZER
69	1	LOW TEMP EVAPORATOR COIL
70	1	LOW TEMP REMOTE CONDENSER
71	2	FREEZER STORAGE SHELVING
71A	7	FREEZER DUNNAGE SHELVING
72	1	ONE COMPARTMENT PREP SINK
73	4	WALL MOUNTED WIRE SHELF
74	1	ICE CUBE MAKER
75	1	REMOTE CONDENSER
76	1	ICE STORAGE BIN
77	2	WATER FILTER
77A	1	TWIN MANIFOLD
78	1	3 COMPARTMENT POT/PAN SINK
79	2	SMART WALL/WALL SHELVING
80	1	5/S TOP WORKTABLE
81	1	5/S TOP BAKER'S TABLE
82	1	BISCUIT FLOUR HOOD
83	1	BISCUIT BOWL MIXING TABLE
84	-	-SPARE NUMBER-
85	1	CONVECTION OVEN
86	2	5/S OVEN STAND
87	1	CONVECTION OVEN
88	1	EXHAUST HOOD
88A	1	HOOD SIDE PANEL
89	1	EXHAUST FAN (ON ROOF)
90	1	SLICER
91	1	EMPLOYEE LOCKERS
92	-	-SPARE NUMBER-
93	1	SODA RACK/SYSTEM
94	3	BUN PAN RACK (NOT SHOWN)
95	1	LOT DRY STORAGE SHELVING
95A	1	SECURE STORAGE
96	1	INSECT CONTROL FAN
97	1	SUPPLY FAN UNIT (ON ROOF)
98	1	RESTROOM EXHAUST FAN (NOT SHOWN)
99	1	HOT WATER DISPENSER
100	1	U.C. REACH-IN REFRIGERATOR
101	2	SNUFFER (NOT SHOWN)
102	2	HAND DRYER
103	2	CHANGING STATION
104	1	WALL GRID PANEL
105	4	WET FOOD DOLLY



**FOODSERVICE EQUIPMENT PLAN**  
SCALE: 1/4" = 1'-0"

ALL DRAWINGS PROVIDED BY TRIMARK FOODCRAFT DEPICT THE LAYOUT OF THE FOODSERVICE EQUIPMENT AND THEIR SUBSEQUENT POWER, GAS AND WATER REQUIREMENTS TO OPERATE PROPERLY. FOODSERVICE DRAWINGS ARE DESIGNED TO SUPPLEMENT THE OFFICIAL ARCHITECT'S STAMPED AND SEALED DRAWINGS AND ARE NOT MEANT TO REPLACE THEM OR BE USED IN LIEU OF THEM FOR ANY CONSTRUCTION PURPOSES NOT RELATED TO FOODSERVICE EQUIPMENT. THE DRAWINGS ARE DESIGNED TO BE SUBMITTED FOR HEALTH DEPARTMENT APPROVAL AND PERMITTING AND ARE NOT INTENDED TO BE SUBMITTED FOR CONSTRUCTION PERMITTING.

NO.	REVISIONS	DATE
1	DATE	3/24/20
2	DESCRIPTION	
3	BY	BONE IN CHICKEN
4	CHECKED BY	



**SOIL, WASTE AND VENT PLUMBING PLAN**

SCALE: 1/4" = 1'-0" 1

**FIXTURE DFU VALUES**

MARK	DESCRIPTION	WASTE	DFU	QTY	SUBTOTAL
P-1	WATER CLOSET - FLUSH VALVE	3"	4	1	4
P-1A	WATER CLOSET - FLUSH VALVE	3"	4	2	8
P-2	URINAL - FLUSH VALVE	2"	4	1	4
P-3	LAVATORY - TOILET AREAS	1 1/2"	1	2	2
P-4A	FLOOR DRAIN - KITCHEN AREAS	3"	2	3	6
P-4B	FLOOR DRAIN - STORAGE AREA	3"	2	1	2
P-4B	FLOOR DRAIN - RESTROOMS	3"	2	2	4
P-4D	TRENCH DRAIN	4"	2	1	2
P-6	FLOOR SINK	3"	5	4	20
P-13	UTILITY SINK	3"	5	1	5
9	HAND WASH - KITCHEN AREAS	2"	1	3	3
TOTAL					60+

**PLUMBING LEGEND**  
 NOTE: NOT ALL SYMBOLS MAY APPEAR ON THESE DRAWINGS

FW	FILTERED WATER PIPING (FW)
CW	COLD WATER HARD PIPING (CW)
CW	FLEXIBLE COLD WATER PIPING (CW)
T	TEMPERED WATER PIPING (T)
T	FLEXIBLE TEMPERED WATER PIPING (T)
HW	HOT WATER PIPING (HW)
HW	FLEXIBLE HOT WATER PIPING (HW)
S	WASTE/SANITARY PIPING (SAN)
GW	GREASE PIPING (GW)
	VENT PIPING
CD	CONDENSATE PIPING (CD)
	INDIRECT WASTE PIPING (IW)
○	CLEAN-OUT FINISH GRADE
○	CLEAN-OUT FINISH FLOOR
⊕	WALL CLEANOUT
⊙	VENT THRU ROOF (VTR)
⊕	FLOOR DRAIN (FD)
⊙	ROOF DRAIN (RD)
⊕	FLOOR SINK (FS)
○	BALL SHUTOFF VALVE
DFU	DRAINAGE FIXTURE UNIT
A.F.G.	ABOVE FINISH GRADE
⊕	VACUUM BREAKER
RL	ROOF LEADER
ST	STORM PIPING

**PLUMBING FIXTURE SCHEDULE**  
 NOT ALL FIXTURES MAY BE USED.

P-1 WATER CLOSET:	AMERICAN STANDARD NO. 2385-100 "MADERA", UNIVERSAL HEIGHT, OR KOHLER #K-4350 "WELLCOMME", WHITE VITREOUS CHINA; WITH OLSONITE #95 ELONGATED, WHITE, OPEN FRONT, NO COVER SEAT, 3240 STAINLESS HINGE WITH CHECK; 481310-100 BOLT CAPS; SLOAN ROYAL #111 FLUSH VALVE
P-1A WATER CLOSET: (HANDICAPPED)	AMERICAN STANDARD NO. 2385-100 "MADERA", UNIVERSAL HEIGHT OR KOHLER #K-4368 "HIGHCLIFF", WHITE VITREOUS CHINA; WITH OLSONITE #95 ELONGATED, WHITE, OPEN FRONT, NO COVER SEAT, WITH SELF SUSTAINING HINGE; 481310-100 BOLT CAPS; SLOAN ROYAL #111 FLUSH VALVE.
P-2 URINAL:	AMERICAN STANDARD NO. 6590-503 "WASHBROOK", ULTRA HIGH EFFICIENCY @125 GPF, WALL HUNG, WHITE VITREOUS CHINA, ELONGATED RIM, WASHOUT FLUSHING ACTION, (2) WALL HANGERS INCLUDED, NO. 6590-001 UNIVERSAL TOP SPUD, #186-1 FLUSH VALVE.
P-3 LAVATORY:	COUNTERTOP/LAVATORY BASIN, PROVIDED BY OWNER. FAUCET: DELTA MODEL 500-DST. SINGLE HANDLE FAUCET, POLISHED CHROME FINISH, FLOW CONTROL AERATOR, 4" CENTERS, GRID DRAIN 1-1/2" CAST BRASS "P" TRAP. SUPPLY AND INSTALL PLUMEX #3011 WHITE-DRAIN INSULATOR.
P-4A FLOOR DRAIN:	PLASTIC ODDITIES MODEL PHD844, 3" SIZE, HEAVY DUTY PVC BODY, SP-8PB POLISHED BRONZE STRAINER. MOUNT FLUSH WITH FINISHED FLOOR
P-4B FLOOR DRAIN:	PLASTIC ODDITIES MODEL PHD844, 3" SIZE, HEAVY DUTY PVC BODY, SP-8PB POLISHED BRONZE STRAINER. TRAP PRIMER CONNECTION. MOUNT FLUSH WITH FINISHED FLOOR
P-4C DUMPSTER DRAIN:	SMITH 2220-H AS INDICATED AT TRASH ENCLOSURE ONLY. MOUNT FLUSH WITH FINISHED
P-4D TRENCH DRAIN:	SMITH ACO MODEL 9814, PRECAST POLYMER CONCRETE, ONE #9814-100-9 CHANNEL AQND ONE #9814-100-010 UNIT. CLOSED END CAPS, 4" BOTTOM POTILE, OUTLET STRAINER COVER WITH THREE, 1/2 METER #9870-450-SS, SLOTTED STAINLESS STEEL GRATES.
P-5 TEMPERING VALVE:	SUPPLIED WITH REMOVABLE PISTON AND THERMAL MOTOR, SEPARATE CHECK STOPS, ROUGH BRONZE FINISH INSTALL IN SUPPLY PIPING WHERE INDICATED. SET TEMPERATURE AS INDICATED IN SCHEMATIC. SEE MIXING VALVE PIPING SCHEMATIC, DETAIL 3, SHEET P2 FOR MORE INFORMATION.
P-6 FLOOR SINK:	PLASTIC ODDITIES MODEL PBH300H, 3" SIZE, 14" SQ. TOP FLOOR SINK W/ 1/2, 3/4 OR FULL GRATE AS INDICATED. PROVIDE WITH ALUMINUM BEEHIVE STRAINER.
P-7 WALL CLEANOUT:	PLASTIC ODDITIES MODEL SSA300, 3" SIZE, STAINLESS STEEL ACCESS WALL COVER.
P-8 ROOFTOP POST HYDRANT:	WOODFORD MODEL RHY2, FREEZELESS. 1" CW CONN. PIPE DRAIN OUTLET TO NEAREST FLOOR SINK. INSTALL PER MANUFACTURER'S RECOMMENDATIONS.
P-9 CLEANOUT:	PLASTIC ODDITIES MODEL PC0700, 4" SIZE WITH 6" SCORRIATED BRASS COVER.
P-10 YARD HYDRANT:	WOODFORD MODEL Y95, FREEZELESS. 3/4" CW CONN. W/ANTI-SIPHON VACUUM BREAKER, TEE KEY. BURY DEPTH AS REQUIRED. INSTALL PER MANUFACTURER'S RECOMMENDATIONS.
P-11 WATER HEATER:	STATE MODEL CSB-82-24 IFE COMMERCIAL WATER HEATER, 24 KW, 98 GPH RECOVERY @ 100°F RISE, 80 GALLON STORAGE, 59.5" TALL, 25.5" DIA, 31" TOTAL DEPTH WITH CONTROLS. MEETS OR EXCEEDS AND/OR STANDBY LOSS REQUIREMENTS OF THE U.S. DEPT. OF ENERGY AND CURRENT ASHRAE/ESNA 90.1.
P-12	NOT USED.
P-13 UTILITY SINK:	FIAT TERRAZZO 6" MOP SERVICE BASIN MODEL SDC3636. STAINLESS STEEL STRAINER MODEL #1453BB FAUCET: T & S BRASS FAUCET B-0655-BSTR, VACUUM BREAKER IN SPOUT, SCREWDRIIVER STOPS IN SHANKS, ROUGH CHROME FINISH. NOTE: VERIFY ACTUAL SPECIFICATION WITH OWNER PRIOR TO ORDERING.
P-14 ROOF DRAIN:	SMITH FIG. 1010-E WITH CAST IRON BODY AND POLYETHYLENE DOME.
P-15 EXT. CLEANOUT:	PLASTIC ODDITIES MODEL PCA4BP, 4" SIZE WITH RECESSED HEAD BRASS PLUG INSTALLED IN AN END-OF-LINE HUB EXTERIOR CLEANOUTS SHALL BE PROVIDED WITH BROOKS NO. 3-RT OPEN BOTTOM CONCRETE BOX WITH STEEL FRAME AND TRAFFIC COVER WITH THE WORD "SEWER" CAST IN COVER.
P-16 OPEN RECEPTACLE	JAY R. SMITH 2646 STRAIGHT SPIGOT ADAPTOR WITH TOP AT 4" AFF OR AS REQUIRED BY CODE. SUBSTITUTE OPEN RECEPTACLE FOR FLOOR SINK WHERE PERMITTED BY CODE.
P-17 GREASE INTERCEPTOR:	1500 GALLON CAPACITY, PRECAST CONCRETE GREASE INTERCEPTOR PURCHASED FROM LOCAL PRECAST SUPPLIER. INSTALL PER CODE. PROVIDE VENTING FROM INTERCEPTOR COMPARTMENTS THRU ROOF IF REQUIRED BY CODE. TRAFFIC RATED (IF IN PARKING LOT). ALTERNATE VENTING METHODS AND/OR SAMPLING WELL MAY BE REQUIRED. VERIFY.

- SHEET NOTES**
- SITE UTILITY CONTRACTOR SHALL INSTALL ALL SANITARY PIPING FROM EXTERIOR OF BUILDING TO SANITARY MAIN. PLUMBING CONTRACTOR SHALL COORDINATE WITH SITE UTILITY CONTRACTOR AS REQUIRED.
  - SEE SITE UTILITY DRAWINGS FOR CONTINUATION.
  - EXTEND SANITARY VENT THROUGH THE ROOF PER CODE. FIELD VERIFY EXACT LOCATION PRIOR TO ROOF PENETRATION. MAINTAIN A MINIMUM OF 10'-0" FROM VTR TO ANY OUTSIDE AIR OR FRESH AIR INTAKE.
  - 1/2" PVC (IF PERMITTED BY CODE) INDIRECT WASTE HEADER PIPING AT REAR OF CABINET WITH 3/4" PVC DRAIN PIPING FROM INDIVIDUAL DRINK/ICE DISPENSERS AND DRAIN TROUGHS. MOUNT AT REAR OF CABINET, 12"(MIN.) ABOVE CABINET FLOOR. INSTALL 1/2" INSULATION AROUND DRAIN PIPING FROM ICE/COLD BEVERAGE DISPENSERS AND DRAIN TROUGHS. INSTALL PIPING WITH POSITIVE SLOPE TO DRAIN. MAINTAIN CODE APPROVED AIR GAP ABOVE DRAIN.
  - SEE SITE UTILITY DRAWINGS FOR EXACT LOCATION OF GREASE INTERCEPTOR.
  - 4" ROOF LEADER DOWN IN WALL FROM ABOVE CEILING. INSULATE ALL HORIZONTAL ROOF LEADER PIPING TO PREVENT CONDENSATION FROM FORMING ON PIPING. SEE SHEET P4.
  - 1" TRAPPED COPPER PIPING FROM COOLER/FREEZER CONDENSING COILS. PROVIDE AND INSTALL HEAT TRACE TAPE (10 W/LIN. FT.) ON PIPING WITHIN FREEZER. SLEEVE AND SEAL THRU COOLER/FREEZER WALL AT 12" ABOVE FINISHED GRADE OVER SPLASH BLOCK. TURN DOWN TO 6" (MIN.) ABOVE GRADE. PROVIDE INSECT/VERMIN SCREEN AT OPEN END OF PIPE.
  - P.C. SHALL ROUTE ICE MACHINE DRAINS, SECURE ALONG WALL, AND DRAIN INDIRECTLY OVER FLOOR SINK, UNDERNEATH PREP SINK, WITH AIR GAP TWICE THE DIAMETER OF THE DRAIN PIPE (2" MIN.). ALL PIPING MUST MAINTAIN 1/8" IN PER FOOT SLOPE.
  - P.C. SHALL VERIFY THE SANITARY AND GREASE INVERTS BEFORE THE START OF ANY WORK.

\* TOTAL MAY VARY AS REQUIRED PER CODE. VERIFY DFU VALUES.

IF ANY DISCREPANCIES ARE FOUND ON THE PLANS, THE PLUMBING CONTRACTOR SHALL BID THE MORE CONSERVATIVE SPECIFICATION AND CALL ENGINEER FOR CLARIFICATION.

WHILE EVERY ATTEMPT HAS BEEN MADE IN THE PREPARATION OF THIS PLAN TO AVOID MISTAKES, THE DESIGNER AND COMPANY CANNOT GUARANTEE AGAINST ERROR OR UNFORESEEN FIELD CONDITIONS. THE CONTRACTOR OR BUILDER MUST CHECK ALL DIMENSIONS, DETAILS AND REPORT ANY DISCREPANCIES.

# GREASE INTERCEPTOR CALCULATION

GREASE INTERCEPTOR SIZING PROCEDURE FOR KITCHEN FIXTURES					
FIXTURE TYPE	QUANTITY	PIPE DIAMETER	GPM/FIXTURE	FIXTURE RATING	GPM
Pot sink	1	2	33	1.00	33
Meat & Vegetable prep sink	1	1 1/2	15	0.10	1.5
Pre-rinse sink					0
Wok					0
Other					4
Dishwasher					0
Can wash / Mop sink					7
<b>Total</b>					<b>45.5</b>
Grease Interceptor Size = flow rate x 30 minutes =					<b>1365</b>

**Sizing Procedure for Food Service Establishments (FSE's)**  
Minimum of 1,000 Gallons

Volume of Grease Interceptor (gallons) = [(A x B) + C + D] x F

**A. GPM/fixture** These values are derived from the Manning Formula. The Manning Formula takes into pipe, and pipe diameter size. Listed below are the drainage rates of various pipe diameters using the Manning Formula.

- 0.5 inch pipe diameter = 0.8 GPM/fixture
- 1.5 inch pipe diameter = 15 GPM/fixture
- 2.0 inch pipe diameter = 33 GPM/fixture
- 2.5 inch pipe diameter = 59 GPM/fixture
- 3.0 inch pipe diameter = 93 GPM/fixture

**B. Fixture Ratings of Greasy Waste Streams** Fixtures that have more grease in their waste stream receive higher values while less grease corresponds to a lower rating. The table is shown below.

Table of Common Commercial Kitchen Fixtures and their Corresponding Rating:

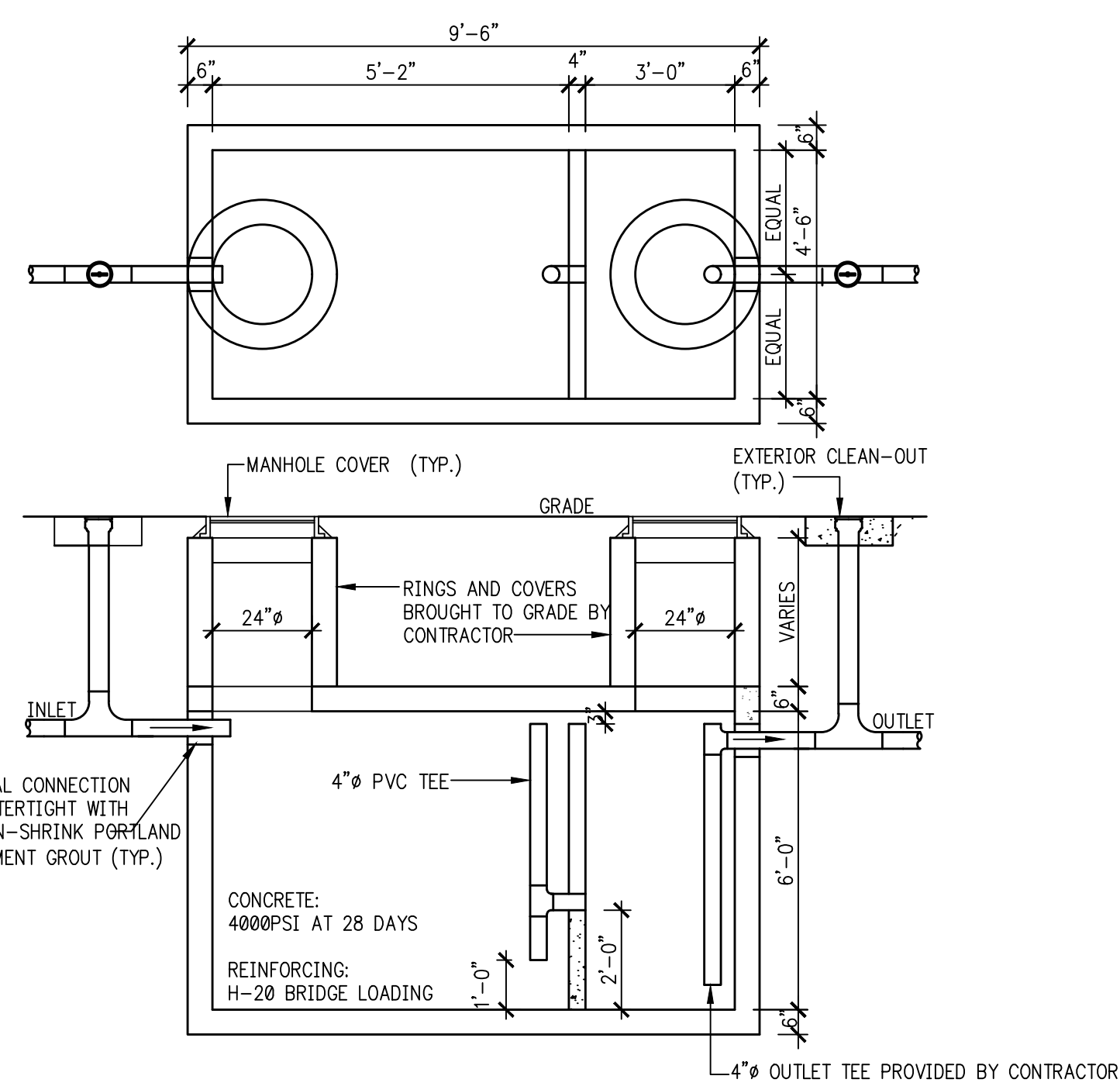
- Pot sink = 1.0
- eat and vegetable prep sink = 0.10
- Pre-rinse sink = 0.75
- Wok = 1.0
- Tilt kettle = 0.00
- Floor drain = 0.00

**C. Direct Flow from Dishwashers, Sanitizers, Garbage Disposal, Food Waste Grinders or Glass Washers** These flows must be added directly to the GPM flow. The manufacturer's peak discharge rate for flow in GPM must be used.

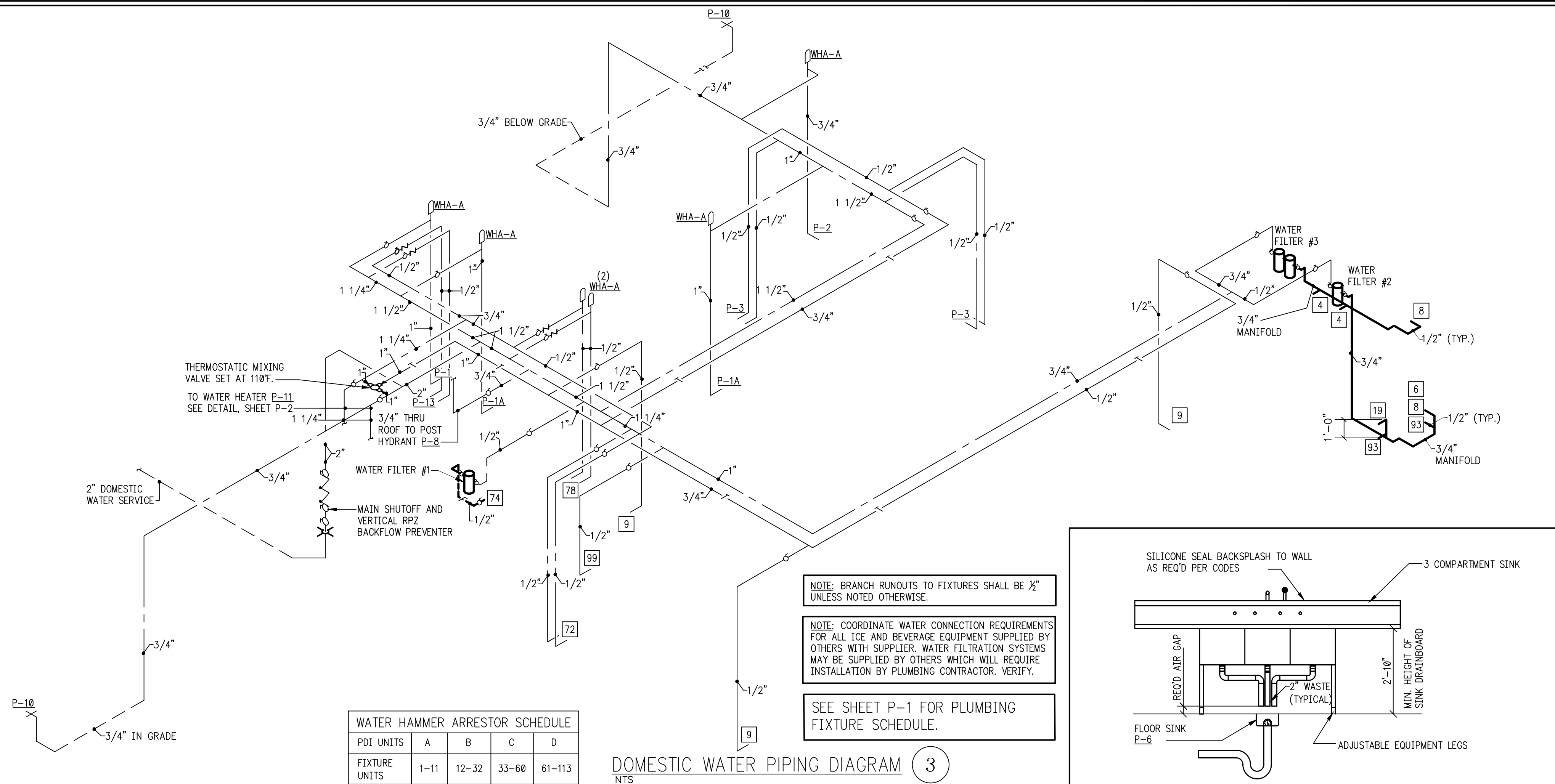
**D. Flow From Can Washes or Mop Sinks** Can washes and mop sinks are typically used intermittently. For the purpose of sizing, 7 GPM will be used for can washes and mop sinks.

## NOTES

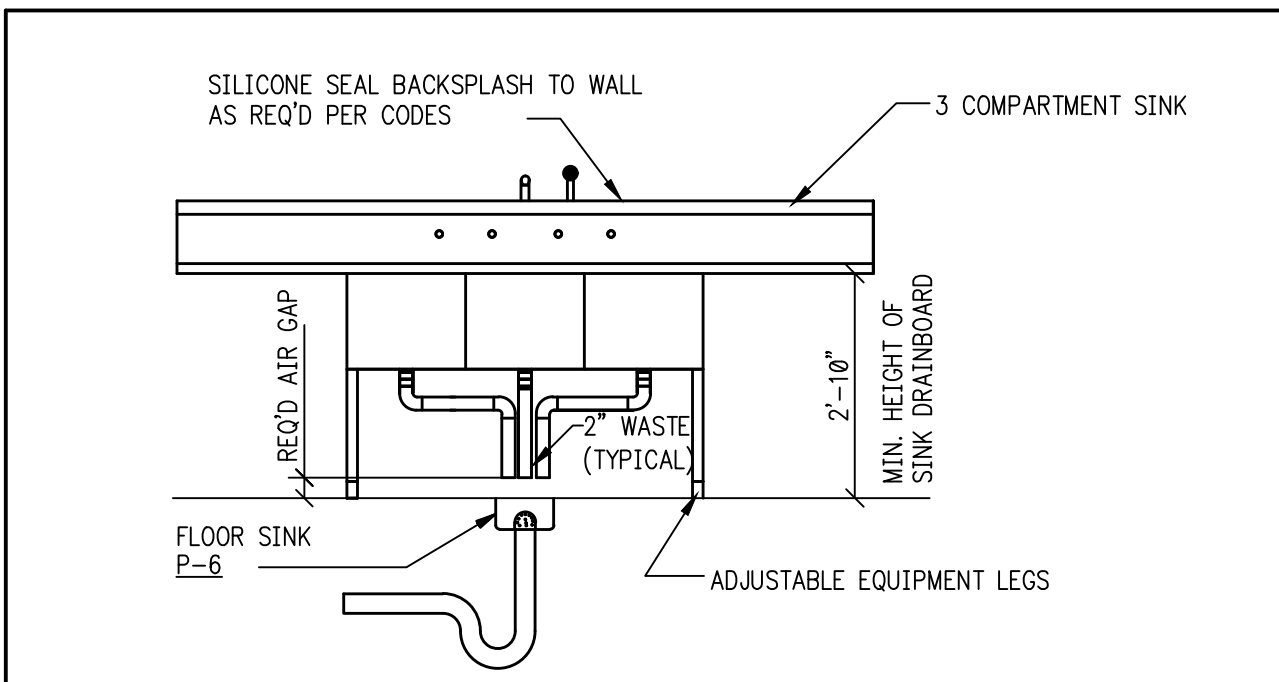
- GREASE TRAP SHALL BE ENGINEER DESIGNED BY MANUFACTURER TO RESIST ALL LOADS.
- IF PRE-FAB SEPTIC TANK IS USED, THEN TANK SHALL BE MODIFIED TO MEET ALL DETAILS & OPENINGS & NOTES.
- SHOP DRAWINGS SHALL SHOW EXACT DIMENSIONS, WALL THICKNESSES, CONC. STRENGTH, ETC.
- GREASE TRAP INSIDE DIMENSIONS ARE APPROXIMATE & ANY CHANGES IN LENGTH x WIDTH x DEPTH SHALL BE ADJUSTED IN PROPORTIONS SHOWN.
- G.C. SHALL BE RESPONSIBLE TO VERIFY CAPACITY REQMT'S. WITH ALL CODE OFFICIALS PRIOR TO BIDDING AND INCLUDE PROPER SIZE IN BID.



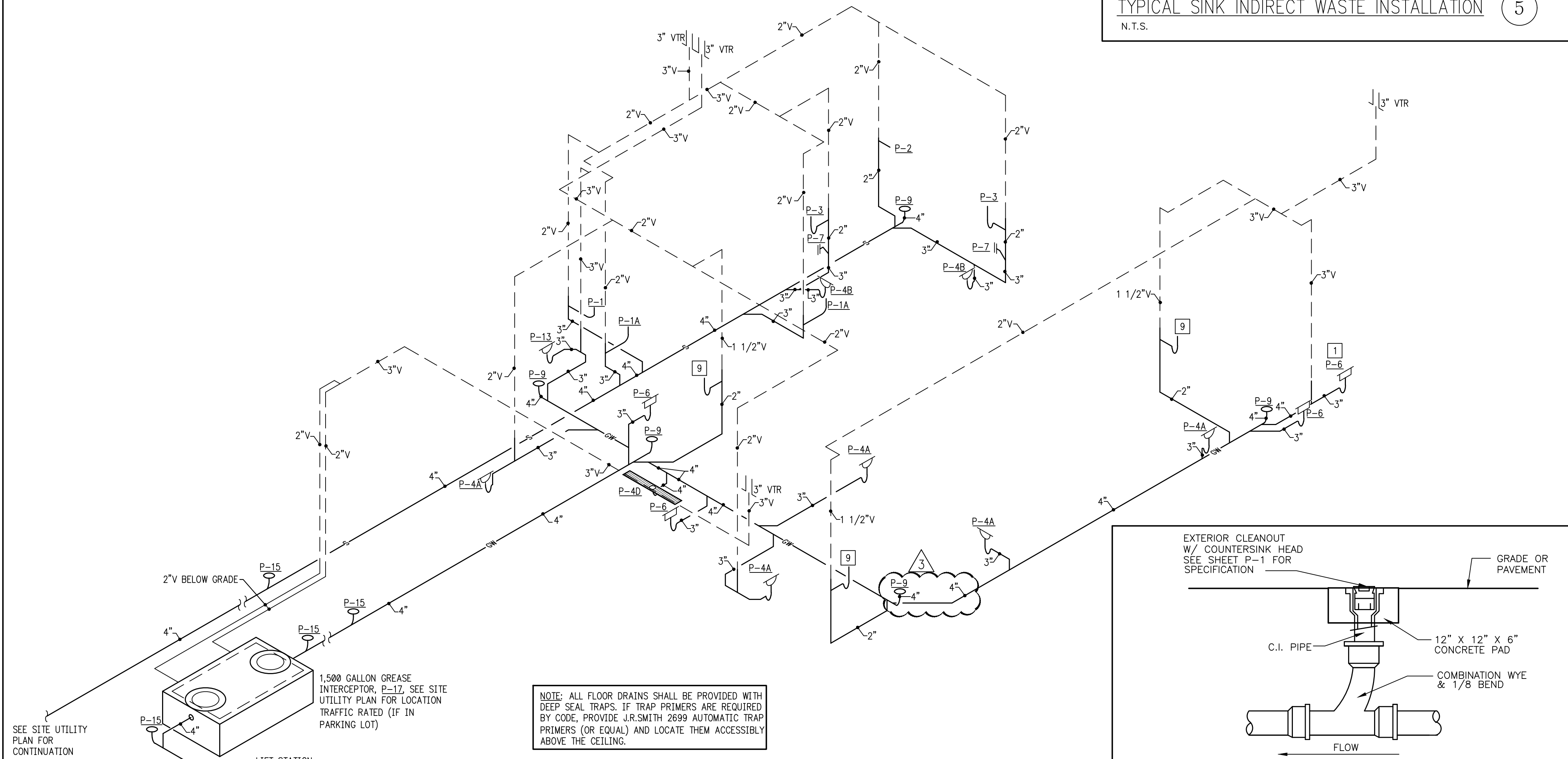
1500 GALLON GREASE INTERCEPTOR DETAIL  
NO SCALE  
TRAFFIC RATED (IF IN PARKING LOT)



DOMESTIC WATER PIPING DIAGRAM (3)  
NTS

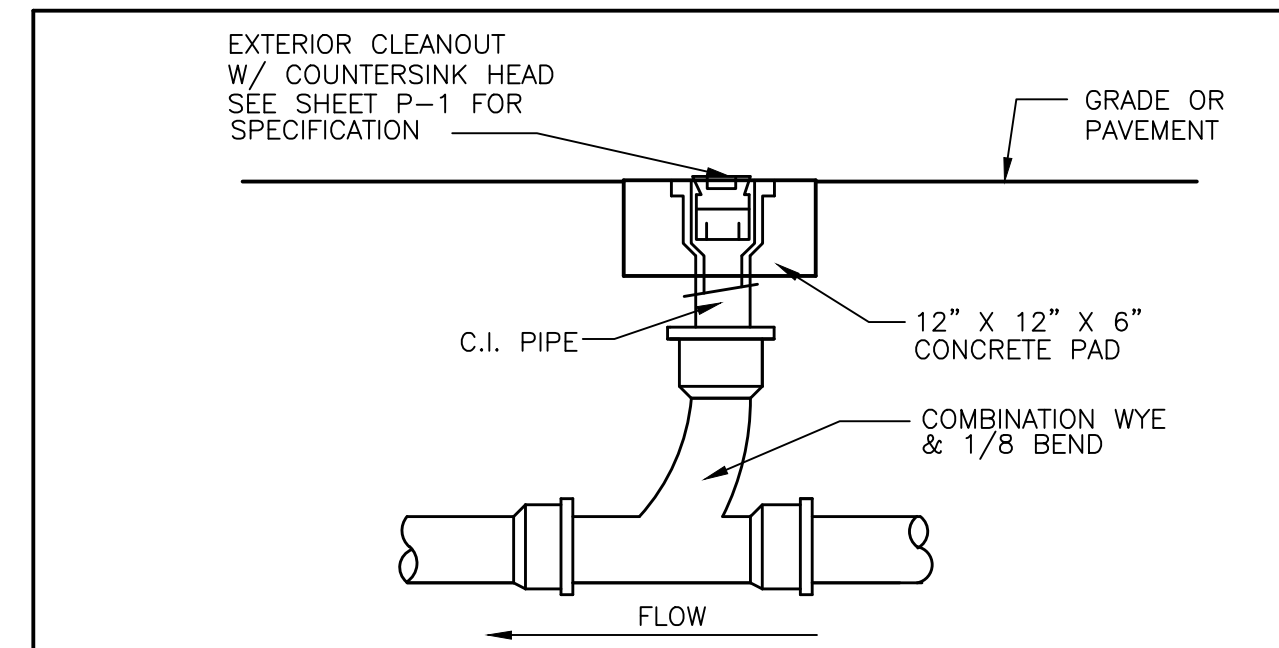


TYPICAL SINK INDIRECT WASTE INSTALLATION (5)  
N.T.S.



NOTE: ALL FLOOR DRAINS SHALL BE PROVIDED WITH DEEP SEAL TRAPS. IF TRAP PRIMERS ARE REQUIRED BY CODE, PROVIDE J.R. SMITH 2699 AUTOMATIC TRAP PRIMERS (OR EQUAL) AND LOCATE THEM ACCESSIBLY ABOVE THE CEILING.

SOIL, WASTE & VENT PIPING DIAGRAM (2)  
NTS



CLEANOUT TO FINISHED GRADE (4)  
N.T.S.

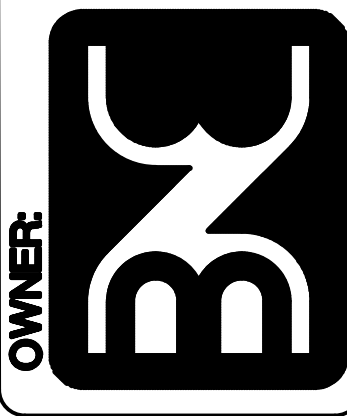
**NRD** national restaurant designers  
ARCHITECTS & ENGINEERS  
3005 CARRINGTON MILL BLVD., SUITE 150  
MORRISVILLE, NORTH CAROLINA, 27560  
PH: 919-344-7251 FAX: 919-344-9399  
A Division of LMHT Associates



LMHT ENGINEER LICENSE  
NUMBER - C-1869

**Hardiee**  
CHARACTER QUALITY PRODUCTS  
HARDEE'S STANDARD PROTOTYPE  
NC HWY 87 & BUFFALO RD.  
CAMERON, NC 28520

OWNER: **BODDE-NOELL ENTERPRISES, INC.**  
P.O. BOX 1908  
ROCKY MOUNT, NC  
27802-1908  
(252) 967-2800



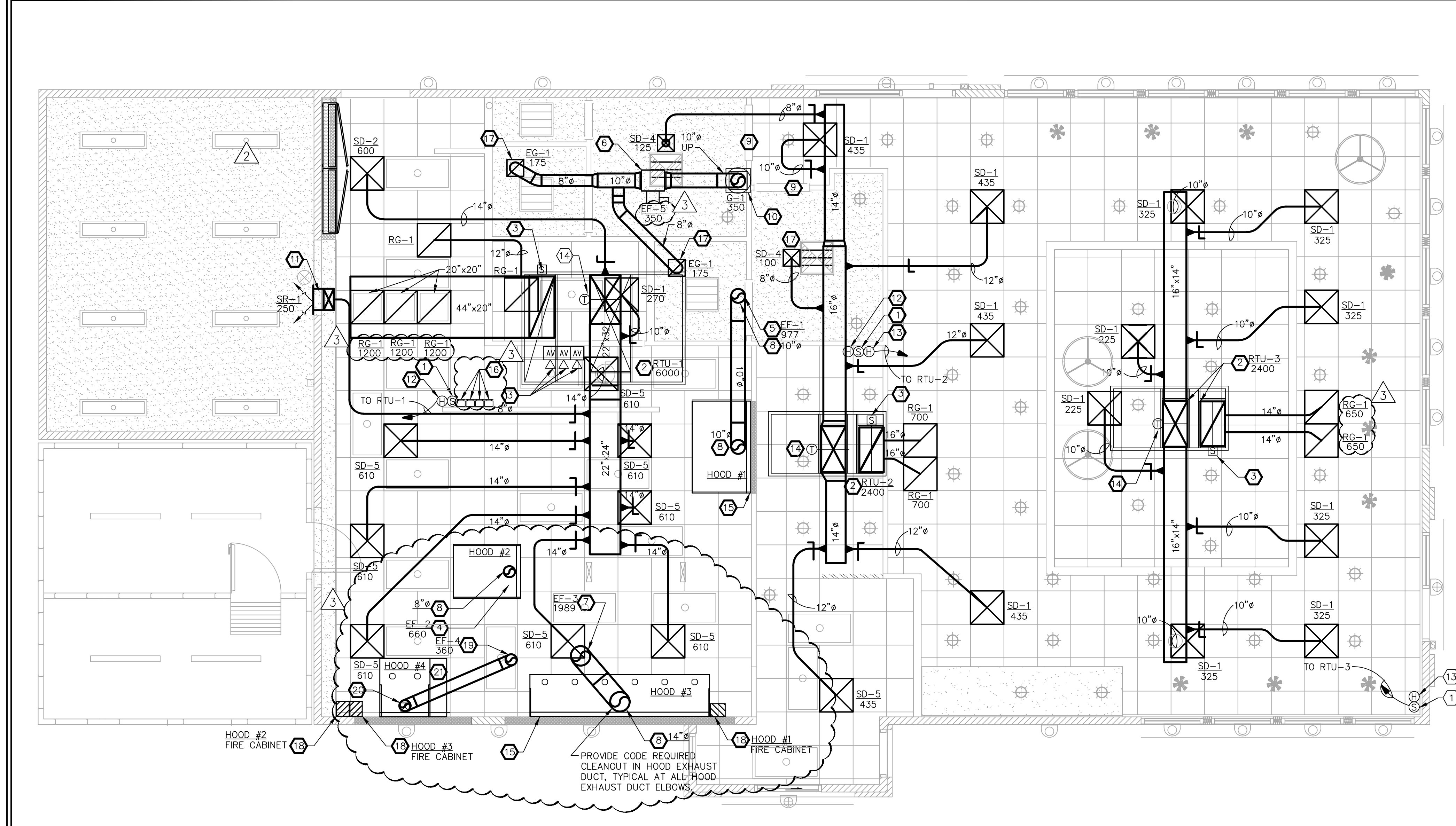
NO.	REVISIONS	DATE
1	DATE	9/24/20
2	DESCRIPTION	
3		
4		
5		

PLUMBING ISOMETRICS AND DETAILS

DATE: 01-31-2020

SHEET NUMBER:

**P3**



- ### KEYED NOTES
- NTS 2
- CONTRACTOR SHALL INSTALL OWNER PROVIDED REMOTE SENSOR AT 5 FT. ABOVE FINISHED FLOOR AS SHOWN ON PLAN. COORDINATE EXACT LOCATIONS WITH INTERIOR ELEVATIONS. SENSOR TO BE WIRED TO OWNER PROVIDED THERMOSTAT IN BUILDING CONTROL PANEL. SENSOR SHALL BE FULLY COMPATIBLE WITH THERMOSTAT AND HVAC UNIT USED FOR PROJECT. FIELD COORDINATE.
  - RTU-1, 2, & 3  
INSTALL THREE SINGLE PACKAGE ROOF TOP UNITS. SEE SHEET M2 FOR MORE INFORMATION. UNITS FURNISHED BY OWNER, INSTALLED BY E.C.
  - PROVIDE AND INSTALL SMOKE DETECTOR IN RETURN AIR DUCT TO DE-ENERGIZE RTU SUPPLY AIR FAN IF ACTIVATED. DETECTOR TO BE WIRED TO CPI PANEL. PROVIDE, INSTALL AND WIRE VISUAL/AUDIBLE ALARM FOR DUCT SMOKE DETECTOR WITH MANUAL RESET. COORDINATE EXACT LOCATION WITH CONSTRUCTION MANAGER. MANUAL EMERGENCY SHUTDOWN SWITCH PREWIRED IN CPI PANEL. INSTALL ONE VISUAL/AUDIBLE/TEST STATION ALARM PER RTU. INSTALL SMOKE DETECTOR TEST SWITCH IN MANAGER'S OFFICE.
  - EF-2 BROILER EXHAUST FAN - CAPTIVE AIRE NCABFA. HOOD SUPPLIER SHALL FURNISH AND HVAC CONTRACTOR SHALL INSTALL WHERE SHOWN ON PLANS A ROOF MOUNTED BELT DRIVE EXHAUST FAN. UNIT SHALL HAVE A CAPACITY OF 660 CFM @ 0.75" E.S.P. WITH A 1/2 HP MOTOR, 208V., 3 PH., 60 HZ. UNIT SHALL INCLUDE A PREFABRICATED SOUND ATTENUATING ROOF CURB AND BE FURNISHED WITH SPEED CONTROL. SEE FOOD SERVICE DRAWINGS QF701, QF702.
  - EF-1 BLODGETT OVEN EXHAUST FAN - CAPTIVE AIRE NCABFA. HOOD SUPPLIER SHALL FURNISH AND HVAC CONTRACTOR SHALL INSTALL WHERE SHOWN ON PLANS A ROOF MOUNTED BELT DRIVE EXHAUST FAN. UNIT SHALL HAVE A CAPACITY OF 977 CFM @ 0.75" E.S.P. WITH A 1 1/2 HP MOTOR, 208V., 3 PH., 60 HZ. UNIT SHALL INCLUDE A PREFABRICATED SOUND ATTENUATING ROOF CURB AND BE FURNISHED WITH SPEED CONTROL. SEE FOOD SERVICE DRAWINGS QF701, QF702.
  - EF-5 RESTROOM EXHAUST FAN - CAPTIVE AIRE SIF10DD. HOOD SUPPLIER SHALL FURNISH AND HVAC CONTRACTOR SHALL INSTALL WHERE SHOWN ON PLANS AN IN-LINE STYLE EXHAUST FAN. UNIT SHALL HAVE A CAPACITY OF 350 CFM @ 0.35" E.S.P. SEE FOOD SERVICE DRAWINGS QF701, QF702.
  - EF-3 GRIDDLE FRYER EXHAUST FAN - CAPTIVE AIRE NCA14FA. HOOD SUPPLIER SHALL FURNISH AND HVAC CONTRACTOR SHALL INSTALL WHERE SHOWN ON PLANS A ROOF MOUNTED BELT DRIVE EXHAUST FAN. UNIT SHALL HAVE A CAPACITY OF 1989 CFM @ 0.80" E.S.P. WITH A 0.75 HP MOTOR, 208V., 3 PH., 60 HZ. UNIT SHALL INCLUDE A PREFABRICATED SOUND ATTENUATING ROOF CURB AND BE FURNISHED WITH SPEED CONTROL. SEE FOOD SERVICE DRAWINGS QF701, QF702.
  - PROVIDE AND INSTALL SELKIRK METALBESTOS FACTORY-BUILT GREASE DUCT. DUCT SHALL MEET NFPA96. THE DOUBLE WALL DUCTING SHALL HAVE AN OUTER JACKET OF ALUMINUM STEEL .025" THICK IN 5 INCH THROUGH 24" DIAMETERS AND .034" THICK FOR LARGER DIAMETERS. THE INNER LINER SHALL BE TYPE 304 STAINLESS STEEL WITH A NOMINAL THICKNESS OF .035" FOR ALL SIZES. FIBER INSULATED EXHAUST SYSTEM (MODEL IPS) SHALL HAVE FIBER INSULATION BETWEEN THE WALLS OF 1 INCH THICK. M.C. SHALL COORDINATE ANY OFFSET REQUIRED BETWEEN HOOD CONNECTION AND FAN.
  - GENERAL CONTRACTOR TO UNDERCUT DOOR 3/4" FOR TRANSFER AIR.
  - G-1 TOILET EXHAUST VENT CAP - CAPTIVE AIRE GV10 ROOF MOUNTED EXHAUST VENT COMPLETE WITH INTEGRAL BAROMETRIC DAMPER AND INSECT SCREEN. UNIT SHALL INCLUDE A PREFABRICATED SOUND ATTENUATING ROOF CURB.

- DUCT TO DROP DOWN IN SOFFIT, EXTEND TO SIDEWALL REGISTER. COORDINATE W/ SOFFIT & WALL STRUCTURE.
- CONTRACTOR SHALL INSTALL OWNER PROVIDED HUMIDITY SENSOR. VERIFY MOUNTING HEIGHT. W/OWNER & EXACT LOCATION PRIOR TO INSTALLATION. SENSOR WIRED TO OWNER PROVIDED CONTROL PANEL. SEE 'CPI' SHEETS FOR ADDITIONAL INFORMATION.
- CONTRACTOR SHALL INSTALL MANUFACTURER PROVIDED HUMIDITY SENSOR. VERIFY MOUNTING HEIGHT AND EXACT LOCATION PRIOR TO INSTALLATION. SENSOR WIRED TO RTU CONTROL PANEL. SEE INSTALLATION INSTRUCTIONS.
- CONTRACTOR SHALL INSTALL CPI PROVIDED DUCT TEMPERATURE SENSORS IN SUPPLY DUCT FOR RTU'S. SENSORS TO BE MOUNTED IN SUPPLY AIR DUCT AND TIED TO CPI BUILDING CONTROL PANEL. FIELD COORDINATE EXACT REQUIREMENTS BEFORE STARTING WORK.
- MECHANICAL/GENERAL CONTRACTORS SHALL PROVIDE AND INSTALL STAINLESS STEEL BEHIND ALL HOODS. STAINLESS STEEL SHALL EXTEND 18" BEYOND HOODS AND SHALL BE FROM FLOOR TO 18" ABOVE EACH HOOD.
- RECESSED MANUAL PULL STATION FOR FIRE SUPPRESSION SYSTEM SHALL BE PROVIDED BY HOOD MANUFACTURER AND INSTALLED BY LOCAL FIRE SUPPRESSION DISTRIBUTOR. PULL STATION SHALL BE INSTALLED AT 48" A.F.F BETWEEN 10 FEET AND 20 FEET AWAY FROM THE COOKING EQUIPMENT WITHIN THE PATH OF EGRESS. M.C. AND FIRE SYSTEM DISTRIBUTOR SHALL COORDINATE TO ENSURE WORK HAS BEEN COMPLETED.
- M.C. SHALL PROVIDE OBD (OPPOSED BLADE DAMPER) IN THE FACE OF THE DIFFUSER/GRILLE INSTALLED WITHIN THE SHEET ROCK CEILING.
- M.C. SHALL MOUNT ANSUL CABINET TIGHT TO CEILING.
- EF-4 FRYER EXHAUST - CAPTIVE AIRE DU12HFA EXHAUST FAN. HOOD SUPPLIER SHALL FURNISH AND HVAC CONTRACTOR SHALL INSTALL WHERE SHOWN ON PLANS A ROOF MOUNTED BELT DRIVE EXHAUST FAN. UNIT SHALL HAVE A CAPACITY OF 360 CFM @ 0.45" E.S.P. WITH A 1/4 HP MOTOR, 115V., 1 PH., 60 HZ. UNIT SHALL INCLUDE A PREFABRICATED SOUND ATTENUATING ROOF CURB. SEE SHOP DRAWINGS.
- TRANSITION FROM 6"x6" EXHAUST TO 8"x8" ROUND IN THE VERTICAL PORTION OF THE EXHAUST DUCT.
- UTILITY CABINET CONTAINS ANSUL FIRE PROTECTION.

HVAC PLAN  
SCALE: 1/4"=1'-0"  
1

### HVAC GENERAL NOTES

- ALL RECTANGULAR AND ROUND OUTSIDE AIR, RETURN AIR, RELIEF AIR AND SUPPLY AIR DUCTWORK SHALL BE EXTERNALLY INSULATED WITH 2" THICK, 2.75 LBS. DENSITY FOIL FACED FIBERGLASS INSULATION. INSTALLED "R" VALUE = 6.0. DUCT DIMENSIONS SHOWN ARE INSIDE NET DIMENSIONS. IN GENERAL, HOLD DUCT TIGHT TO UNDERSIDE OF STRUCTURE UNLESS OTHERWISE NOTED OR REQUIRED BY FIELD CONDITIONS. DUCT SHALL BE HARD DUCT IN ALL CASES EXCEPT THE LAST 10 FEET OF ROUND SUPPLY DUCT.
- CONICAL BELLMOUTH FITTINGS WITH MANUAL BALANCING DAMPER TO BE USED FOR ALL ROUND BRANCH TAPS ABOVE ACCESSIBLE LAY-IN CEILINGS. CONICAL BELLMOUTH FITTINGS WITHOUT MANUAL BALANCING DAMPERS TO BE USED FOR ALL ROUND BRANCH TAPS ABOVE INACCESSIBLE DRYWALL CEILINGS WITH BALANCING REQUIRED WITHIN 2 FT. OF DIFFUSER WITH PLASTER FRAME.
- FLEX CONNECTIONS TO SUPPLY DIFFUSERS ARE INSULATED FLEX WITH A MAXIMUM LENGTH OF 10 FT. ALL RETURN AIR DUCTS SHALL ALL BE RIGID, NO FLEX IS ALLOWED.
- MECHANICAL CONTRACTOR SHALL BE RESPONSIBLE FOR COORDINATION OF ALL TRADES, LANDLORD REQUIREMENTS, CEILING HEIGHTS AND EXISTING STRUCTURAL CONDITIONS PRIOR TO FABRICATION OF ANY DUCTWORK OR ORDERING OF ANY EQUIPMENT.
- THE HVAC CONTRACTOR IS RESPONSIBLE FOR COORDINATING BOX-OUT LOCATIONS FOR ALL DRYWALL MOUNTED AIR DEVICES WITH GENERAL CONTRACTOR AND CEILING FRAMING.
- MECHANICAL CONTRACTOR TO PROVIDE TENANT WITH AS-BUILT DRAWINGS, ALL EQUIPMENT SHOP DRAWINGS, INFORMATION ON THERMOSTATS, CONTROL WIRING DIAGRAMS AND OTHER PERTINENT INFORMATION AT COMPLETION OF PROJECT.
- MECHANICAL CONTRACTOR IS TO PROVIDE AND INSTALL FIRE-RATED PIPE SLEEVES AND SEALS ON ALL EXISTING OR NEW PIPING THAT PENETRATES A FIRE-RATED PARTITION.
- PERFORM ALL WORK IN ACCORDANCE WITH PROVIDED SPECIFICATIONS DIVISION 23.
- INSTALL VOLUME DAMPERS ON BRANCH SUPPLY DUCTS AS NECESSARY TO BALANCE DIFFUSER AIRFLOW WITHIN 10% OF VALUES INDICATED (15% FOR DIFFUSERS LESS THAN 150 CFM).
- BUILDING CONTROL PANEL. PURCHASED BY OWNER AND INSTALLED BY ELECTRICAL CONTRACTOR. THERMOSTAT WIRING AND CONTROL BY HVAC CONTRACTOR.
- RTU, KITCHEN FANS, CURBS AND BOTH FANS SHALL BE PROVIDED BY OWNER AND INSTALLED BY G.C. ALL DUCTWORK, DIFFUSERS, GREASE DUCTWORK, OTHER MATERIALS AND EQUIPMENT SHALL BE PROVIDED AND INSTALLED BY THE M.C.
- PRODUCT HANDLING BY GENERAL CONTRACTOR: EQUIPMENT AND MATERIALS SHALL BE PROPERLY STORED, ADEQUATELY PROTECTED, AND CAREFULLY HANDLED TO PREVENT DAMAGE BEFORE AND DURING INSTALLATION. EQUIPMENT AND MATERIALS SHALL BE HANDLED, STORED, AND PROTECTED IN ACCORDANCE WITH THE MANUFACTURER'S RECOMMENDATIONS. EQUIPMENT INSTALLED WITH A FACTORY FINISH SHALL BE FULLY PROTECTED DURING CONSTRUCTION AND DAMAGED EQUIPMENT SHALL BE REPAIRED OR REPLACED.
- COORDINATION OF WORK: HEATING, VENTILATING, AND AIR CONDITIONING WORK SHALL BE COORDINATED WITH OTHER TRADES. ANY DROPS, RISES, OR OFFSETS NECESSARY FOR THE PROPER INSTALLATION OF THE WORK SHALL BE PROVIDED. DUCTWORK SHALL HAVE RIGHT OF WAY OVER PLUMBING AND ELECTRICAL WORK.
- EQUIPMENT INSTALLATION: FINAL CONNECTIONS TO EQUIPMENT, INCLUDING DUCTWORK AND TEMPERATURE CONTROLS, SHALL BE PROVIDED.
- MANUFACTURERS' INSTRUCTIONS: EQUIPMENT SHALL BE INSTALLED AS RECOMMENDED BY THE MANUFACTURER.
- PREPARED OPENINGS: ALL SQUARE AND RECTANGULAR DUCTS PASSING THROUGH ROOF SHALL BE INSTALLED THROUGH PREPARED OPENINGS. THE GENERAL CONTRACTOR SHALL BE RESPONSIBLE FOR THE PROPER SIZE AND LOCATION OF OPENINGS.
- COMPRESSOR/CONDENSER UNIT: COMPRESSOR/CONDENSER UNIT SHALL BE USED TO PROVIDE COOLING FOR THE FREEZER/COOLER. UNIT SHALL BE FURNISHED BY OWNER, AND THE REFRIGERANT LINES WILL BE INSTALLED BY THE MECHANICAL CONTRACTOR. THE COMPRESSOR/CONDENSER UNIT SHALL BE INSTALLED, WIRED, STARTED AND TESTED BY THE CONTRACTOR. OWNER FURNISHED START-UP REPORT SHALL BE COMPLETED BY THE MECHANICAL CONTRACTOR AT TIME OF START-UP AND SUBMITTED TO OWNER PRIOR TO EQUIPMENT COMPLETE DATE.
- ICE MACHINE CONDENSERS: ICE MACHINE (1) SHALL HAVE AIR COOLED REMOTE CONDENSER UNITS, ICE MACHINES, CONDENSER UNITS AND PRECHARGED REFRIGERANT LINE SET SHALL BE FURNISHED BY OWNER. ALL REFRIGERANT LINES WILL BE INSTALLED AND CONNECTED BY THE MECHANICAL CONTRACTOR.
- STARTUP:
  - DESCRIPTION OF WORK: THE WORK INCLUDES START-UP AND TESTING OF AIR SYSTEMS PROVIDED UNDER THIS DIVISION TO INSURE THE PROPER OPERATION OF THE SYSTEMS. THE WORK ALSO INCLUDES PERFORMANCES OF OTHER TESTS AND PROVISION OF ADDITIONAL DATA AS SPECIFIED HEREIN.
  - AIR SYSTEM OPERATION ASSURANCE: BEFORE STARTING WORK, THE MECHANICAL CONTRACTOR SHALL FAMILIARIZE THEM SELF WITH THE OPERATION OF THE SYSTEMS AND THE DESIGN REQUIREMENTS, SYSTEMS AND AUXILIARIES, INCLUDING THE ROTATION OF FANS, LUBRICATION OF EQUIPMENT AND CONDITION OF COILS AND FILTERS, SHALL BE CHECKED TO CONFIRM THAT THEY ARE IN WORKING ORDER AND THAT TESTING CAN PROCEED.
  - SCHEDULING OF WORK: THE MECHANICAL CONTRACTOR SHALL PERFORM INITIAL START-UP AND TESTING OF RTU CIRCULATING AIR SYSTEMS, THE WORK SHALL BE DONE AFTER EACH SYSTEM INSTALLATION HAS BEEN COMPLETED. NOTICE SHALL BE GIVEN TO THE OWNER FIVE (5) DAYS PRIOR TO INITIAL START-UP SO PERFORMANCE TESTS MAY BE WITNESSED. CONTRACTOR SHALL COORDINATE THE WORK OF OTHER TRADES AS REQUIRED FOR THE COMPLETION OF START-UP AND TESTING.
  - GENERAL PROCEDURES: AFTER COMPLETION OF THE INSTALLATION AND PRIOR TO EQUIPMENT INSTALLATION COMPLETION DATE, REFER TO CONSTRUCTION SCHEDULE IN APPENDIX. ALL MECHANICAL SYSTEMS AND APPURTENANCES APPLICABLE TO THOSE SYSTEMS SHALL BE STARTED-UP AND TESTED. BASIC REQUIREMENTS SHALL BE AS FOLLOWS:
    - CHECK FANS FOR PROPER OPERATION.
    - VERIFY PROPER HEATING AND COOLING OPERATION FOR EACH RTU SYSTEM.
    - VERIFY PROPER ECONOMIZER OR DAMPER OPERATION.
    - VERIFY THAT TEMPERATURE CONTROL SYSTEM HAS BEEN INSTALLED AS SPECIFIED AND HAS BEEN TESTED TO ASSURE THAT CONTROL ELEMENTS ARE CALIBRATED, ADJUSTED, AND IN PROPER WORKING CONDITION
    - MARK PERMANENTLY THE LOCATION OF MINIMUM DAMPER OR ECONOMIZER OUTSIDE AIR SETTINGS.
- VERIFY THAT AIR FILTERS AND DUCTWORK ARE CLEAN OF DEBRIS, DIRT AND TRASH; THAT MANUAL VOLUME DEVICES ARE INSTALLED AND IN THE FULLY OPEN POSITION TO ALLOW BALANCING WORK TO PROCEED, AND THAT DUCTWORK SEAMS AND JOINTS HAVE BEEN SEALED AS SPECIFIED. MAKE ANY NECESSARY CORRECTIONS AND MODIFICATIONS PRIOR TO THE FINAL BALANCING AND ADJUSTMENT.
- COMPLETE OWNER SUPPLIED START-UP REPORTS FOR EACH RTU SYSTEM. REPORT (ORIGINAL AND TWO (2) COPIES) MUST BE SUBMITTED TO OWNER PRIOR TO EQUIPMENT INSTALLATION COMPLETION DATE. PROVIDE ONE (1) ADDITIONAL COPY TO OWNER'S AIR BALANCE CONTRACTOR UPON ARRIVAL ON SITE TO BEGIN AIR BALANCE WORK.
- REPORTS: THE MECHANICAL CONTRACTOR SHALL SUBMIT TO THE OWNER FOR APPROVAL REPORTS CONTAINING RTU START-UP DATA. PRIOR TO EQUIPMENT INSTALLATION COMPLETION DATE (REFER TO APPENDIX) THE MECHANICAL CONTRACTOR SHALL COMPLETE "START-UP REPORT" ON FORMS FURNISHED BY THE OWNER. THE MECHANICAL CONTRACTOR SHALL PERFORM ALL WORK, TAKE MEASUREMENTS, READINGS, ETC., AS REQUIRED TO FURNISH ALL APPLICABLE INFORMATION REQUESTED ON THE FORM. "START-UP REPORT" SHALL BE CHECKED AND CERTIFIED BY THE MECHANICAL CONTRACTOR. A COPY OF THE REPORT SHALL BE FURNISHED TO THE CODE ENFORCEMENT OFFICIAL.
- TESTING AND BALANCING:
  - DESCRIPTION OF WORK: THE WORK INCLUDES TESTING, ADJUSTING, AND BALANCING OF AIR SYSTEMS PROVIDED UNDER THIS DIVISION (SEE SPECIFICATIONS) TO DELIVER THE AIR QUANTITIES INDICATED ON THE PLANS. THE WORK ALSO INCLUDES START-UP AND CHECK-OUT OF HVAC CONTROL PANEL, ASSOCIATED SENSORS AND PERFORMANCES OF OTHER TESTS AND PROVISION OF ADDITIONAL DATA AS SPECIFIED HEREIN. AIR BALANCE SHALL BE PERFORMED BY THE OWNERS TESTING REPRESENTATIVE PAID FOR BY THE OWNER.

SCALE: 1/4"=1'-0"  
1

- ### MECHANICAL LEGEND
- NTS 4
- |  |                                       |
|--|---------------------------------------|
|  | NEW DUCTWORK                          |
|  | CEILING SUPPLY AIR DIFFUSER           |
|  | CEILING RETURN AIR GRILLE             |
|  | CEILING EXHAUST AIR GRILLE            |
|  | TURNING VANE                          |
|  | BRANCH TAKE-OFF WITH BALANCING DAMPER |
|  | SMOKE DETECTOR                        |
|  | DUCT TEMPERATURE SENSOR               |
|  | THERMOSTAT/SENSOR                     |
|  | AIR DEVICE TYPE                       |
|  | CFM AMOUNT                            |
|  | SUPPLY AIRFLOW                        |
|  | RETURN AIRFLOW                        |
|  | OA OUTSIDE AIR                        |
|  | SA SUPPLY AIR                         |
|  | RA RETURN AIR                         |
|  | FD FIRE DAMPER                        |
|  | AUDIBLE/VISIBLE ALARM DEVICE          |
- \* ALL SYMBOLS MY NOT BE USED

NTS 3

NOTE: SEE SHEETS CPI-1.0 THRU CPI-2.3 FOR CPI INFORMATION RELATED TO WIRING OF CONTROLS & ENERGY MANAGEMENT.

NRD Project # 19187

**national restaurant designers**  
**NRD ARCHITECTS & ENGINEERS**  
3005 CARRINGTON MILL BLVD., SUITE 150  
MORRISVILLE, NORTH CAROLINA 27560  
PH: 919-344-7251 FAX: 919-344-9399  
A Division of LMHT Associates

**STATE OF NORTH CAROLINA**  
**REGISTERED PROFESSIONAL ENGINEERS**  
JOSEPH MORGENTHAU  
9.25.20  
LMHT ENGINEER LICENSE NUMBER - C-1869

**HARDEE'S**  
CHARACTERALLY PERFECT™  
HARDEE'S STANDARD PROTOTYPE  
NC HWY 87 & BUFFALO RD.  
CAMERON, NC 28520

**BODDE-NOELL ENTERPRISES, INC.**  
P.O. BOX 1908  
ROCKY MOUNT, NC 27802-1908  
(252) 967-2800

**OWNER**  
**BE**

NO.	REVISIONS	DATE
1	HVAC UPDATES	8/6/20
2	BONE IN CHICKEN	9/24/20

DRAWN BY: \_\_\_\_\_ CHECKED BY: \_\_\_\_\_

**HVAC PLAN**

DATE: 01-31-2020

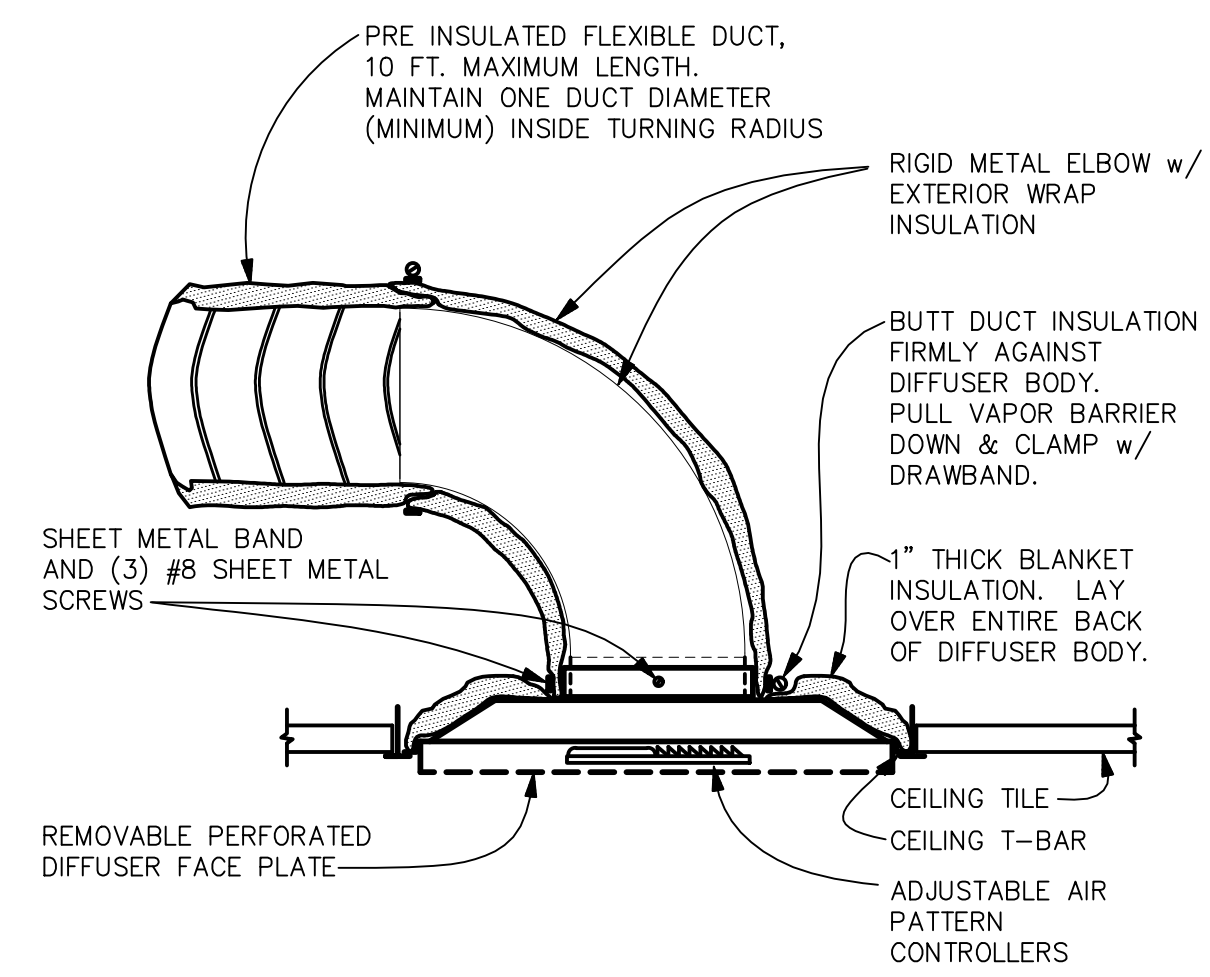
SHEET NUMBER: **M-1**

### ROOF TOP UNIT SCHEDULE - PROVIDED BY OWNER (UNO)

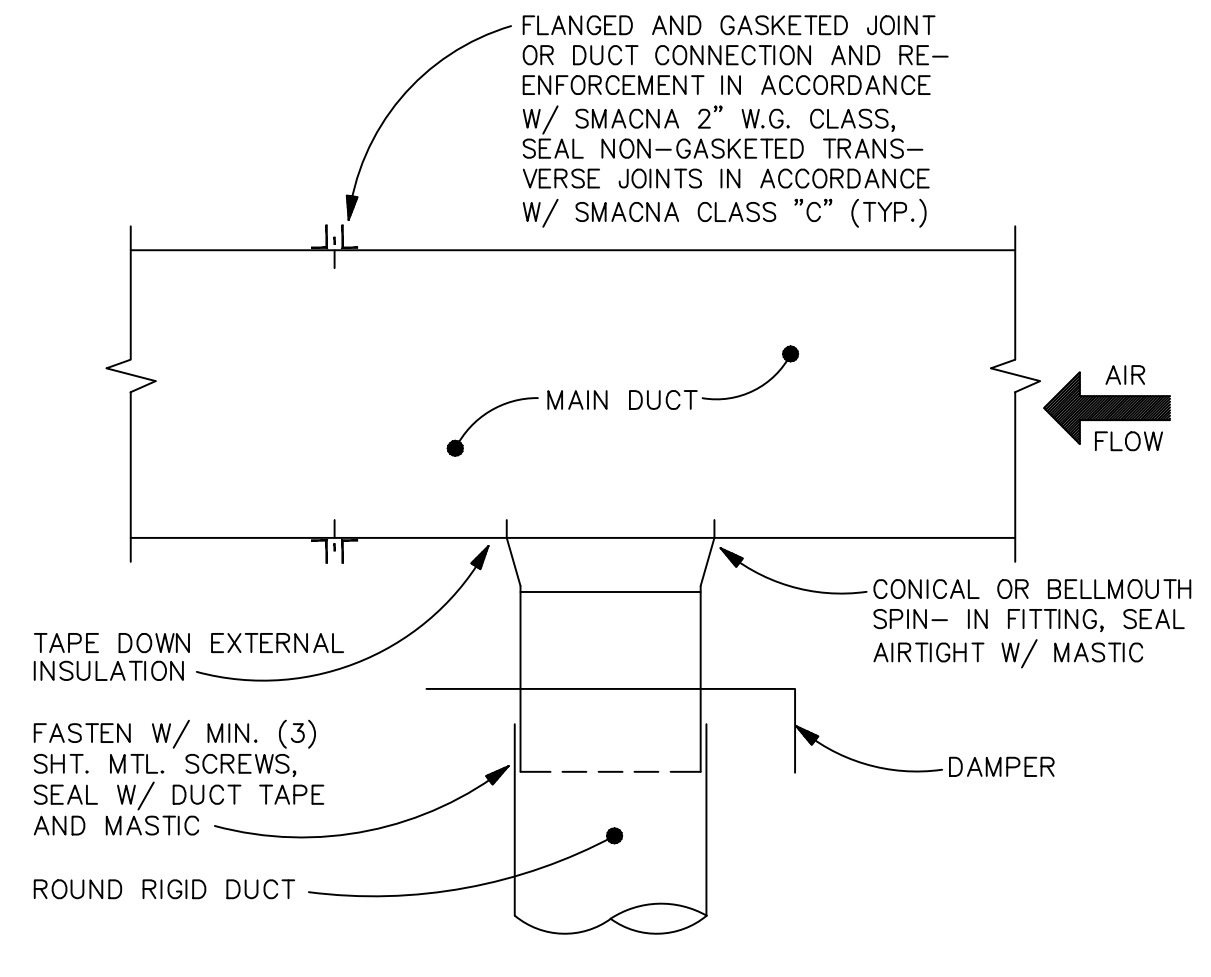
MARK	MFG/MODEL NO.	NOMINAL CAP. (TONS)	CFM	EER	ESP. SP. (IN.W.C.)		FAN RPM	MOTOR HP	COOLING CAPACITY				AMB. TEMP. (°F)	WEIGHT LBS.	ELEC. HEAT @208	CONTROL STAGES	ELECTRICAL			
					IN.W.C.	IN.W.C.			TOT. MBH	SENS. MBH	ENT. DB (°F)	ENT. WB (°F)					FLA	MCA	MCCP	V/PH
RTU-1	TRANE THD180	15	6,000	12.1	0.49	0.86	664	3.0	175.7	122.7	82.9	69.0	101.3	2378#	40.6 KW	2	123.2	155.0	175.0	208/3
RTU-2	TRANE THC092	7.5	2,400	12.6	0.44	0.73	937	2.75	86.4	61.7	83.3	69.2	101.3	1228#	27.0 KW	2	82.2	104.0	110.0	208/3
RTU-3	TRANE THC092	7.5	2,400	12.6	0.35	0.65	913	2.75	87.1	62.7	84.2	69.7	101.3	1228#	27.0 KW	2	82.2	104.0	110.0	208/3

**NOTES:**

- DOWN FLOW ECONOMIZER W/ BAROMETRIC RELIEF AND FDD CONTROLS FOR ALL ROOF TOP UNITS.
- PREFAB RTU CURB FURNISHED WITH UNIT INSULATED BY CONTRACTOR.
- ALL ROOFTOP UNITS ARE TO BE PROVIDED BY OWNER.
- STARTUP CHECK TEST AND SYSTEM AIR BALANCE SERVICE TO BE PERFORMED BY MECHANICAL CONTRACTOR.
- AIR VOLUME BASED ON RESTAURANT ELEVATION OF 800 FT ABOVE SEA LEVEL.
- HINGED PANEL/STANDARD FILTERS.
- FACTORY 115V GFI RECEPTACLE (FIELD WIRED).
- 6-10 YR COMPRESSOR WARRANTY.
- THROUGH BASE ELECTRICAL.
- MANUFACTURER PROVIDED CIRCUIT BREAKER.
- MANUFACTURER PROVIDED FROSTSTAT.
- PROVIDE BLACK EPOXY PRE-COATED COILS.
- FLA INCLUDES AUX. ELEC. HEAT.
- ROOFTOP UNITS ARE ELECTRICALLY INTERLOCKED WITH HOODS THRU BUILDING CONTROL PANEL (CPI).
- PROVIDE SINGLE ZONE VAV FOR ALL RTUS PER CODE REQUIREMENTS.
- PROVIDE REHEAT WITH ALL RTUS.
- PROVIDE HIGH STATIC DRIVE WITH RTU-1.



**LAY-IN DIFFUSER DETAIL**  
N.T.S.



**ROUND DUCT TAKEOFF DETAIL**  
N.T.S.

### AIR BALANCE SCHEDULE

UNIT	SUPPLY	RETURN	OUTSIDE	EXHAUST	SERVING
RTU-1	6,000	3,500	2,400	3	KITCHEN
RTU-2	2,400	1,400	1,000		SERV & ORDER
RTU-3	2,400	1,300	1,100	3	DINING
EF-1				977	OVEN HOOD
EF-2				660	BROILER HOOD
EF-3				1,989	FRYER/GRIDDLE HOOD
EF-4				360	FRYER HOOD (3'-0")
EF-5				350	RESTROOM
<b>TOTAL</b>	<b>10,800</b>	<b>6,300</b>	<b>4,500</b>	<b>4,336</b>	<b>TOTAL BLDG AIRFLOW</b>

**NOTES:**

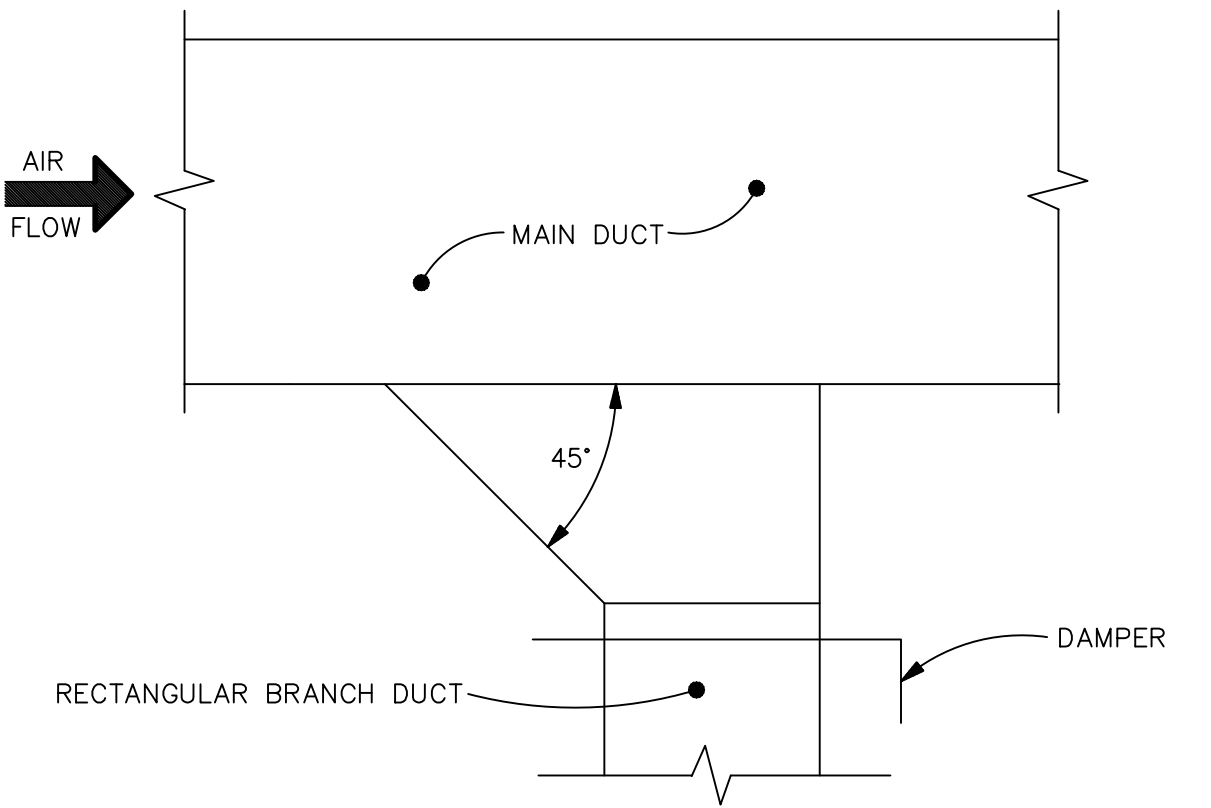
- BUILDING MUST BE POSITIVE AT TEST AND BALANCE.

### GRILLE AND DIFFUSER SCHEDULE

MARK	AIR-GUIDE MODEL	FACE SIZE	NECK SIZE	TYPE	MOUNTING	MAT'L/FINISH
SD-1	AVP-PLT	24"x24"	PER PLAN	SUPPLY	T-BAR	ALUM/WHITE
SD-2	PS-1	24"x24"	PER PLAN	SUPPLY	T-BAR	ALUM/WHITE
SD-3	-	-	-	-	-	-
SD-4	AVPA-FM	12"x12"	PER PLAN	SUPPLY	SURFACE	ALUM/WHITE
SD-5	RAME-P	24"x24"	PER PLAN	SUPPLY	T-BAR	ALUM/WHITE
SD-6	AVP-PLT	24"x24"	PER PLAN	SUPPLY	T-BAR	ALUM/WHITE
SR-1	VH	14"x6"	PER PLAN	SUPPLY	WALL MTD.	ALUM/WHITE
RG-1	PR-1	24"x24"	PER PLAN	RETURN	T-BAR	ALUM/WHITE
RG-2	PR-2	24"x24"	PER PLAN	RETURN	T-BAR	ALUM/WHITE
EG-1	RA-AG	12"x12"	PER PLAN	RETURN/EXHAUST	SURFACE	ALUM/WHITE

**NOTES:**

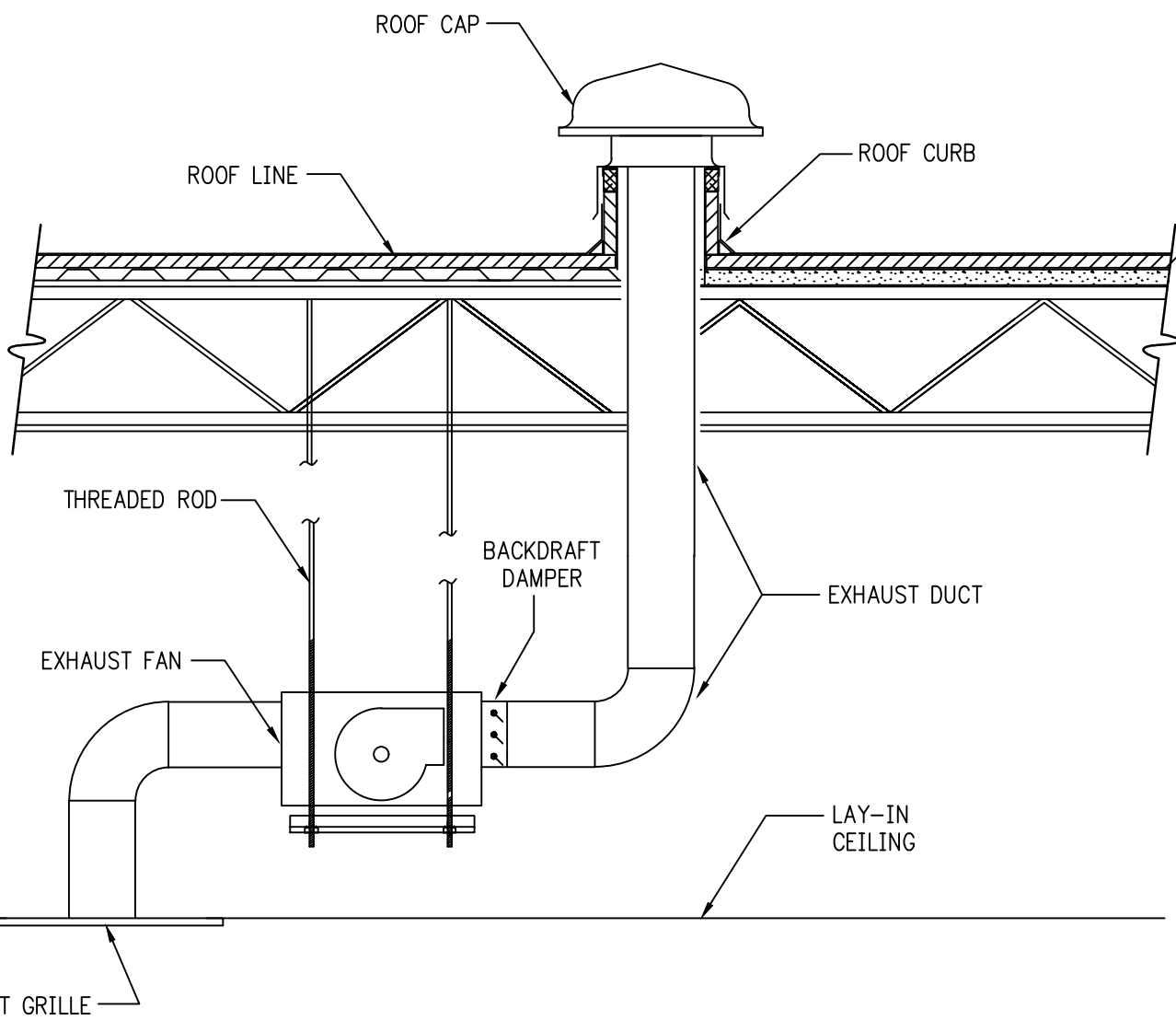
- TRANSITION TO DUCT AS REQUIRED.
- PROVIDE OPPOSED BLADE DAMPERS (OBD) FOR GRILLES AND DIFFUSERS INSTALLED WITHIN SHEETROCK CEILING.
- NOT ALL DEVICES MAY BE USED.
- ALL "B" DIFFUSERS WITHIN 10' OF A HOOD SHALL HAVE THE AIR PATTERN REMOVED OR AIMED IN A DIRECTION VOID OF A HOOD.
- DIFFUSER FINISH TO MATCH SURROUNDING CEILING COLOR. SEE SHEET A2.



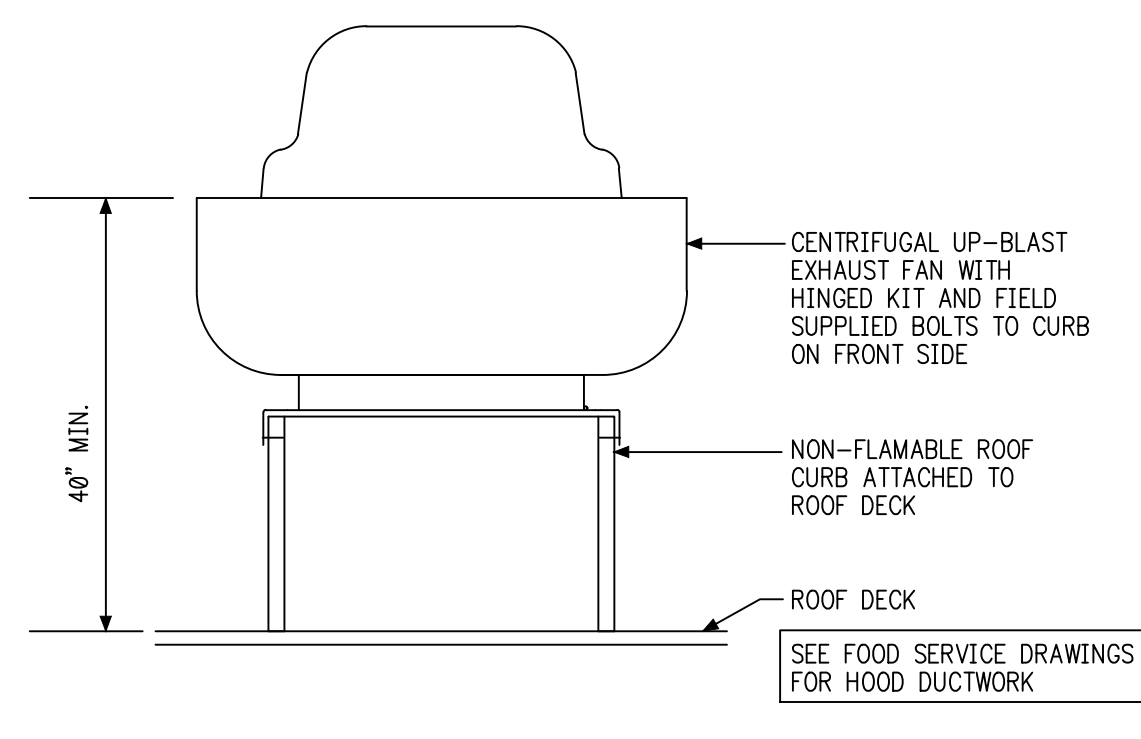
**RECTANGULAR DUCT TAKEOFF DETAIL**  
N.T.S.

### FAN SCHEDULE

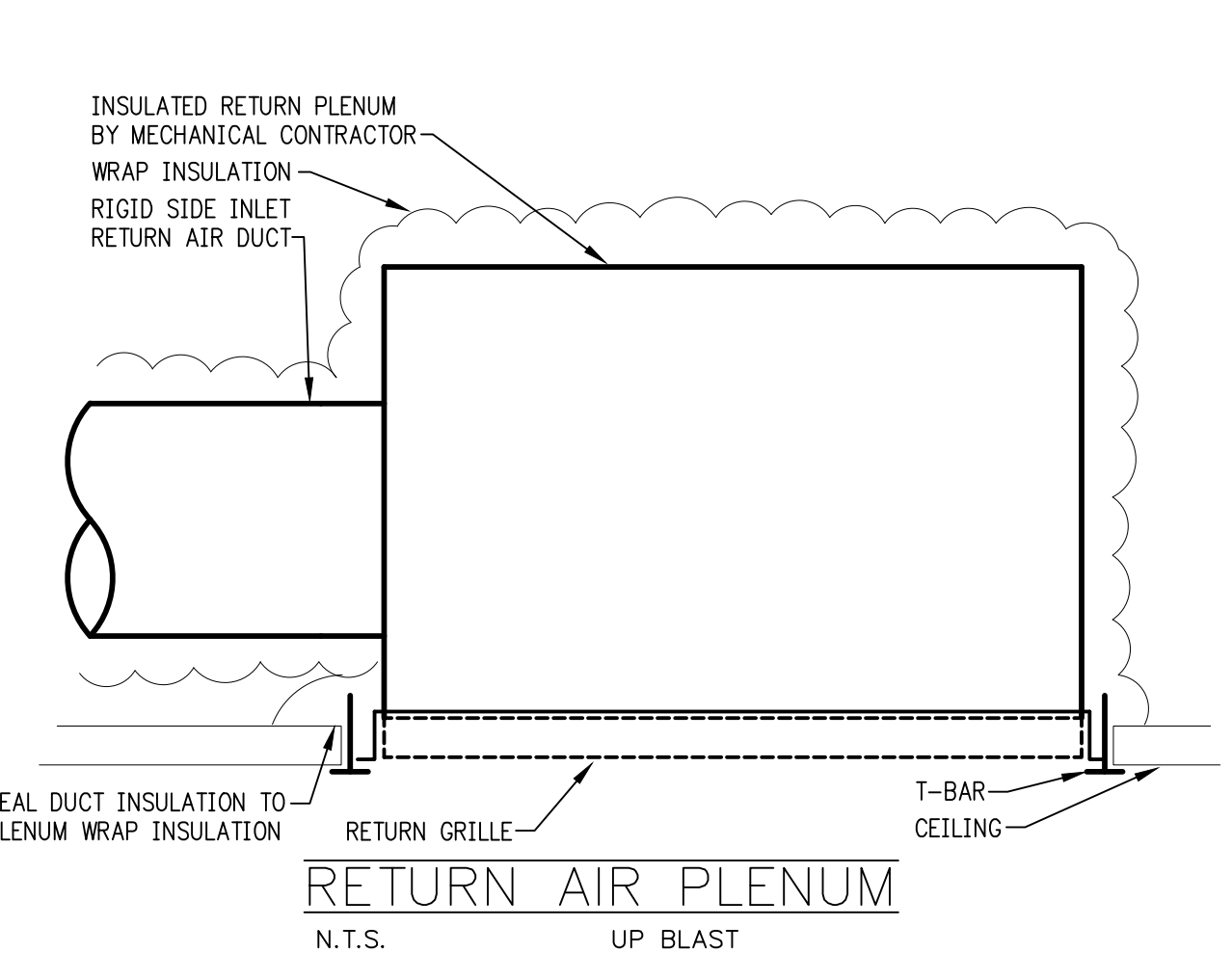
SYMBOL	MFR	MODEL	CFM	EXT. SP.	SERVING	ELECTRICAL				WEIGHT	REMARKS
						FLA	HP	VOLT	PHASE		
EF-1	CAPTIVE AIRE	NCA8FA	977	0.75	OVEN HOOD	1.90	0.50	208	3	138	SEE HOOD SHEET
EF-2	CAPTIVE AIRE	NCA8FA	660	0.75	BROILER HOOD	1.90	0.50	208	3	138	SEE HOOD SHEET
EF-3	CAPTIVE AIRE	NCA14FA	1,989	0.80	GRIDDLE/FRYER	2.50	0.75	208	3	171	SEE HOOD SHEET
EF-4	CAPTIVE AIRE	DUL2HFA	360	0.45	FRYER	2.90	0.25	208	3	99	SEE HOOD SHEET
EF-5	CAPTIVE AIRE	SIF10DD	350	0.25	RESTROOM	3.70	0.25	115	1	62	SEE HOOD SHEET



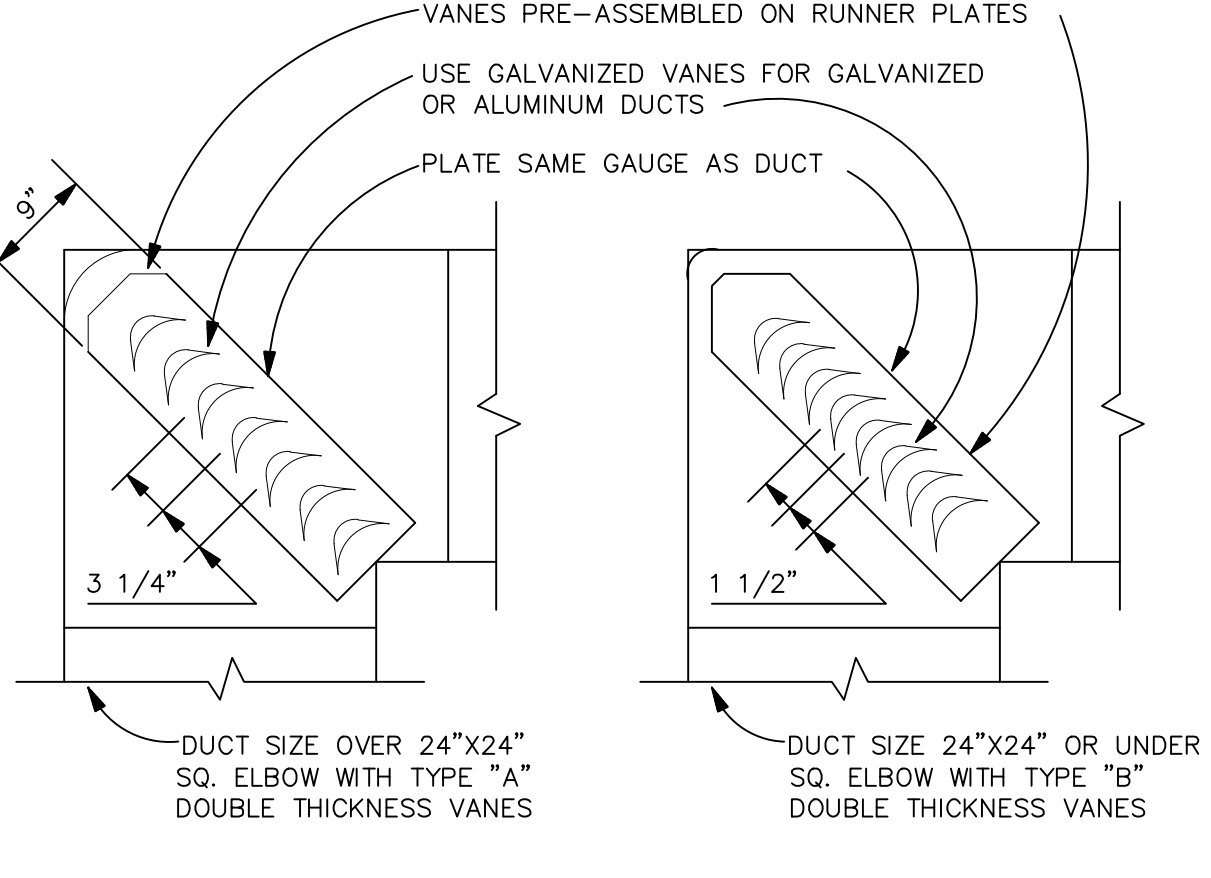
**RESTROOM EXHAUST WITH ROOF CAP**  
N.T.S.



**EXHAUST FAN UP BLAST**  
N.T.S.



**RETURN AIR PLENUM**  
N.T.S.



**TURNING VANE DETAIL**  
N.T.S.

**NOTE:** SEE SHEETS CPI-1.0 THRU CPI-2.3 FOR CPI INFORMATION RELATED TO WIRING OF CONTROLS & ENERGY MANAGEMENT.

### OUTDOOR AIR CALCULATION

DINING	721 SF	1000	X 100 = 72 PEOPLE	72 x 7.5 / 0.8 = 675 CFM
SERVING	214 SF	1000	X 30 = 7 PEOPLE	7 x 5 / 0.8 = 44 CFM
WALKWAY	270 SF			270 x 0.06 / 0.8 = 20 CFM
				<b>TOTAL DINING OA REQ'D. = 917 CFM</b>
				<b>OUTDOOR AIR PROVIDED THROUGH RTU-2 &amp; 3 = 2100 CFM</b>
KITCHEN	909 SF			909 x .7 / 0.8 = 795 CFM
OFFICE	35 SF	1000	X 5 = 1 PERSON	1 x 5 / 0.8 = 6 CFM
				35 x .06 / 0.8 = 3 CFM
STORAGE	320 SF			320 x .12 / 0.8 = 48 CFM
				<b>TOTAL KITCHEN/OFFICE/STOR. OA REQUIRED = 882 CFM</b>
				<b>OUTDOOR AIR PROVIDED THROUGH RTU-1 = 2400 CFM</b>

**OUTDOOR AIR VENTILATION FORMULA:**

BREATHING ZONE AREA (Az) X OCCUPANT DENSITY + 1000 SF = OCCUPANTS

OCCUPANTS X PEOPLE OUTDOOR AIR RATE CFM/PERSON(Rp) = CFM

CFM + ZONE AIR DISTRIBUTION EFFECTIVENESS(Ez) = CFM (1)

+ BREATHING ZONE AREA(Az) X AREA OUTDOOR AIR RATE (Ra) = CFM

CFM + ZONE AIR DISTRIBUTION EFFECTIVENESS(Ez) = CFM (2)

(1) + (2) = TOTAL CFM REQUIRED FOR THAT ZONE

KITCHEN OUTDOOR AIR: BREATHING ZONE AREA (Az) X 0.7 CFM PER SQ. FT = CFM

CFM + ZONE AIR DISTRIBUTION EFFECTIVENESS(Ez) = TOTAL CFM REQUIRED

NRD Project # 19187

**national restaurant designers**

**NRD ARCHITECTS & ENGINEERS**

3005 CARRINGTON MILL BLVD., SUITE 150  
MORRISVILLE, NORTH CAROLINA, 27560  
PH: 919-344-7251 FAX: 919-344-9399

A Division of LMHT Associates

9.25.20

LMHT ENGINEER LICENSE NUMBER - C-1869

**Handee**

CHARACTER QUALITY PROTECTANT

HARDEE'S STANDARD PROTOTYPE  
NC HWY 87 & BUFFALO RD.  
CAMERON, NC 28520

**BODDE-NOELL ENTERPRISES, INC.**

P.O. BOX 1908  
ROCKY MOUNT, NC 27802-1908  
(252) 687-2800

**OWNER**

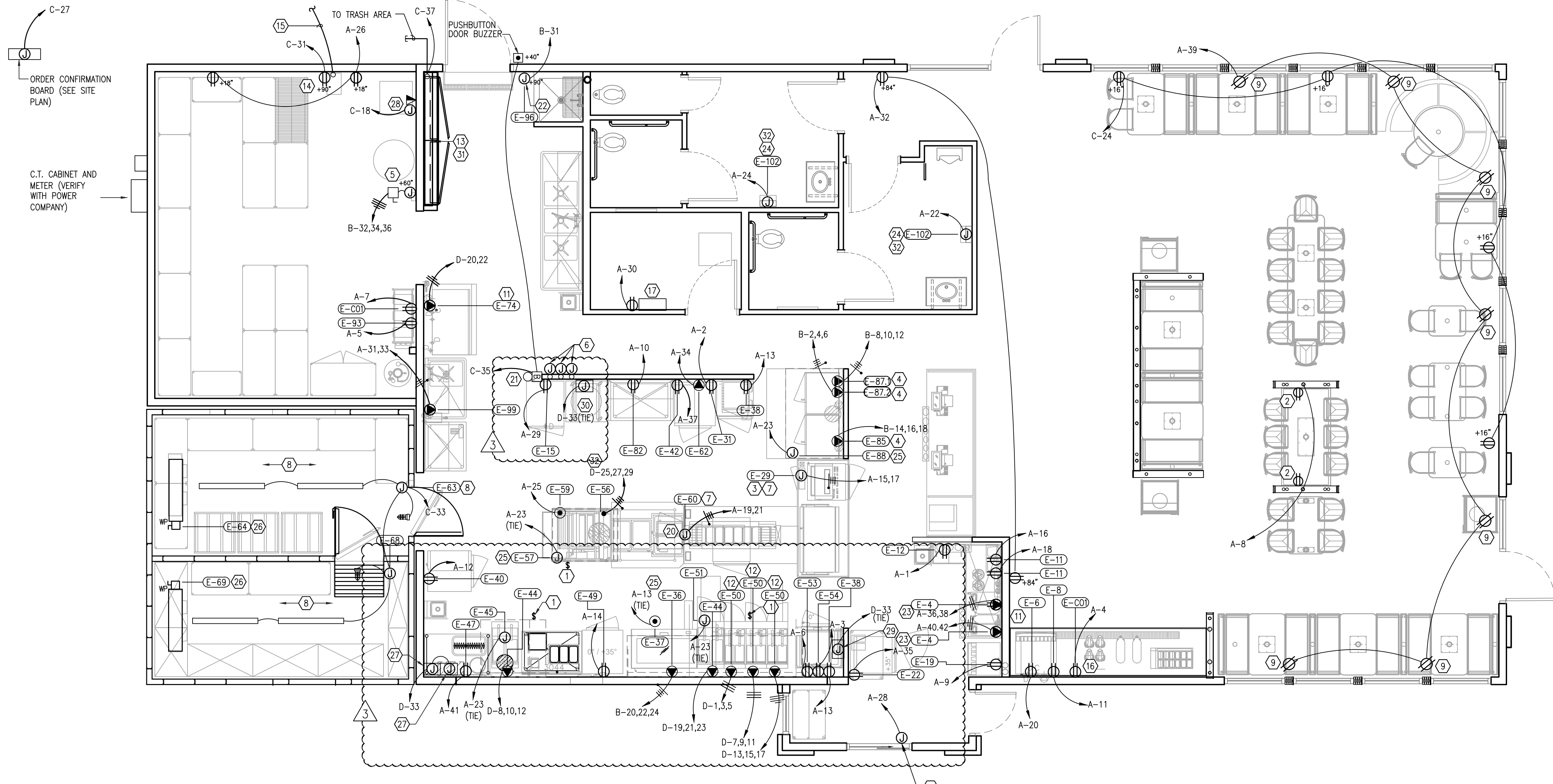
**BN**

NO.	DATE	DESCRIPTION
1	8/6/20	HVAC UPDATES
2	9/24/20	BONE IN CHICKEN

**MECHANICAL DETAILS**

DATE: 01-31-2020

SHEET NUMBER: M-2



### ELECTRICAL LEGEND

- 120 VOLT SIMPLEX RECEPTACLE
- 120 VOLT DUPLEX RECEPTACLE
- 120 VOLT DUPLEX RECEPTACLE MOUNTED UNDER COUNTER
- 120 VOLT DUPLEX RECEPTACLE CEILING MOUNTED
- 208 VOLT, 1 OR 3 PHASE SINGLE RECEPTACLE
- 208 VOLT, 3 PHASE SINGLE RECEPTACLE (TWIST LOCK)
- 120 VOLT DUPLEX RECEPTACLE (WEATHER PROOF)
- 120 VOLT QUAD RECEPTACLE (WEATHER PROOF)
- TELEPHONE JACK
- DATA JACK
- PHONE/DATA JACK
- MOTOR AND NON-FUSED DISCONNECT
- 2-POLE WALL SWITCH
- JUNCTION BOX
- HOMERUN
- SPECIAL PURPOSE OUTLET, 208/240 VOLT AS INDICATED, ROUND TYPE

### ELECTRICAL NEMA SCHEDULE

EQUIPMENT PROVIDED CORD & PLUG

ITEM	QTY.	DESCRIPTION	VOLTS/PHASE	NEMA
12	1	ICE CREAM FREEZER	115 1	NEMA 5-15P
22	1	UNDERCOUNTER COOLER	115 1	NEMA 5-15P
30	1	SANDWICH HOLDING BIN	120-208 1	NEMA L14-20P
31	1	UNDERCOUNTER REFRIGERATOR	115 1	NEMA 5-15P
32	1	UNDERCOUNTER COOLER	115 1	NEMA 5-15P
33	2	HEAT LAMP	120 1	NEMA 5-15P
35	1	CONVEYOR TOASTER	208 1	NEMA L6-20P
35A	1	CONVEYOR TOASTER	208 1	NEMA L6-20P
36	1	GRIDDLE	208 3	NEMA 15-50P
37/38	4	TIMER	120 1	NEMA 5-15P
40	1	REACH-IN REFRIGERATOR	115 1	NEMA 5-15P
42	1	REACH-IN REFRIGERATOR	115 1	NEMA 5-15P
49	1	REACH-IN FREEZER	115 1	NEMA 5-15P
50A	1	UNDERCOUNTER COOLER	115 1	NEMA 5-15P
53	1	WORKTOP FREEZER	115 1	NEMA 5-15P
54	1	FRENCH FRY WARMER	120 1	NEMA 5-20P
59	1	SLIDE TOP FREEZER	115 1	NEMA 5-15P
60C	1	HOLDING CABINET	120 1	NEMA 5-15P
60D	1	HOLDING CABINET	120 1	NEMA 5-15P
61	4	FOOD WARMER	120 1	NEMA 5-15P
62A	1	MICROWAVE OVEN	120 1	NEMA 5-20P
62B	1	MICROWAVE OVEN	120 1	NEMA 5-20P
100	1	REACH-IN REFRIGERATOR	115 1	NEMA 5-15P

### (CORD & PLUG PROVIDED BY ELECTRICIAN) SCHEDULE

ITEM	QTY.	DESCRIPTION	VOLTS/PHASE	NEMA
4	2	TEA/COFFEE BREWER	208 1	208V-1P WITH NEUTRAL WIRE
6	1	ICE CUBE MAKER	115 1	115V-1P WITH NEUTRAL WIRE
44/50	5	FRYER	208 3	208V-3P 3W WITH NEUTRAL WIRE
59	1	MEAT FREEZER	115 1	115V-1P WITH NEUTRAL WIRE
74	1	ICE CUBE MAKER	208-230 1	208V-1P WITH NEUTRAL WIRE
85	1	CONVECTION OVEN	208 3	208V-3P 3W WITH NEUTRAL WIRE
87.1	1	CONVECTION OVEN	208 3	208V-3P 3W WITH NEUTRAL WIRE
87.2	1	CONVECTION OVEN	208 3	208V-3P 3W WITH NEUTRAL WIRE
99	1	HOT WATER DISPENSER	208 1	208V-1P WITH NEUTRAL WIRE

NOTE: NEMA SCHEDULE, CORD & PLUG SCHEDULE ARE PROTOTYPICAL. E.C. SHALL VERIFY ALL EQUIPMENT AND POWER REQUIREMENTS WITH FINAL EQUIPMENT PACKAGE. ADJUST AS REQUIRED.

- NOTES:
- P.O.S. L.V. WIRING BY P.O.S. INSTALLER POWER WIRING BY E.C.
  - L.V. SPEAKER WIRING BY SPEAKER INSTALLER.
  - MONITOR CABLE WIRING BY MONITOR INSTALLER, POWER WIRING BY E.C.

NOTE: REFER TO PANEL SCHEDULES ON SHEET E3 & SHEETS CPI-1.0 THRU CPI-2.3 FOR INDICATION OF WHICH CIRCUITS WILL BE CIRCUITED THROUGH THE ENERGY CONTROL PANEL.

NOTE: REFER TO QF300 FOR ELECTRICAL ROUGH-IN INFORMATION & E4 FOR ADDITIONAL ROOF MOUNTED EQUIPMENT.

### ELECTRICAL POWER PLANS

- HOODS SHALL BE POWERED AND INTERLOCKED WITH EXHAUST FAN AND FIRE PROTECTION SYSTEM IN CONTROL PANEL. HOODS SHALL BE CONTROLLED BY SWITCH LOCATED ON THE FACE OF HOOD. COORDINATE W/ MECHANICAL CONTRACTOR.
- HUBBLE #US20X2BK DUPLEX RECEPTACLE; 20A 125V, RATED TWO (2) USB PORTS (3A, 5VDC) WITH LED INDICATOR AND BLACK FINISH, MOUNTED ON INSIDE OF PRE-FAB WALL / TABLE, ROUTE CONDUIT & WIRE DOWN TO WALL FROM OVER HEAD THRU PROVIDED CHASE. VERIFY MOUNTING HEIGHT W/OWNER.
- TRANSFER TABLE PANEL, SEE QF300 FOR ADDITIONAL INFORMATION.
- VERIFY PLUG/RECEPTACLE REQUIREMENTS W/OWNER. GC TO PROVIDE 90° ANGLE PLUG AT BISCUIT OVENS. SEE EQUIPMENT SCHEDULES ON QF300.
- PROVIDE A 100A/ 3-POLE NON-FUSED DISCONNECT FOR WATER HEATER, VERIFY W/MFG.
- JUNCTION BOXES (4" OCTAGONAL) @ 48" A.F.F. FOR REMOTE ANSUL PULL STATION. ANSUL PULL IS TO BE RECESSED. E.C. SHALL PROVIDE AND INSTALL ALL CONDUIT CONCEALED WITHIN THE WALL. CONDUIT SHALL BE A STRAIGHT RUN WITH NO OFFSETS OR BENDS. E.C. SHALL PROVIDE APPROPRIATE DEPTH J-BOX TO ALLOW FOR A STRAIGHT CONNECTION TO THE CONDUIT. COORDINATE WITH M.C./HOOD SUPPLIER.
- CONTRACTOR TO VERIFY CONNECTION TO EQUIPMENT WITH EQUIPMENT SUPPLIER.
- ALL CONDUITS RUNNING FROM THE KITCHEN INTO THE COOLER SHALL BE SEALED TO PREVENT WARM AIR COMING INTO CONTACT WITH THE COOLER AIR AND CREATING A CONDENSATE ISSUE.
- SHOW WINDOW RECEPTACLE INSTALLED IN CEILING.
- J-BOX FOR CONNECTION TO AUTOMATIC SELF-CLOSING DRIVE-THRU WINDOW. FIELD COORDINATE EXACT LOCATION.
- AIR COOLED CONDENSER ON ROOF. ROUTE (2) #12 AND (1) #12 GROUND FROM ICE MACHINE TO CONDENSER. FURNISH AND INSTALL DISCONNECT SWITCH AT EACH LOCATION. POWERED THRU ICE MACHINE.
- PROVIDE NEMA 15-60P RECEPTACLE, NEMA 15-60P ANGLE PLUG 12" TO TOP OF RECEPT. BOX, CENTERED ON EACH VAT, WITH 6 FT. OF 4-#4 SO CORD. CONNECT FRYER, ON 60A BREAKER. VERIFY CONNECTION TYPE.
- OWNER TO FURNISH AND E.C. TO INSTALL CPI ELECTRICAL /CONTROL PANEL. COORDINATE EXACT REQUIREMENTS WITH OWNER PRIOR TO BIDS.
- IRRIGATION CONTROL SYSTEM RECEPTACLE MOUNTED AS INDICATED.
- INSTALL 2" GRS CONDUIT FOR IRRIGATION SYSTEM. EXTEND ABOVE CEILING AND 5 FEET BEYOND FOUNDATION. SEE IRRIGATION PLAN IN CIVIL DRAWINGS.
- INSTALL RECEPTACLE FOR BEVERAGE BAR WITHIN CABINET.
- E.C. TO VERIFY POWER REQUIREMENTS AND PLACEMENT WITH OWNER OR OWNERS REP PRIOR TO INSTALLATION OF FIRE ALARM SYSTEM. FOLLOW MANUFACTURERS GUIDELINES FOR INSTALLATION AND WIRING.
- COORDINATE WITH OWNERS CONSTRUCTION MANAGER.
- (2) 1" CONDUIT STUBBED ABOVE CEILING TERMINATED AT (2) 2x4 J-BOX AT 18" A.F.F. PROVIDE WITH 1" KNOCKOUT GROMMET IN COVER.
- MAKE-UP TABLE PANEL, SEE QF300 FOR ADDITIONAL INFORMATION.
- DOOR BUZZER. INSTALL LOW VOLT TRANSFORMER.
- AIR CURTAIN IS MOUNTED BY M.C. & WIRED THROUGH DOOR LIMIT SWITCH BY E.C.
- PROVIDE NEMA 6-30R RECEPTACLE. COORDINATE ELECTRICAL REQUIREMENTS WITH MANUFACTURER'S RECOMMENDATIONS.
- VERIFY HAND DRYER CONNECTION REQUIREMENTS WITH MANUFACTURER'S CUT SHEET.
- CIRCUIT HOOD LIGHTS THRU CIRCUIT "A-23".
- EVAPORATOR COILS, WIRED THRU CONDENSING UNITS, VERIFY WITH W.I.C. MFG.
- HOOD FIRE SYSTEM BOX FOR CHAR-BROILER VERIFY REQUIREMENT W/ OWNER PRIOR TO INSTALLATION, PROVIDE 120V/1P CIRCUIT AS SHOWN, J-BOX @ CEILING.
- GREASE TANK POWER AND DATA CONNECTION @ 72" A.F.F., VERIFY REQUIREMENTS W/ INSTALLER.
- SIMILAR TO NOTE 27 USED FOR FRENCH FRYER/GRIDDLE.
- SIMILAR TO NOTE 27 USED FOR OVENS.
- ALL WIRING FROM CPI SWITCHGEAR SHALL BE IN EMT CONDUIT FOR FIRST 6 FEET OF THE CONDUIT RUN MINIMUM. AFTER 6 FEET, MC CABLE IS PERMITTED, AS ALLOWED BY NEC. FOR THE REMAINING LENGTH OF CIRCUIT, GC/EC SHALL GIVE ITEMIZED DEDUCTION FOR USE OF MC CABLE IN LIEU OF EMT CONDUIT.
- EQUIPMENT TO BE WIRED CONTINUOUSLY. E.C. SHALL PROVIDE FLEX CONDUIT FROM 5"-0" OF EQUIPMENT CONNECTION. PROVIDE TRANSITION FROM EMT TO FLEX CONDUIT AS REQUIRED. NO BREAKS IN WIRING ALLOWED.

SCALE: 1/4"=1'-0"

### CODED NOTES

### GENERAL NOTES

- E.C. RESPONSIBLE TO SECURE AND PAY FOR ALL PERMITS, ADHERE TO ALL STATE, LOCAL AND NATIONAL ELECTRIC CODES, AND SCHEDULE INSPECTION TIMES AS TO NOT DELAY JOB PROGRESS.
- COORDINATE ALL WORK WITH OTHER TRADES TO ELIMINATE CONFLICTS ON THE JOB.
- PERFORM ALL WORK IN A NEAT AND PROFESSIONAL MANNER, AND SUPPLY ALL NEW EQUIPMENT AND ACCESSORIES.
- ALL LOW VOLTAGE AND LINE VOLTAGE WIRING TO BE IN EMT OR MC CABLE, AS ALLOWED BY N.E.C.
- REFER TO SHEET E-4 FOR CIRCUITS TO EQUIPMENT ON ROOF.
- ALL PENETRATIONS OF WALL, ROOF AND CEILINGS TO BE SEALED AS REQUIRED WITH FIRE SEALANT TO MAINTAIN FIRE RATING AS REQUIRED, VERIFY LOCATIONS W/ ARCH. FLOOR PLAN.
- MINIMUM SIZE CONDUIT TO BE 1/2" FOR INDIVIDUAL LIGHT FIXTURE CONNECTIONS, AND 3/4" FOR ALL OTHER LOCATIONS.
- FLEXIBLE CONDUIT TO BE SEAL-TITE OR APPROVED EQUAL.
- ALL WIRES AND CABLES SHALL BE SOFT-DRAWN COPPER-RATED 600 VOLTS, TYPE THHN/THWN. NO WIRE SMALLER THAN #12 AWG SHALL BE USED FOR LIGHTING OR POWER CIRCUITS. STRANDED CABLE SHALL BE USED FOR #8 AWG AND LARGER. ALL WIRING TO BE COLOR-CODED AS FOLLOWS:  
  
120/208 VOLT SYSTEM:  
NEUTRAL - WHITE  
PHASE A OR L1 - BLACK  
PHASE B OR L2 - RED  
PHASE C OR L3 - BLUE  
GROUND - GREEN
- ALL ELECTRICAL OUTLETS SHALL COMPLY WITH NEC 210.8 WHICH WILL REQUIRE ROOFS, MECH. ROOMS & KITCHEN TO BE GFCI PROTECTED. PROVIDE EITHER INDIVIDUAL GFI DEVICES OR GFI CIRCUIT BREAKERS, UNLESS SPECIFICALLY NOTED ON THE DRAWINGS OR SCHEDULES. IF OUTLETS ARE IN LOCATIONS NOT READILY ACCESSIBLE THEN THE CIRCUIT BREAKER SHALL BE GFCI & PROPERLY LABELED @ PANEL.

- PROVIDE FLEXIBLE CONDUIT FOR ALL VIBRATING EQUIPMENT, NOT TO EXCEED 3 FT. IN LENGTH.
- ALL CONDUIT AND WIRE TO BE CONCEALED IN WALLS AND CEILINGS.
- BALANCE ALL PANELS WITHIN 10% OF EACH PHASE LEG; BY SWITCH GEAR VENDOR.
- PROVIDE LABELS AND TAGS FOR ALL PANELS AND SWITCHGEAR EQUIPMENT. PROVIDE TYPED DIRECTORY OF ALL CIRCUITS LABELED BY ROOM NUMBER AND NAME; BY SWITCH GEAR VENDOR.
- RECEPTACLE MOUNTING HEIGHTS SHALL BE 18" A.F.F., UNLESS NOTED OTHERWISE. ALL MOUNTING HEIGHTS ARE ABOVE FINISHED FLOOR TO CENTERLINE OF OUTLET UNLESS NOTED OTHERWISE. REFER TO FOOD SERVICE DRAWING QF300
- CIRCUIT ALL EMERGENCY LIGHT FIXTURES TO UNSWITCHED CONDUCTORS OF ANY LOCAL SWITCHING.
- RECEPTACLES AND SWITCHES IN DINING AREA ARE TO BE GRAY WITH STAINLESS STEEL COVERS, RECEPTACLES AND SWITCHES IN KITCHEN AREA TO BE IVORY WITH STAINLESS STEEL COVERS.
- ALL WORK SHALL BE IN STRICT ACCORDANCE WITH ENFORCED VERSION OF THE NATIONAL ELECTRIC CODE AND ALL LOCAL CODES AND ORDINANCES. THE CONTRACTOR SHALL INQUIRE INTO AND COMPLY WITH ALL APPLICABLE CODES, ORDINANCES, AND REGULATIONS. AFTER CONTRACT IS ISSUED, NO ADDITIONAL COST DUE TO CODE ISSUES SHALL BE REIMBURSED BY THE OWNER TO THE CONTRACTOR.
- ANY FEES ASSOCIATED W/ CONSTRUCTION & INSPECTION SHALL BE BORNE BY THE CONTRACTOR IN ORDER TO DELIVER TO THE OWNER A FINISHED BUILDING, READY FOR OCCUPANCY AND 100% OPERATION.
- CONDUIT SHALL BE ELECTRICALLY CONTINUOUS FROM THE SERVICE EQUIPMENT TO ALL OUTLETS AND EQUIPMENT. IF NON-METALLIC CONDUIT IS USED, THEN EQUIPMENT GROUNDING CONDUCTORS SHALL BE RUN ELECTRICALLY CONTINUOUS FROM THE SERVICE EQUIPMENT IN ACCORDANCE WITH N.E.C.
- DUPLEX RECEPTACLES SHALL BE BRYANT #5352 OR EQUAL BY HUBBELL. SIMPLEX RECEPTACLES SHALL BE BRYANT #5351 OR EQUAL BY HUBBELL. FLOOR RECEPTACLES SHALL BE HUBBELL #SC3091 OR EQUAL. EACH SHALL BE GROUNDING TYPE DEVICES RATED AS SPECIFIED ON SHEET E-3.
- ALL PERMANENTLY CONNECTED EQUIPMENT SHALL BE PROVIDED WITH A LOCKABLE BREAKER CAPABLE OF BEING LOCKED IN THE OFF POSITION IN ACCORDANCE WITH NEC 422.31(B). EXTEND LIQUIDTIGHT FLEXIBLE METAL CONDUIT FROM JUNCTION BOX TO EQUIPMENT. SEE PANEL SCHEDULES, SHEET E3 FOR BREAKER INFORMATION.

NOTE: SEE SHEETS CPI-1.0 THRU CPI-2.3 FOR CPI INFORMATION RELATED TO WIRING OF CONTROLS & ENERGY MANAGEMENT.

NRD Project # 19187

**national restaurant architects & engineers**

3005 CARRINGTON MILL BLVD., SUITE 150  
MORRISVILLE, NORTH CAROLINA, 27560  
ph: 919-344-7251 fax: 919-344-9399

A Division of LMHT Associates

PROFESSIONAL SEAL  
17561

LMHT ENGINEER LICENSE  
NUMBER - C-1869

**Handee**

CHARACTER DESIGN & PROTOTYPING

HARDEES STANDARD PROTOTYPE  
NC HWY 87 & BUFFALO RD.  
CAMERON, NC 28528

**BODDE-NOELL ENTERPRISES, INC.**  
P.O. BOX 1908  
ROCKY MOUNT, NC 27802-1908  
(252) 867-2800

**OWNER**

**REVISIONS**

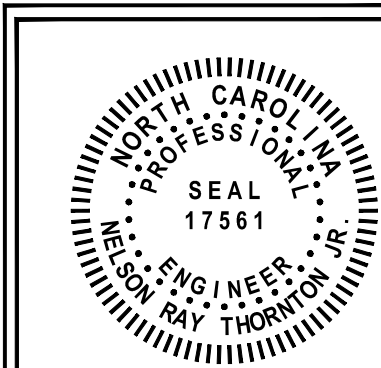
NO.	DESCRIPTION	DATE
1	BONE IN CHICKEN	9/24/20

DRAWN BY: \_\_\_\_\_ CHECKED BY: \_\_\_\_\_

**ELECTRICAL POWER PLAN**

DATE: 01-31-2020

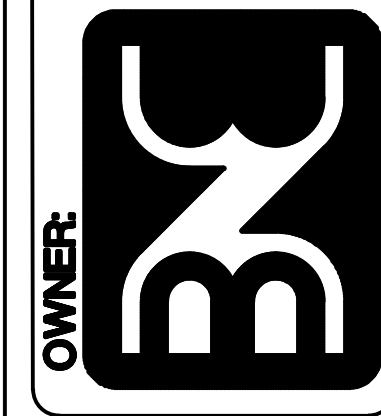
SHEET NUMBER: **E1**



LMHT ENGINEER LICENSE  
 NUMBER - C-1369



**BODDE-NOELL ENTERPRISES, INC.**  
 P.O. BOX 1908  
 ROCKY MOUNT, N.C.  
 27802-1908  
 (252) 867-2800



NO.	REVISIONS	DATE
1	BONE IN CHICKEN	3/24/20

DRAWN BY: CHECKED BY:

**C/R SYSTEMS PLAN**

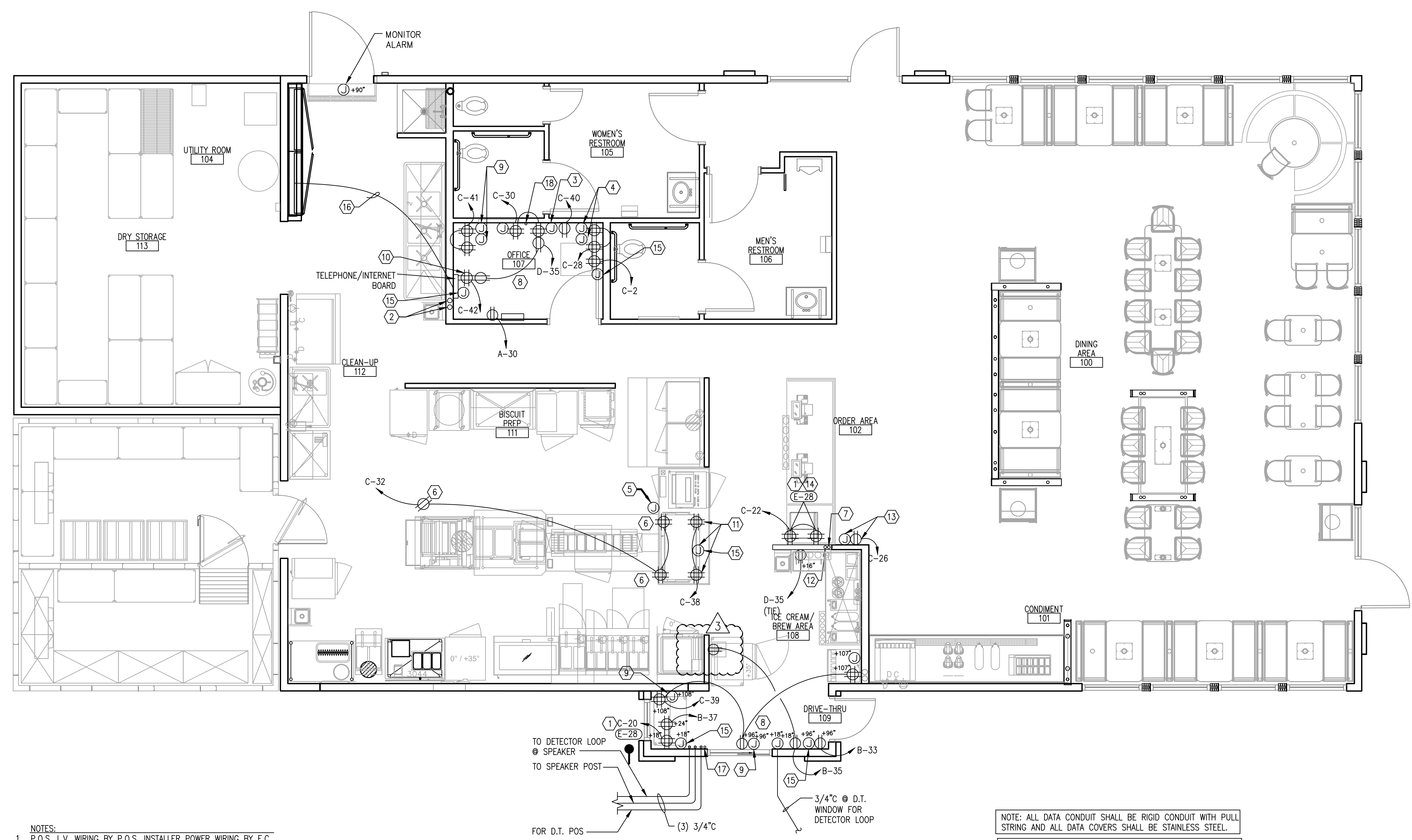
DATE: 01-31-2020

SHEET NUMBER:

**E1.1**

**ELECTRICAL LEGEND**

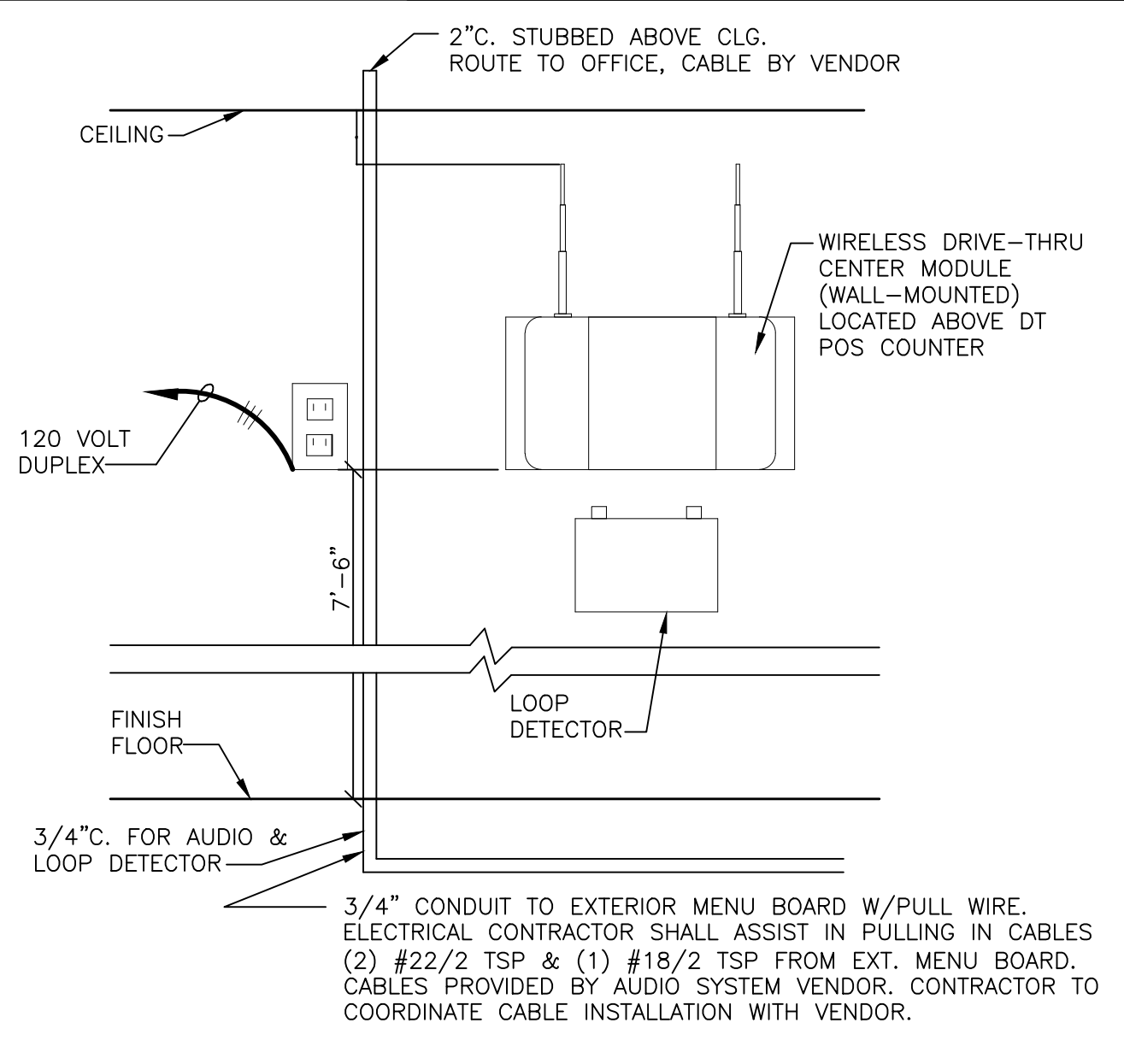
- ⊕ 120 VOLT SIMPLEX RECEPTACLE
- ⊕ 120 VOLT DUPLEX RECEPTACLE
- ⊕ 120 VOLT DUPLEX RECEPTACLE MOUNTED UNDER COUNTER
- ⊕ 120 VOLT DUPLEX RECEPTACLE CEILING MOUNTED
- ⊕ 208 VOLT, 1 OR 3 PHASE SINGLE RECEPTACLE
- ⊕ 208 VOLT, 3 PHASE SINGLE RECEPTACLE (TWIST LOCK)
- ⊕ 120 VOLT DUPLEX RECEPTACLE (WEATHER PROOF)
- ⊕ 120 VOLT QUAD RECEPTACLE (WEATHER PROOF)
- ▶ TELEPHONE JACK
- ▷ DATA JACK
- ▷ PHONE/DATA JACK
- ⊕ MOTOR AND NON-FUSED DISCONNECT
- ⊕ 2-POLE WALL SWITCH
- ⊕ JUNCTION BOX
- ⊕ HOMERUN
- ⊕ SPECIAL PURPOSE OUTLET, 208/240 VOLT AS INDICATED, GROUND TYPE



- NOTES:**
- P.O.S. L.V. WIRING BY P.O.S. INSTALLER POWER WIRING BY E.C.
  - L.V. SPEAKER WIRING BY SPEAKER INSTALLER.
  - MONITOR CABLE WIRING BY MONITOR INSTALLER, POWER WIRING BY E.C.

NOTE: ALL DATA CONDUIT SHALL BE RIGID CONDUIT WITH PULL STRING AND ALL DATA COVERS SHALL BE STAINLESS STEEL.

NOTE: REFER TO PANEL SCHEDULES SHEET E3 FOR INDICATION OF WHICH CIRCUITS WILL BE CIRCUITED THROUGH THE ENERGY CONTROL PANEL.



DRIVE THRU AUDIO SYSTEM DETAIL N.T.S. 1

**C/R SYSTEM PLANS**

SCALE: 1/4"=1'-0"

- COORDINATE WITH OWNER FOR INFORMATION ON INSTALLATION AND WIRING REQUIREMENTS FOR P.O.S. COMPUTERIZED CASH REGISTER SYSTEM. INSTALLED BY ELECTRICAL CONTRACTOR. VERIFY REQUIREMENTS WITH POS SUPPLIER PRIOR TO BID.
- PROVIDE (2) 2" CONDUIT FOR TELEPHONE & HIGH SPEED INTERNET. COORDINATE STUB OUT OF WALL W/OWNER.
- 2" CONDUIT TO ABOVE CEILING FOR SPEAKER WIRING. TERMINATE IN 4 X 4 BOX WITH 2" RUBBER GROMMET HOLE IN COVER.
- SECURITY SYSTEM TO BE PROVIDED UNDER SEPARATE CONTRACT.
- INSTALL SINGLE J-BOX WITH SS COVER WITH 2" RUBBER GROMMET HOLE. EXTEND 2" CONDUIT TO ABOVE CEILING (FOR FAST TRACK TIMER). SEE AUDIO SYSTEM DETAIL THIS SHEET.
- MOUNTED IN CEILING.
- 2" CONDUIT FROM BELOW FRONT COUNTER TO ABOVE CEILING WITH PULL WIRE FOR POS WIRING.
- ELECTRICAL, DATA AND PHONE OUTLETS IN OFFICE AND DRIVE THRU ARE PROTOTYPICAL. VERIFY FINAL PLACEMENT AND MOUNTING WITH OWNERS REPRESENTATIVE PRIOR TO INSTALLATION.
- 2" CONDUITS TO ABOVE CEILING FOR POS.
- ALL POS EQUIPMENT TO BE CIRCUITED TO AN ISOLATED GROUND (IG) CIRCUIT.
- RECEPTACLE AND J-BOX TO BE MOUNTED TO BACKSIDE OF BAFFLE WALL AS SHOWN.
- (2) 1" CONDUIT STUBBED ABOVE CEILING TERMINATED AT (2) 2x4 J-BOX AT 18" A.F.F. PROVIDE WITH 1" RUBBER GROMMET HOLE IN COVER.
- MOUNT 6" BELOW CEILING FOR SECURITY CAMERA.
- MOUNT ON WALL ADJACENT TO COUNTER STRUCTURE, COORDINATE W/OWNER.
- E.C SHALL INSTALL 4" X 4" J-BOX WITH A STAINLESS STEEL COVER WITH 2" RUBBER GROMMET HOLE AND EMPTY 2" CONDUIT WITH PULL STRING IN WALL TO 6" ABOVE CEILING FOR ROUTING OF DATA AND HDMI CABLES AS REQUIRED. SEE DIGITAL MENU BOARD DETAIL ON SHEET E2 FOR MENU BOARD BAFFLE WALL LOCATION.
- PULL #6 INSULATED COPPER GROUND ABOVE OFFICE CEILING FROM PHONE BOARD TO GROUND BUSS IN CPI PANEL.
- PROVIDE 1" EMPTY CONDUIT WITH PULL STRING AT 72" AFF. (NO J-BOX) FOR BUMP BAR.
- PROVIDE 3/4" EMPTY CONDUIT WITH PULL STRING AT 26" AFF.(NO J-BOX) FOR SECURITY.

NOTE: SEE SHEETS CPI-1.0 THRU CPI-2.3 FOR CPI INFORMATION RELATED TO WIRING OF CONTROLS & ENERGY MANAGEMENT.

**CODED NOTES**



NO.	DESCRIPTION	DATE
1	BONE IN CHICKEN	9/24/20

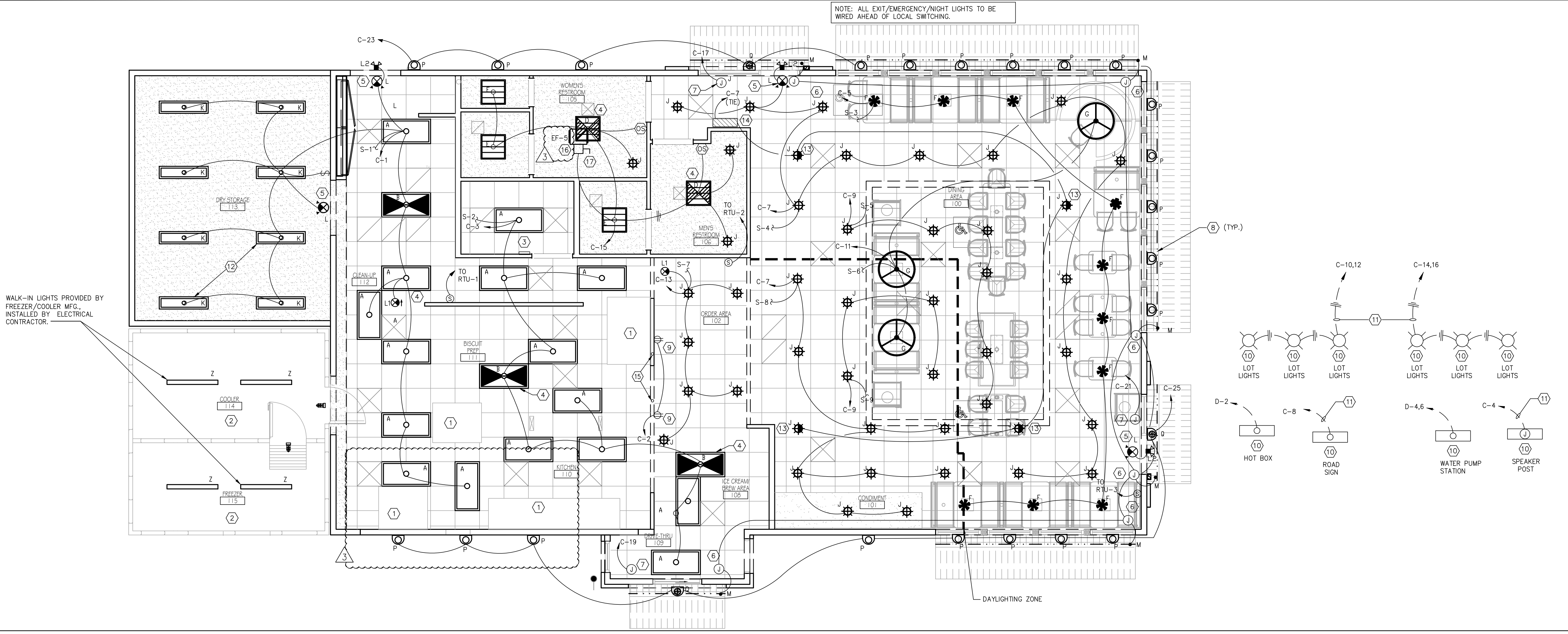
DRAWN BY: CHECKED BY:

**LIGHTING PLAN**

DATE: 01-31-2020

SHEET NUMBER:

**E2**



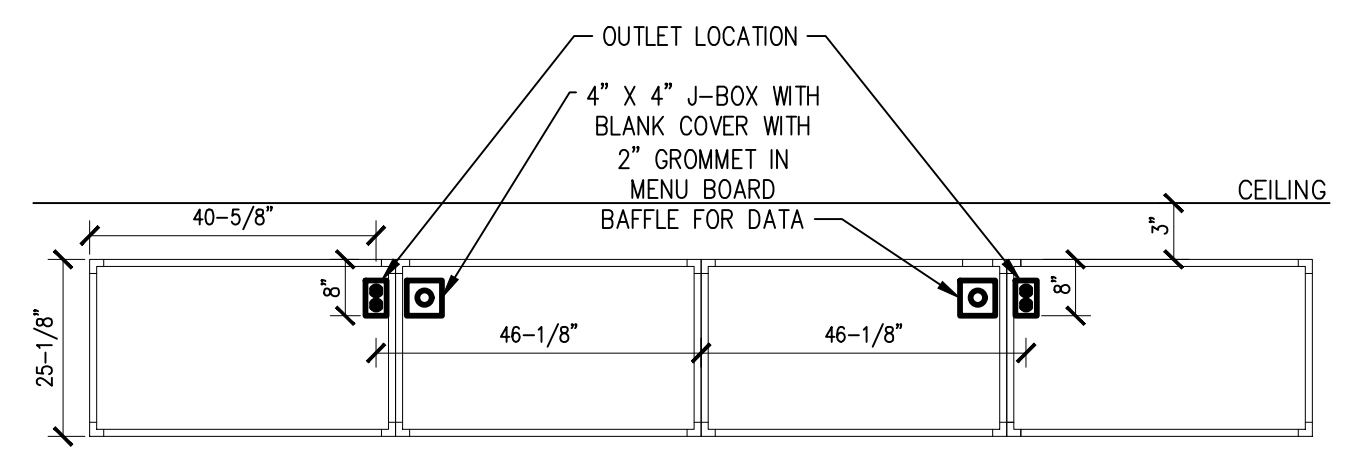
WALK-IN LIGHTS PROVIDED BY FREEZER/COOLER MFG., INSTALLED BY ELECTRICAL CONTRACTOR.

LIGHTING PLAN

SCALE: 1/4"=1'-0" 1

LIGHTING FIXTURE SCHEDULE							
FIXTURE TYPE	SYMBOL	DESCRIPTION	MANUFACTURER & MODEL NUMBER	LAMP TYPE	LAMP WATTAGE	REMARKS	GENERAL NOTE
A	[Symbol]	2x4' Lx4" IN LED W/ PRISMATIC LENS LED LAMP TRAFFIC W/ REFLECTOR AND DRIVER	SECURITY LITE (COLUMBIA) L1724-40MLG-PSA12 EU	LED	52W	G.C. TO ORDER APPROPRIATE MOUNTING HARDWARE AS REQUIRED FOR PROPER CEILING INSTALLATION.	
B	[Symbol]	SIMILAR TO "A" W/ BUILT INVERTERS FOR EMERGENCY LIGHTING.	SECURITY LITE (COLUMBIA) L1722-40MLG-PSA12 EU W/ ELL14	LED	52W		
D	[Symbol]	2x2' RECESSED LED W/ PRISMATIC LENS LED LAMP FIXTURE W/ ENHANCED ALUM REFLECTOR W/ INVERTER FOR EMERGENCY LIGHTING.	SECURITY LITE (COLUMBIA) L1722-40MLG-PSA12 EU W/ ELL14	LED	35W		LOOKS LIKE GRID & LOT. NOT W/ HORIZONTAL SCREEN.
E	[Symbol]	SIMILAR TO "D" W/ OUT INVERTER	SECURITY LITE (COLUMBIA) L1722-40MLG-PSA12 EU	LED	35W		LOOKS LIKE GRID & LOT. NOT W/ HORIZONTAL SCREEN.
F	[Symbol]	PENDANT FIXTURE	SECURITY LITE (COLUMBIA) 23451 AUL OPL	LED	6W	HELIX PENDANT OPAL LESS TRAP	
G	[Symbol]	PENDANT FIXTURE	SECURITY LITE (COLUMBIA) L04495-308ED-85-GEN3	LED	27W	LARGE DRUM PENDANT WITH 1/8"x30" DIA. SHADE, WITH 8 LED LAMPS 3500K	
J	[Symbol]	RECESSED LED DOWN LIGHT	SECURITY LITE (COLUMBIA) F156LUD1-K-35K-8-WH1 DBVCL	LED	12W	PROVIDE WHITE TRIMS & BLACK TRIMS FOR THE WHITE CLG. & BLACK CLG.'S	DINING ROOM CEILING
K	[Symbol]	DRY STORAGE/OUTLET AREA - 1/4" RECESSED LED	SECURITY LITE (COLUMBIA) L1114-40MLG-PSA12F-EDU-WP	LED	26W	GYP. BOARD MOUNTING KIT 1/4" RECESSED LED WITH WHP	
L	[Symbol]	EMERGENCY SIGN LIGHT COMBO W/ REMOTE OUTDOOR FIXTURE	SECURITY LITE (COLUMBIA) EVLUR804	LED	3.65W	EMERGENCY COMBO SIGN SHALL BE WHITE	
L1	[Symbol]	EXIT SIGN	SECURITY LITE (COLUMBIA) EVLUR804	LED	1.42W	EXIT LIGHT SHALL BE WHITE	
L2	[Symbol]	REMOTE OUTDOOR DUAL HEAD EMERGENCY LIGHT FIXTURE	SECURITY LITE (COLUMBIA) EVLUR804	LED	6W	REMOTE FIXTURE SHALL BE BLACK.	
M	[Symbol]	AWNING LED	---	---	---	LED SUPPLIED W/ AWNING. G.C. TO SUPPLY/CONNECT POWER.	
P	[Symbol]	AWNING UPLIGHT & DOWNLIGHT	SECURITY LITE (COLUMBIA) F195C-72L-56-LED-LI-BK	LED	25W	WALL SCONCE, UPDOWN LIGHTING, 25 WATT, BLACK FINISH	
Q	[Symbol]	AWNING DOWNLIGHT ONLY	SECURITY LITE (COLUMBIA) F195C-36L-56-LED-LI-BK	LED	14W	WALL SCONCE, DOWN LIGHTING, 14 WATT, BLACK FINISH	
T1	[Symbol]	SITE LIGHT	---	---	---	---	SEE CIVIL DWGS. FOR LOCATION
T2	[Symbol]	SITE LIGHT	---	---	---	---	SEE CIVIL DWGS. FOR LOCATION
Z	[Symbol]	FREEZER LIGHTS-VAPOR TYPE	SEE REMARKS	FLUOR.	64W	FIXTURES AND LAMPS PROVIDED BY MFG. - INSTALLATION BY G.C.	

LIGHT FIXTURE SCHEDULE



MENU BOARD DETAIL  
INSTALL TWO OUTLETS, ONE 46-1/8" FROM THE CENTER ON EACH SIDE AND 8" FROM THE TOP OF THE DISPLAY. (MENU BOARD OUTLETS SHALL BE 360 ELECTRICAL #36010 ROTATING DUPLEX OUTLET)

E.C. SHALL INSTALL 4" X 4" J-BOX WITH A STAINLESS STEEL COVER WITH 2" GROMMET HOLE AND EMPTY 2" CONDUIT WITH PULL STRING IN MENU BOARD BAFFLE WALL TO 6" ABOVE CEILING FOR ROUTING OF DATA AND HDMI CABLES AS REQUIRED.

DIGITAL MENU BOARD OUTLET LOCATIONS

LIGHT SWITCH SCHEDULE (3)		
LIGHT SWITCH	LIGHT CIRCUIT	LOCATION SERVED
S-1	C-1	KITCHEN AREAS
S-2	C-3	KITCHEN AREAS
S-3	C-5	DINING PENDANTS
S-4	C-7	DOWN LIGHTS-DINING (DAYLIGHT ZONE)
S-5	C-9	DOWN LIGHTS-DINING (DAYLIGHT ZONE)
S-6	C-11	LARGE DINING PENDANTS
S-7	C-13	DOWNLIGHTS
S-8	C-7	DOWN LIGHTS-DINING
S-9	C-9	DOWN LIGHTS-DINING

\*E.C. SHALL PROPERLY LABEL SWITCH BANK WITH LOCATION SERVED BY EACH SWITCH.

LIGHT SWITCH SCHEDULE

- NOTES:
- CONNECT CIRCUIT TO EXHAUST HOOD LIGHTS AND PROVIDE FLAME-GARD LED HOOD LAMPS OR APPROVED EQUAL. SEE SHEET E4 FOR FAN CIRCUITRY, CIRCUIT A-23 (HOOD LIGHTS)
  - SEE SHEET E1 FOR WALK-IN BOX LIGHTING CIRCUITS.
  - ALL WALL SWITCHES SHALL BE TOTALLY ENCLOSED TYPE RATED AT 20 AMPS, 120/277 VOLTS, BRYANT #4901 OR EQUAL W/ STAINLESS STEEL COVER PLATE. LABEL LOCATION SERVED WITH A PLASTIC LAMINATED LABEL. SEE "LIGHT SWITCH SCHEDULE" THIS SHEET.
  - NIGHT LIGHT - LAMPS TO REMAIN ON @ ALL TIMES. CONNECT EMERGENCY BALLAST TO UNSWITCHED CONDUCTORS.
  - CONNECT TO UNSWITCHED CONDUCTORS.
  - J-BOX ABOVE CEILING W/ 1/2" CONDUIT THRU WALL FOR CONNECTION TO LED LIGHTING @ BUILDING AWNINGS. SIGN COMPANY TO RUN LED LIGHTING INTO J-BOXES.
  - WEATHERPROOF JUNCTION BOX FOR BUILDING SIGNS MOUNTED @ LOCATION AS DIRECTED BY SIGN INSTALLER, FURNISH DISCONNECT AS REQUIRED WIRED THRU INTEGRATED CONTROL PANEL.
  - LED LIGHTING FURNISHED W/ AWNINGS.
  - FOR INTERIOR MENU BOARD, VERIFY LOCATION WITH OWNER'S REPRESENTATIVE & SEE DETAIL THIS SHEET.
  - SEE SITE PLAN FOR EXACT LOCATION.
  - #8'S, 1" C MINIMUM.
  - COORDINATE W/ ROOF STRUCTURE
  - EMERGENCY/ NIGHT LIGHTS TO BE WIRED TO RECESSED INVERTER, WIRE PER MFG.
  - RECESSED INVERTER FOR EMERGENCY/ NIGHT LIGHTS IN DINING ROOM AREA. WIRE PER MFG.
  - PROVIDE 2" EMPTY CONDUITS WITH J-BOX WITH STAINLESS STEEL COVER PLATE WITH 2" RUBBER GROMMET HOLE ADJACENT TO OUTLETS FOR CABLING. VERIFY W/ OWNER PRIOR TO INSTALLATION.
  - TOILET EXHAUST FAN TO BE CONTROLLED BY OCCUPANCY SENSOR IN RESTROOMS. FURNISH NECESSARY RELAY & CONTACTORS FOR COMPLETE OPERATION
  - DISCONNECT SWITCH PROVIDED WITH FAN.
  - OCCUPANCY SENSOR - MOUNT @ 54" A.F.F., FURNISHED BY CPI & INSTALLED BY E.C. SEE SHEET OPT SHEETS (CPI 2 & 3) FOR WIRING DIAGRAMS.

GENERAL NOTES:  
NO EXTERIOR J-BOXES ON POLE LIGHTS, COORDINATE WITH MFG. ON PLACEMENT IN POLE BASE

POLE LIGHT ANCHOR BOLTS SHALL BE BONDED WITH REBAR IN POLE BASE FOR LIGHTNING PROTECTION PER NEC AND NFPA 780. COORDINATE WITH CIVIL DRAWINGS.

NOTE: SEE SHEETS CPI-1.0 THRU CPI-2.3 FOR CPI INFORMATION RELATED TO WIRING OF CONTROLS & ENERGY MANAGEMENT.

SHEET NOTES

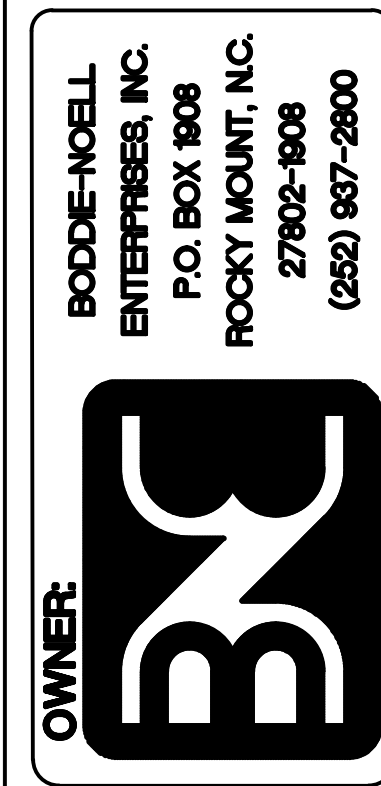
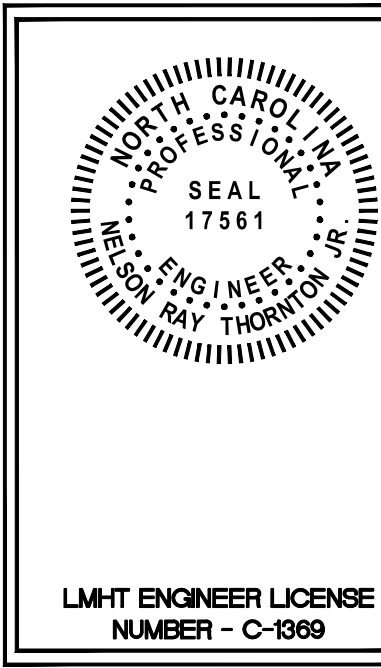


Table with columns: REVISIONS, NO., DESCRIPTION, DATE, DRAWN BY, CHECKED BY.

SCHEDULES/ELECTRICAL DISTRIBUTION DATE: 01-31-2020 SHEET NUMBER: E3

Panel "A" wiring schedule table with columns: CKT. #, DESCRIPTION, NOTE, BREAKER, LOAD (KVA), AMP., POLE, DESCRIPTION, CKT. #.

Panel "A" summary form including VOLTAGE, LOCATION, WIRE, RATING, and ITEMS table (RECEPTACLES, KITCHEN, HVAC, LIGHTS).

Panel "B" wiring schedule table with columns: CKT. #, DESCRIPTION, NOTE, BREAKER, LOAD (KVA), AMP., POLE, DESCRIPTION, CKT. #.

Panel "B" summary form including VOLTAGE, LOCATION, WIRE, RATING, and ITEMS table (RECEPTACLES, KITCHEN, HVAC, LIGHTS).

Panel "C" wiring schedule table with columns: CKT. #, DESCRIPTION, NOTE, BREAKER, LOAD (KVA), AMP., POLE, DESCRIPTION, CKT. #.

Panel "C" summary form including VOLTAGE, LOCATION, WIRE, RATING, and ITEMS table (RECEPTACLES, KITCHEN, HVAC, LIGHTS).

Panel "D" wiring schedule table with columns: CKT. #, DESCRIPTION, NOTE, BREAKER, LOAD (KVA), AMP., POLE, DESCRIPTION, CKT. #.

Panel "D" summary form including VOLTAGE, LOCATION, WIRE, RATING, and ITEMS table (RECEPTACLES, KITCHEN, HVAC, LIGHTS).

Panel "MDP" wiring schedule table with columns: CKT. #, DESCRIPTION, NOTE, BREAKER, LOAD (KVA), AMP., POLE, DESCRIPTION, CKT. #.

Panel "MDP" summary form including VOLTAGE, LOCATION, WIRE, RATING, and ITEMS table (RECEPTACLES, KITCHEN, HVAC, LIGHTS).

Panel "A" wiring schedule table with columns: CKT. #, DESCRIPTION, NOTE, BREAKER, LOAD (KVA), AMP., POLE, DESCRIPTION, CKT. #.

Panel "A" summary form including VOLTAGE, LOCATION, WIRE, RATING, and ITEMS table (RECEPTACLES, KITCHEN, HVAC, LIGHTS).

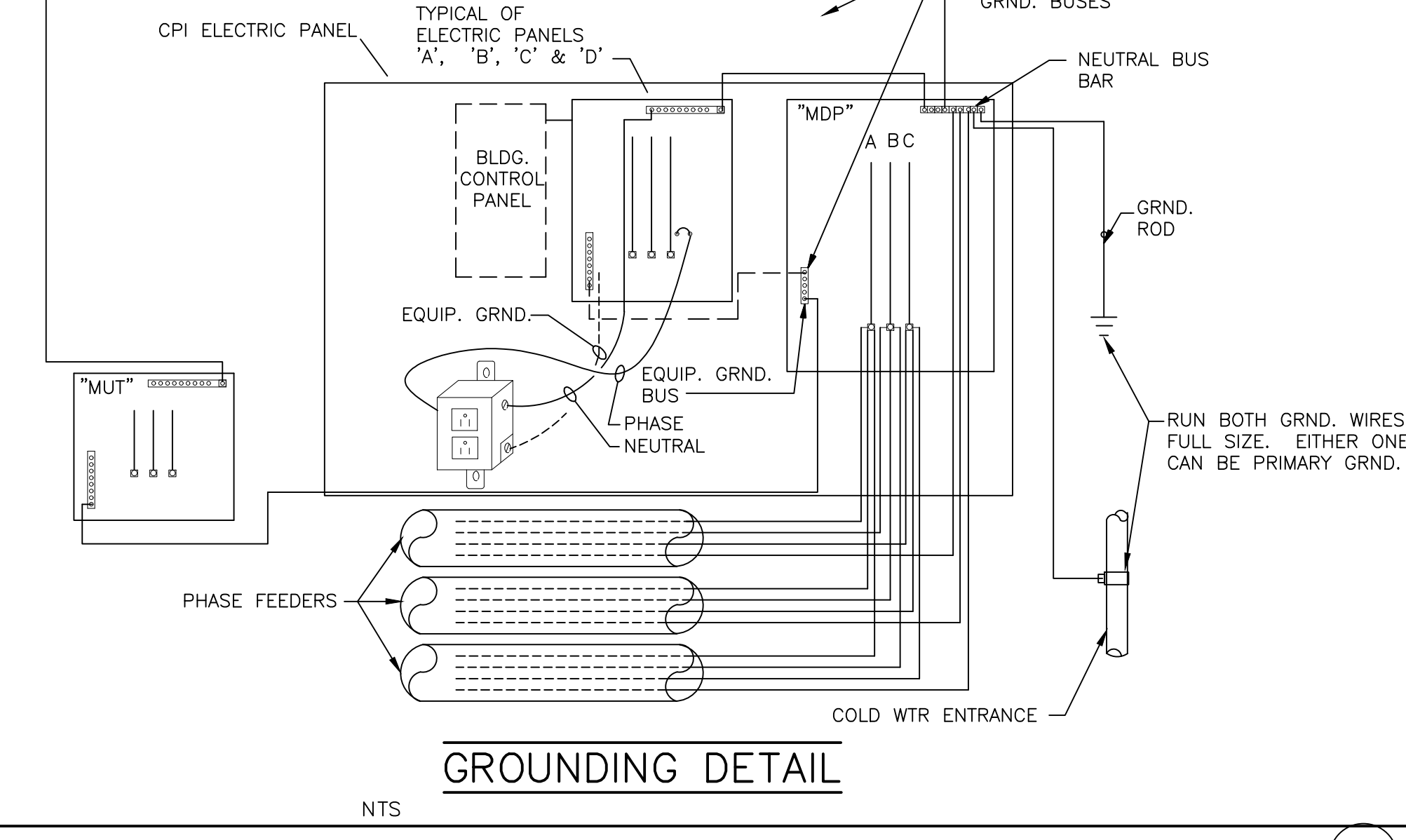
Panel "A" wiring schedule table with columns: CKT. #, DESCRIPTION, NOTE, BREAKER, LOAD (KVA), AMP., POLE, DESCRIPTION, CKT. #.

Panel "A" summary form including VOLTAGE, LOCATION, WIRE, RATING, and ITEMS table (RECEPTACLES, KITCHEN, HVAC, LIGHTS).

POWER LOAD SUMMARY (KVA) table with columns: PANEL, RECEPTACLE LOAD, KITCHEN LOAD, HVAC LOAD, INTERIOR LIGHTING LOAD, EXTERIOR LIGHTING LOAD, MISCELLANEOUS LOADS, TOTAL CONNECTED LOAD.

SERVICE CALCULATION PER NEC 220.88 table with columns: TOTAL CONNECTED KVA, DEMAND KVA, TOTAL DEMAND AMPERES.

FAULT CURRENT CALCULATIONS table with sections: Basic Assumptions, Short circuit current through each cable segment, and FAULT CURRENT CALCULATION NOTES.



E.C. SHALL VERIFY WITH LAHJ AND LOCAL UTILITY CONSTRUCTION GUIDELINES TO ENSURE FULL COMPLIANCE WITH ELECTRICAL SERVICE REQUIREMENTS...

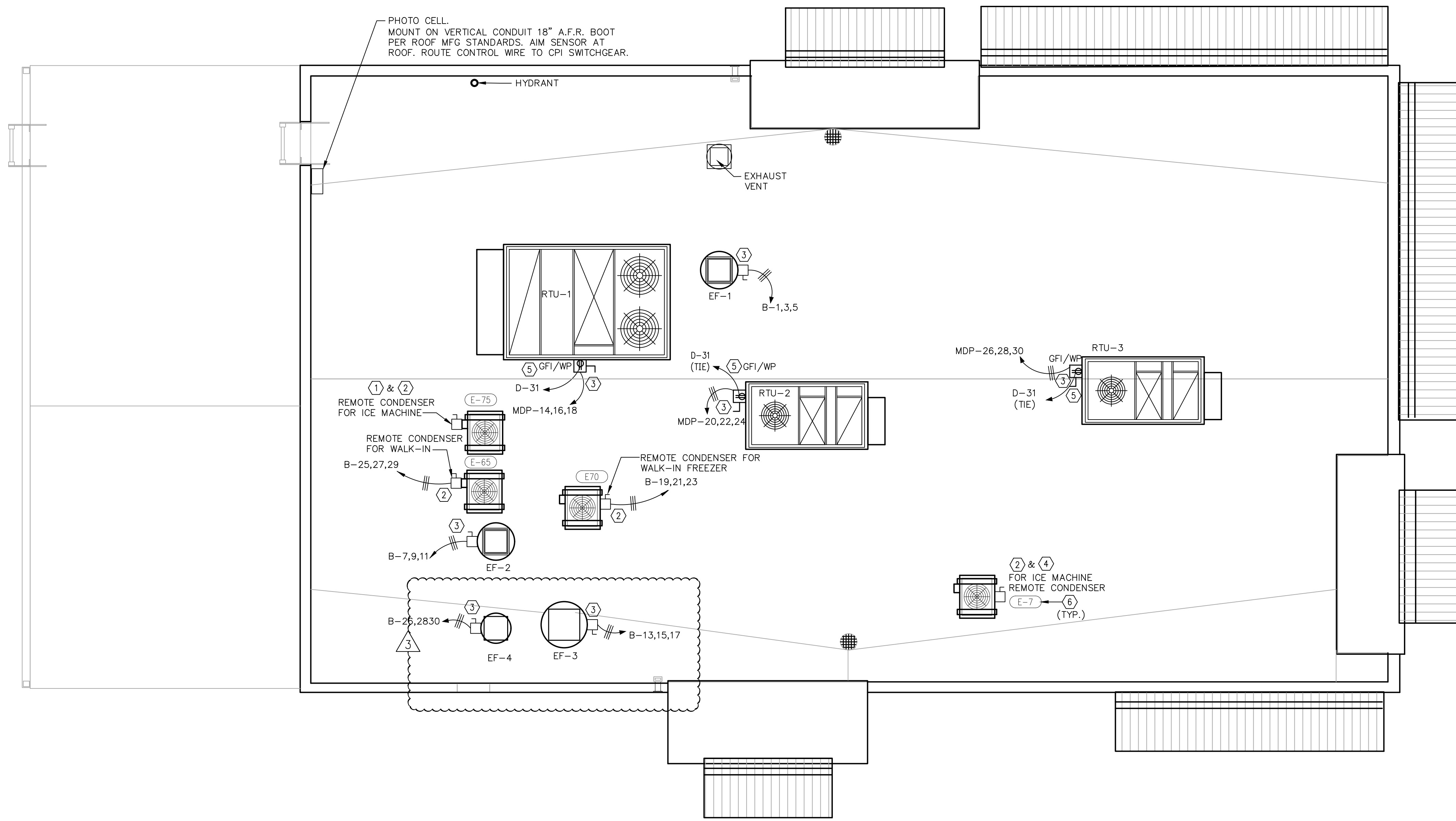
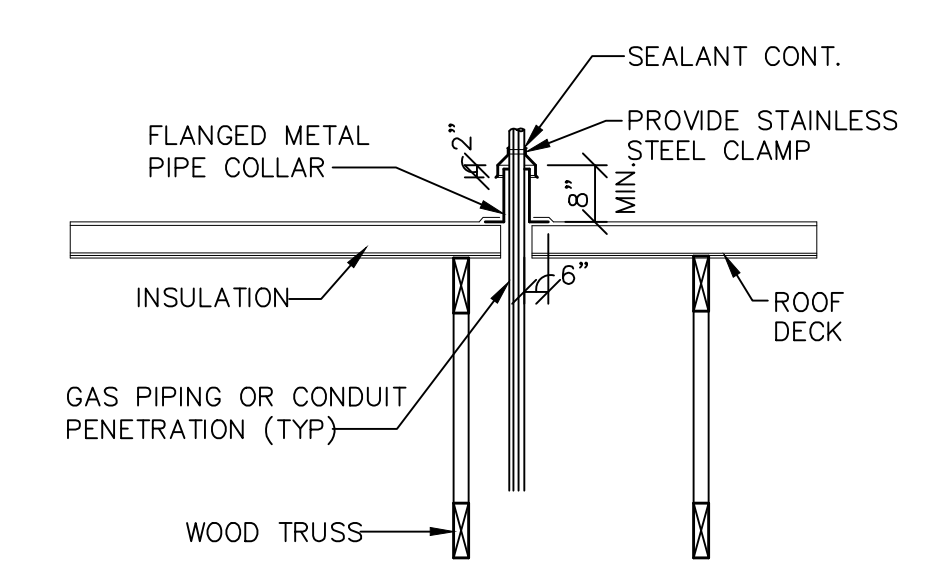


PHOTO CELL  
 MOUNT ON VERTICAL CONDUIT 18" A.F.R. BOOT  
 PER ROOF MFG STANDARDS. AIM SENSOR AT  
 ROOF. ROUTE CONTROL WIRE TO CPI SWITCHGEAR.

ROOF POWER PLAN

SCALE: 1/4"=1'-0" 1

NOTE: SEE SHEETS CPI-1.0 THRU CPI-2.3  
 FOR CPI INFORMATION RELATED TO WIRING  
 OF CONTROLS & ENERGY MANAGEMENT.



PIPE SEAL THRU ROOF

N.T.S. 3 SHEET NOTES

- NOTES:**
- ICE MACHINE CONDENSER POWERED FROM ICE MACHINE IN KITCHEN.
  - E.C. TO FURNISH & INSTALL NEMA 3R WEATHERPROOF DISCONNECT.
  - NEMA 3R DISCONNECT SWITCH FURNISHED W/ EQUIPMENT.
  - ICE MACHINE CONDENSER POWERED FROM ICE MACHINE ON BEVERAGE TOWER AT SELF SERVE BAR.
  - WP/ GFCI 20A DUPLEX FACTORY INSTALLED W/ RTU, E.C. TO PROVIDE WIRING.
  - EQUIPMENT TAGS, SEE QF100 & QF300 FOR ADDITIONAL INFORMATION

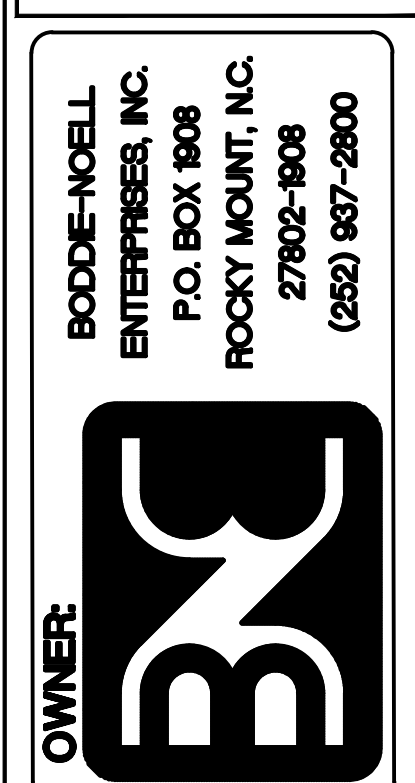
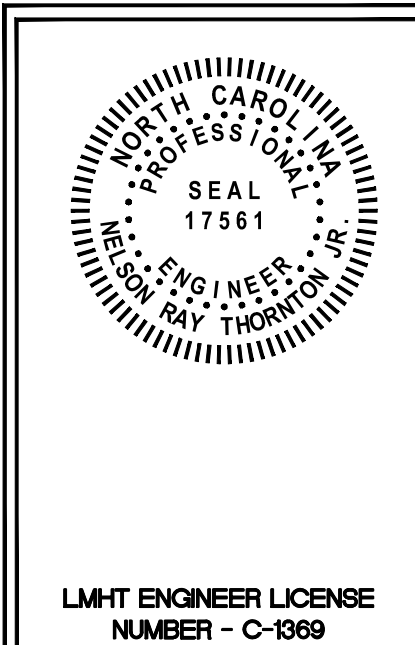
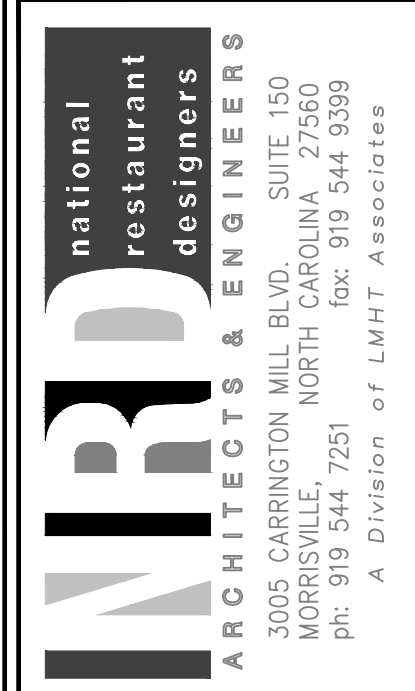
**GENERAL NOTE:**

- ROOFTOP RECEPTACLES REQUIRED WITHIN 25' OF MECHANICAL EQUIPMENT.

NO.	REVISIONS	DESCRIPTION	DATE
1	REVISIONS		
2	REVISIONS		
3	REVISIONS		
4	REVISIONS		
5	REVISIONS		
6	REVISIONS		
7	REVISIONS		
8	REVISIONS		
9	REVISIONS		
10	REVISIONS		
11	REVISIONS		
12	REVISIONS		
13	REVISIONS		
14	REVISIONS		
15	REVISIONS		
16	REVISIONS		
17	REVISIONS		
18	REVISIONS		
19	REVISIONS		
20	REVISIONS		
21	REVISIONS		
22	REVISIONS		
23	REVISIONS		
24	REVISIONS		
25	REVISIONS		
26	REVISIONS		
27	REVISIONS		
28	REVISIONS		
29	REVISIONS		
30	REVISIONS		
31	REVISIONS		
32	REVISIONS		
33	REVISIONS		
34	REVISIONS		
35	REVISIONS		
36	REVISIONS		
37	REVISIONS		
38	REVISIONS		
39	REVISIONS		
40	REVISIONS		
41	REVISIONS		
42	REVISIONS		
43	REVISIONS		
44	REVISIONS		
45	REVISIONS		
46	REVISIONS		
47	REVISIONS		
48	REVISIONS		
49	REVISIONS		
50	REVISIONS		
51	REVISIONS		
52	REVISIONS		
53	REVISIONS		
54	REVISIONS		
55	REVISIONS		
56	REVISIONS		
57	REVISIONS		
58	REVISIONS		
59	REVISIONS		
60	REVISIONS		
61	REVISIONS		
62	REVISIONS		
63	REVISIONS		
64	REVISIONS		
65	REVISIONS		
66	REVISIONS		
67	REVISIONS		
68	REVISIONS		
69	REVISIONS		
70	REVISIONS		
71	REVISIONS		
72	REVISIONS		
73	REVISIONS		
74	REVISIONS		
75	REVISIONS		
76	REVISIONS		
77	REVISIONS		
78	REVISIONS		
79	REVISIONS		
80	REVISIONS		
81	REVISIONS		
82	REVISIONS		
83	REVISIONS		
84	REVISIONS		
85	REVISIONS		
86	REVISIONS		
87	REVISIONS		
88	REVISIONS		
89	REVISIONS		
90	REVISIONS		
91	REVISIONS		
92	REVISIONS		
93	REVISIONS		
94	REVISIONS		
95	REVISIONS		
96	REVISIONS		
97	REVISIONS		
98	REVISIONS		
99	REVISIONS		
100	REVISIONS		

DATE: 01-31-2020

SHEET NUMBER:  
**E4**



NO.	REVISIONS DESCRIPTION	DATE
1	HVAC UPDATES	8/6/20

DRAWN BY: \_\_\_\_\_ CHECKED BY: \_\_\_\_\_

**VOLTAGE DROP CALCULATION**

DATE: 01-31-2020

SHEET NUMBER: **E7**

**VOLTAGE DROP CALCULATIONS - PANEL 'A'**

Circuit #	Load (kW)	Load (A)	Load Type	Sets of Wires	Length	Voltage	Wire Size	Wire Type	Conduit Type	Z (Ω/ft)	% Voltage Drop
A-1	0.20	1.67	Kitchen	1	50 ft	120/1	#12	Cu	Metallic	2.000	0.3
A-3	1.92	16.00	Kitchen	1	45 ft	120/1	#12	Cu	Metallic	2.000	2.4
A-5	1.92	16.00	Kitchen	1	15 ft	120/1	#12	Cu	Metallic	2.000	0.8
A-7	0.36	3.00	Kitchen	1	15 ft	120/1	#12	Cu	Metallic	2.000	0.2
A-9	0.76	6.29	Kitchen	1	55 ft	120/1	#12	Cu	Metallic	2.000	1.2
A-11	0.76	6.29	Kitchen	1	55 ft	120/1	#12	Cu	Metallic	2.000	1.2
A-13	0.50	4.17	Kitchen	1	40 ft	120/1	#12	Cu	Metallic	2.000	0.6
A-15	5.03	48.37	Kitchen	1	35 ft	208/1	#1	Cu	Metallic	0.160	0.5
A-17	5.03	48.37	Kitchen	1	35 ft	208/1	#1	Cu	Metallic	0.160	0.5
A-19	7.82	75.19	Kitchen	1	30 ft	208/1	#1	Cu	Metallic	0.160	0.7
A-21	7.82	65.17	Kitchen	1	30 ft	120/1	#1	Cu	Metallic	0.160	0.5
A-23	1.50	12.50	Kitchen	1	35 ft	120/1	#12	Cu	Metallic	2.000	1.5
A-25	0.68	5.74	Kitchen	1	30 ft	120/1	#12	Cu	Metallic	2.000	0.6
A-29	2.10	17.50	Kitchen	1	28 ft	120/1	#12	Cu	Metallic	2.000	1.6
A-31	2.03	19.52	Kitchen	1	25 ft	208/1	#10	Cu	Metallic	1.200	1.1
A-33	2.03	19.52	Kitchen	1	25 ft	208/1	#10	Cu	Metallic	1.200	1.1
A-35	0.40	3.29	Kitchen	1	45 ft	120/1	#12	Cu	Metallic	2.000	0.5
A-37	0.96	8.00	Kitchen	1	25 ft	120/1	#12	Cu	Metallic	2.000	0.7
A-39	1.08	9.00	Receptacl	1	70 ft	120/1	#12	Cu	Metallic	2.000	2.1
A-41	1.92	16.00	Kitchen	1	40 ft	120/1	#12	Cu	Metallic	2.000	2.1
A-2	0.36	3.00	Kitchen	1	25 ft	120/1	#12	Cu	Metallic	2.000	0.8
A-4	0.50	4.17	Receptacl	1	45 ft	120/1	#12	Cu	Metallic	2.000	0.6
A-6	0.76	6.29	Kitchen	1	45 ft	120/1	#12	Cu	Metallic	2.000	0.9
A-8	0.72	6.00	Receptacl	1	65 ft	120/1	#12	Cu	Metallic	2.000	1.3
A-10	0.50	4.17	Kitchen	1	25 ft	120/1	#12	Cu	Metallic	2.000	0.3
A-12	0.96	8.00	Kitchen	1	35 ft	120/1	#12	Cu	Metallic	2.000	0.9
A-14	1.16	9.67	Kitchen	1	35 ft	120/1	#12	Cu	Metallic	2.000	1.1
A-16	0.63	5.21	Kitchen	1	45 ft	120/1	#12	Cu	Metallic	2.000	0.8
A-18	0.63	5.21	Kitchen	1	45 ft	120/1	#12	Cu	Metallic	2.000	0.8
A-20	1.44	12.00	Misc	1	50 ft	120/1	#12	Cu	Metallic	2.000	2.0
A-22	1.50	12.50	Misc	1	25 ft	120/1	#12	Cu	Metallic	2.000	1.0
A-24	1.50	12.50	Misc	1	35 ft	120/1	#12	Cu	Metallic	2.000	1.5
A-26	0.36	3.00	Receptacl	1	20 ft	120/1	#12	Cu	Metallic	2.000	0.2
A-28	0.50	4.17	Misc	1	45 ft	120/1	#12	Cu	Metallic	2.000	0.6
A-30	0.50	4.17	Misc	1	20 ft	120/1	#12	Cu	Metallic	2.000	0.3
A-32	0.36	3.00	Receptacl	1	45 ft	120/1	#12	Cu	Metallic	2.000	0.5
A-34	1.92	16.00	Kitchen	1	25 ft	120/1	#12	Cu	Metallic	2.000	1.3
A-36	2.10	20.19	Kitchen	1	45 ft	208/1	#10	Cu	Metallic	1.200	2.1
A-38	2.10	20.19	Kitchen	1	45 ft	208/1	#10	Cu	Metallic	1.200	2.1
A-40	2.10	20.19	Kitchen	1	45 ft	208/1	#10	Cu	Metallic	1.200	2.1
A-42	2.10	20.19	Kitchen	1	45 ft	208/1	#10	Cu	Metallic	1.200	2.1

**VOLTAGE DROP CALCULATIONS - PANEL 'B'**

Circuit #	Load (kW)	Load (A)	Load Type	Sets of Wires	Length	Voltage	Wire Size	Wire Type	Conduit Type	Z (Ω/ft)	% Voltage Drop
B-1	0.23	1.90	HVAC	1	25 ft	208/3	#12	Cu	Metallic	2.000	0.1
B-3	0.23	1.90	HVAC	1	25 ft	208/3	#12	Cu	Metallic	2.000	0.1
B-5	0.23	1.90	HVAC	1	25 ft	208/3	#12	Cu	Metallic	2.000	0.1
B-7	0.23	1.90	HVAC	1	35 ft	208/3	#12	Cu	Metallic	2.000	0.1
B-9	0.23	1.90	HVAC	1	35 ft	208/3	#12	Cu	Metallic	2.000	0.1
B-11	0.23	1.90	HVAC	1	35 ft	208/3	#12	Cu	Metallic	2.000	0.1
B-13	0.30	2.50	HVAC	1	38 ft	208/3	#12	Cu	Metallic	2.000	0.2
B-15	0.30	2.50	HVAC	1	38 ft	208/3	#12	Cu	Metallic	2.000	0.2
B-17	0.30	2.50	HVAC	1	38 ft	208/3	#12	Cu	Metallic	2.000	0.2
B-19	1.52	12.62	Kitchen	1	30 ft	208/3	#12	Cu	Metallic	2.000	0.6
B-21	1.52	12.62	Kitchen	1	30 ft	208/3	#12	Cu	Metallic	2.000	0.6
B-23	1.52	12.62	Kitchen	1	30 ft	208/3	#12	Cu	Metallic	2.000	0.6
B-25	1.14	9.49	Kitchen	1	35 ft	208/3	#12	Cu	Metallic	2.000	0.6
B-27	1.14	9.49	Kitchen	1	35 ft	208/3	#12	Cu	Metallic	2.000	0.6
B-29	1.14	9.49	Kitchen	1	35 ft	208/3	#12	Cu	Metallic	2.000	0.6
B-31	0.90	7.50	Misc	1	10 ft	120/1	#12	Cu	Metallic	2.000	0.3
B-33	0.50	4.17	Receptacl	1	48 ft	120/1	#12	Cu	Metallic	2.000	0.7
B-35	0.50	4.17	Receptacl	1	50 ft	120/1	#12	Cu	Metallic	2.000	0.7
B-37	1.00	8.33	Receptacl	1	50 ft	120/1	#12	Cu	Metallic	2.000	1.4
B-2	2.88	23.98	Kitchen	1	30 ft	208/3	#10	Cu	Metallic	1.200	0.7
B-4	1.44	11.99	Kitchen	1	30 ft	208/3	#10	Cu	Metallic	1.200	0.4
B-6	1.80	14.99	Kitchen	1	30 ft	208/3	#10	Cu	Metallic	1.200	0.4
B-8	2.88	23.98	Kitchen	1	30 ft	208/3	#10	Cu	Metallic	1.200	0.7
B-10	1.44	11.99	Kitchen	1	30 ft	208/3	#10	Cu	Metallic	1.200	0.4
B-12	1.80	14.99	Kitchen	1	30 ft	208/3	#10	Cu	Metallic	1.200	0.4
B-14	2.88	23.98	Kitchen	1	45 ft	208/3	#10	Cu	Metallic	1.200	1.1
B-16	1.44	11.99	Kitchen	1	45 ft	208/3	#10	Cu	Metallic	1.200	0.5
B-18	1.80	14.99	Kitchen	1	45 ft	208/3	#10	Cu	Metallic	1.200	0.7
B-20	4.75	39.55	Kitchen	1	34 ft	208/3	#6	Cu	Metallic	0.490	0.5
B-22	4.75	39.55	Kitchen	1	34 ft	208/3	#6	Cu	Metallic	0.490	0.5
B-24	4.75	39.55	Kitchen	1	34 ft	208/3	#6	Cu	Metallic	0.490	0.5
B-26	0.35	2.90	HVAC	1	40 ft	208/3	#12	Cu	Metallic	2.000	0.2
B-28	0.35	2.90	HVAC	1	40 ft	208/3	#12	Cu	Metallic	2.000	0.2
B-30	0.35	2.90	HVAC	1	40 ft	208/3	#12	Cu	Metallic	2.000	0.2
B-32	8.00	66.62	Misc	1	10 ft	208/3	#2	Cu	Metallic	0.200	0.1
B-34	8.00	66.62	Misc	1	10 ft	208/3	#2	Cu	Metallic	0.200	0.1
B-36	8.00	66.62	Misc	1	10 ft	208/3	#2	Cu	Metallic	0.200	0.1
B-38	0.10	0.83	Misc	1	10 ft	208/3	#12	Cu	Metallic	2.000	0.0
B-40	0.10	0.83	Misc	1	10 ft	208/3	#12	Cu	Metallic	2.000	0.0
B-42	0.10	0.83	Misc	1	10 ft	208/3	#12	Cu	Metallic	2.000	0.0

**VOLTAGE DROP CALCULATIONS - PANEL 'C'**

Circuit #	Load (kW)	Load (A)	Load Type	Sets of Wires	Length	Voltage	Wire Size	Wire Type	Conduit Type	Z (Ω/ft)	% Voltage Drop
C-1	0.62	5.20	Lighting	1	60 ft	120/1	#12	Cu	Metallic	2.000	1.0
C-3	0.68	5.63	Lighting	1	70 ft	120/1	#12	Cu	Metallic	2.000	1.3
C-5	0.06	0.50	Lighting	1	80 ft	120/1	#12	Cu	Metallic	2.000	0.1
C-7	0.38	3.20	Lighting	1	75 ft	120/1	#12	Cu	Metallic	2.000	0.8
C-9	0.14	1.20	Lighting	1	85 ft	120/1	#12	Cu	Metallic	2.000	0.3
C-11	0.08	0.68	Lighting	1	80 ft	120/1	#12	Cu	Metallic	2.000	0.2
C-13	0.07	0.60	Lighting	1	45 ft	120/1	#12	Cu	Metallic	2.000	0.1
C-15	0.62	5.16	Lighting	1	35 ft	120/1	#12	Cu	Metallic	2.000	0.6
C-17	1.20	10.00	Misc	1	55 ft	120/1	#12	Cu	Metallic	2.000	1.8
C-19	1.20	10.00	Misc	1	55 ft	120/1	#12	Cu	Metallic	2.000	1.8
C-21	1.20	10.00	Misc	1	85 ft	120/1	#12	Cu	Metallic	2.000	2.8
C-23	0.36	3.03	Lighting	1	100 ft	120/1	#12	Cu	Metallic	2.000	1.0
C-25	0.68	5.65	Lighting	1	100 ft	120/1	#12	Cu	Metallic	2.000	1.9
C-27	1.00	8.33	Misc	1	46 ft	120/1	#12	Cu	Metallic	2.000	1.3
C-31	0.36	3.00	Receptacl	1	10 ft	120/1	#12	Cu	Metallic	2.000	0.1
C-33	1.32	11.00	Misc	1	35 ft	120/1	#12	Cu	Metallic	2.000	1.3
C-35	0.30	2.50	Misc	1	10 ft	120/1	#12	Cu	Metallic	2.000	0.1
C-37	0.36	3.00	Receptacl	1	60 ft	120/1	#12	Cu	Metallic	2.000	0.6
C-39	0.90	7.50	Receptacl	1	45 ft	120/1	#12	Cu	Metallic	2.000	1.1
C-41	0.72	6.00	Receptacl	1	35 ft	120/1	#12	Cu	Metallic	2.000	0.7
C-2	0.72	6.00	Receptacl	1	40 ft	120/1	#12	Cu	Metallic	2.000	0.8
C-4	1.08	9.00	Misc	1	60 ft	120/1	#12	Cu	Metallic	2.000	1.8
C-8	1.20	10.00	Lighting	1	80 ft	120/1	#12	Cu	Metallic	2.000	2.7
C-10	0.55	5.32	Lighting	1	85 ft	208/1	#8	Cu	Metallic	0.780	0.7
C-12	0.55	5.32	Lighting	1	85 ft	208/1	#8	Cu	Metallic	0.780	0.7
C-14	0.55	5.32	Lighting	1	100 ft	208/1	#8	Cu	Metallic	0.780	0.8
C-16	0.55	5.32	Lighting	1	100 ft	208/1	#8	Cu	Metallic	0.780	0.8
C-18	0.50	4.17	Misc	1	15 ft	120/1	#12	Cu	Metallic	2.000	0.2
C-20	1.10	9.17	Misc	1	40 ft	120/1	#12	Cu	Metallic	2.000	1.2
C-22	1.10	9.13	Misc	1	42 ft	120/1	#12	Cu	Metallic	2.000	1.3
C-24	1.08	9.00	Receptacl	1	75 ft	120/1	#12	Cu	Metallic	2.000	2.3
C-26	0.18	1.50	Receptacl	1	35 ft	120/1	#12				