

SYMBOL INFORMATION	
	ELEVATION NUMBER
	SHEET NUMBER
	ROOM/AREA
	ROOM MARKER
	EXTERIOR ELEVATION MARKER
	SECTION NUMBER
	SHEET NUMBER
	SECTION MARKER
	DETAIL NUMBER
	SHEET NUMBER
	PLAN DETAIL MARKER
	DETAIL NUMBER
	SECTION DETAIL MARKER
	DETAIL NUMBER
	INTERIOR ELEVATION MARKER
	KEY NOTE REFERENCE
	COLUMN CENTER LINE
	FINISH TYPE MARKER
	DOOR TAG
	WINDOW TYPE

PROJECT TEAM DIRECTORY	
OWNER:	BODDIE-NOELL ENTERPRISES, INC.
COMPANY NAME	BODDIE-NOELL ENTERPRISES, INC.
CONTACT NAME	REGGIE BARNACASEL
CONTACT INFORMATION	1021 NOELL LANE ROCKY MOUNT, NC 27802 PH: (252) 937-2800 FAX: (252) 937-4909
ARCHITECT:	NATIONAL RESTAURANT DESIGNERS
COMPANY NAME	TAMMY DAVIS
CONTACT NAME	13698
CONTACT INFORMATION	3005 CARRINGTON MILL BLVD SUITE 150 MORRISVILLE, NC 27560 PH: (919) 544-0067 FAX: (919) 544-9399
CIVIL ENGINEER:	STOCKS ENGINEERING
COMPANY NAME	J. MICHAEL STOCKS
CONTACT NAME	13643
CONTACT INFORMATION	801 EAST WASHINGTON STREET NASHVILLE, NC 27856 PH: (252) 459-8196
STRUCTURAL ENGINEER:	BRITT, PETERS & ASSOCIATES, INC
COMPANY NAME	BRET UNDERWOOD
CONTACT NAME	037779
CONTACT INFORMATION	999 WATERSIDE DRIVE, SUITE 2202 NORFOLK, VA 23510 PH: (757) 793-0645
MECHANICAL ENGINEER:	NATIONAL RESTAURANT DESIGNERS
COMPANY NAME	M. JOSEPH MORGAN
CONTACT NAME	40760
CONTACT INFORMATION	3005 CARRINGTON MILL BLVD SUITE 150 MORRISVILLE, NC 27560 PH: (919) 544-0067 FAX: (919) 544-9399
ELECTRICAL ENGINEER:	NATIONAL RESTAURANT DESIGNERS
COMPANY NAME	RAY THORNTON
CONTACT NAME	17561
CONTACT INFORMATION	3005 CARRINGTON MILL BLVD SUITE 150 MORRISVILLE, NC 27560 PH: (919) 544-0067 FAX: (919) 544-9399
PLUMBING ENGINEER:	NATIONAL RESTAURANT DESIGNERS
COMPANY NAME	SHAWN D. SLYTER
CONTACT NAME	32078
CONTACT INFORMATION	3005 CARRINGTON MILL BLVD SUITE 150 MORRISVILLE, NC 27560 PH: (919) 544-0067 FAX: (919) 544-9399



BNE WOOD PROTOTYPE STANDARD

NC HWY 87 & BUFFALO RD.
CAMERON, NC 28326

ABBREVIATIONS

Ø	DIAMETER	JT.	JOINT
□	SQUARE FOOT/FEET	LAM.	LAMINATED
CL	CENTERLINE	LAV.	LAVATORY
Ⓢ	ROUND OR NUMBER	LT.	LIGHT
(E)	EXISTING	MAX.	MAXIMUM
(N)	NEW	M.B.	MACHINE BOLT
A.B.	ANCHOR BOLT	MECH.	MECHANICAL
A.C.	AIR CONDITIONING	MET.	METAL
ACOUS.	ACOUSTICAL	MFR.	MANUFACTURER
ACOUS.	ACOVE FINISH FLOOR	M.H.	MANHOLE
ALUM.	ALUMINUM	MIN.	MINIMUM
APPROX.	APPROXIMATE	MISC.	MISCELLANEOUS
ARCH.	ARCHITECTURAL	M.O.	MASONRY OPENING
A.S.R.	AUTOMATIC SPRINKLER SYSTEM	MTD.	MOUNTED
		MUL.	MULLION
BD.	BOARD	N.	NORTH
BLDG.	BUILDING	N.I.C.	NOT IN CONTRACT
BLK.	BLOCK	NO.	NUMBER
BLKG.	BLOCKING	NOM.	NOMINAL
		N.T.S.	NOT TO SCALE
CJ.	CEILING JOIST	O.A.	OVERALL
CLG.	CEILING	O.C.	ON CENTER
CLR.	CLEAR	O.D.	OUTSIDE DIAMETER
C.M.	CONSTRUCTION MANAGER	OPD.	OVERFLOW DRAIN
C.M.U.	CONCRETE MASONRY UNIT	OPN.	OPENING
		OPP.	OPPOSITE
C/O	CLEANOUT	PARTN.	PARTITION
CONC.	CONCRETE	P.L.	PROPERTY LINE
CONN.	CONNECTION	PLAS.	PLASTER
CONSTR.	CONSTRUCTION	PLBS.	PLUMBING
CONT.	CONTINUOUS	PLYWD.	PLYWOOD
CONTR.	CONTRACTOR	P.T.	PRESSURE TREATED
DBL.	DOUBLE	Q.T.	QUARRY TILE
DEPT.	DEPARTMENT	R.	RISER
DET.	DETAIL	RAD.	RADIUS
D.F.	DRINKING FOUNTAIN	R.D.	ROOF DRAIN
DIA.	DIAMETER	REF.	REFERENCE
DIM.	DIMENSION	REFR.	REFRIGERATOR
DS.	DOWN SPOUT	REINF.	REINFORCED
DWG.	DRAWING	REQD.	REQUIRED
E	EAST	RESIL.	RESILIENT
EA.	EACH	RM.	ROOM
ELEC.	ELECTRICAL	R.O.	ROUGH OPENING
EL.	ELEVATION	R.O.W.	RIGHT OF WAY
E.P.	ELECTRICAL PANEL	S.	SOUTH
EQ.	EQUAL	S.A.N.	SCALE AS NOTED
EQUIP.	EQUIPMENT	S.A.T.	SUSPENDED
E.W.	EACH WAY	S.C.	SOLID CORE
EXIS.	EXISTING	SCHED.	SCHEDULE
EXT.	EXTERIOR	SECT.	SECTION
		SHT.	SHEET
F.F.	FINISH FLOOR	SHTG.	SHEATHING
FIN.	FINISH	SIM.	SIMILAR
FKT.	FIXTURE	SPEC.	SPECIFICATION
FLR.	FLOOR	SQ.	SQUARE
F.L.	FLOOR LINE	SK.	SERVICE SINK
FLUOR.	FLUORESCENT	SS.	STAINLESS STEEL
F.H.	FIRE HYDRANT	STD.	STANDARD
F.O.F.	FACE OF FINISH	STL.	STEEL
F.O.M.	FACE OF MASONRY	STOR.	STORAGE
F.O.S.	FACE OF STUD	STR.	STRUCTURAL
F.S.R.	FLOOR SINK	SYM.	SYMMETRICAL
F.S.R.	FIRE SPRINKLER RISER	T.	TREAD
FT.	FOOT/FEET	T.B.	TOP OF BEAM
FTG.	FOOTING	TEL.	TELEPHONE
FUT.	FUTURE	T&G.	TONGUE AND GROOVE
GA.	Gauge	THK.	THICKNESS
GALV.	GALVANIZED	T.O.C.	TOP OF CURB
G.C.	GENERAL CONTRACTOR	T.O.P.	TOP OF PARAPET
		T.O.S.	TOP OF SHEATHING
G.I.	GALVANIZED IRON	T.O.W.	TOP OF WALL
GL.	GLASS	TYP.	TYPICAL
GRD.	GROUND	U.B.C.	UNIFORM BUILDING CODE
GR.	GRADE	U.O.N.	UNLESS OTHERWISE NOTED
GYP.	GYPSPUM	V.B.	VINYL BASE
HDR.	HEADER	VERT.	VERTICAL
HDW.	HARDWARE	V.C.T.	VINYL COMPOSITION TILE
HT.	HEIGHT	V.T.R.	VENT THROUGH ROOF
H.M.	HOLLOW METAL	W.	WEST
HOR.	HORIZONTAL	W.C.	WITH WATER CLOSET
HDWD.	HARDWOOD	WD.	WOOD
HVAC.	HEATING, VENTILATION AND AIR CONDITIONING	WH.	WATER HEATER
		W/O.	WITHOUT
I.D.	INSIDE DIAMETER	W.R.	WATER RESISTANT
IN.	INCH		
INSUL.	INSULATION		
INT.	INTERIOR		

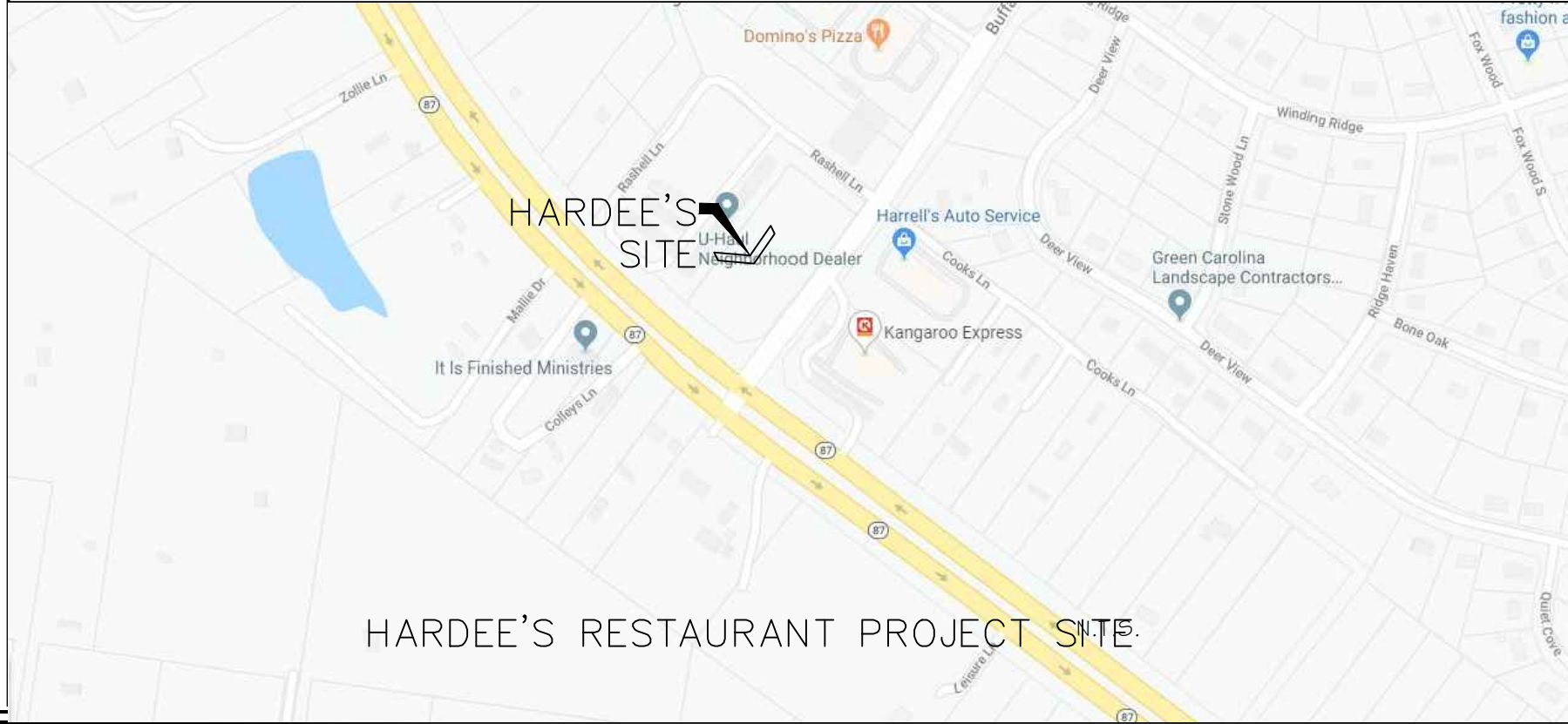
ENERGY CODE SUMMARY

REFER TO DRAWING T3 FOR APPENDIX B

BUILDING CODE SUMMARY

REFER TO DRAWING T3 FOR APPENDIX B

VICINITY MAP



SHEET INDEX

TITLE	REVISION
T-1	TITLE SHEET
T-2	OCCUPANCY PLAN AND LIFE SAFETY PLANS
T-3	APPENDIX 'B'
T-4	ADDENDUM LIST
CIVIL	
COVER	CIVIL COVER SHEET
CE-01	EXISTING CONDITIONS AND DEMOLITION PLAN
CE-02	ROAD WIDENING PLAN
CE-03	SITE PLAN
CE-04	UTILITY PLAN
CE-05	GRADING AND DRAINAGE PLAN
CE-06	LANDSCAPE PLAN
CE-07	EROSION CONTROL
CE-08	EROSION CONTROL DETAILS
CE-09	EROSION CONTROL DETAILS
CE-10	LIGHTING PLAN
CE-11	STORMWATER WETLAND DETAILS
CE-12	SITE NOTES AND DETAILS
CE-13	UTILITY NOTES AND DETAILS
CE-14	NCG01 NOTES SHEET
CE-15	NCG01 NOTES SHEET
CE-16	NCG01 NOTES SHEET
D-01	RUNOFF MAP
STRUCTURAL	
S-1	FOUNDATION PLAN
S-2	ROOF FRAMING PLAN
S-3	FOUNDATION DETAILS
S-4	FRAMING DETAILS
S-5	FRAMING DETAILS
S-6	STRUCTURAL DETAILS & FRAMING ELEVATIONS
S-7	GENERAL STRUCTURAL NOTES
ARCHITECTURAL	
A-1.0	CONSTRUCTION PLAN/DETAILS
A-1.1	FINISHES PLAN, INTER. FIN. SCHED. & DOOR/WINDOWS SCHED.
A-2.0	REFLECTED CEILING PLAN
A-3.0	ROOF PLAN/DETAILS
A-4.0	EXTERIOR ELEVATIONS/EXTERIOR FINISHES SCHEDULE
A-4.1	EXTERIOR ELEVATIONS/EXTERIOR FINISHES SCHEDULE
A-4.2	LINE OF SIGHT
A-4.5	INTERIOR ELEVATIONS/SECTIONS
A-5.1	INTERIOR ELEVATIONS/SECTIONS
A-5.2	INTERIOR ELEVATIONS
A-6.0	WALL SECTIONS
A-6.1	WALL SECTIONS
A-6.2	WALL SECTIONS/DETAILS
A-7.0	ENLARGED RESTROOM PLAN & DETAILS
A-7.1	RESTROOM ELEVATIONS & DETAILS
A-8.0	MISCELLANEOUS DETAILS
A-8.1	DRIVE-THRU DETAILS
A-8.1.1	DRIVE-THRU DETAILS
A-8.2	DUMPSTER ENCLOSURE & ROOF LADDER DETAILS
A-8.3	SHED ENCLOSURE
REF-1, REF-2 & REF-3	E.I.F.S. MANUFACTURER'S DTLS. (FOR REF.)
KITCHEN EQUIPMENT (FOR REFERENCE)	
QF001	FOOD SERVICE GENERAL NOTES, SHEET INDEX
QF101	FOOD SERVICE EQUIPMENT PLAN
QF201	FOOD SERVICE IN SLAB PLUMBING ROUGH-IN PLAN
QF202	FOOD SERVICE ABOVE SLAB PLUMBING ROUGH-IN PLAN
QF301	FOOD SERVICE ELECTRICAL ROUGH-IN PLAN
QF401	FOOD SERVICE SPECIAL CONDITIONS PLAN
QF601	FOOD SERVICE ELEVATIONS
QF602	FOOD SERVICE ELEVATIONS
QF701	MANUFACTURER HOOD DRAWING
QF702	MANUFACTURER HOOD DRAWING
QF703	MANUFACTURER WALK-IN COOLER DRAWING
PLUMBING	
P-1	PLUMBING WASTE AND VENT PLAN
P-2	PLUMBING WATER PLAN
P-3	PLUMBING ISOMETRIC & DETAILS
P-4	PLUMBING ROOF PLAN & DETAILS
MECHANICAL	
M-1	HVAC PLAN
M-2	MECHANICAL DETAILS
ELECTRICAL	
E-1	ELECTRICAL POWER PLAN
E-1.1	C/R SYSTEM PLAN
E-2	LIGHTING PLAN
E-3	SCHEDULE/ELECTRICAL DISTRIBUTION
E-4	ROOF POWER PLAN
E-5	ELECTRICAL SITE LIGHTING PLAN
E-6	RISER DIAGRAM AND OFFICE ELEVATIONS
E-7	VOLTAGE DROP CALCULATION

CPI - CONTROL + ENERGY MANAGEMENT INFO. (FOR REFERENCE)	REVISION
CPI-0.1	CHECK LIST
CPI-1.0	ELEVATIONS, DETAILS & PANEL SCHEDULES
CPI-1.1	CONNECTION INFO.
CPI-1.2	C.T. DETAILS
CPI-2.0	SCHEMATICS
CPI-2.1	SCHEMATICS
CPI-2.2	SCHEMATICS
CPI-2.3	SCHEMATICS
CPI-3.0	
CPI-3.1	
CPI-3.2	

NRD Project # 19187

national restaurant designers
ARCHITECTS & ENGINEERS
3005 CARRINGTON MILL BLVD., SUITE 150
MORRISVILLE, NORTH CAROLINA 27560
PH: 919 544 7251 FAX: 919 544 9399
Division of LMHT Associates

LMHT ENGINEER LICENSE NUMBER - C-1369

Hardee's
CHARBROILED THICKBURGERS
BNE WOOD PROTOTYPE STANDARD

BODDIE-NOELL ENTERPRISES, INC.
P.O. BOX 1008
ROCKY MOUNT, NC 27802-1008
(252) 937-2800

OWNER: BNE

NO.	DESCRIPTION	DATE
1	CITY COMMENTS	3/13/20
2	HVAC UPDATES	3/6/20
3	BONE IN. CHICKEN	3/24/20

DRAWN BY: _____ CHECKED BY: _____

TITLE SHEET

DATE: 01-31-2020

SHEET NUMBER: **T-1**

CHANGES TO PROTOTYPE

- QUARTER CHANGES UP TO -/-/-

DATE: 2/10/17

ITEM #	DESCRIPTION	
1	CHANGE FROM STEEL STRUCTURE TO WOOD	
2	WATER HEATER RELOCATION AND ADJACENT TV STATION/LOCKERS/BREAK TABLE	
3	FREEZER WALL REMOVED AND FREEZER EXT. DOOR REMOVED	
4	REMOVE PARAPET BRACES TO MATCH STRUCTURAL DRAWING.	
5	SHOW OWNER SUPPLIED/INSTALLED PLASTIC STORAGE BLDG IN DUMPSTER AREA - ELIMINATE MIDDLE BOLLARD	A8.2
6	UPDATED MOP SINK PER OWNERS REQUEST. CHANGED GREASE INTERCEPTOR TO TRAFFIC RATED (F IN PARKING LOT).	P1
7	ADDED WATER FILTER DETAIL, CHANGED LAYOUT OF WATER FILTER CONNECTIONS, EDITED SHEET NOTES AND EDITED EQUIPMENT WATER CONNECTIONS	P2
8	UPDATED WATER RISER AND ADDED TRAFFIC RATED NOTE TO GREASE INTERCEPTOR DETAIL AND SOIL, WASTE AND VENT PIPING RISER.	P3
9	EDITED SHEET NOTES AND GENERAL NOTE #4, EDITED NOTE ON CONDENSATE DRAIN PIPING DETAIL AND REVISED CONDENSATE PIPING ON ROOF PLAN.	P4

DATE: 2/20/18

1	CREATE OPENING BETWEEN SERVICE COUNTER AND D/T AREA	
DATE: 8/13/18		
1	SHIFT RTU-1 FOR 10'-3" CLEARANCE FROM ENTRY.	M1, E4
2	ADDED GENERAL NOTES FROM BNE SPECS TO THE M-1 SHEET.	M1

DATE: 10/3/18

THIRD QUARTER UPDATE CHANGES		
1	MODIFIED RESTROOM LAYOUT. MOVED BISCUIT PREP WALL. UPDATED DIMENSIONS AS PER CHANGES. CLARIFICATIONS.	A1, A7
2	UPDATED FLOOR FINISH AS PER RESTROOM CHANGES. ADDED GENERAL NOTES. UPDATED HARDWARE SCHEDULES. REMOVED L3 FINISH. CHANGED GROUT JOINT FROM 1/16" TO 3/16"	A1.1
3	UPDATED CEILING GRID AS PER RESTROOM WALL CHANGES. ADDED EXTERIOR LIGHTS. NOTES CLARIFICATIONS. UPDATED BULKHEAD DETAIL TO REFERENCE BOTH ORDER COUNTER AND DINING ROOM AREAS.	A2
4	REMOVED ACCESS PANEL NOTES. RELOCATED GUARD RAIL ON PARAPET.	A3
5	ADDED EXTERIOR LIGHT FIXTURES AND CENTERED IT ON WINDOWS. REMOVED MULLION CASINGS ON WINDOWS.	A4, A4.1
6	REMOVED QUARRY TILE BASE ON MOP SINK	A5
7	REMOVED ACCESS PANELS ON THE PARAPET WALLS. ADDED SCHLUTER STRIP NOTE TO LOW WALL. ADDED ANSUL BOX.	A5.1
8	CHANGED FILE CABINET TO 3' WIDE IN OFFICE. ADDED BRACKETS TO OFFICE DESK. CHANGED FRP WALL TO S/S WALL AT BISCUIT PREP AREA	A5.2
9	REMOVED WALL ACCESS PANELS AND ADDED CEILING ACCESS TO PARAPET. RELOCATED GUARD RAIL ON TOP OF PARAPET. CREATED 2" CLEARANCE AROUND AWNING CLOSURE.	A6.0, A6.1
10	ADJUSTED URINAL SCREEN AND DIMENSIONS	A7.0
11	DELETED CONTINUOUS SEALANT NOTE. REMOVED GROUT ON STONE VENEER.	A8.0
12	ADDED DIMENSIONS TO PRE-READER SIGN AND ORDERING CANOPY.	A8.1
13	MOVED STORAGE SHED TO ENCLOSURES REAR WALL. ADDED REINFORCING BRACKET TO TOP OF LADDER.	A8.2
14	CHANGED STORAGE SHED HEIGHT TO MATCH DUMPSTER ENCLOSURE HEIGHT. ROTATED DOOR FRAMING STUDS.	A8.3
15	UPDATED BACKFLOW PREVENTER FOR ICE/BEVERAGE MACHINE.	P2
16	UPDATED WATER FILTRATION SPECIFICATIONS.	P2
17	DELETED DRAIN PAN FROM WATER HEATER DETAIL.	P2
18	DELETED SECOND SET OF WATER LINES ON 3-COMP SINK.	P2
19	REVISED FILTER LOCATION.	P2
20	ADDED NOTE ON BACKFLOW PREVENTER.	P2
21	RAN TEMPERED WATER TO HAND SINKS AND BATHROOMS	P2, P3
22	MOVED CONDENSATE FOR ROTATED RTU.	P4

DATE: 7/11/19

CHAIN BROILER SHIFT		
1	SHIFTED CHAIN BROILER HOOD 8".	M1
2	UPDATED FAN MODEL NUMBERS PER LATEST TRIMARK EQUIPMENT SHEETS.	M2
3	UPDATED HOOD SHEET REFERENCE NUMBERS TO MATCH UPDATED TRIMARK SHEETS.	M1
4	ADDED DIFFUSER SCHEDULE NOTE TO MATCH DIFFUSER COLOR TO SURROUNDING CEILING.	M2
5	ADDED DEHUMIDIFIER AS ALTERNATE BID.	M1, M2

SITE SPECIFIC CHANGES FROM PROTOTYPE DATE: -/-/-

ITEM #	DESCRIPTION	SHEETS AFFECTED
1	REMOVED SUPPLY FAN AND HOOD PSPs. UPDATED HVAC LOADS AND RESIZED RTU'S. CHANGED RTU MODEL NUMBERS TO ADD REHEAT CAPABILITY. ADDED SINGLE ZONE VAV OPTION FOR ALL RTU'S.	M1, M2
		-

REVISION 1 CODE COMMENTS DATE: 3/13/20 SHEETS AFFECTED

ITEM #	DESCRIPTION	SHEETS AFFECTED
1	UPDATED PARAPET HEIGHT TAGS FOR THE RAISED REAR PARAPET.	A3
2	UPDATED RAISED THE REAR PARAPET TO THE SAME HEIGHT AS THE FRONT PARAPETS SO THAT THE ROOF EQUIPMENT IS SCREENED	A4, A4.1
3	ADDED LINE OF SIGHT DRAWING TO THE SET	A4.2
4	UPDATED INTERIOR ELEVATIONS/SECTIONS FOR THE RAISED THE REAR PARAPET	A5, A5.1
5	UPDATED WALL SECTIONS FOR THE RAISED THE REAR PARAPET	A6, A6.1, A6.2, A-8.0
6	RAISED PARAPET DETAILS	S-2, S-4, S-6

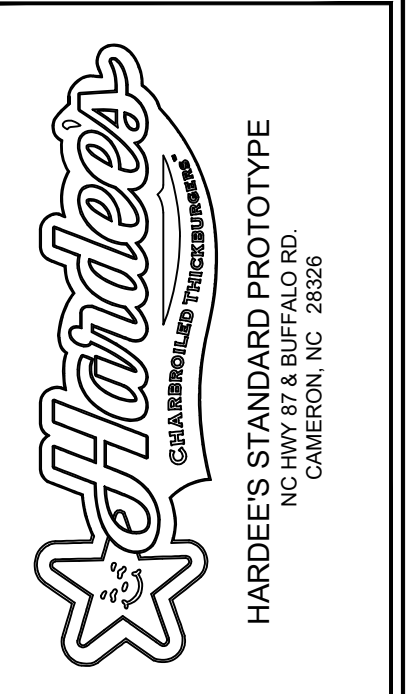
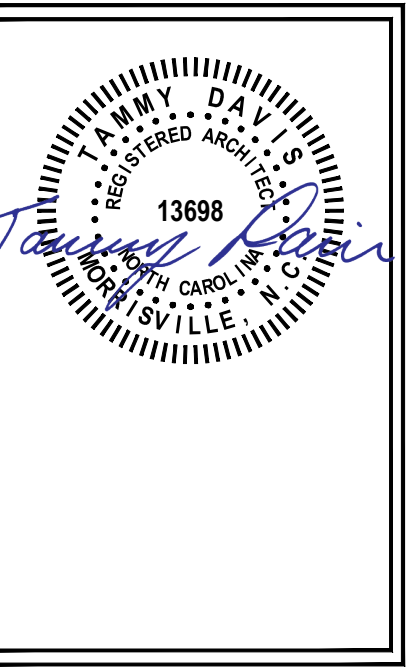
REVISION 2 HVAC UPDATES DATE: 8/6/20 SHEETS AFFECTED

ITEM #	DESCRIPTION	SHEETS AFFECTED
1	UPDATED CAPACITY, AIRFLOW, AND ACCESSORIES FOR RTU-1 SYSTEM.	M1, M2, T3
2	UPDATED POWER REQUIREMENTS AND VOLTAGE DROP CALCULATION FOR RTU-1	E3, E7, CPI-1.2
3	UPDATED CPI SHEETS FOR HVAC CONTROLS UPDATES.	ALL CPI SHEETS

REVISION 3 BONE IN CHICKEN UPDATES DATE: 9/24/20 SHEETS AFFECTED

ITEM #	DESCRIPTION	SHEETS AFFECTED
1	ADDED BONE IN CHICKEN UPDATES 1. EXTEND WALL AT DRIVE THRU TO ALIGN WITH MENU BOARD Baffle ABOVE 2. PITCO FRYER #50 STAYS THE SAME 3. CURRENT FRYER, GRIDDLE AND DUAL TEMP. AND CURRENT HOOD WILL SHIFT TOWARD FRONT OF STORE TO NEW WALL LOCATION. 4. ADD NEW #45 BONE-IN-CHICKEN FRYER, SINGLE FRYER 18" EXHAUST HOOD AND FAN INSTALLED NEXT BREADING STATION. 5. ADD #48 TENDERS TABLE, #48A 1/6 PAN HOLDER, AND #48B CLIPBOARD RACK NEXT TO BONE-IN-CHICKEN FRYER. 6. ADD #46 CHICKEN HOLDING CABINET BEHIND FRONT COUNTERS. 7. REPLACE STUDS IN EXTERIOR WALLS WITH METAL STUDS WITHIN 18" OF NEW HOOD. 8. UPDATE HVAC AIR BALANCE	T1, T4, A1.0, A1.1, A3.0, A5.1, P3, M1, M2, E-1, E2, E3, E3, E4

NRD Project # 19187



BODDE-NOELL ENTERPRISES, INC.
 P.O. BOX 1908
 ROCKY MOUNT, N.C. 27802-1908
 (252) 937-2800

OWNER

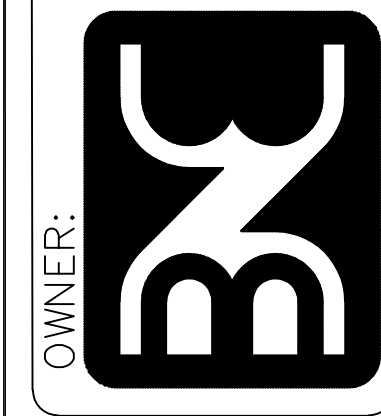
NO.	DESCRIPTION	DATE
1	CITY COMMENTS	3/13/20
2	HVAC UPDATES	8/6/20
3	BONE IN CHICKEN	9/24/20

DRAWN BY: _____ CHECKED BY: _____

ADDENDUM LIST

DATE: 01-31-2020

SHEET NUMBER:
T-4



NO.	DATE	DESCRIPTION
A	9/24/20	BONE IN CHECKEN

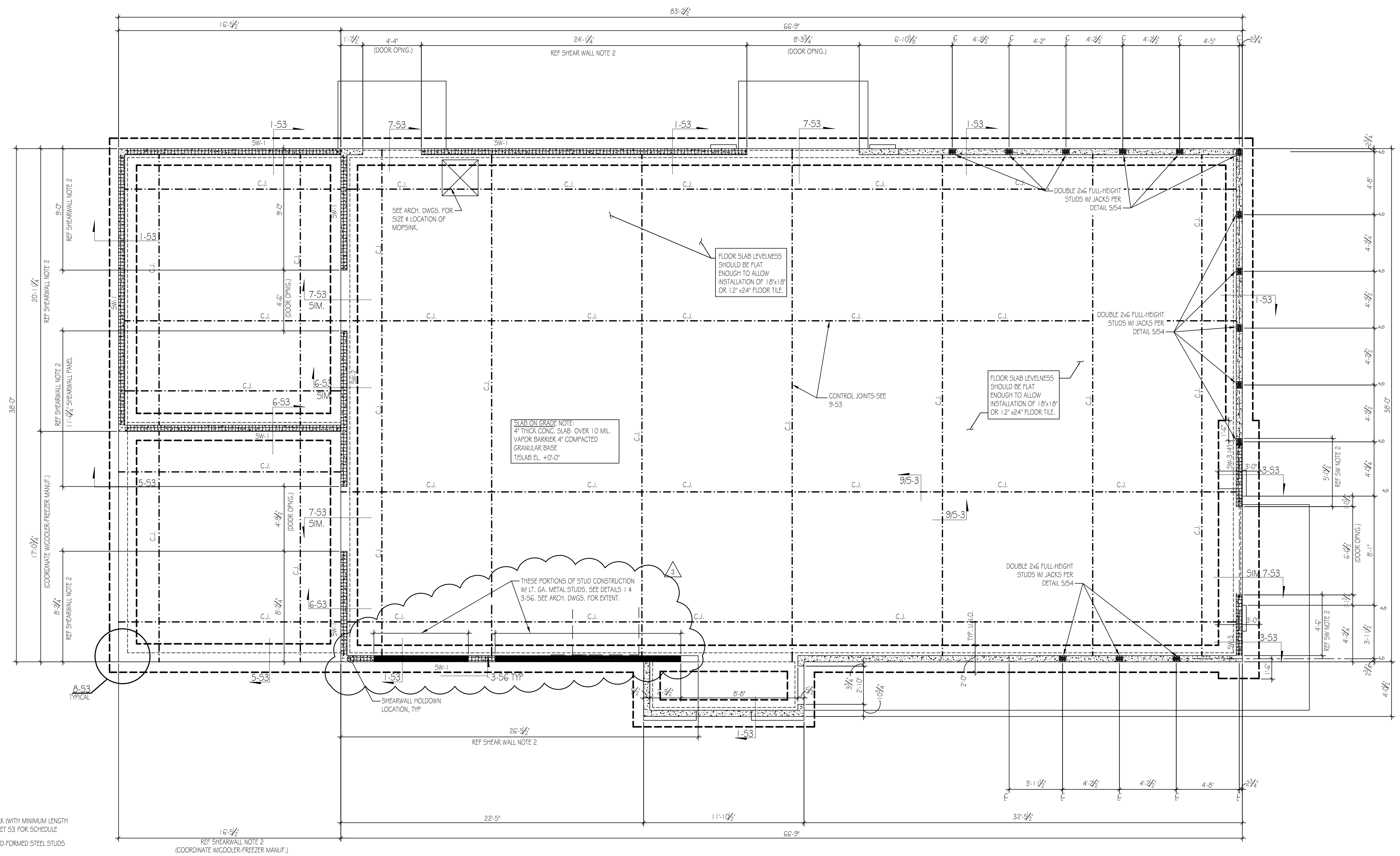
DRAWN BY	CHECKED BY
EA	SH

FOUNDATION PLAN

DATE: 12-17-2019

SHEET NUMBER:

S1



FOUNDATION PLAN

- SEE SHEET S7 FOR GENERAL STRUCTURAL NOTES.
- SHEARWALLS AND SHEARWALL HOLD DOWN ANCHORS ARE PER 10-S3.
- CONCRETE FLOOR SLAB UNDER W.I.C.W.I.F. BOX SHALL BE LEVEL. COORD. REQUIRED FLATNESS/LEVELNESS W/ BOX MFR.
- ANCHOR BOLTS NOT SHOWN ON THIS PLAN SHALL BE INSTALLED PER THE SECTIONS.
- DIMENSIONS NOTED ARE TO FACE OF CONCRETE.
- USE THIS PLAN WITH SECTIONS 1 THRU 10 ON S3.
- TOP OF FOOTING 1'-0" BELOW T/SLAB U.N.O.
- REF. 12 THRU 14/S4 FOR TYP. HOLD DOWN ANCHOR DTL5. IN THE WALL.

FOUNDATION PLAN NOTES

2

SCALE: 1/4" = 1'-0"



NO.	DATE	DESCRIPTION
1	3/6/20	DATE
2	9/2/20	DESCRIPTION
3		CITY COMMENTS
4		BORE IN CHECK

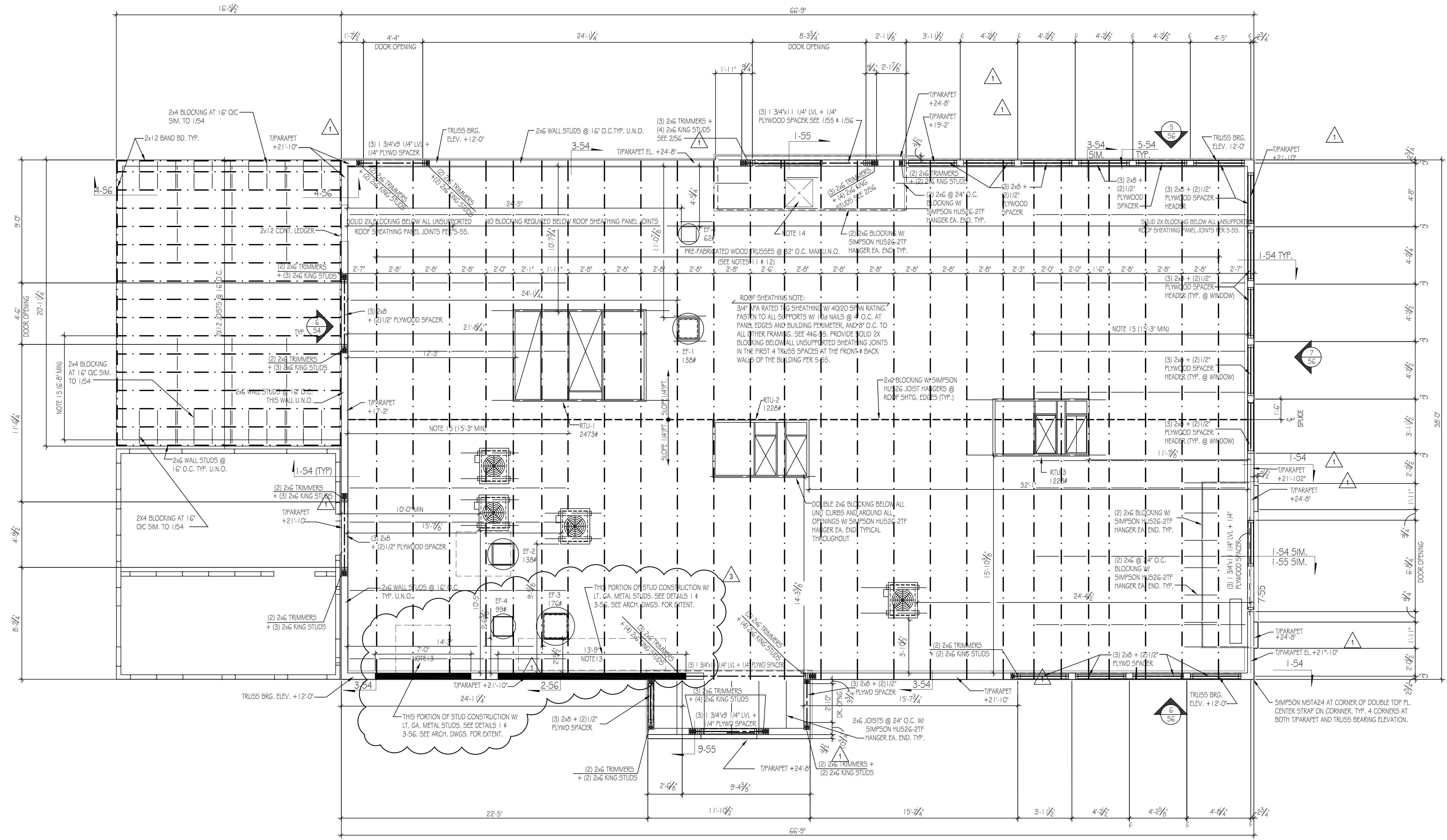
DRAWN BY: ES CHECKED BY: SH

ROOF FRAMING PLAN

DATE: 12-17-2019

SHEET NUMBER: S2

WALL STUD SIZE AND SPACING INDICATED DOES NOT INCLUDE BRICK / MASONRY CLADDING



ROOF FRAMING PLAN

SCALE: 1/4"=1'-0" 1

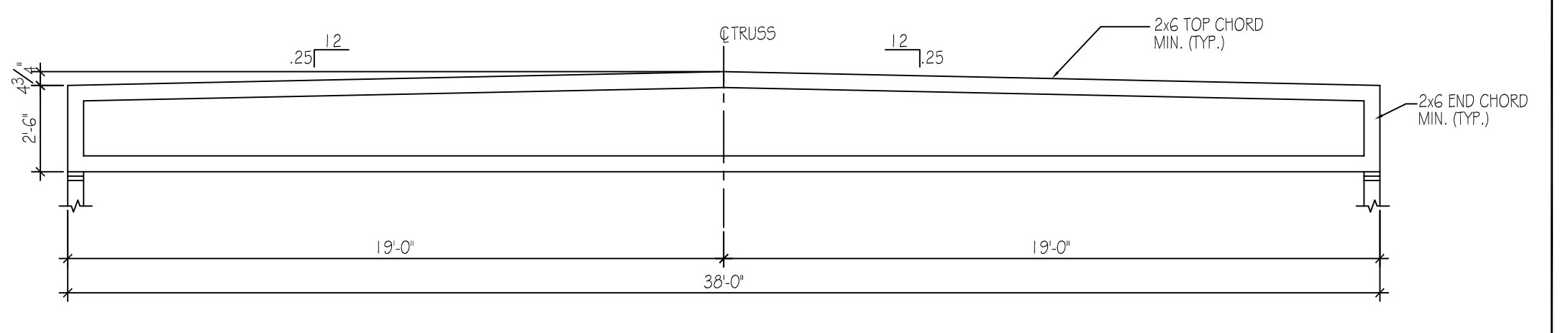
- SEE SHEET S7 FOR GENERAL STRUCTURAL NOTES.
- DIMENSIONS ARE TO OUTSIDE FACE OF STUD FRAMING (TYP.)
- SEE FOUNDATION PLAN FOR SHEARWALL LAYOUT AND DETAILS ON 10/53
- WALL SHEATHING TO BE 1/2" SHEATHING W/ 32/16 SFAN RATING. NAIL SHEATHING TO ALL FRAMING W/ 10d NAILS @ 6" O.C. U.N.O. IN SHEARWALL NOTES. ALL SHEATHING IN CONTACT WITH THE FOUNDATION WALLS SHALL BE PRESERVATIVE-TREATED MATERIAL (EXTERIOR WALL SHEATHING SHALL BE CONTINUOUS OVER THE WALL FRAMING AT ALL SHEAR WALLS)
- PROVIDE 2X BLOCKING BEHIND ALL PANEL JOINTS IN SHEARWALLS, U.N.O.
- REF. 6/54 FOR TYP. FRAMING ELEV. @ EXTERIOR OPENINGS
- REF. 7 & 8/54 FOR TYP. CONN. OF THE INT. NON-LOAD BRG. WALLS TO THE ROOF TRUSSES.
- REF. 9/54 FOR TYP. WALL TOP PLATE SPLICE
- REF. 10/54 FOR PARAPET STEP DOWN ELEV.
- REF. 11/54 FOR TYP. HEADER DETAIL

- SHOP DRAWINGS INCLUDING LAYOUT DRAWINGS, SPECIFICATIONS AND DESIGN CALCULATIONS FOR THE ROOF TRUSSES AND LAMINATED MEMBERS SHALL BE SUBMITTED FOR APPROVAL PRIOR TO ANY FABRICATION.
- NOTES:
 - SHOP DRAWINGS SHALL BE CERTIFIED BY A REGISTERED PROFESSIONAL ENGINEER. (FAXED OR REPRODUCED DOCUMENTS ARE NOT ACCEPTABLE)
 - G.C. SHALL ALLOW A MINIMUM OF (5) WORKING DAYS FOR REVIEW AND APPROVAL BY THE ARCHITECT/ENGINEER.
 - ROOF TRUSSES SHALL BE DESIGNED FOR ANY SPECIAL LOADING SUCH AS CONCENTRATED LOADS FROM HANGING PARTITIONS OR HVAC EQUIPMENT (SEE PLAN FOR LOCATION AND LOADS).
 - THIS PORTION OF WALL CONSTRUCTED W/ 5 1/2"x1 GGA x 1 5/8" WIDE G60 GALV. MTL STUDS @ 12" O.C SEE SECTIONS 1 THRU 3-56 SEE ARCH. DWGS. FOR EXTENT.
 - 2x2 ROOF HATCH REF 6/55 FOR FRAMING, REF ARCH FOR LOCATION.
 - 2x6 BLOCKING @ 5'-0" O.C MAX W/ SIMPSON LU26 AT EA END AND SIMPSON CS 20 ALONG TOP.

G.C. SHALL SUBMIT ENGINEER SHOP DWGS. FOR APPROVAL PRIOR TO ANY CONSTRUCTION.

ROOF NOT DESIGNED FOR PONDING. SEE ARCHITECTURAL DRAWINGS FOR DRAIN REQR'MNTS.

EXTREME CARE SHALL BE USED IN ERECTING ROOF TRUSSES -

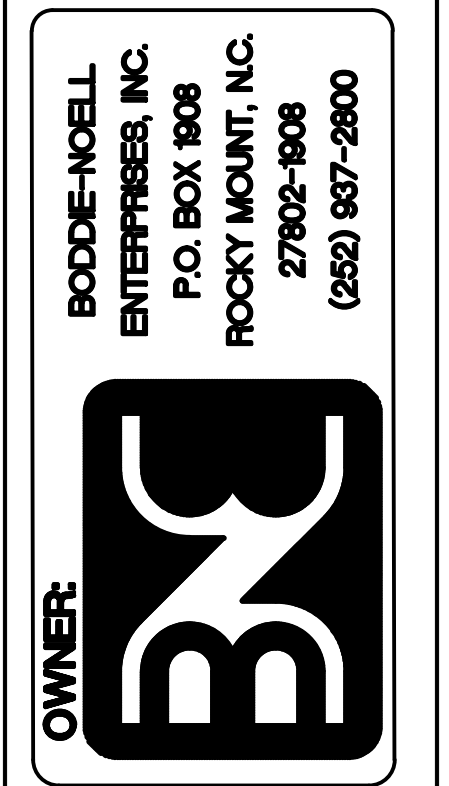
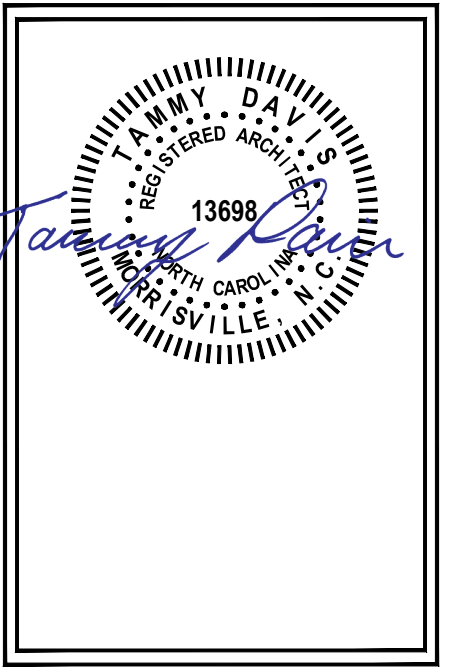


ROOF FRAMING PLAN NOTES

2 NOTES

3 TRUSS PROFILE

SCALE: 1/4"=1'-0" 4



NO.	DESCRIPTION	DATE
1	BONE IN CHICKEN	9/24/20

DRAWN BY: _____ CHECKED BY: _____

DATE: 01-31-2020

SHEET NUMBER: **A-1.0**

- LEGEND**
- 2x WOOD STUDS @ 16" O.C. UNLESS NOTED OTHERWISE. REF. PLAN FOR SIZES
 - 2x WOOD STUDS @ 16" O.C. TO STRUCTURE ABOVE UNLESS NOTED OTHERWISE. REF. PLAN FOR SIZES
 - 2x WOOD STUDS @ 16" O.C. TO 6" ABOVE CEILING - BRACE TO ROOF STRUCTURE @ 32" O.C.
 - 3/2" OR 5/8" x 20 GA. METAL STUDS @ 16" O.C. TO STRUCTURE ABOVE UNLESS NOTED OTHERWISE. REF. PLAN FOR SIZES
 - LOW WALL: 2x WOOD STUDS @ 16" O.C. REFER TO PLAN FOR HEIGHT OF LOW WALL.
 - BULKHEAD ABOVE. REF. REFLECTED CEILING PLAN FOR HEIGHTS.

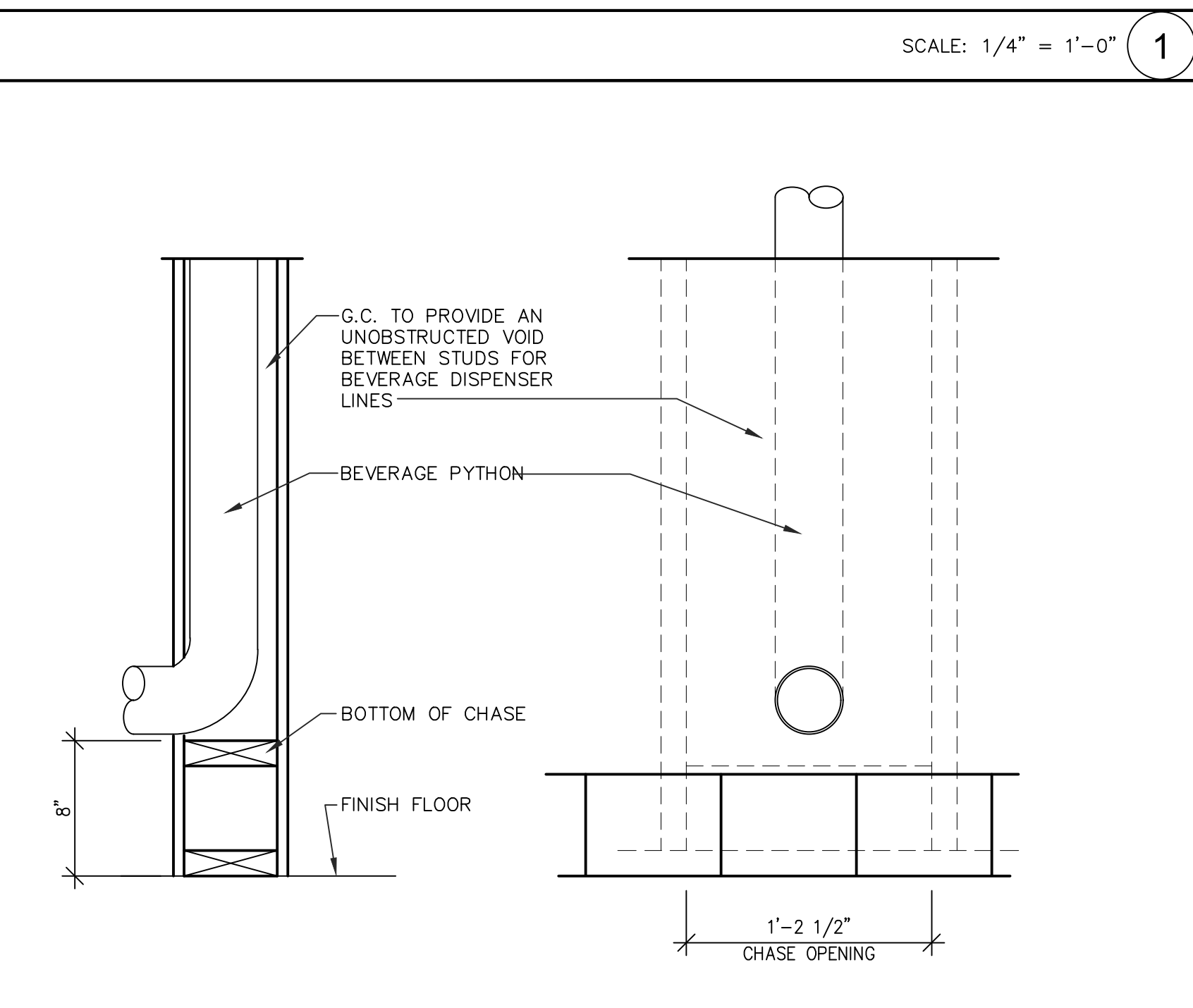
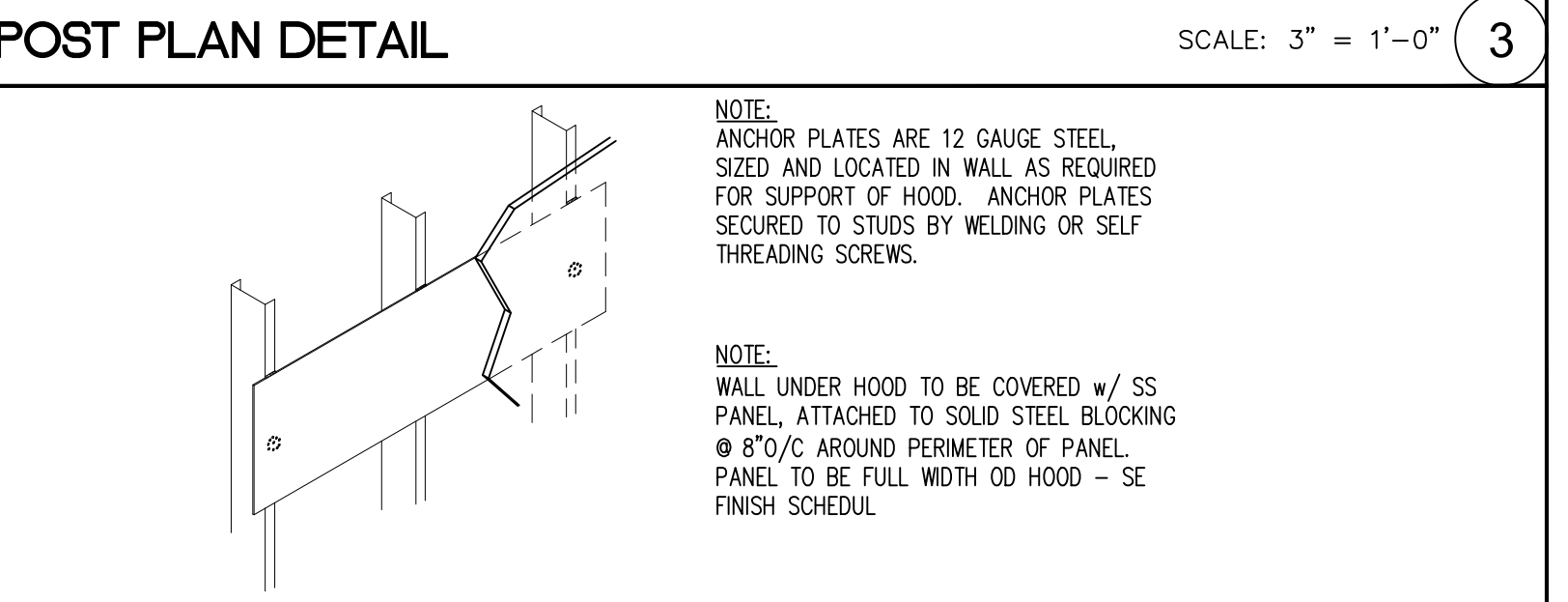
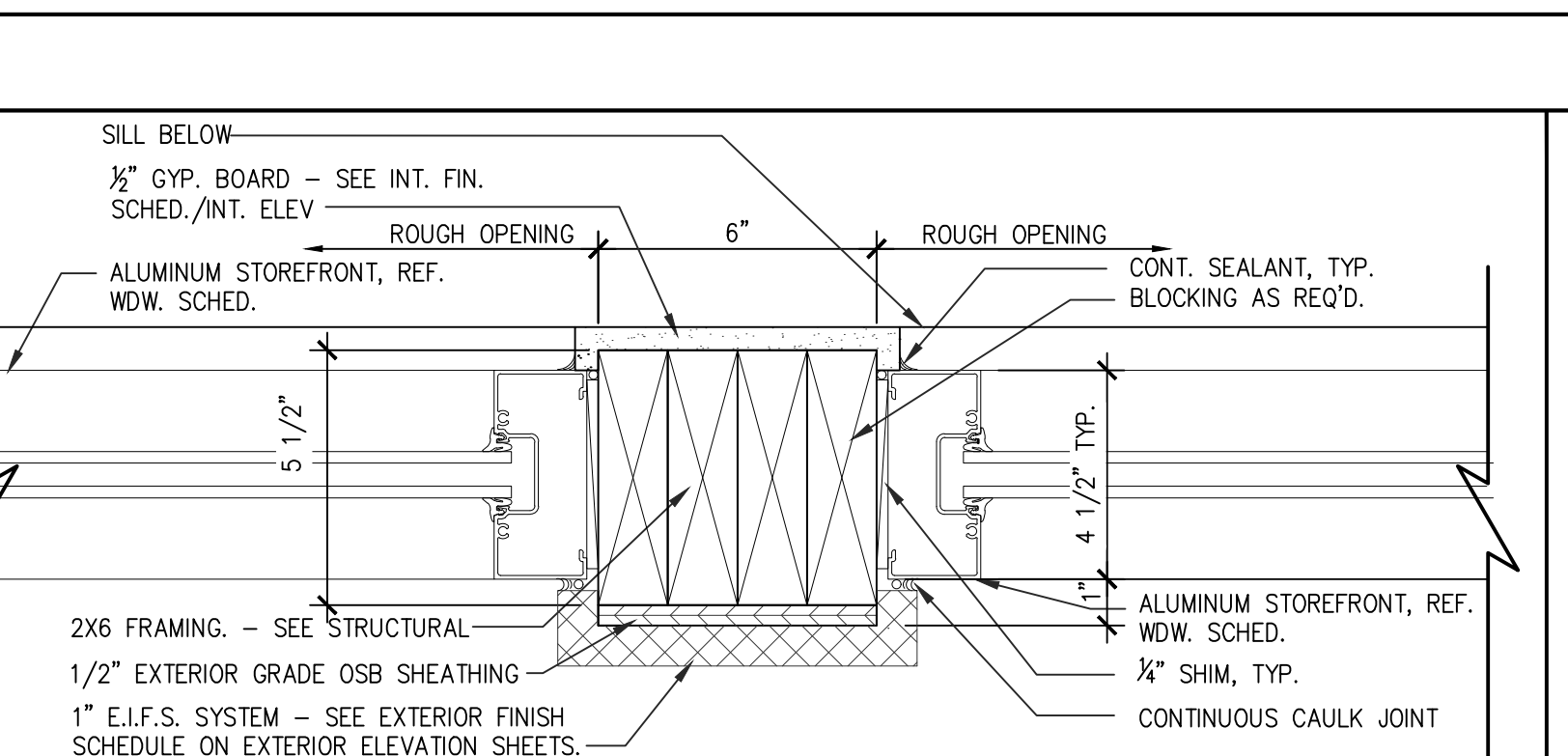
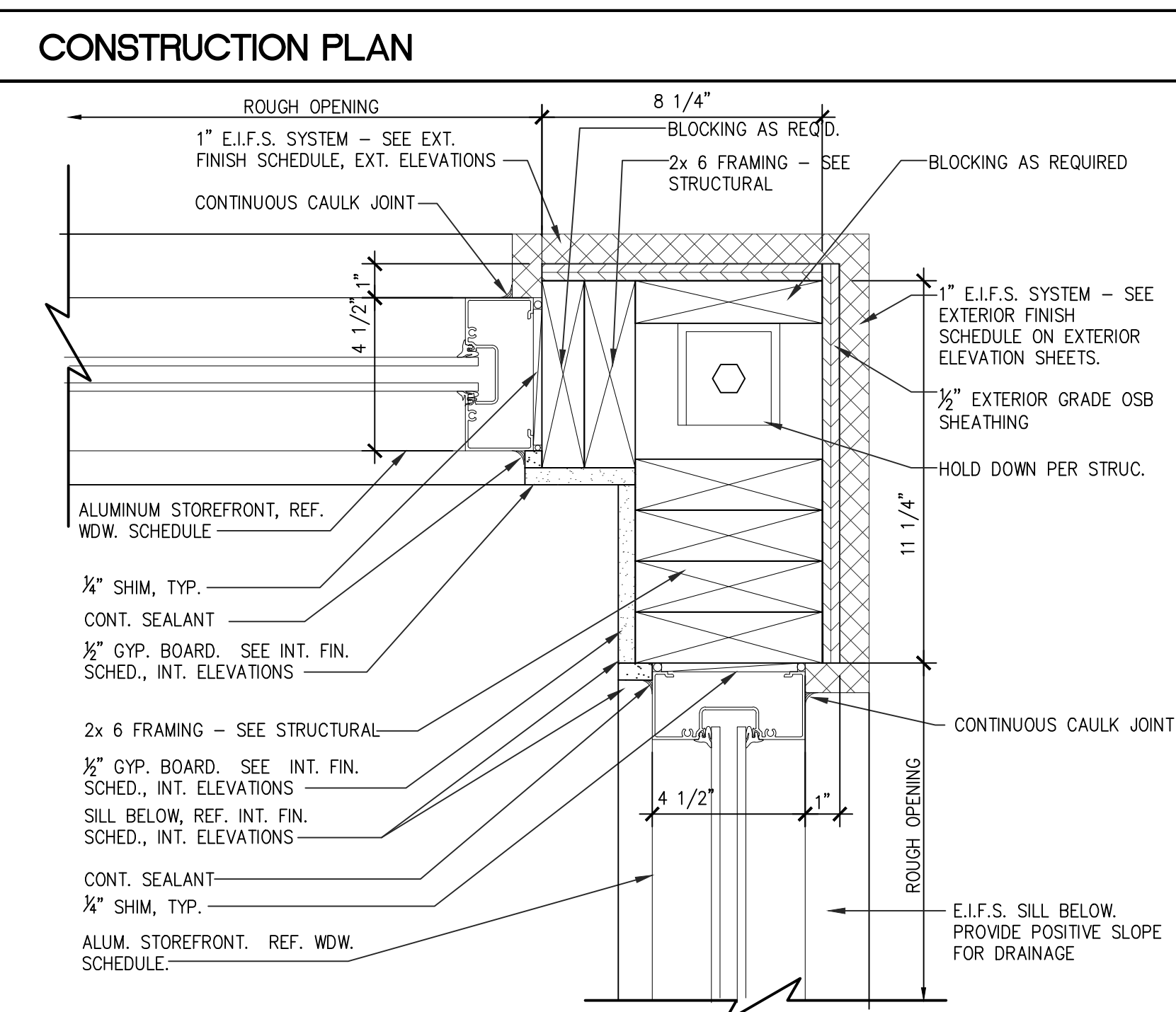
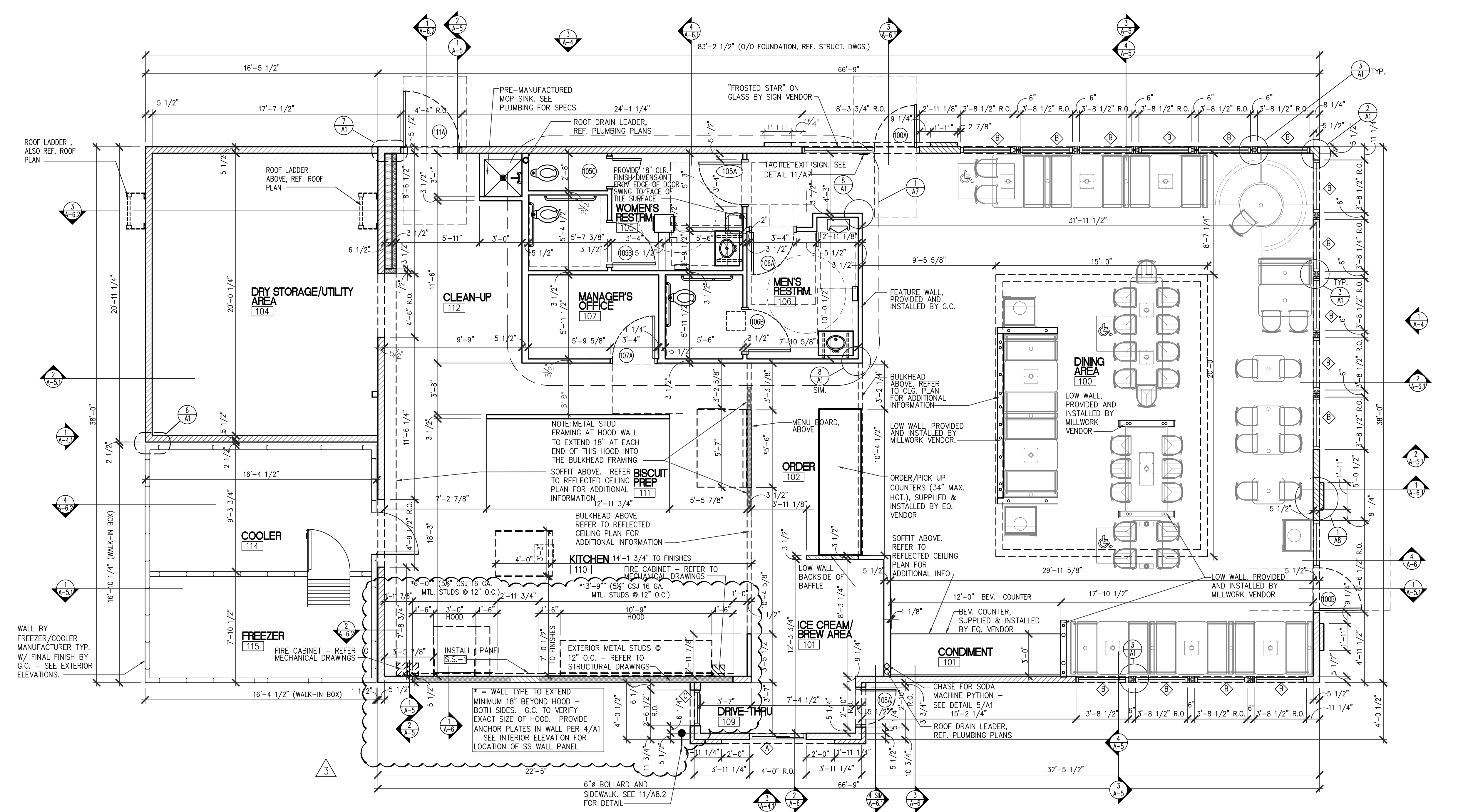
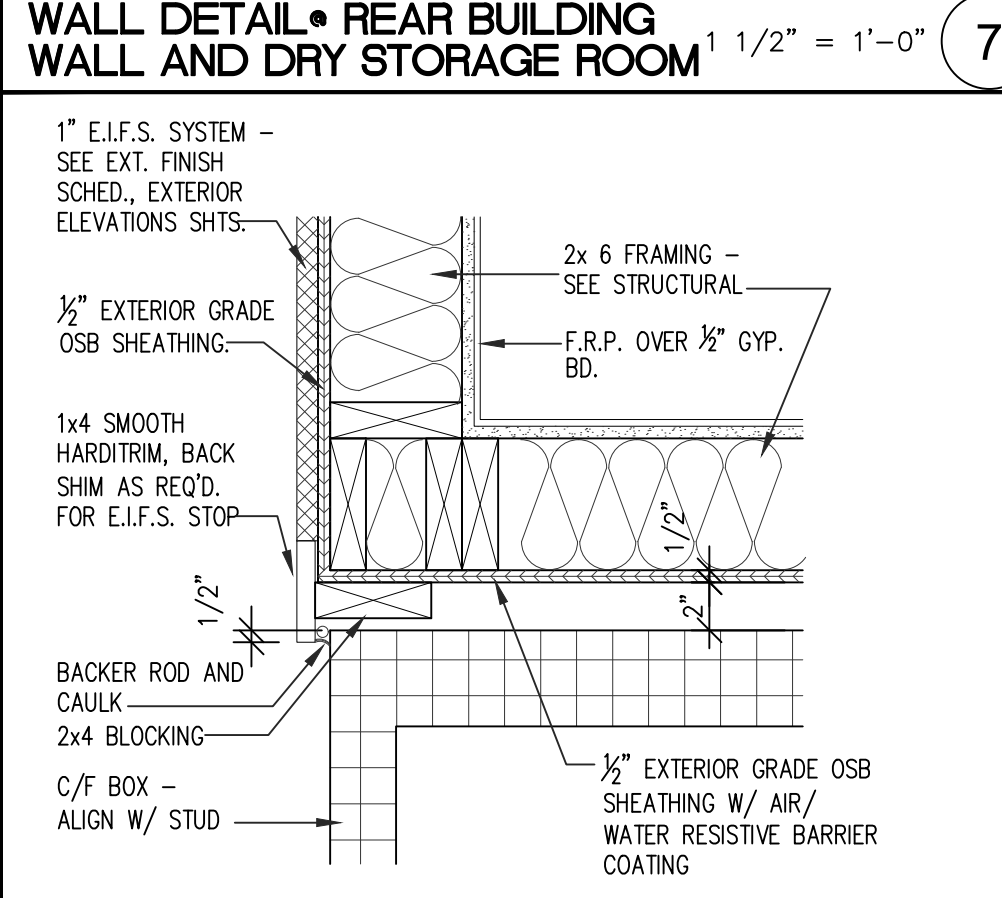
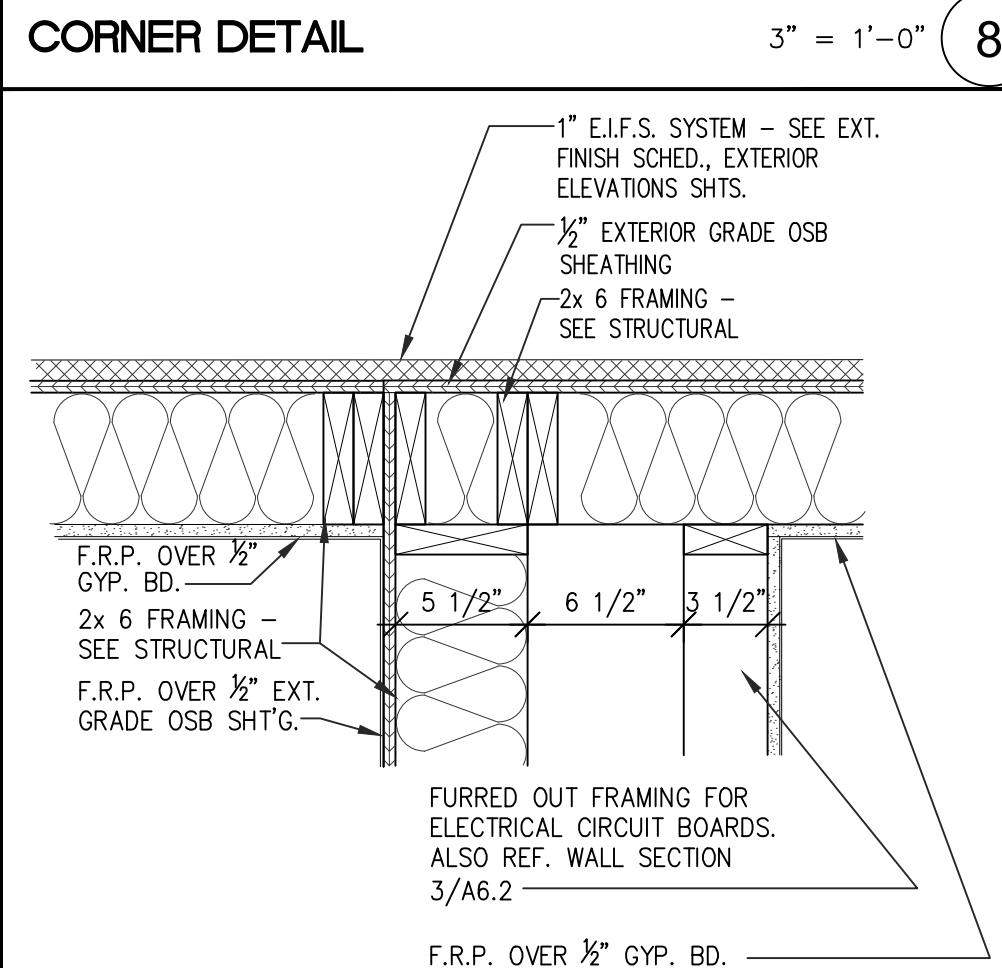
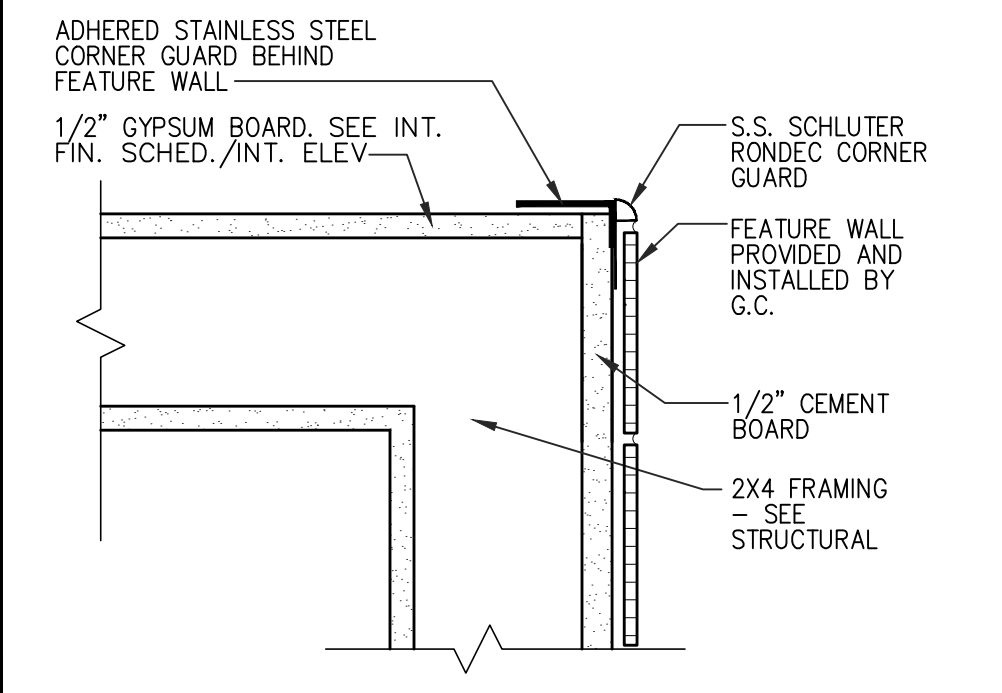
- GENERAL NOTES**
- DIMENSIONS SHOWN ARE FRAMING DIMENSIONS, UNLESS NOTED OTHERWISE. REFER TO FINISHES PLAN, SHEET A1.1 FOR REQUIRED INTERIOR WALL SUBSTRATES.
 - REFER TO FINISHES PLAN, SHEET A1.1 LOCATIONS OF FLOOR DRAINS AND SINKS.
 - REFER TO FINISHES PLAN, SHEET A1.1 FOR INTERIOR ELEVATION MARKERS.
 - REFER TO SHEET A-1.1 FOR DOOR AND WINDOW SCHEDULES.
 - PROVIDE 1/2" EXTERIOR GRADE OSB SHEATHING AT BUILDING EXTERIOR, TYPICAL UNLESS NOTED OTHERWISE. OSB SHEATHING SHALL BE STRUCTURALLY RATED AT SHEAR WALLS AS NOTED IN THE STRUCTURAL DRAWINGS.
 - UNDERCUT ALL INTERIOR DOORS 3/4" TO ALLOW FOR AIR CIRCULATION.

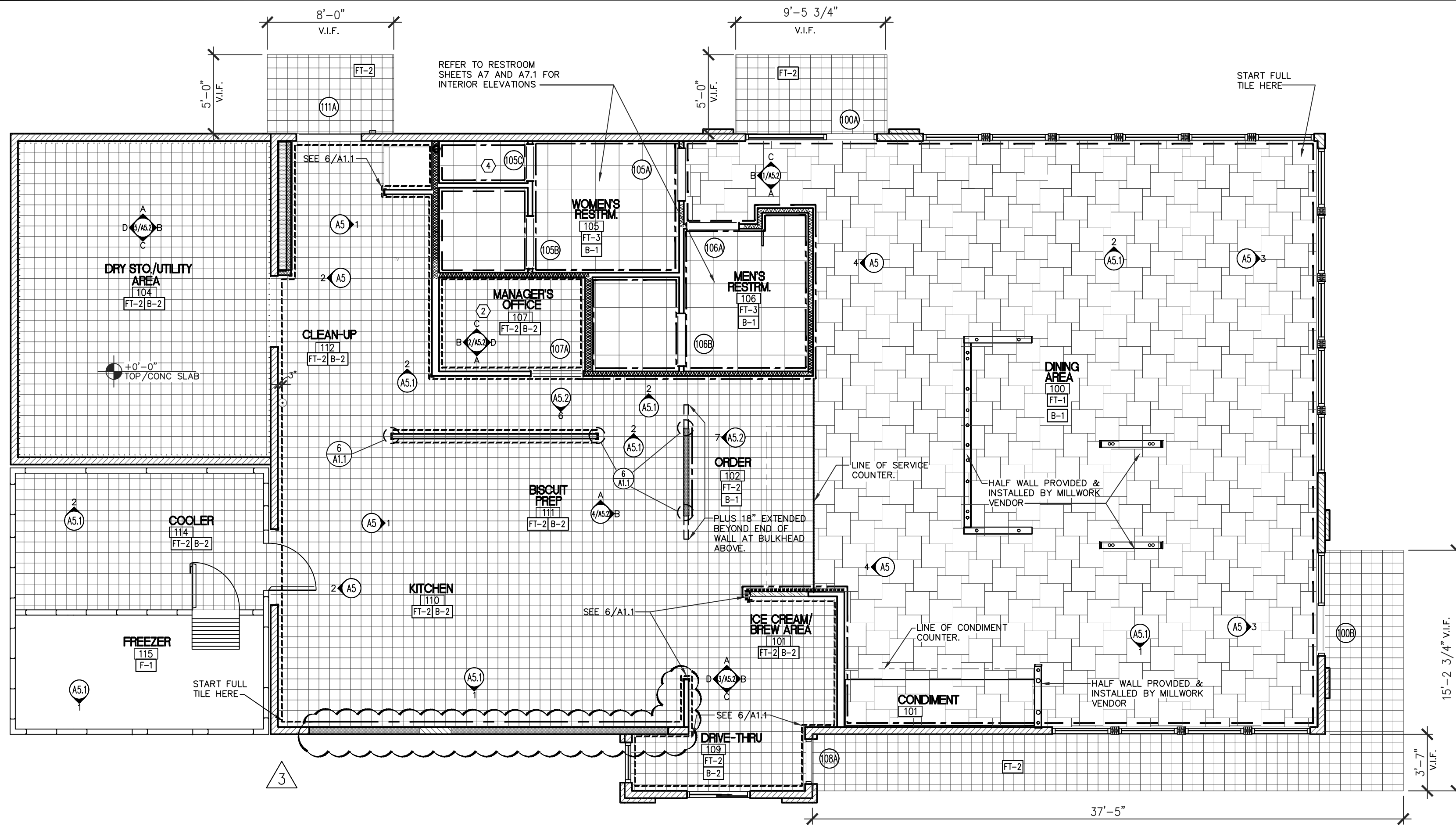
NOTE:

* = WALL TYPE TO EXTEND MINIMUM 18" BEYOND HOOD - BOTH SIDES. G.C. TO VERIFY EXACT SIZE OF HOOD. PROVIDE ANCHOR PLATES IN WALL PER 4/A1 - SEE INTERIOR ELEVATION FOR LOCATION OF SS WALL PANEL.

NOTE:

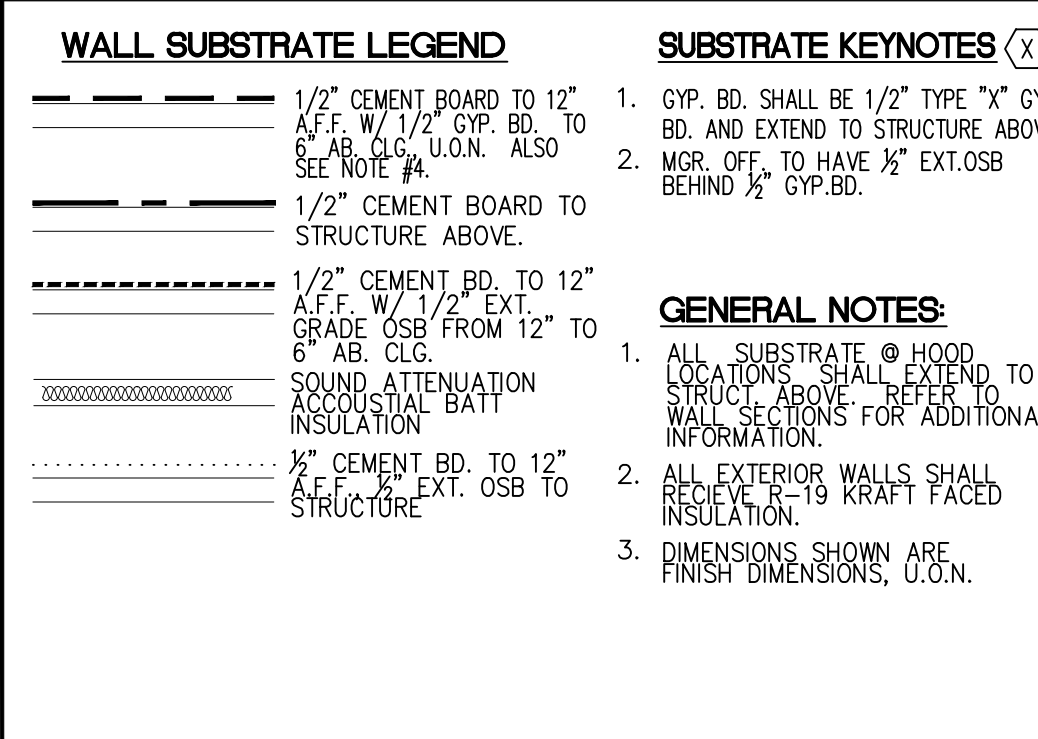
SEE STRUCTURAL DRAWINGS FOR SHEAR WALL LOCATIONS AND SHEAR WALL REQUIREMENTS



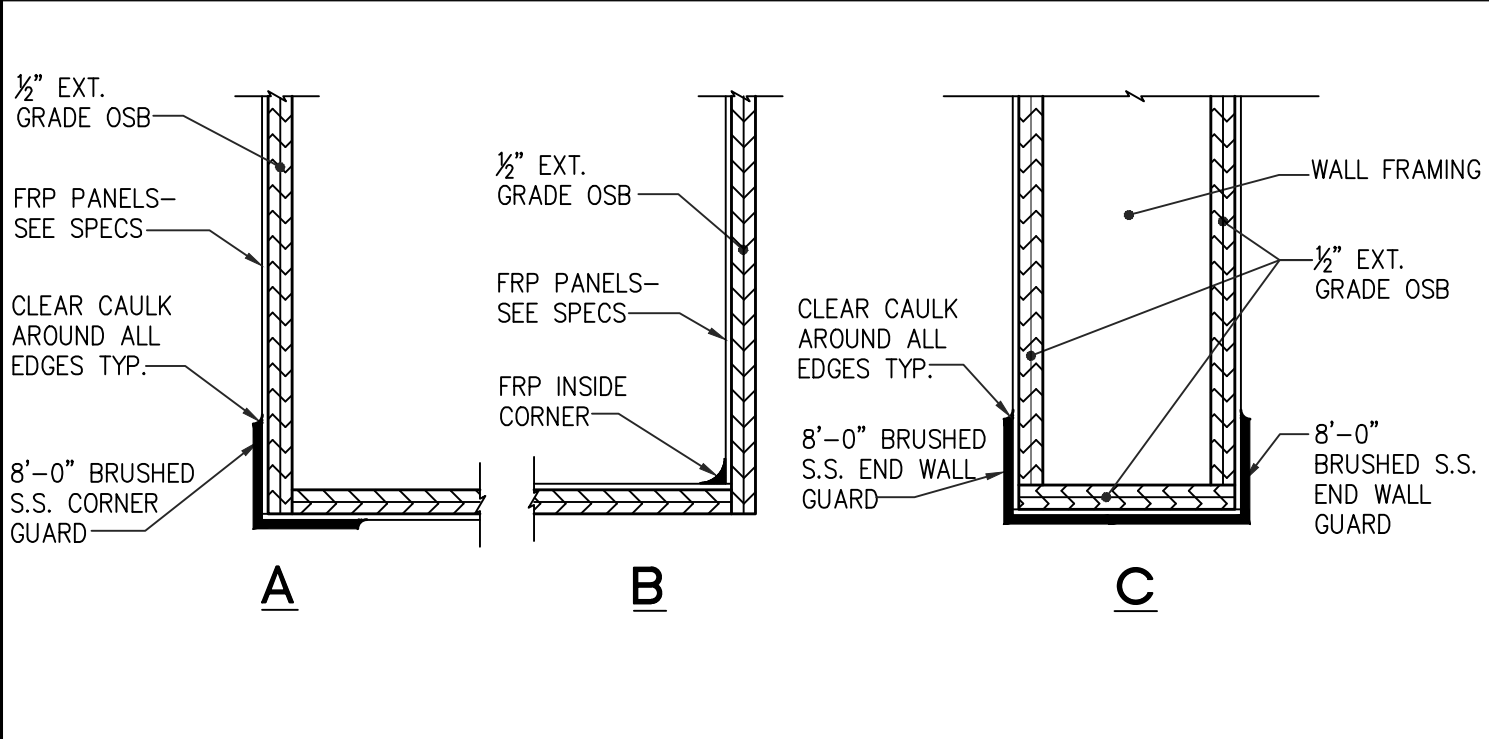


FINISHES PLAN

SCALE: 3/16" = 1'-0" 1



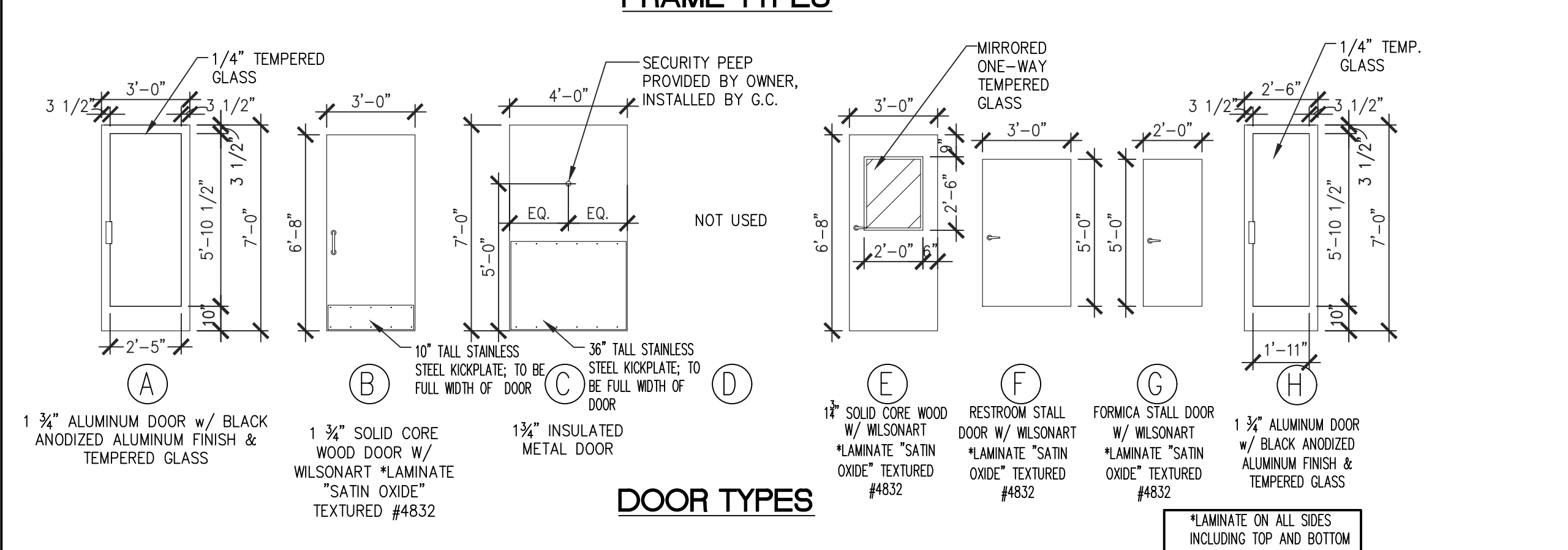
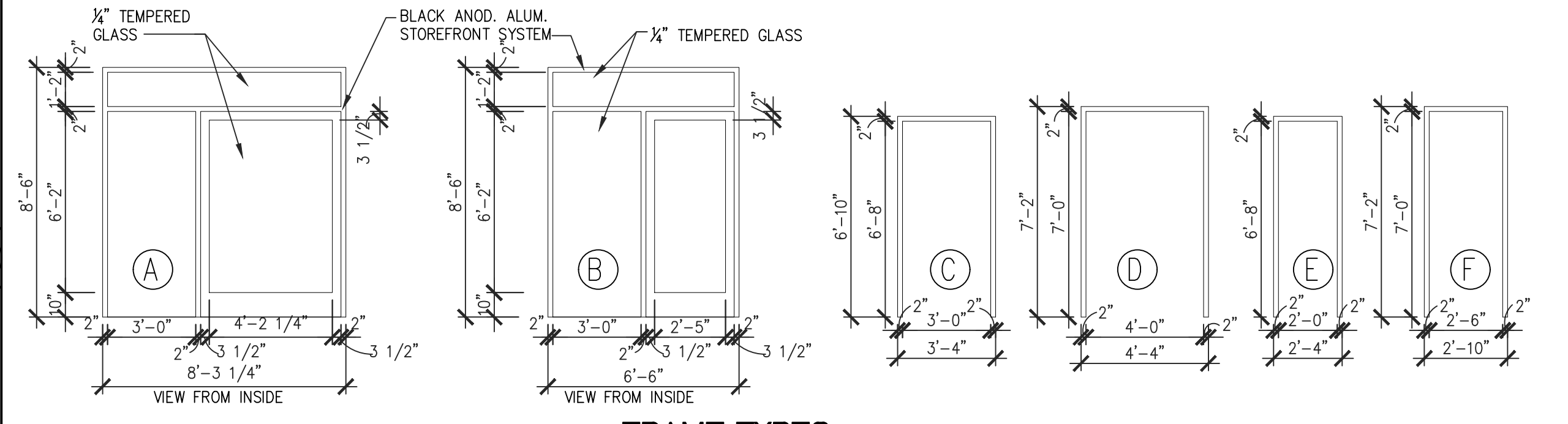
WALL SUBSTRATE LEGEND



CORNER GUARD DETAIL (TYP. FOOD PREP AREA) N.T.S. 6

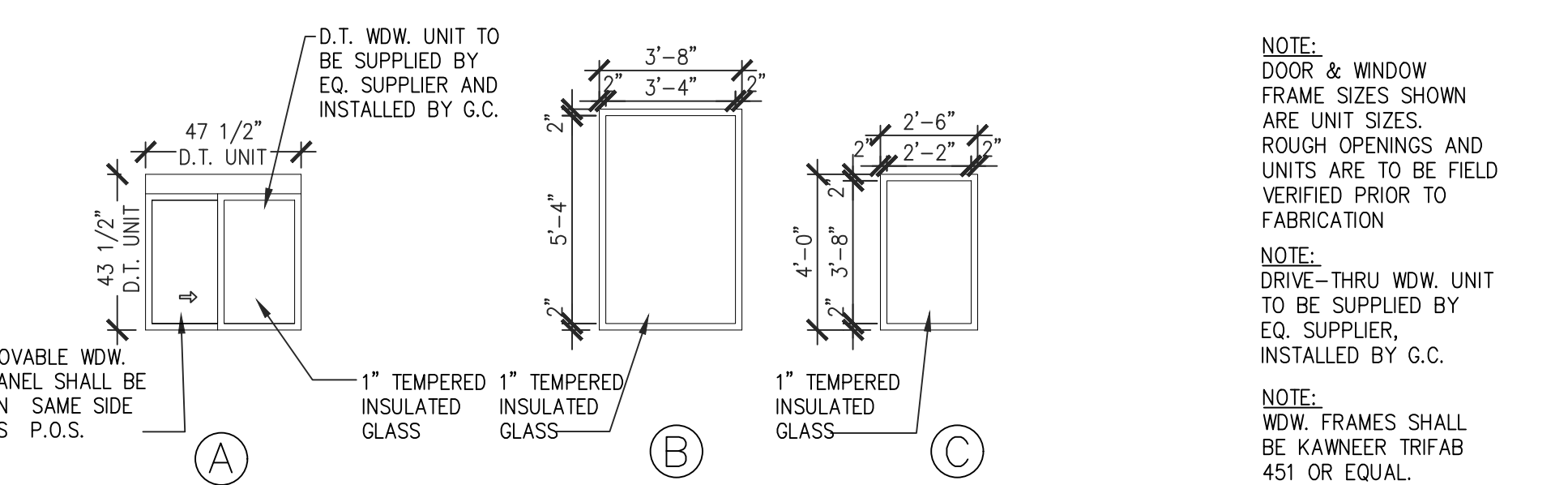
DOOR SCHEDULE

ROOM/ MARK	DOOR FINISHED OPENING SIZE	MATERIAL	DOOR TYPE	FRM	GLASS	GLASS TYPE	NOTES
100 (100A)	3'-0" x 7'-0"	BLACK ANOD. ALUM. DOOR w/TEMP. GLASS AND BLACK ANOD. ALUM. FRAME	A	--	A	--	1 190 SERIES DOOR/ TRIFAB 451 SERIES FRAME BY KAWNEER OR EQ.
100 (100B)	3'-0" x 7'-0"	BLACK ANOD. ALUM. DOOR w/TEMP. GLASS AND BLACK ANOD. ALUM. FRAME	A	--	B	--	1 190 SERIES DOOR/ TRIFAB 451 SERIES FRAME BY KAWNEER OR EQ.
105 (105A)	3'-0" x 6'-8"	HOLLOW METAL FRAME	B	L-1	C	P-1	2 --
105 (105B)	3'-0" x 5'-0"	HOLLOW METAL FRAME	F	L-1	C	P-1	4 TOILET STALL (HANG DOOR CENTERED IN FRAME)
105 (105C)	2'-0" x 5'-0"	HOLLOW METAL FRAME	G	L-1	E	P-1	4 TOILET STALL (HANG DOOR CENTERED IN FRAME)
106 (106A)	3'-0" x 6'-8"	HOLLOW METAL FRAME	B	L-1	C	P-1	2 --
106 (106B)	3'-0" x 5'-0"	HOLLOW METAL FRAME	F	L-1	C	P-1	4 TOILET STALL (HANG DOOR CENTERED IN FRAME)
107 (107A)	3'-0" x 6'-8"	HOLLOW METAL FRAME	E	L-1	C	P-1	3 --
108 (108A)	2'-6" x 7'-0"	BLACK ANOD. ALUM. DOOR w/ TEMP. GLASS AND BLACK ANOD. ALUM. FRAME	H	--	F	--	1 DOOR/FRAME BY KAWNEER OR EQ., TRIFAB 450 SERIES
111 (111A)	4'-0" x 7'-0"	HOLLOW METAL FRAME	C	P-3	D	P-3	5 --



HARDWARE SCHEDULE

HARDWARE SET NO.	DESCRIPTION	MANUFACTURER	FINISH
1	ALL DOOR HARDWARE FURNISHED IN STANDARD DOOR PACKAGE INCLUDING EXTERIOR CYLINDER DEADBOLT LOCK WITH INTERIOR THUMBTURN TO MEET ADA; OFFSET PIVOT HINGES; THRESHOLD; WEATHER STRIPPING.	STANLEY LCN	US 26D ALUMINUM BALDWIN US 32D
2	1 1/2" PR. HINGES FB-179 4 1/2 x 4 1/2	STANLEY LCN	US 26D ALUMINUM BALDWIN US 32D
3	1 CLOSER 1460 SERIES	STANLEY LCN	US 26D ALUMINUM BALDWIN US 32D
4	1 WALL-MOUNTED DOOR STOP #WS406	IVES	ALUMINUM
5	1 #CL3651 LEVER LOCKSET W/STRIKE	CORBIN/RUSSWIN	US 26D
6	1 1/2" PR. HINGES FB-179 4 1/2 x 4 1/2	STANLEY LCN	US 26D ALUMINUM BALDWIN US 32D
7	1 CLOTHES HOOK & DOOR BUMPER B-212	BOBBICK	US 26D
8	1 #CL3620 LEVER LOCKSET W/STRIKE	CORBIN-RUSSWIN	US 26D



WINDOW SCHEDULE

MARK	FINISHED WDW. SIZE	MATERIAL	HEAD	JAMB	SILL	REMARKS
A	47 1/2" x 43 1/2"	BLACK ANOD. ALUM.	2/A6	14/A8	13/A8	
B	3'-8" x 5'-8"	BLACK ANOD. ALUM.	3/A6	3/A6	3/A6	
C	2'-6" x 4'-0"	BLACK ANOD. ALUM.	15/A8 SIM.	15/A8 SIM.	15/A8	
D	NOT USED					

WINDOW SCHEDULE

SCALE: 1/4" = 1'-0" 2

ROOM FINISH SCHEDULE

ROOM TAG	ROOM/AREA DESCRIPTION	FLOOR	BASE	WALL	CEILING	CLIGHT	REMARKS
100	DINING AREA	FT-1	B-1	L-2, P1	ACT-1, AC-2	10'-0"	SEE DECOR DRAWINGS FOR ADDITIONAL FINISH SPECIFICATIONS
101	CONDIMENT AREA	FT-1	--	QU-1, P1	GYP. BD. SOFFIT / P-2	8'-8"	
102	ORDER AREA	FT-2	B-2	CT-1, CT-2	CT-3	10'-0"	
103	NOT USED						
104	DRY STORAGE/UTILITY AREA	FT-2	B-2	FRP-1	GYP-2 / P-5	VARIABLE W/ SLOPE	REFER TO INTERIOR ELEVATIONS FOR VARIOUS FINISH LOCATIONS.
105	WOMEN'S TOILET AREA	FT-3	B-1	CT-1, CT-2	GYP-1 / P-5	8'-0"	
106	MEN'S TOILET AREA	FT-3	B-1	CT-1, CT-2	GYP-1 / P-5	8'-0"	
107	MANAGERS OFFICE	FT-2	B-2	FRP-1	ACT-3	9'-0"	REF. "MATERIALS SCHEDULE", SHT. A-2 FOR ADDITIONAL CEILING SPECIFICATIONS
108	ICE CREAM/BEVERAGE	FT-2	B-2	FRP-1	ACT-3	8'-0"	
109	DRIVE-THRU AREA	FT-2	B-2	FRP-1	ACT-3	8'-0"	
110	KITCHEN AREA	FT-2	B-2	FRP-1, SS-1	ACT-3	8'-0"	
111	BISCUIT PREP AREA	FT-2	B-2	FRP-1, SS-1	ACT-3	8'-0"	MANAGERS OFFICE TO HAVE FRP OVER 1/2" GYP.
112	CLEAN-UP/PREP AREA	FT-2	B-2	FRP-1	ACT-3	8'-0"	
113	NOT USED						
114	COOLER	FT-2	--	FACTORY FINISH	FACTORY FINISH	8'-0"	
115	FREEZER	F-1	--	FACTORY FINISH	FACTORY FINISH	8'-0"	

ROOM FINISH SCHEDULE

N.T.S. 3

MATERIAL SCHEDULE

SYMBOL	MATERIAL	DESCRIPTION	REMARKS
ACT-1	2' x 2' CEILING TILE	ARMSTRONG - FINE FISSED #928 WHITE COLORED TILE WITH SQUARE EDGE. ARMSTRONG 15/16" TEE GRID SYSTEM WITH MATCHING WHITE COLOR.	
ACT-2	2' x 2' CEILING TILE	ARMSTRONG - FINE FISSED #1728 BL - TECH BLACK COLORED TILE WITH SQUARE EDGE. ARMSTRONG 15/16" EXPOSED TEE GRID SYSTEM WITH MATCHING TECH BLACK COLOR.	
ACT-3	2' x 2' WASHABLE CEILING TILE	USG (800) 950-3839 - SHEETROCK CLIMAPLUS 3270 VINYL FACED GYPSUM LAY-IN PANELS, 24"x24"x1/2" SQUARE EDGE, WHITE TRIPPLE, w/DOWN SERIES DKL GLASS A 15/16" STANDARD EXPOSED GRID SYSTEM, COLOR: FLAT LATEX	
GYP-1	GYP. BOARD, CEILING	GYP. BOARD CEILING (RESTROOMS). PAINTED SHERWIN WILLIAMS SW7009 COLOR: - PEARLY WHITE	PAINT
GYP-2	GYP. BOARD, CEILING	GYP. BD. CEILING (DRY STORAGE AREA). PAINTED SHERWIN WILLIAMS SW7009 COLOR: PEARLY WHITE - SATIN LATEX	PAINT
FRP-1	FIBERGLASS REINFORCED PANEL - FRP	MARLITE (OR EQUAL) - "WHITE" PROVIDE MATCHING MOULDING AND TRIM	
B-1	TILE BASE	CROSSVILLE - AV213 6"x12" COLOR: BISTRO BROWN GROUT: LATICRETE #35 MOCHA, JOINTS: 3/16"	
B-2	TILE BASE	CROSSVILLE - AB80 ONYX COVE BASE 6"x8" GROUT: LATICRETE #35 MOCHA, JOINTS: 3/16"	
FT-1	FLOOR TILE	CROSSVILLE - AV213 18"x18" COLOR: BISTRO BROWN WITH CROSSVILLE - AV213 6"x6" COLOR: BISTRO BROWN GROUT: LATICRETE #35 MOCHA, JOINTS: 3/16"	LAY TILE IN LARGE PINWHEEL PATTERN (PER CROSSVILLE PATTERN 22)
FT-2	ABRASIVE FLOOR TILE	CROSSVILLE CROSSSTREAD AB80 ONYX 8"x8" GROUT: LATICRETE #35 MOCHA, JOINTS: 3/16"	LAY TILE IN LARGE PINWHEEL PATTERN (PER CROSSVILLE PATTERN 22)
FT-3	FLOOR TILE	CROSSVILLE - AV213 18"x18" COLOR: BISTRO BROWN GROUT: LATICRETE #35 MOCHA, JOINTS: 3/16"	90" SQ. GRID PATTERN
F-1	FACTORY FLOOR	FLOOR PROVIDED BY FREEZER/COOLER MANUFACTURER	
CT-1	WALL TILE - FIELD	CROSSVILLE - AV291 12"x24" - COLOR: SILICA * SEE CT-2 WALL ACCENT TILE FOR ADDITIONAL INFORMATION * PROVIDE SCHLUTER OUTSIDE CORNER TRIM & END TERMINATION TRIMS AS REQ'D. SHALL MATCH OTHER METAL TRIM TREATMENTS IN SHEEN & METAL TYPE.	GROUT: LATICRETE #24 GRAY JOINTS: 3/16"
CT-2	WALL TILE - ACCENT (w/CT-1 WALL TILE - FIELD)	CROSSVILLE - AV285 12"x36" - COLOR: BANK ROLL. INSTALL A SINGLE ROW OF THIS ACCENT TILE AT 5'-6" A.F.F. TO THE BOTTOM EDGE OF THE ACCENT TILE. SEE INTERIOR ELEVATIONS, SHTS. AS, AS.1, AND AS.2.	GROUT: LATICRETE #24 GRAY JOINTS: 3/16"
SS-1	STAINLESS STEEL PANELS	18ga. - #4 BRUSHED FINISH - WITH TRIM STRIPS	FURN. & INSTALLED BY G.C. \ M.C.
SS-2	STAINLESS STEEL CORNER GUARDS	PROVIDED / INSTALLED BY G.C. SEE SHEETS A1.1 AND SHEETS AS, AS.1, AND AS.2 FOR ADDITIONAL INFORMATION	
L-1	PLASTIC LAMINATE	SELECTED DOORS - WILSONART: 4832 SATIN OXIDE (TEXTURED)	SEE SHEET A1.1 "DOOR TYPES"
L-2	WALL COVERING LAMINATE / WAINSCOT	PROVIDED / INSTALLED BY DECOR NATIONAL ACCOUNT. PROVIDED / INSTALLED ARE 1/8" NUDO PANELS w/ WILSONART 4832 SATIN OXIDE TEXTURED LAMINATE WITH ALL METAL TRIM PIECES. ALSO PROVIDED / INSTALLED IS CHAIR RAIL SCHLUTER MTL. TRIM PRODUCT(S).	ALL TILE PROVIDED AND INSTALLED BY G.C.
L-3	FEATURE WALL LAMINATE w/ FEATURE MTL. STAR	PROVIDED / INSTALLED BY G.C. 1/2" LAMIN. PANELS WITH NEYAMAR: W003T VALENICA TEAK TEXTURE (HORIZONTAL GRAIN) ALONG WITH METAL TRIM PRECAST STAINLESS STEEL STAR	
P-1	PAINT	SHERWIN WILLIAMS - SW7039 COLOR: VIRTUAL TAUPE	SATIN LATEX
P-2	PAINT	SHERWIN WILLIAMS - SW6601 COLOR: TANAGER	SATIN LATEX
P-3	PAINT	SHERWIN WILLIAMS - SW6258 COLOR: TRICORN BLACK	SATIN ENAMEL
P-4	PAINT	SHERWIN WILLIAMS - SW6107 COLOR: NOMADIC DESERT	FLAT LATEX
P-5	PAINT	SHERWIN WILLIAMS - SW7009 COLOR: PEARLY WHITE	SATIN LATEX

MATERIAL SCHEDULE

N.T.S. 4

DOOR SCHEDULE

SCALE: 1/4" = 1'-0" 5

NRD Project # 19187

NRD national restaurant designers ARCHITECTS & ENGINEERS

3005 CARRINGTON MILL BLVD. SUITE 150 MORRISVILLE, NORTH CAROLINA 27560
 ph: 919-344-7251 fax: 919-344-9399
 Division of LMR Associates

REGISTERED ARCHITECT

13698

STATE OF NORTH CAROLINA

REGISTERED PROFESSIONAL ENGINEER

13698

STATE OF NORTH CAROLINA

Handee HARDWARES STANDARD PROTOTYPE

NC HWY 87 & BUFFALO RD. CAMERON, NC 28520

BODDE-NOELL ENTERPRISES, INC.

P.O. BOX 1908 ROCKY MOUNT, NC 27802-1908 (252) 867-2800

OWNER

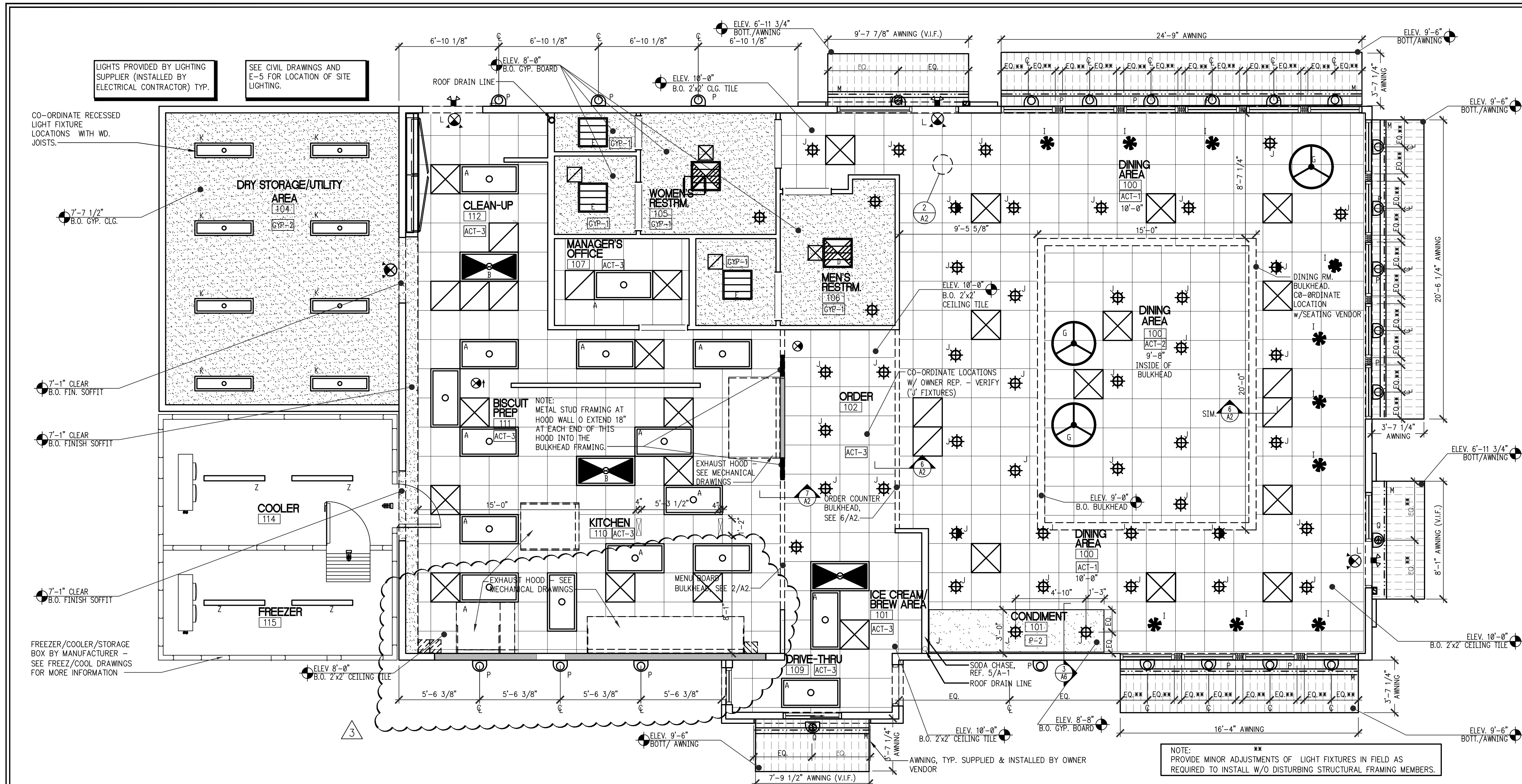
REVISIONS

NO.	DESCRIPTION	DATE
1	BOBDE IN CHIEFEN	9/24/20

FINISH PLAN AND SCHEDULES

DATE: 01-31-2020

SHEET NUMBER: A-1.1



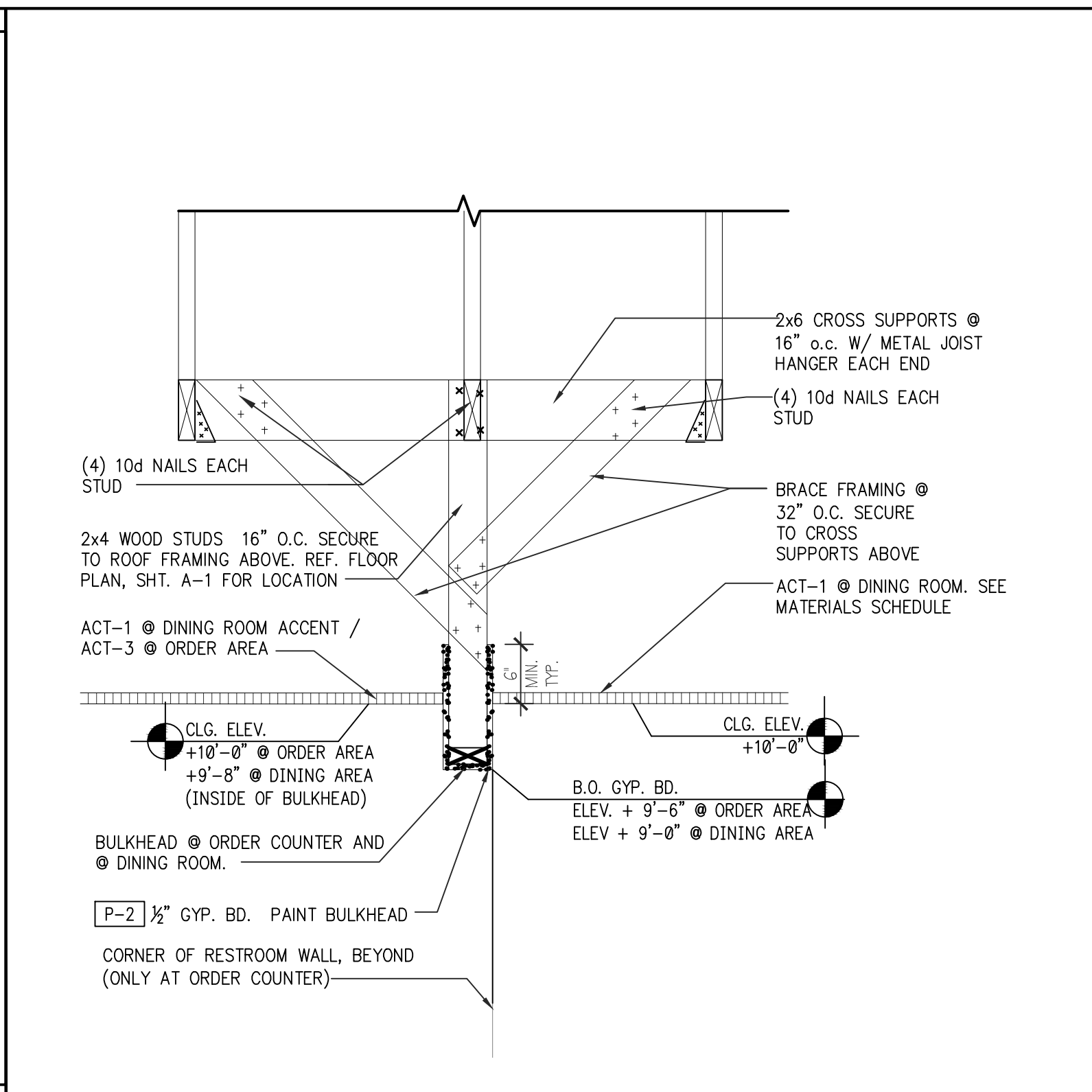
REFLECTED CEILING PLAN

SCALE: 1/4" = 1'-0" 1

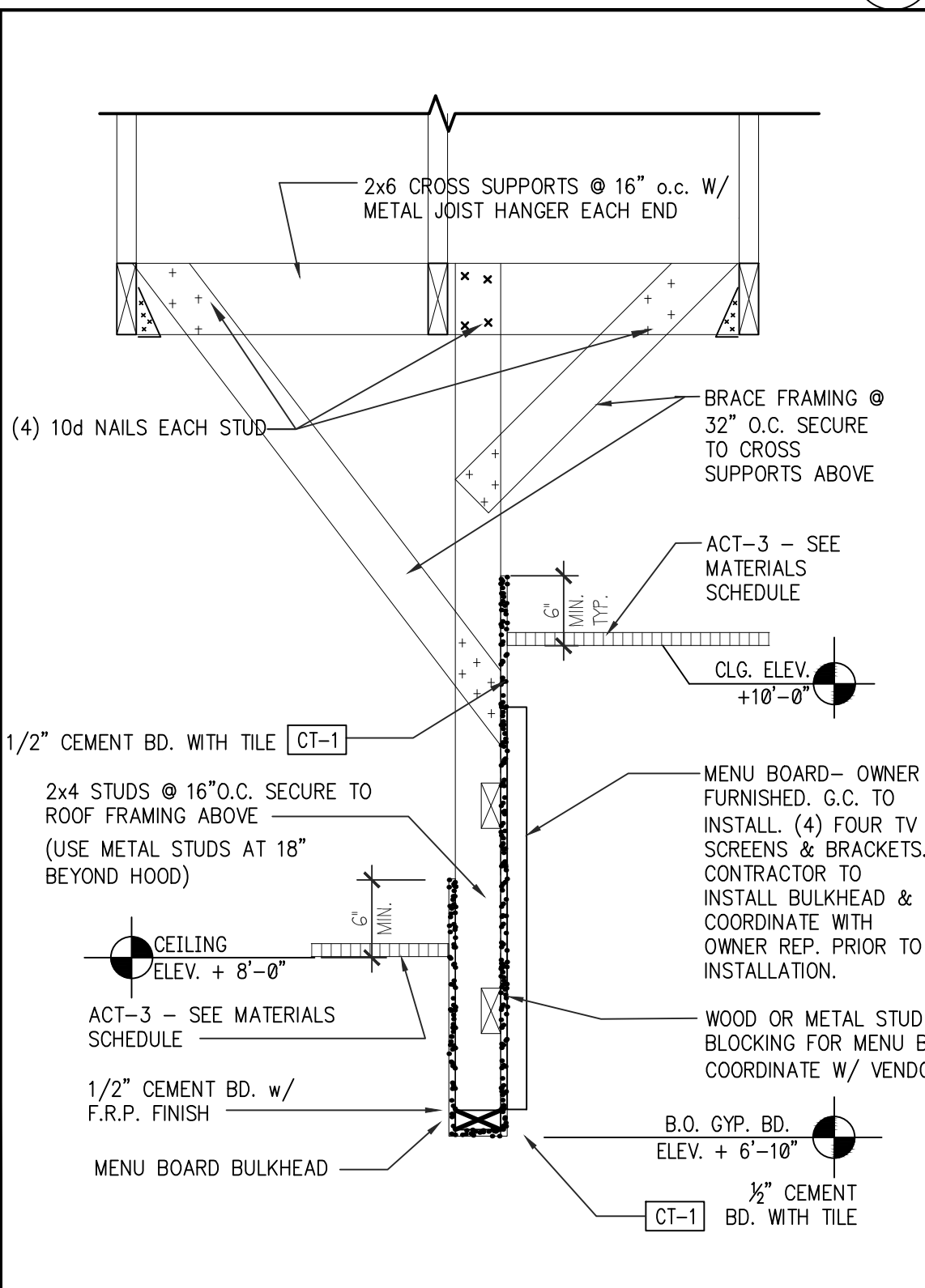
LIGHTING FIXTURE SCHEDULE						
FIXTURE TYPE	SYMBOL	DESCRIPTION	MANUFACTURER & MODEL NUMBER	LAMP TYPE	LAMP WATTAGE	REMARKS
A		2x4 LAY-IN LED W/ PRISMATIC LENS LED LAMP PROPPER W/ REFLECTOR AND DRIVER	SECURITY LITE (COLUMBIA) LT24-40MLG-PSA1-2-ED	LED	52W	G.C. TO ORDER APPROPRIATE MOUNTING HARDWARE AS REQUIRED FOR PROPER CEILING INSTALLATION
B		SIMILAR TO 'A' W/ BUILT INVERTERS FOR EMERGENCY LIGHTING.	SECURITY LITE (COLUMBIA) LT24-40MLG-PSA1-2-ED W/ EL14	LED	52W	
D		2x2 RECESSED LED W/ PRISMATIC LENS LED LAMP FIXTURE W/ ENHANCED ALUM REFLECTOR W/ INVERTER FOR EMERGENCY LIGHTING.	SECURITY LITE (COLUMBIA) LT22-40MLG-PSA1-2-ED W/ EL14	LED	35W	
E		SIMILAR TO 'D' W/ OUT INVERTER	SECURITY LITE (COLUMBIA) LT22-40MLG-PSA1-2-ED	LED	35W	
F		PENDANT FIXTURE	SECURITY LITE 2345 / AU-OP.	LED	6W	HELIX PENDANT OPAL LENS TRAP
G		PENDANT FIXTURE	SECURITY LITE LCE-WG-3026LD-BD-GEN2	LED	27W	LARGE DRUM PENDANT WITH 18x30" DIA. SHROD. WITH 3 LED LAMPS 2500K
J		RECESSED LED DOWN LIGHT	SECURITY LITE #SLGLED K-35K-9-WH / DBDGL	LED	12W	PROVIDE WHITE TRIM & BLACK TRIM (FOR THE WHITE CLG. & BLACK CLG.)
K		DRY STORAGE/UTILITY AREA - 1x4" RECESSED LED	SECURITY LITE LT14-40MLG-PSA1-2F-EDU-WP	LED	26W	GYP. BOARD MOUNTING KIT 1x4 RECESSED LED WITH WHP
L		EMERGENCY SIGN LIGHT COMBO W/ REMOTE OUTDOOR FIXTURE	SECURITY LITE EY2URB24	LED	3.63W	EMERGENCY COMBO SIGN SHALL BE WHITE
L1		EXIT SIGN	SECURITY LITE EY2URK	LED	1.42W	EXIT SIGN SHALL BE WHITE
L2		REMOTE OUTDOOR DUAL HEAD EMERGENCY LIGHT FIXTURE	SECURITY LITE EY2UR2	LED	6W	REMOTE FIXTURE SHALL BE BLACK
M		AWNING LED				LED SUPPLIED W/ AWNING. G.C. TO SUPPLY/CONNECT POWER.
P		AWNING UPLIGHT & DOWNLIGHT	SECURITY LITE RWSC-73L-SK-UD-U-BK	LED	25W	WALL SCOURCE, UP/DOWN LIGHTING, 25 WATT, BLACK FINISH
Q		AWNING DOWNLIGHT ONLY	SECURITY LITE RWSC-36L-SK-UD-U-BK	LED	14W	WALL SCOURCE, DOWN LIGHTING, 14 WATT, BLACK FINISH
T1		SITE LIGHT				SEE CIVIL DWGS. FOR LOCATION
T2		SITE LIGHT				SEE CIVIL DWGS. FOR LOCATION

LIGHT FIXTURE SCHEDULE SCHEDULE REVISED TO MATCH LIGHT FIXTURE SCHEDULE SHEET E-2.

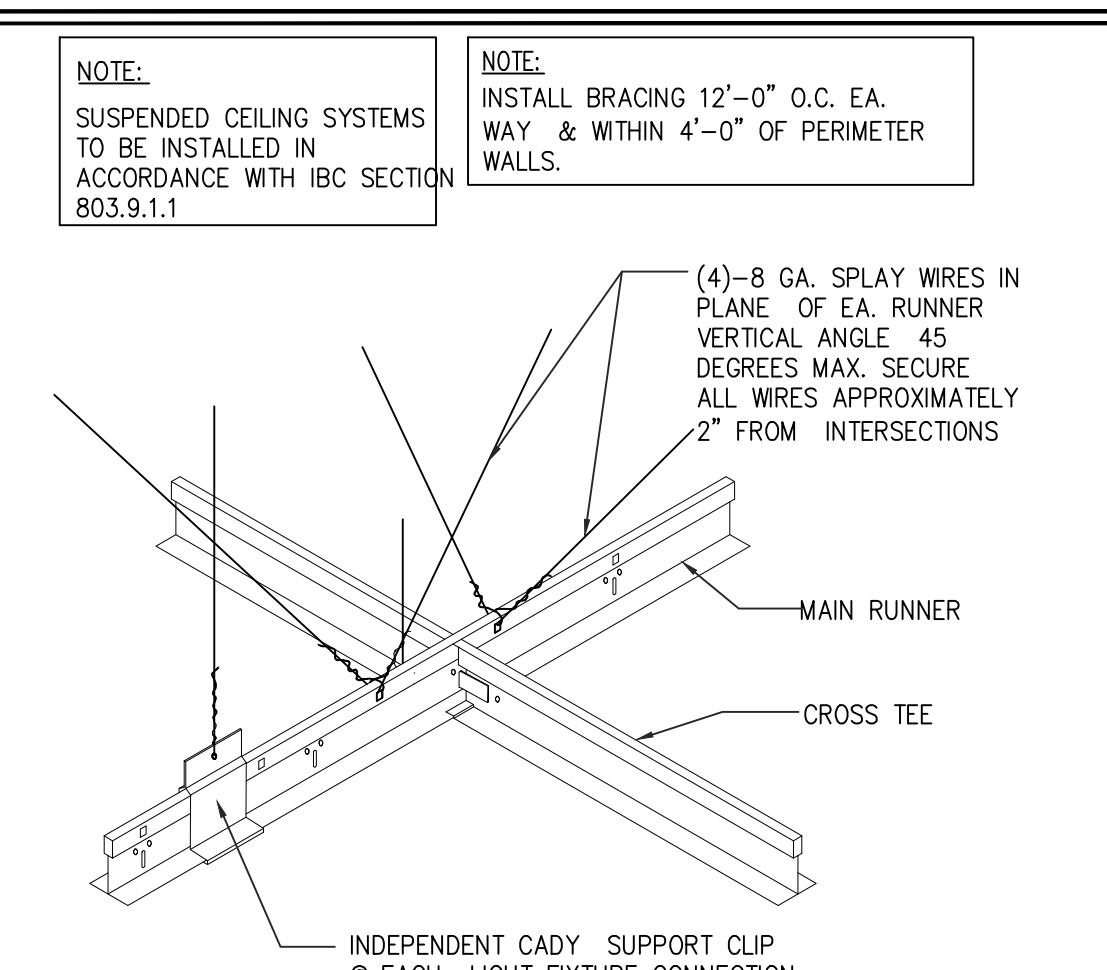
N.T.S. 5



BULKHEAD DTL. • ORDER COUNTER / DINING ROOM SCALE: 1" = 1'-0" 6



MENU BOARD BULKHEAD DTL. SCALE: 1" = 1'-0" 7



SUSPENDED LAY-IN CEILING DTL. SCALE: 1" = 1'-0" 2

CEILING LEGEND		
SYMBOL	DESCRIPTION	REMARKS
	RESTROOM EXHAUST DUCT	REFER TO THE MECHANICAL DWGS FOR THE CEILING GRILLE SPECS
	SUPPLY DIFFUSERS (TYPICAL)	REFER TO THE MECHANICAL DWGS FOR THE CEILING GRILLE CORRESPONDING CEILING COLOR
	RETURN/EXHAUST GRILLE	REFER TO THE MECHANICAL DWGS FOR THE CEILING GRILLE CORRESPONDING CEILING COLOR
	MUSIC SPEAKERS	FURNISHED & INSTALLED BY AUDIO VENDOR. PAINT TO MATCH CEILING TILES
	DRIVE-THRU SPEAKERS	FURNISHED BY OWNER, INSTALLED BY GC
	SURFACE MOUNTED SPEAKERS	FURNISHED & INSTALLED BY AUDIO VENDOR.

NOTES

- THE ELECTRICAL CONTRACTOR SHALL FURNISH AND INSTALL ALL REQUIRED ACCESSORIES, OPTIONS, MOUNTING HARDWARE, AND FIELD FABRICATION REQUIRED TO PROPERLY ADAPT THE FIXTURES TO THE SPECIFIC APPLICATIONS.
- LAY-IN LIGHTING FIXTURES SHALL NOT RELY ON THE CEILING SYSTEM ALONE FOR SUPPORT. LAY-IN LIGHTING FIXTURES SHALL BE SUPPORTED FROM THE STRUCTURE BY NO LESS THAN TWO HANGER WIRES AND SECURED TO THE CEILING GRID SYSTEM WITH THE APPROPRIATE SCREW HARDWARE.
- CUT-OUTS AT FIXTURES IN LAY-IN CEILING SHALL BE PRECISE WITH NO GAPS, CHIPS OR IRREGULARITIES.
- CEILING GRID SHALL BE LEVEL WITHIN A TOLERANCE OF 1/8" IN A SPAN OF 10'-0".
- ELECTRICAL CONTRACTOR TO CLEARLY LABEL PANEL BOARD CIRCUITING AS TO OPERATION.
- ALL ELECTRICAL DEVICES SHALL BEAR THE U.L. LABEL.
- ALL ELECTRICAL WORK SHALL FOLLOW ALL APPLICABLE NATIONAL, STATE AND LOCAL CODES, REGULATIONS AND LAWS.
- SEE ELECTRICAL DRAWINGS FOR ADDITIONAL REQUIREMENTS AND SPECIFICATIONS.
- SEE MECHANICAL DRAWINGS FOR ADDITIONAL REQUIREMENTS AND SPECIFICATIONS.
- DIMENSIONS SHOWN ARE FINISH DIMENSIONS, UNLESS NOTED OTHERWISE.
- REFER TO FLOOR PLAN, SHT. A-1 FOR FRAMING DIMENSIONS OF WALLS AND BULKHEADS.
- AT DINING AREAS, THIS ORDER AREA, KITCHEN AREA, MANAGER OFFICE, ALL SUPPLY AND RETURN DIFFUSERS (AND CEILING SPEAKERS WHERE APPLICABLE) ARE TO BE FACTORY FINISH COLOR AND SHALL MATCH THE COLOR OF ADJOINING CEILING.
- AT EACH RESTROOM, ALL EXHAUST FANS, SUPPLY DIFFUSERS, AND SPEAKERS ARE TO BE FACTORY FINISH COLOR: WHITE.

MATERIALS SCHEDULE

SYMBOL	MATERIAL	DESCRIPTION	REMARKS
ACT-1	2'x 2' CEILING TILE	ARMSTRONG - FINE FISSURED #928 WHITE COLORED TILE WITH SQUARE EDGE. ARMSTRONG 15/16" TEE GRID SYSTEM WITH MATCHING WHITE COLOR.	
ACT-2	2'x 2' CEILING TILE	ARMSTRONG - FINE FISSURED #1728 BL - TECH BLACK COLORED TILE WITH SQUARE EDGE. ARMSTRONG 15/16" EXPOSED TEE GRID SYSTEM WITH MATCHING TECH BLACK COLOR.	
ACT-3	2'x 2' WASHABLE CEILING TILE	USG (800) 950-3839 - SHEETROCK CLIMAPLUS 3270 VINYL FACED GYPSUM LAY-IN PANELS, 24"x24"x1/2" SQUARE EDGE, WHITE STIPPLE, w/DOWN SERIES DXL CLASS A 15/16" STANDARD EXPOSED GRID SYSTEM, COLOR: FLAT WHITE	
GYP-1	GYP. BOARD. CEILING	5/8" GYP. BOARD CEILING (RESTROOMS). PAINTED SHERWIN WILLIAMS SW7009 COLOR PEARLY WHITE - SATIN LATEX	SEE P-4 SHT. A1.1
GYP-2	GYP. BOARD. CEILING	5/8" GYP. BD. CEILING (DRY STORAGE AREA). PAINTED SHERWIN WILLIAMS SW7009 COLOR: PEARLY WHITE - SATIN LATEX	SEE P-5 SHT. A1.1

MATERIALS SCHEDULE N.T.S. 8

NRD Project # 19187

NRD national restaurant architects & engineers

3005 CARRINGTON MILL BLVD., SUITE 150
MORRISVILLE, NORTH CAROLINA, 27560
ph: 919-344-7251 fax: 919-344-9359
Division of LMR Associates

REGISTERED ARCHITECT
13698
NORTH CAROLINA
MORRISVILLE

Hardee's
CHARACTER-DRIVEN RESTAURANT

HARDEE'S STANDARD PROTOTYPE
NC HWY 87 & BUFFALO RD.
CAMERON, NC 28520

BODDE-NOELL ENTERPRISES, INC.
P.O. BOX 1908
ROCKY MOUNT, NC
27802-1908
(252) 967-2800

OWNER
BN

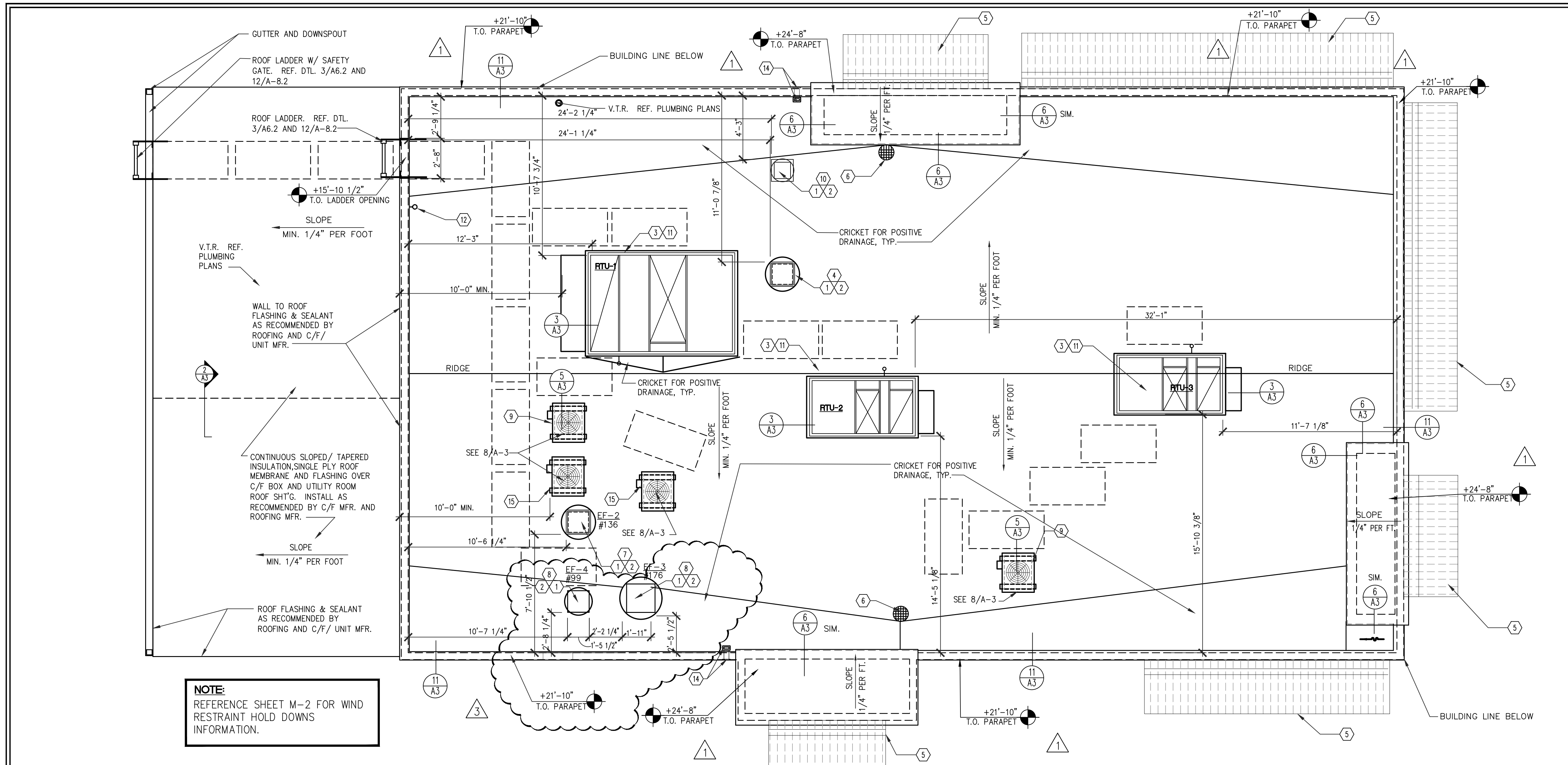
NO.	DATE	DESCRIPTION
1	3/24/20	
2		
3		
4		
5		
6		
7		
8		

REFLECTED CEILING PLAN

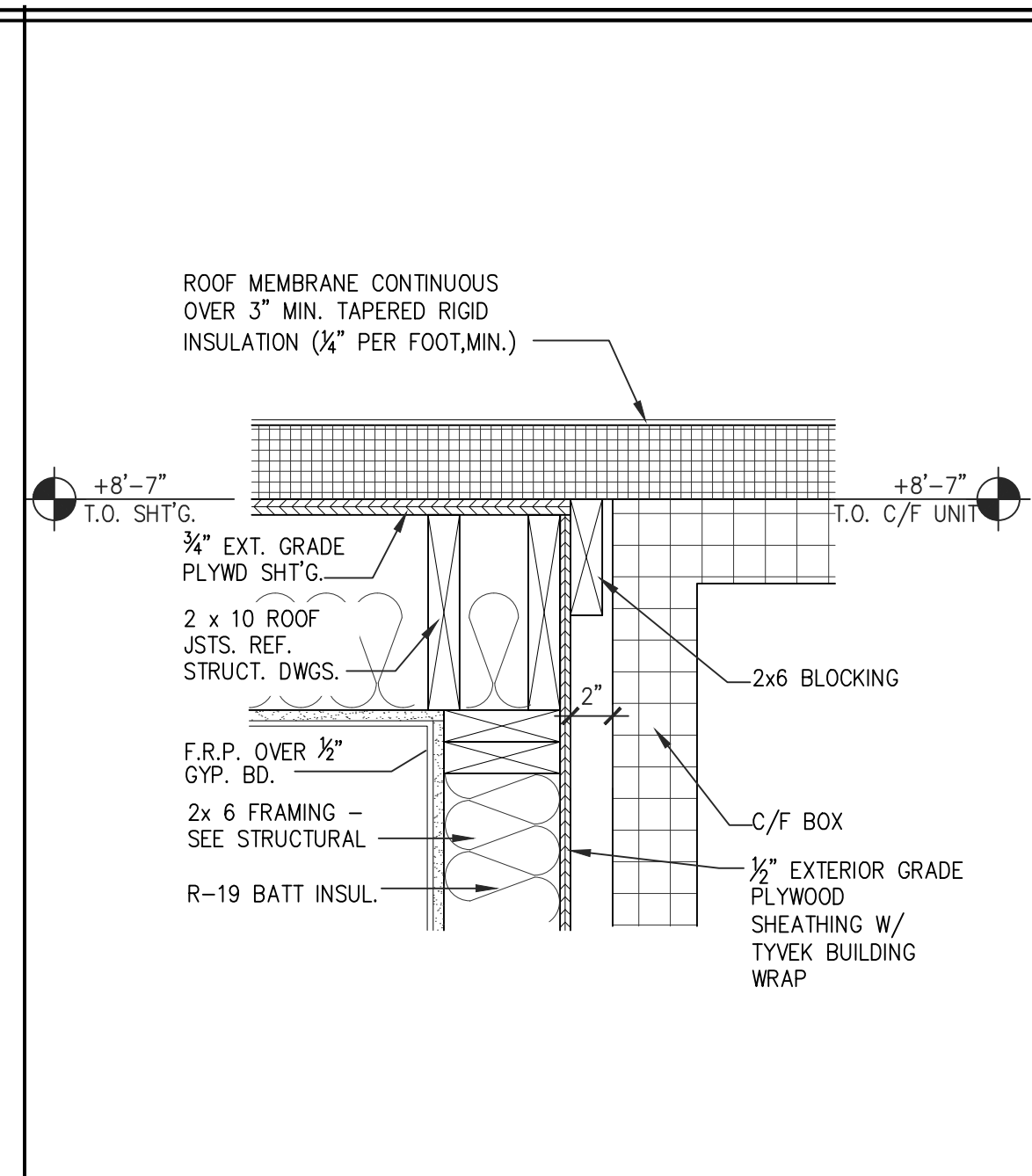
DATE: 01-31-2020

SHEET NUMBER: **A-2.0**

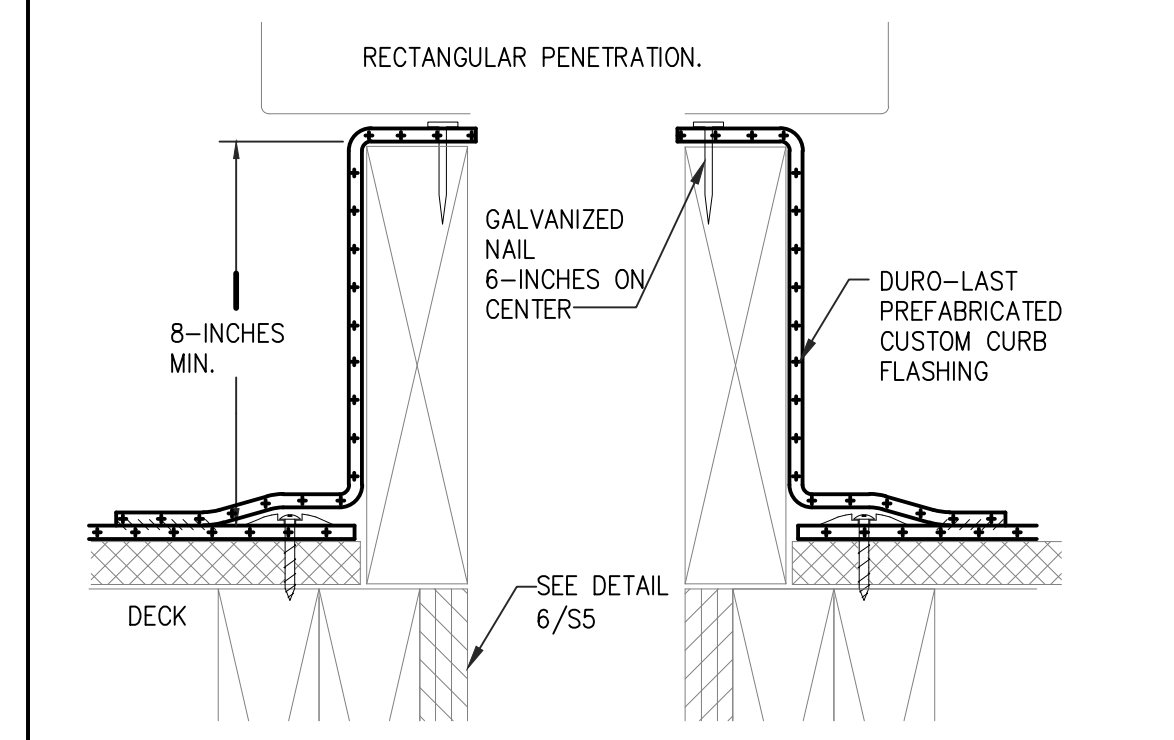
19187_A2_R2.dwg Sep 25, 2020 - 11:09m



NOTE:
REFERENCE SHEET M-2 FOR WIND RESTRAINT HOLD DOWNS INFORMATION.



DETAIL • UTILITY RM-C/F BOX 1/2" = 1'-0" 2



TYP. RECTANG. PENETRATION N.T.S. 3

ROOF PLAN

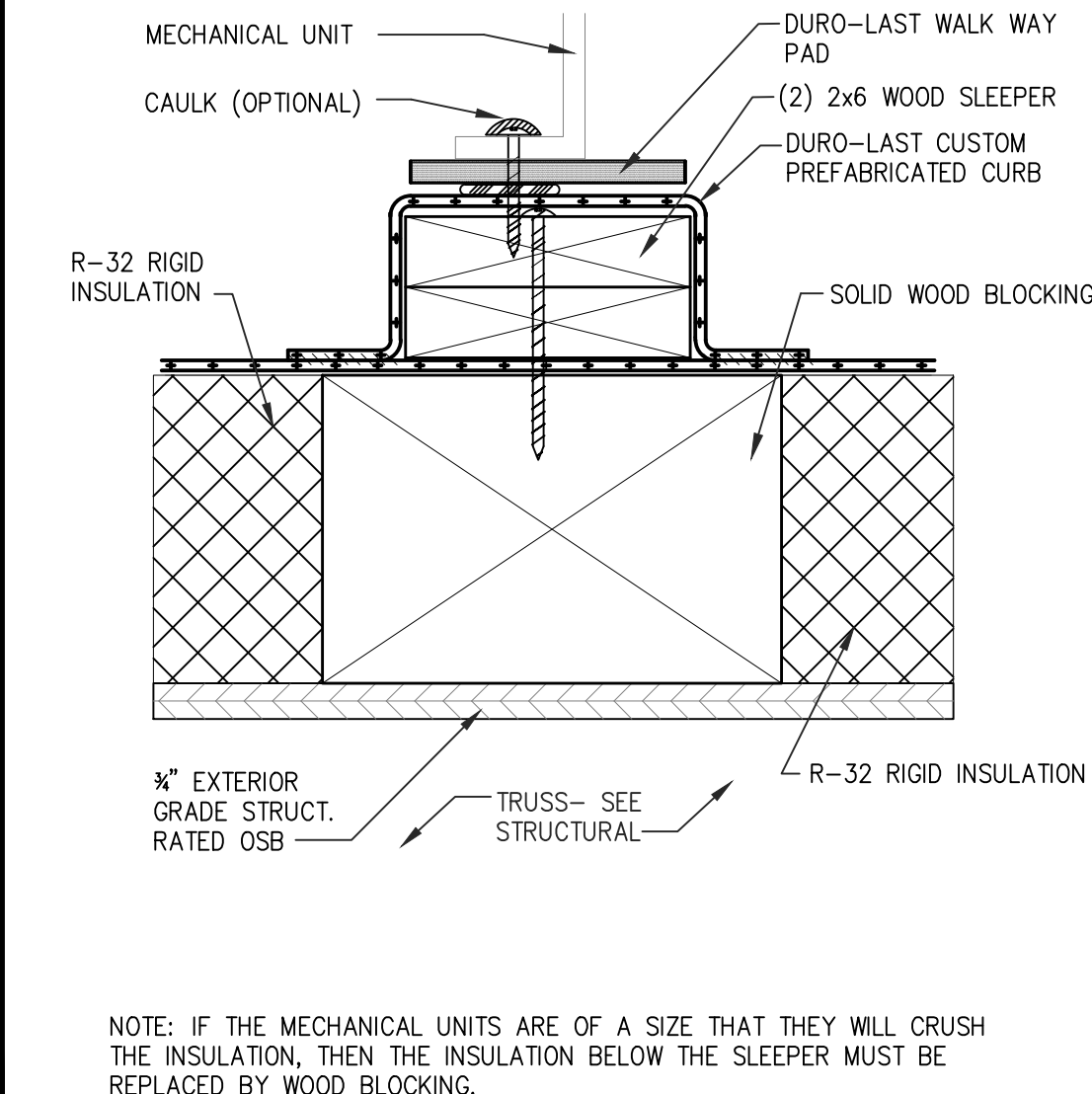
GENERAL NOTES

- THIS PLAN IS DRAWN FOR A TRANE HVAC SYSTEM. COORDINATE ALL ROOF OPENINGS W/HVAC CONTRACTOR. PROVIDE CONTINUOUS SHIMS TO LEVEL.
- MIN. ROOF SLOPE SHALL BE 1/4" PER 1'-0".

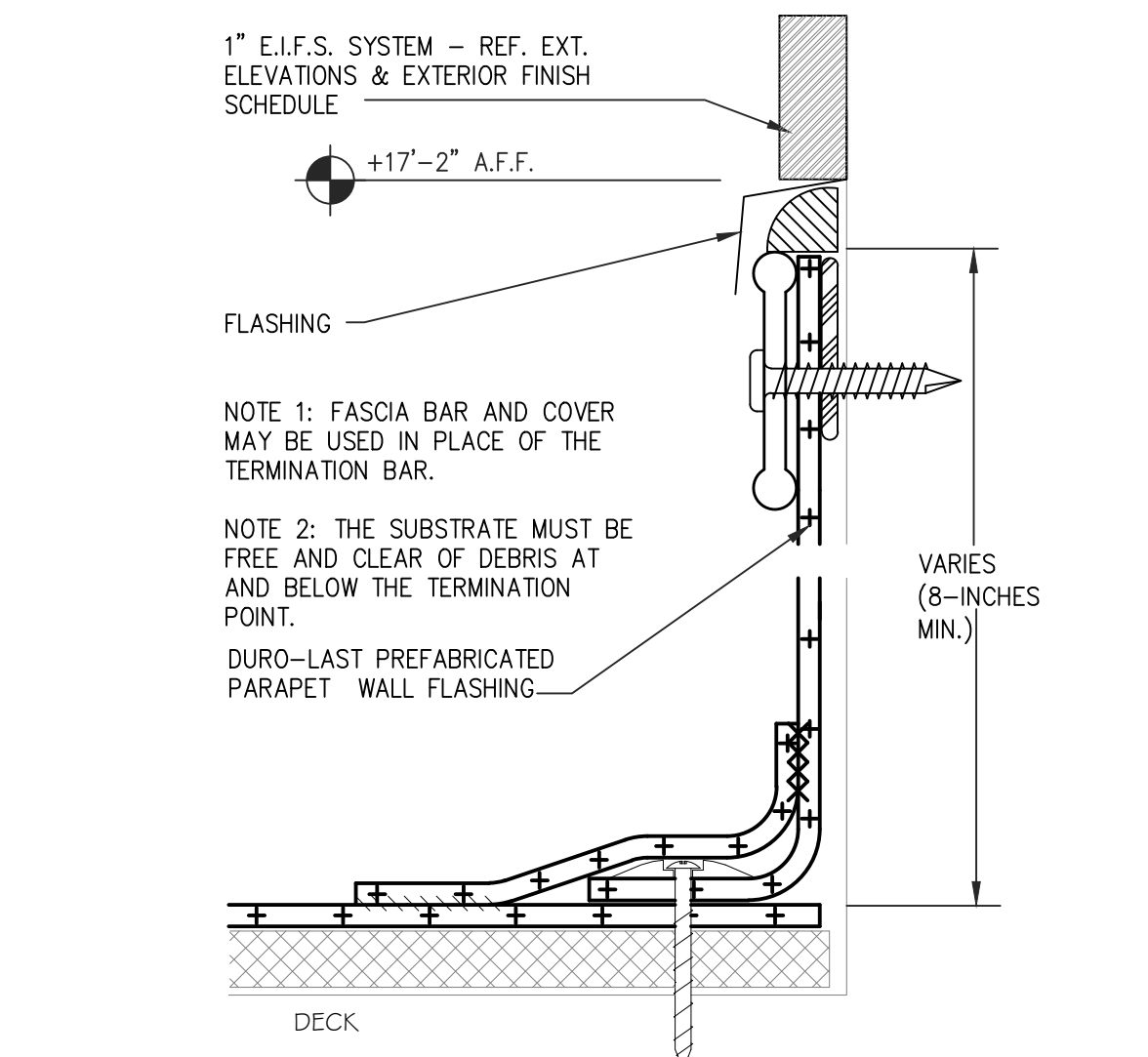
MINIMUM ROOF AND WALL DESIGN LOADS:
A. SEE STRUCTURAL SHEETS FOR ALL LOADING AND WIND SPEED INFORMATION.
B. EQUIPMENT LOADS: FOR ROOF MOUNTED EQUIPMENT NOT SHOWN SEE DWG. M-1.

KEY NOTES

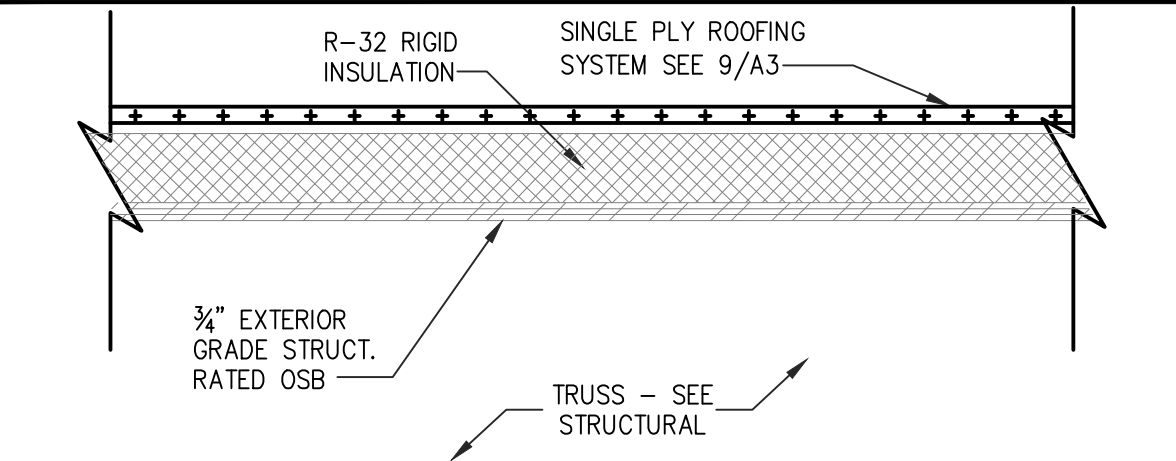
- PROVIDE 2 - 2x8 BLOCKING AROUND ALL ROOF DECK OPENINGS & UNDER ROOF CURBS, ROOF DRAINS, ETC. - SEE STRUCTURAL DRAWINGS.
- CONTRACTOR SHALL COORDINATE FRAME SIZE WITH EQUIPMENT DETAILS
- PROVIDE BLOCKING AT DUCT OPENINGS & BELOW ROOF CURBS, SEE STRUCTURAL DRAWINGS.
- OVEN EXHAUST FAN - SEE MEP DRAWINGS
- PREFINISHED METAL AWNINGS PROVIDED AND INSTALLED BY OWNER - SEE REFLECTED CLG. PLAN, EXTERIOR ELEVATIONS & STRUCTURAL DRAWINGS. SEPARATE PERMIT & APPROVAL BY MANUFACTURER
- 4" DURO-LAST ROOF DRAIN, FURNISHED AND INSTALLED BY ROOF CONTRACTOR. DRAIN PIPE PROVIDED AND INSTALLED BY PLUMBER. REF. PLUMBING DWGS FOR ADDITIONAL INFORMATION.
- CHAIN BROILER EXHAUST FAN - SEE MEP DRAWINGS
- FRYER / GRIDDLE EXHAUST FAN - SEE MEP DRAWINGS
- ICE MACHINE CONDENSER - SEE MEP DRAWINGS
- TOILET EXHAUST FAN - SEE MEP DRAWINGS
- HVAC UNIT - SEE MEP DRAWINGS
- ROOF TOP YARD HYDRANT - SEE MEP DRAWINGS
- NOT USED
- 4" OVERFLOW SCUPPERS, PIPING AND OUTLET PROVIDED AND INSTALLED BY ROOFING CONTRACTOR. BOTTOM INSTALLED 4" MAX. ABOVE ROOF DRAIN INLET ELEVATION. REF. PLUMBING DWGS. FOR ADDITIONAL INFORMATION.
- FREEZER/COOLER CONDENSER UNIT - COORDINATE EXACT LOCATION W/ FREEZER/ COOLER MANUFACTURER - SEE MEP DRAWINGS



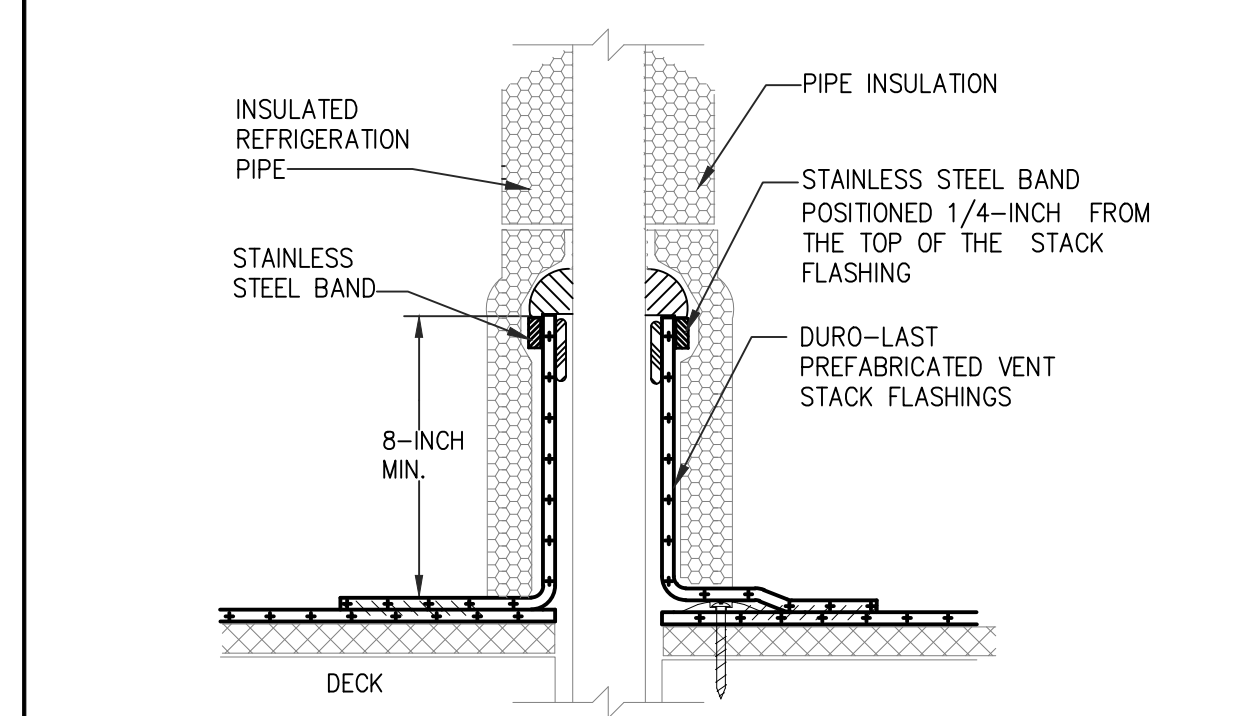
TYP. COMP. RAIL DETAIL N.T.S. 5



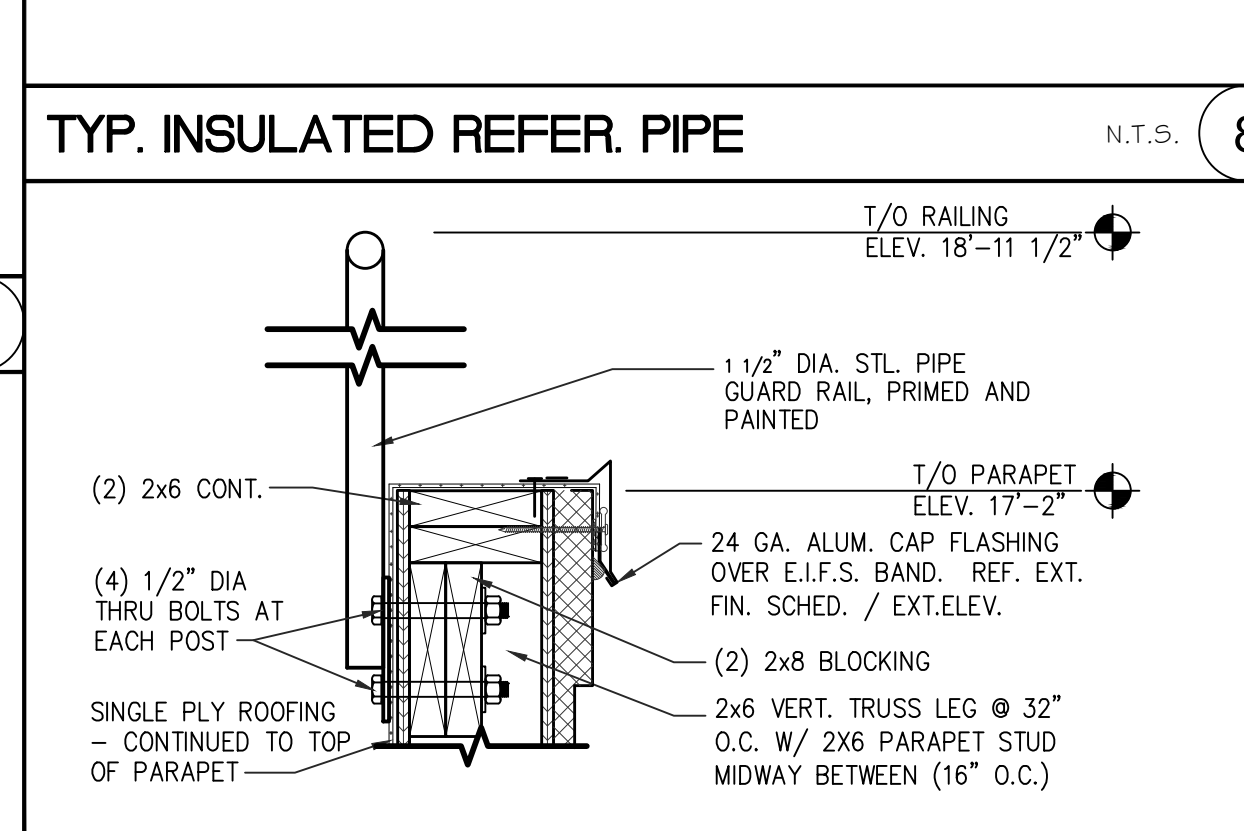
TYP. INSIDE WALL TERMINATION N.T.S. 6



TYP. ROOF CONSTRUCTION N.T.S. 7

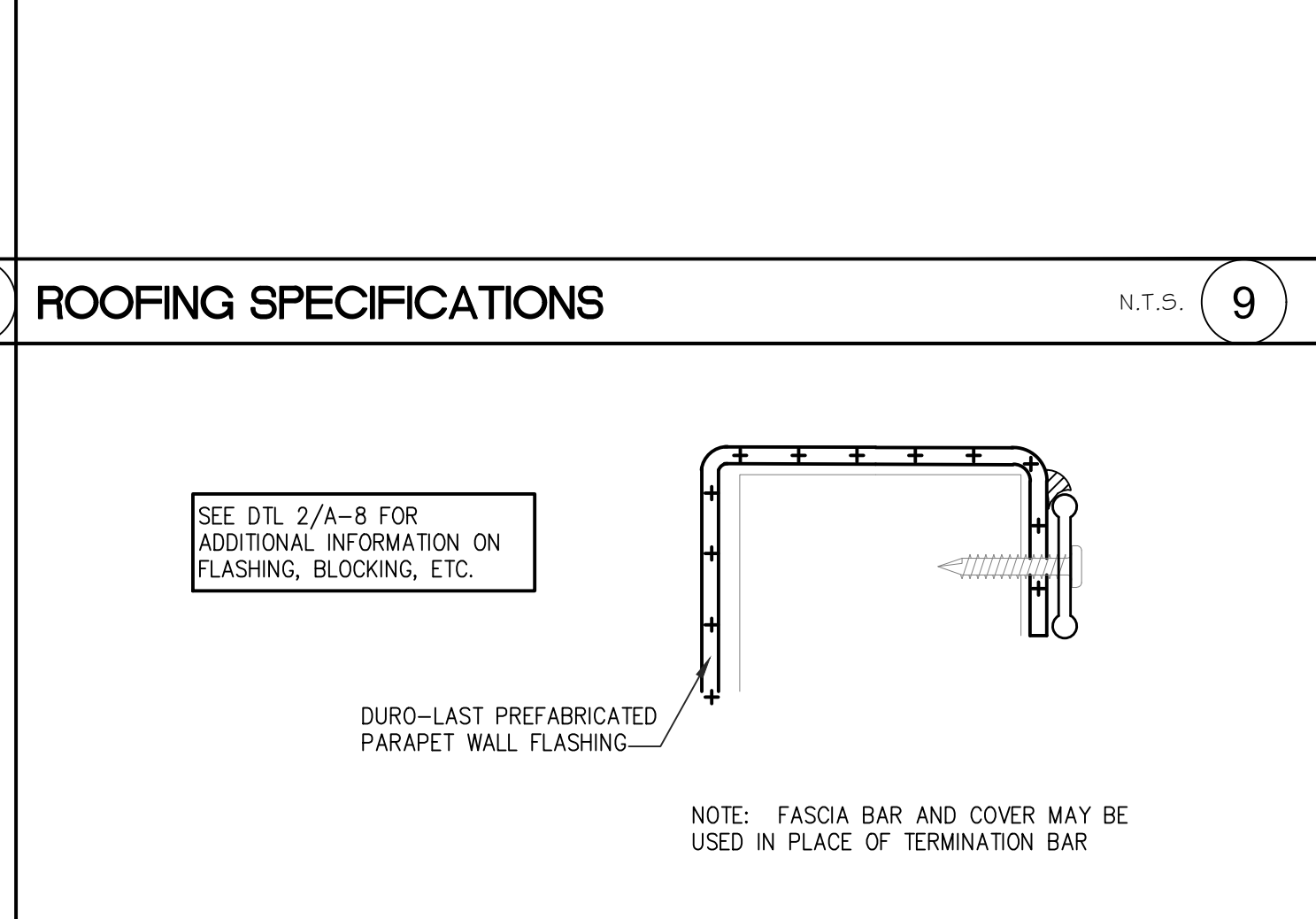


TYP. INSULATED REFER. PIPE N.T.S. 8



GUARDRAIL DETAIL N.T.S. 10

- ROOFING SPECIFICATIONS**
- ROOF MEMBRANE SYSTEM: VINYL CHLORIDE POLYMER-BASED POLYMER BLEND REINFORCED WITH HIGH STRENGTH, 14 X 18 PATTERN, WEFT INSERTED, POLYESTER SCRIM. MEMBRANE SHALL INCLUDE UV STABILIZERS, UV ABSORBERS, PLASTICIZERS, HEAT STABILIZERS, FLAME RETARDANTS, LUBRICANTS, AND BIOCIDES. DURO-LAST SINGLE-PLY 0.040 IN. THICK WHITE ROOF MEMBRANE BY DURO-LAST ROOFING, INC.; 525 MORLEY DRIVE SAGINAW, MI 18601; PHONE 800 248-0280.
 - ROOF INSULATION: URETHANE RIGID BOARD, URETHANE/PERLITE COMPOSITE BOARD, FIBERGLASS BOARD, FOAMGLASS BOARD, PERLITE BOARD OR POLYSTYRENE WITH AN R-32 VALUE, APPROVED FOR CONSTRUCTION OF CLASS A ROOF COVERINGS.
 - WALKWAY PADS: DURO-LAST "ROOF TRAC III" 0.135 IN. THICK; 30"x60" SIZE; COLOR/WHITE; 2 SAFETY YELLOW SKIRTS ALONG 60" SIDES.
 - G.C. SHALL PROVIDE AND INSTALL COMPLETE ROOF SYSTEM w/INSULATION.



TYP. OUTSIDE WALL TERMINATION - OVER PARAPET N.T.S. 11

NRD Project # 19187

NRD national restaurant designers
ARCHITECTS & ENGINEERS

3005 CARRINGTON MILL BLVD. SUITE 150
MORRISVILLE, NORTH CAROLINA 27560
PH: 919-344-7251 FAX: 919-344-9399
A Division of LMR Associates

REGISTERED ARCHITECT
13698
NORTH CAROLINA
MORRISVILLE, NC

Hardee's
CHARACTER QUALITY PRESERVATION

HARDEE'S STANDARD PROTOTYPE
NC HWY 87 & BUFFALO RD.
CAMERON, NC 28520

BODDE-NOELL ENTERPRISES, INC.
P.O. BOX 1908
ROCKY MOUNT, NC
27802-1908
(252) 687-2800

OWNER
BE

NO.	DATE	DESCRIPTION
1	3/13/20	
2	3/24/20	

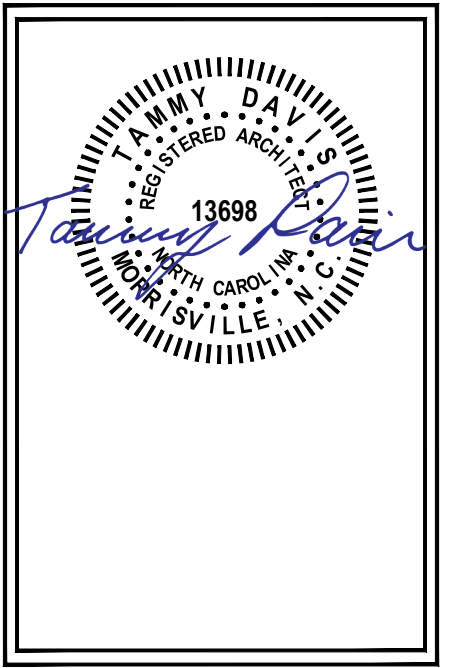
REVISIONS

NO. 1
CITY COMMENTS
BONE IN. CRICKEN

DRAWN BY: _____ CHECKED BY: _____

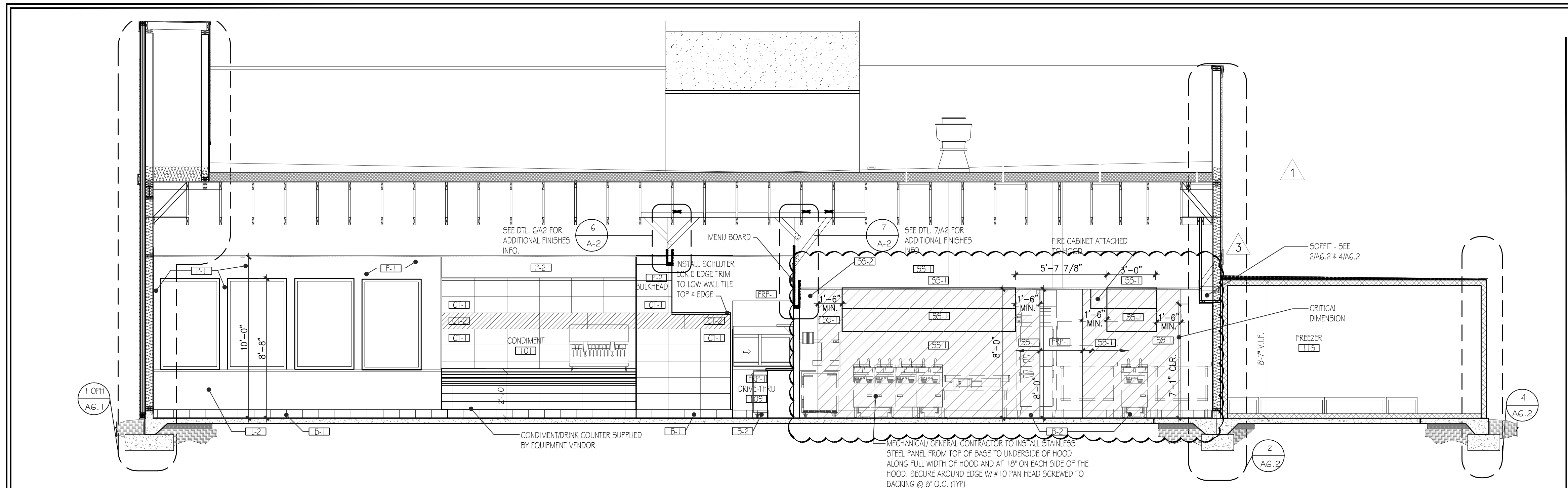
DATE: 01-31-2020

SHEET NUMBER:
A-3.0



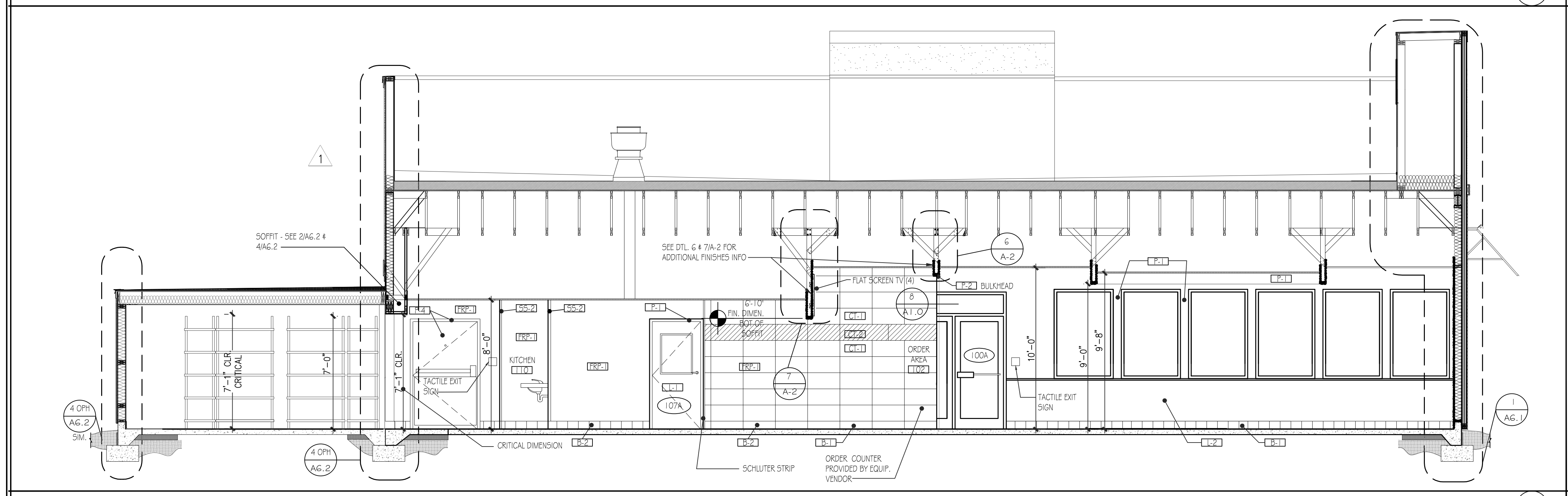
BODDE-NOELL
ENTERPRISES, INC.
P.O. BOX 1908
ROCKY MOUNT, N.C.
27802-1908
(252) 967-2800

OWNER
BN



INTERIOR ELEVATION / BLDG. SECTION

SCALE: 1/4" = 1'-0" 1



INTERIOR ELEVATION / BLDG. SECTION

SCALE: 1/4" = 1'-0" 2

1. GENERAL NOTES:
2. REFER TO SHEET A1.1 FOR INTERIOR FINISHES & LOCATION MARKERS.
REFER TO SHEET QF100 FOR EQUIPMENT INFORMATION.

NO.	DESCRIPTION	DATE
1	CITY COMMENTS	3/13/20
3	BONE IN CHICKEN	9/24/20

DRAWN BY: _____ CHECKED BY: _____

INTERIOR ELEVATIONS / SECTIONS

DATE: 01-31-2020

SHEET NUMBER:

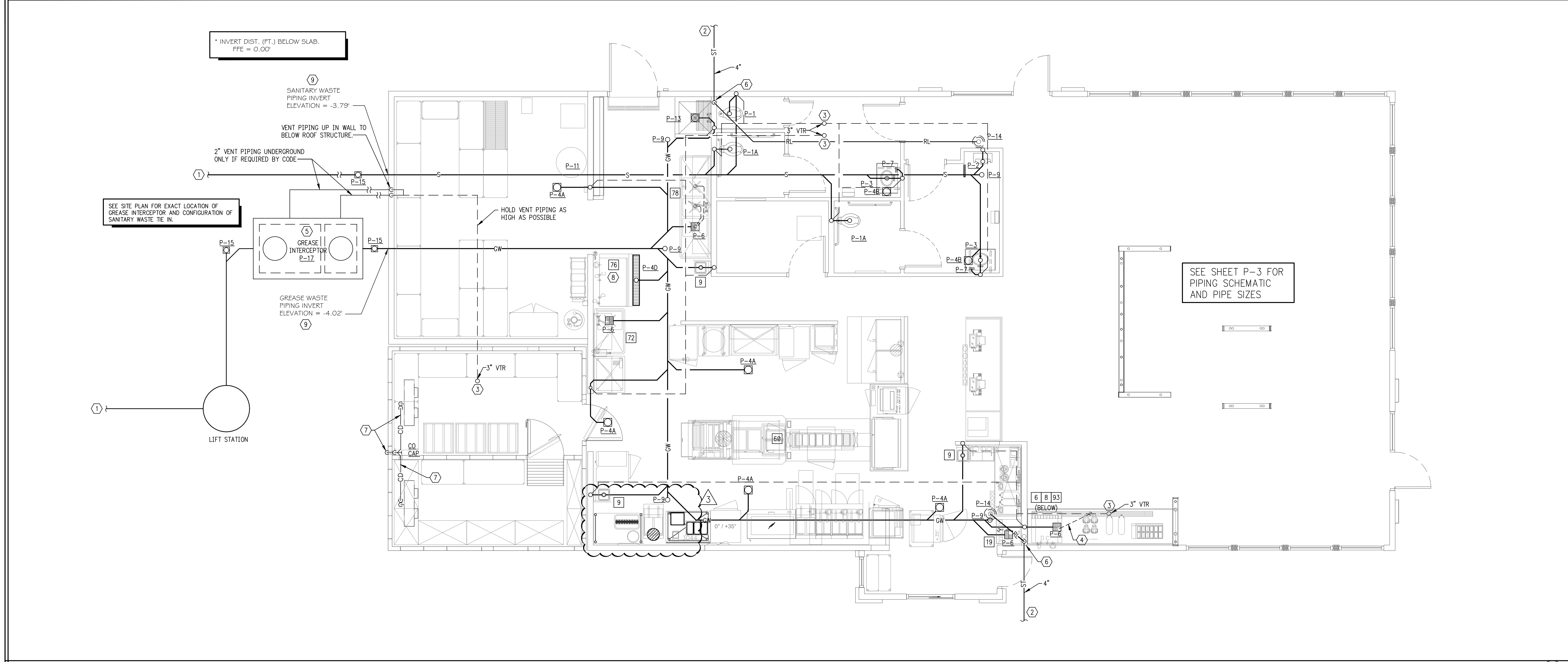
A-5.1

NO.	REVISIONS	DATE
1	DATE	9/24/20
2	DESCRIPTION	
3	BY	BONE IN CHICKEN
4	CHECKED BY	

PLUMBING WASTE AND VENT PLAN

DATE: 01-31-2020

SHEET NUMBER:
P1



SOIL, WASTE AND VENT PLUMBING PLAN

SCALE: 1/4" = 1'-0" 1

FIXTURE DFU VALUES

MARK	DESCRIPTION	WASTE	DFU	QTY	SUBTOTAL
P-1	WATER CLOSET - FLUSH VALVE	3"	4	1	4
P-1A	WATER CLOSET - FLUSH VALVE	3"	4	2	8
P-2	URINAL - FLUSH VALVE	2"	4	1	4
P-3	LAVATORY - TOILET AREAS	1 1/2"	1	2	2
P-4A	FLOOR DRAIN - KITCHEN AREAS	3"	2	3	6
P-4B	FLOOR DRAIN - STORAGE AREA	3"	2	1	2
P-4B	FLOOR DRAIN - RESTROOMS	3"	2	2	4
P-4D	TRENCH DRAIN	4"	2	1	2
P-6	FLOOR SINK	3"	5	4	20
P-13	UTILITY SINK	3"	5	1	5
9	HAND WASH - KITCHEN AREAS	2"	1	3	3
TOTAL					60+

* TOTAL MAY VARY AS REQUIRED PER CODE. VERIFY DFU VALUES.

IF ANY DISCREPANCIES ARE FOUND ON THE PLANS, THE PLUMBING CONTRACTOR SHALL BID THE MORE CONSERVATIVE SPECIFICATION AND CALL ENGINEER FOR CLARIFICATION.

WHILE EVERY ATTEMPT HAS BEEN MADE IN THE PREPARATION OF THIS PLAN TO AVOID MISTAKES, THE DESIGNER AND COMPANY CANNOT GUARANTEE AGAINST ERROR OR UNFORESEEN FIELD CONDITIONS. THE CONTRACTOR OR BUILDER MUST CHECK ALL DIMENSIONS, DETAILS AND REPORT ANY DISCREPANCIES.

PLUMBING LEGEND
 NOTE: NOT ALL SYMBOLS MAY APPEAR ON THESE DRAWINGS

FW	FILTERED WATER PIPING (FW)
CW	COLD WATER HARD PIPING (CW)
CW	FLEXIBLE COLD WATER PIPING (CW)
T	TEMPERED WATER PIPING (T)
T	FLEXIBLE TEMPERED WATER PIPING (T)
HW	HOT WATER PIPING (HW)
HW	FLEXIBLE HOT WATER PIPING (HW)
S	WASTE/SANITARY PIPING (SAN)
GW	GREASE PIPING (GW)
VTR	VENT PIPING
CD	CONDENSATE PIPING (CD)
IWP	INDIRECT WASTE PIPING (IW)
CG	CLEAN-OUT FINISH GRADE
CF	CLEAN-OUT FINISH FLOOR
W	WALL CLEANOUT
VTR	VENT THRU ROOF (VTR)
FD	FLOOR DRAIN (FD)
RD	ROOF DRAIN (RD)
FS	FLOOR SINK (FS)
SV	BALL SHUTOFF VALVE
DFU	DRAINAGE FIXTURE UNIT
A.F.G.	ABOVE FINISH GRADE
V	VACUUM BREAKER
RL	ROOF LEADER
ST	STORM PIPING

PLUMBING FIXTURE SCHEDULE
 NOT ALL FIXTURES MAY BE USED.

P-1 WATER CLOSET:	AMERICAN STANDARD NO. 2385-100 "MADERA", UNIVERSAL HEIGHT, OR KOHLER #K-4350 "WELLCOMME", WHITE VITREOUS CHINA; WITH OLSONITE #95 ELONGATED, WHITE, OPEN FRONT, NO COVER SEAT, 3240 STAINLESS HINGE WITH CHECK; 481310-100 BOLT CAPS; SLOAN ROYAL #111 FLUSH VALVE
P-1A WATER CLOSET: (HANDICAPPED)	AMERICAN STANDARD NO. 2385-100 "MADERA", UNIVERSAL HEIGHT OR KOHLER #K-4368 "HIGHCLIFF", WHITE VITREOUS CHINA; WITH OLSONITE #95 ELONGATED, WHITE, OPEN FRONT, NO COVER SEAT, WITH SELF SUSTAINING HINGE; 481310-100 BOLT CAPS; SLOAN ROYAL #111 FLUSH VALVE.
P-2 URINAL:	AMERICAN STANDARD NO. 6590-503 "WASHBROOK", ULTRA HIGH EFFICIENCY @125 GPF, WALL HUNG, WHITE VITREOUS CHINA, ELONGATED RIM, WASHOUT FLUSHING ACTION, (2) WALL HANGERS INCLUDED, NO. 6590-001 UNIVERSAL TOP SPUD, #186-1 FLUSH VALVE.
P-3 LAVATORY:	COUNTERTOP/LAVATORY BASIN, PROVIDED BY OWNER. FAUCET: DELTA MODEL 500-DST. SINGLE HANDLE FAUCET, POLISHED CHROME FINISH, FLOW CONTROL AERATOR, 4" CENTERS, GRID DRAIN 1-1/2" CAST BRASS "P" TRAP. SUPPLY AND INSTALL PLUMEX #3011 WHITE-DRAIN INSULATOR.
P-4A FLOOR DRAIN:	PLASTIC ODDITIES MODEL PH0844, 3" SIZE, HEAVY DUTY PVC BODY, SP-8PB POLISHED BRONZE STRAINER. MOUNT FLUSH WITH FINISHED FLOOR
P-4B FLOOR DRAIN:	PLASTIC ODDITIES MODEL PH0844, 3" SIZE, HEAVY DUTY PVC BODY, SP-8PB POLISHED BRONZE STRAINER. TRAP PRIMER CONNECTION. MOUNT FLUSH WITH FINISHED FLOOR
P-4C DUMPSTER DRAIN:	SMITH 2220-H AS INDICATED AT TRASH ENCLOSURE ONLY. MOUNT FLUSH WITH FINISHED
P-4D TRENCH DRAIN:	SMITH ACO MODEL 9814, PRECAST POLYMER CONCRETE, ONE #9814-100-9 CHANNEL AQND ONE #9814-100-010 UNIT. CLOSED END CAPS, 4" BOTTOM POTILE, OUTLET STRAINER COVER WITH THREE, 1/2 METER #9870-450-SS, SLOTTED STAINLESS STEEL GRATES.
P-5 TEMPERING VALVE:	SUPPLIED WITH REMOVABLE PISTON AND THERMAL MOTOR, SEPARATE CHECK STOPS, ROUGH BRONZE FINISH INSTALL IN SUPPLY PIPING WHERE INDICATED. SET TEMPERATURE AS INDICATED IN SCHEMATIC. SEE MIXING VALVE PIPING SCHEMATIC, DETAIL 3, SHEET P2 FOR MORE INFORMATION.
P-6 FLOOR SINK:	PLASTIC ODDITIES MODEL PBH300H, 3" SIZE, 14" SQ. TOP FLOOR SINK W/ 1/2, 3/4 OR FULL GRATE AS INDICATED. PROVIDE WITH ALUMINUM BEEHIVE STRAINER.
P-7 WALL CLEANOUT:	PLASTIC ODDITIES MODEL SSA300, 3" SIZE, STAINLESS STEEL ACCESS WALL COVER.
P-8 ROOFTOP POST HYDRANT:	WOODFORD MODEL RHY2, FREEZELESS. 1" CW CONN. PIPE DRAIN OUTLET TO NEAREST FLOOR SINK. INSTALL PER MANUFACTURER'S RECOMMENDATIONS.
P-9 CLEANOUT:	PLASTIC ODDITIES MODEL PC0700, 4" SIZE WITH 6" SCORRIATED BRASS COVER.
P-10 YARD HYDRANT:	WOODFORD MODEL Y95, FREEZELESS. 3/4" CW CONN. W/ANTI-SIPHON VACUUM BREAKER, TEE KEY. BURY DEPTH AS REQUIRED. INSTALL PER MANUFACTURER'S RECOMMENDATIONS.
P-11 WATER HEATER:	STATE MODEL CSB-82-24 IFE COMMERCIAL WATER HEATER, 24 KW, 98 GPH RECOVERY @ 100°F RISE, 80 GALLON STORAGE, 59.5" TALL, 25.5" DIA, 31" TOTAL DEPTH WITH CONTROLS. MEETS OR EXCEEDS AND/OR STANDBY LOSS REQUIREMENTS OF THE U.S. DEPT. OF ENERGY AND CURRENT ASHRAE/ESNA 90.1.
P-12	NOT USED.
P-13 UTILITY SINK:	FIAT TERRAZZO 6" MOP SERVICE BASIN MODEL SDC3636. STAINLESS STEEL STRAINER MODEL #1453BB FAUCET: T & S BRASS FAUCET B-0655-BSTR, VACUUM BREAKER IN SPOUT, SCREWDRIIVER STOPS IN SHANKS, ROUGH CHROME FINISH. NOTE: VERIFY ACTUAL SPECIFICATION WITH OWNER PRIOR TO ORDERING.
P-14 ROOF DRAIN:	SMITH FIG. 1010-E WITH CAST IRON BODY AND POLYETHYLENE DOME.
P-15 EXT. CLEANOUT:	PLASTIC ODDITIES MODEL PCA48P, 4" SIZE WITH RECESSED HEAD BRASS PLUG INSTALLED IN AN END-OF-LINE HUB EXTERIOR CLEANOUTS SHALL BE PROVIDED WITH BROOKS NO. 3-RT OPEN BOTTOM CONCRETE BOX WITH STEEL FRAME AND TRAFFIC COVER WITH THE WORD "SEWER" CAST IN COVER.
P-16 OPEN RECEPTACLE:	JAY R. SMITH 2646 STRAIGHT SPIGOT ADAPTOR WITH TOP AT 4" AFF OR AS REQUIRED BY CODE. SUBSTITUTE OPEN RECEPTACLE FOR FLOOR SINK WHERE PERMITTED BY CODE.
P-17 GREASE INTERCEPTOR:	1500 GALLON CAPACITY, PRECAST CONCRETE GREASE INTERCEPTOR PURCHASED FROM LOCAL PRECAST SUPPLIER. INSTALL PER CODE. PROVIDE VENTING FROM INTERCEPTOR COMPARTMENTS THRU ROOF IF REQUIRED BY CODE. TRAFFIC RATED (IF IN PARKING LOT). ALTERNATE VENTING METHODS AND/OR SAMPLING WELL MAY BE REQUIRED. VERIFY.

SHEET NOTES

- SITE UTILITY CONTRACTOR SHALL INSTALL ALL SANITARY PIPING FROM EXTERIOR OF BUILDING TO SANITARY MAIN. PLUMBING CONTRACTOR SHALL COORDINATE WITH SITE UTILITY CONTRACTOR AS REQUIRED.
- SEE SITE UTILITY DRAWINGS FOR CONTINUATION.
- EXTEND SANITARY VENT THROUGH THE ROOF PER CODE. FIELD VERIFY EXACT LOCATION PRIOR TO ROOF PENETRATION. MAINTAIN A MINIMUM OF 10'-0" FROM VTR TO ANY OUTSIDE AIR OR FRESH AIR INTAKE.
- 1/2" PVC (IF PERMITTED BY CODE) INDIRECT WASTE HEADER PIPING AT REAR OF CABINET WITH 3/4" PVC DRAIN PIPING FROM INDIVIDUAL DRINK/ICE DISPENSERS AND DRAIN TROUGHS. MOUNT AT REAR OF CABINET, 12" (MIN.) ABOVE CABINET FLOOR. INSTALL 1/2" INSULATION AROUND DRAIN PIPING FROM ICE/COLD BEVERAGE DISPENSERS AND DRAIN TROUGHS. INSTALL PIPING WITH POSITIVE SLOPE TO DRAIN. MAINTAIN CODE APPROVED AIR GAP ABOVE DRAIN.
- SEE SITE UTILITY DRAWINGS FOR EXACT LOCATION OF GREASE INTERCEPTOR.
- 4" ROOF LEADER DOWN IN WALL FROM ABOVE CEILING. INSULATE ALL HORIZONTAL ROOF LEADER PIPING TO PREVENT CONDENSATION FROM FORMING ON PIPING. SEE SHEET P4.
- 1" TRAPPED COPPER PIPING FROM COOLER/FREEZER CONDENSING COILS. PROVIDE AND INSTALL HEAT TRACE TAPE (10 W/LIN. FT.) ON PIPING WITHIN FREEZER. SLEEVE AND SEAL THRU COOLER/FREEZER WALL AT 12" ABOVE FINISHED GRADE OVER SPLASH BLOCK. TURN DOWN TO 6" (MIN.) ABOVE GRADE. PROVIDE INSECT/VERMIN SCREEN AT OPEN END OF PIPE.
- P.C. SHALL ROUTE ICE MACHINE DRAINS, SECURE ALONG WALL, AND DRAIN INDIRECTLY OVER FLOOR SINK, UNDERNEATH PREP SINK, WITH AIR GAP TWICE THE DIAMETER OF THE DRAIN PIPE (2" MIN.). ALL PIPING MUST MAINTAIN 1/8" IN PER FOOT SLOPE.
- P.C. SHALL VERIFY THE SANITARY AND GREASE INVERTS BEFORE THE START OF ANY WORK.

CONSTRUCTION NOTES

- PURPLE PRIMER MUST BE USED ON ALL PVC PIPING JOINTS.

GREASE INTERCEPTOR CALCULATION

GREASE INTERCEPTOR SIZING PROCEDURE FOR KITCHEN FIXTURES					
FIXTURE TYPE	QUANTITY	PIPE DIAMETER	GPM/FIXTURE	FIXTURE RATING	GPM
Pot sink	1	2	33	1.00	33
Meat & Vegetable prep sink	1	1 1/2	15	0.10	1.5
Pre-rinse sink					0
Wok					0
Other					4
Dishwasher					0
Can wash / Mop sink					7
Total					45.5
Grease Interceptor Size = flow rate x 30 minutes =					1365

Sizing Procedure for Food Service Establishments (FSE's)
Minimum of 1,000 Gallons

Volume of Grease Interceptor (gallons) = [(A x B) + C + D] x F

A. GPM/fixture | These values are derived from the Manning Formula. The Manning Formula takes into pipe, and pipe diameter size. Listed below are the drainage rates of various pipe diameters using the Manning Formula.

- 0.5 inch pipe diameter = 0.8 GPM/fixture
- 1.5 inch pipe diameter = 15 GPM/fixture
- 2.0 inch pipe diameter = 33 GPM/fixture
- 2.5 inch pipe diameter = 59 GPM/fixture
- 3.0 inch pipe diameter = 93 GPM/fixture

B. Fixture Ratings of Greasy Waste Streams | Fixtures that have more grease in their waste stream receive higher values while less grease corresponds to a lower rating. The table is shown below.

Table of Common Commercial Kitchen Fixtures and their Corresponding Rating:

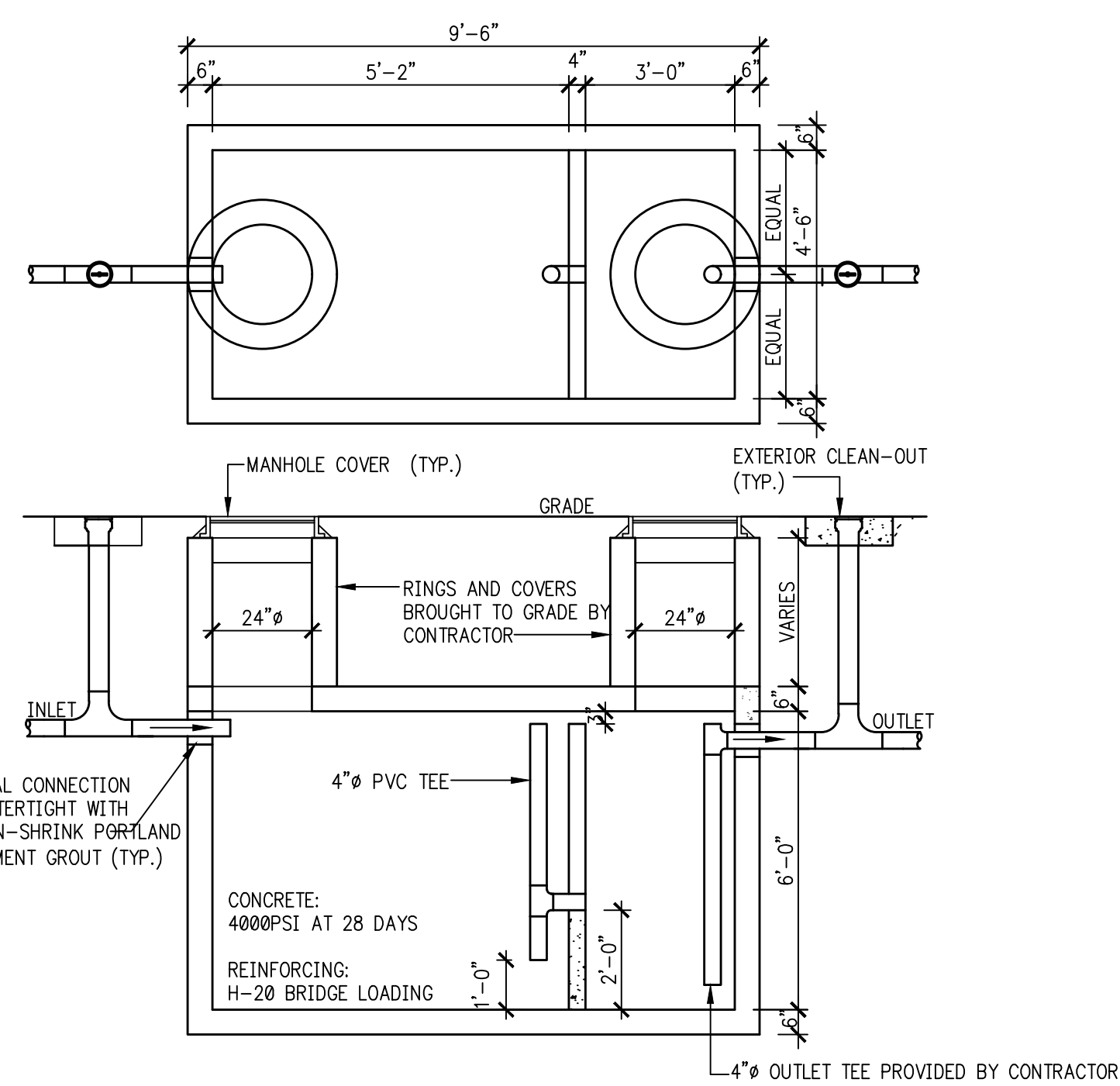
- Pot sink = 1.0
- eat and vegetable prep sink = 0.10
- Pre-rinse sink = 0.75
- Wok = 1.0
- Tilt kettle = 0.00
- Floor drain = 0.00

C. Direct Flow from Dishwashers, Sanitizers, Garbage Disposal, Food Waste Grinders or Glass Washers | These flows must be added directly to the GPM flow. The manufacturer's peak discharge rate for flow in GPM must be used.

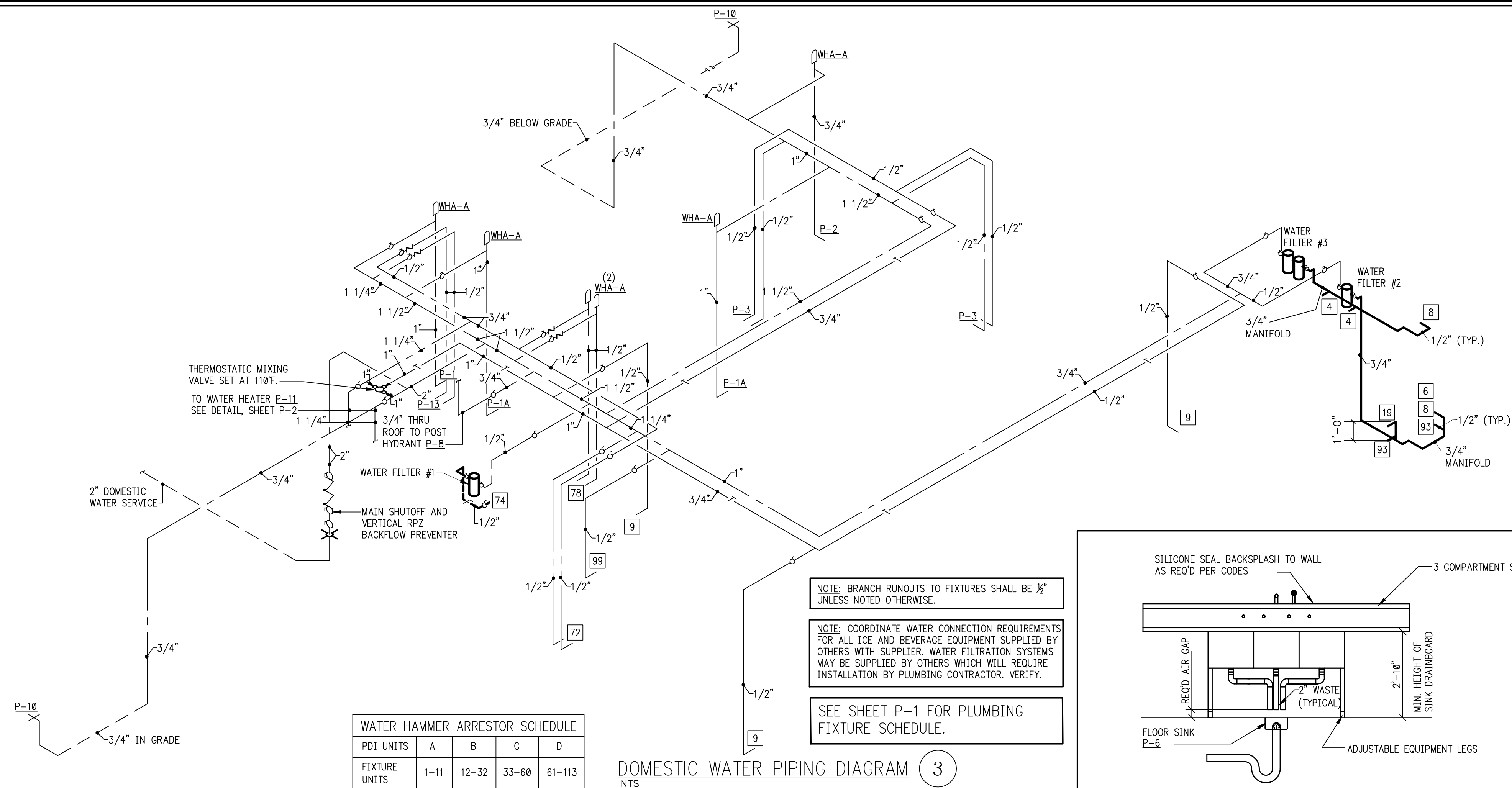
D. Flow From Can Washes or Mop Sinks
Can washes and mop sinks are typically used intermittently. For the purpose of sizing, 7 GPM will be used for can washes and mop sinks.

NOTES

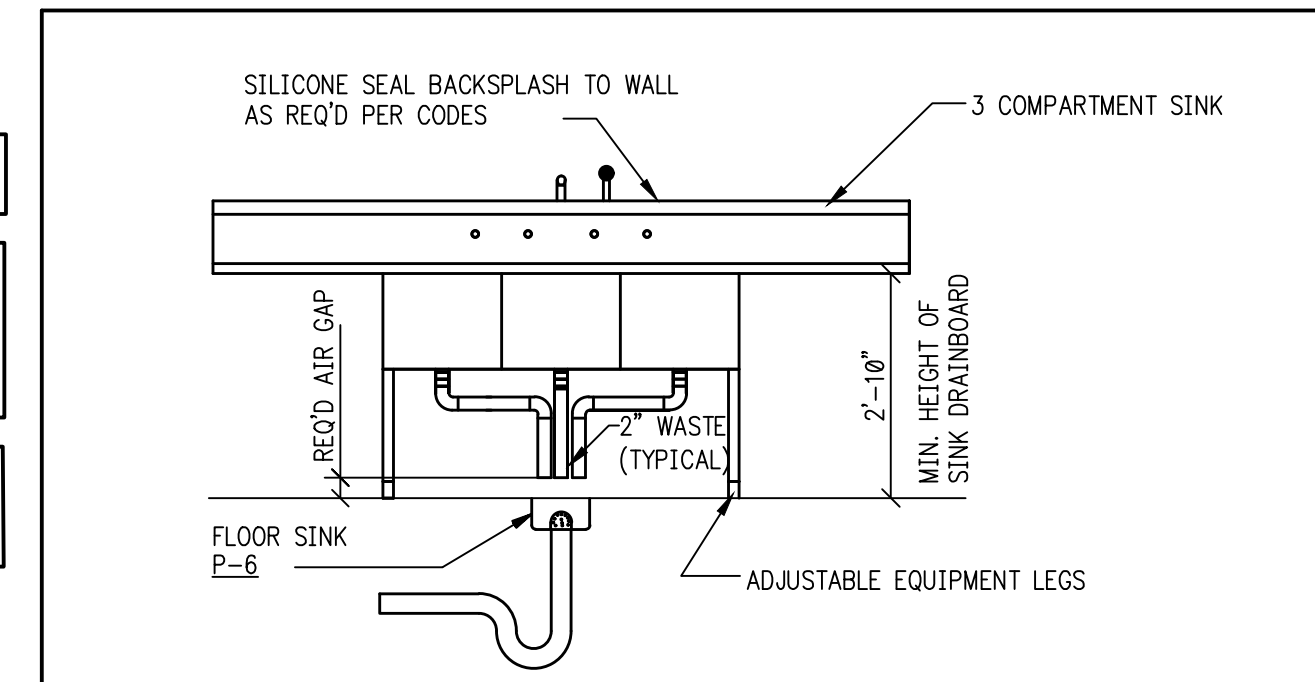
- GREASE TRAP SHALL BE ENGINEER DESIGNED BY MANUFACTURER TO RESIST ALL LOADS.
- IF PRE-FAB SEPTIC TANK IS USED, THEN TANK SHALL BE MODIFIED TO MEET ALL DETAILS & OPENINGS & NOTES.
- SHOP DRAWINGS SHALL SHOW EXACT DIMENSIONS, WALL THICKNESSES, CONC. STRENGTH, ETC.
- GREASE TRAP INSIDE DIMENSIONS ARE APPROXIMATE & ANY CHANGES IN LENGTH x WIDTH x DEPTH SHALL BE ADJUSTED IN PROPORTIONS SHOWN.
- G.C. SHALL BE RESPONSIBLE TO VERIFY CAPACITY REQMT'S. WITH ALL CODE OFFICIALS PRIOR TO BIDDING AND INCLUDE PROPER SIZE IN BID.



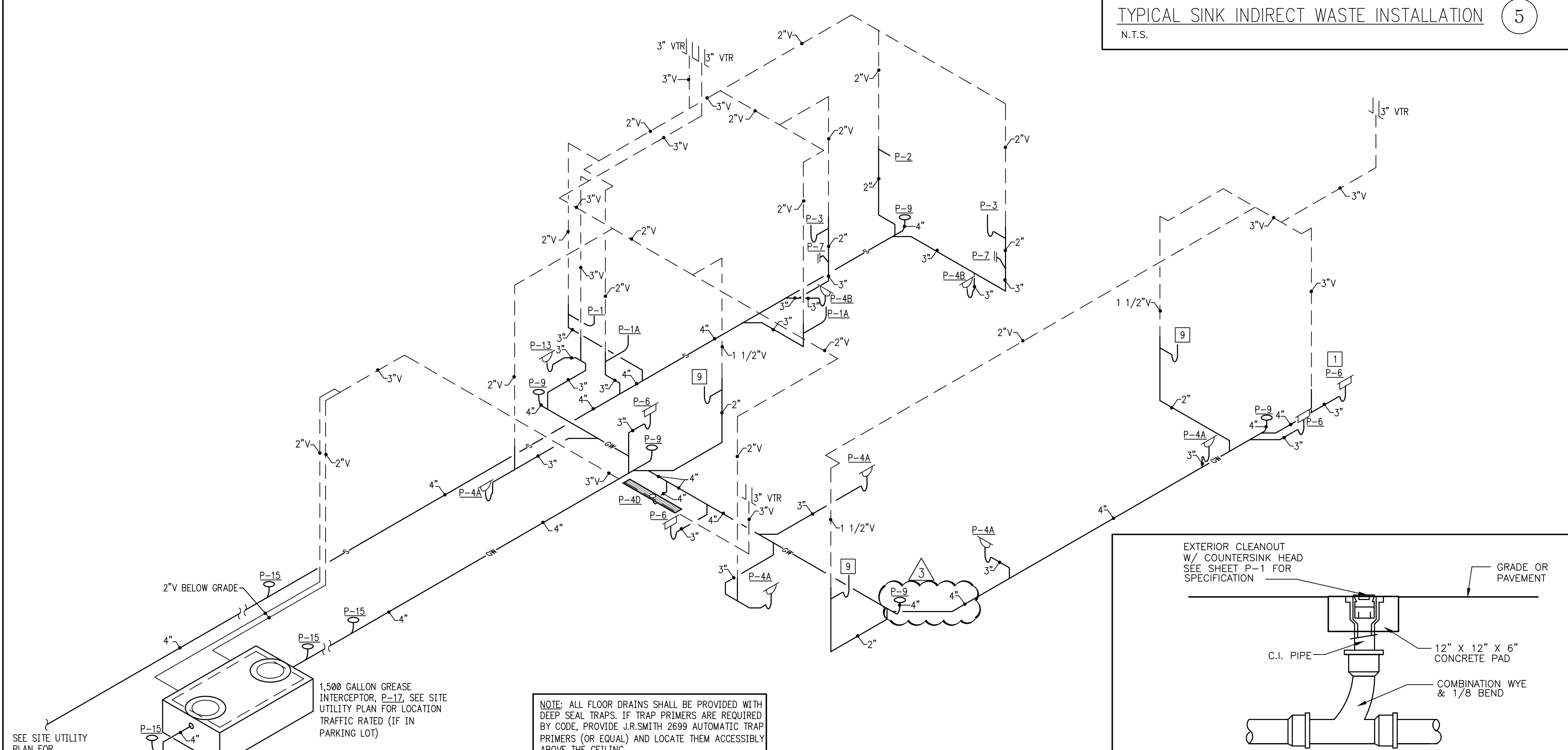
1500 GALLON GREASE INTERCEPTOR DETAIL
NO SCALE
TRAFFIC RATED (IF IN PARKING LOT)



DOMESTIC WATER PIPING DIAGRAM (3)
NTS

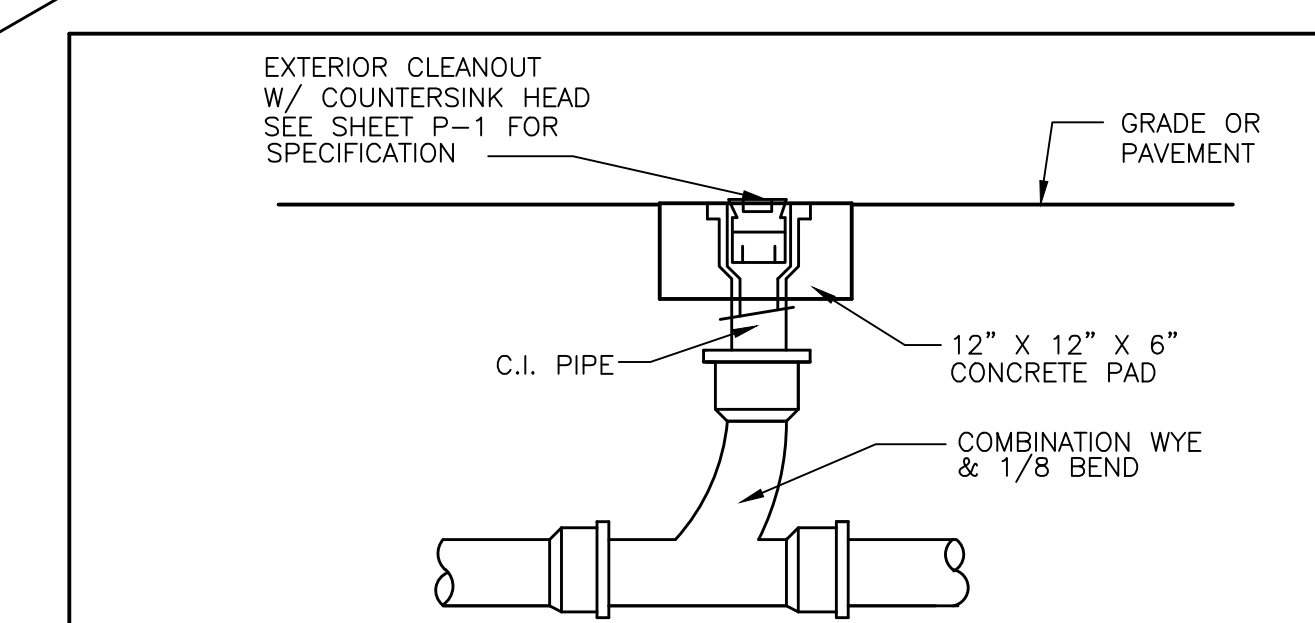


TYPICAL SINK INDIRECT WASTE INSTALLATION (5)
N.T.S.



NOTE: ALL FLOOR DRAINS SHALL BE PROVIDED WITH DEEP SEAL TRAPS. IF TRAP PRIMERS ARE REQUIRED BY CODE, PROVIDE J.R. SMITH 2699 AUTOMATIC TRAP PRIMERS (OR EQUAL) AND LOCATE THEM ACCESSIBLY ABOVE THE CEILING.

SOIL, WASTE & VENT PIPING DIAGRAM (2)
NTS



CLEANOUT TO FINISHED GRADE (4)
N.T.S.

NRD national restaurant designers
ARCHITECTS & ENGINEERS
3005 CARRINGTON MILL BLVD., SUITE 150
MORRISVILLE, NORTH CAROLINA, 27560
PH: 919-344-7251 FAX: 919-344-9399
A Division of LMHT Associates

LMHT ENGINEER LICENSE
NUMBER - C-1869

Hardiee
CHARACTER QUALITY PRODUCTS
HARDEE'S STANDARD PROTOTYPE
NC HWY 87 & BUFFALO RD.
CAMERON, NC 28520

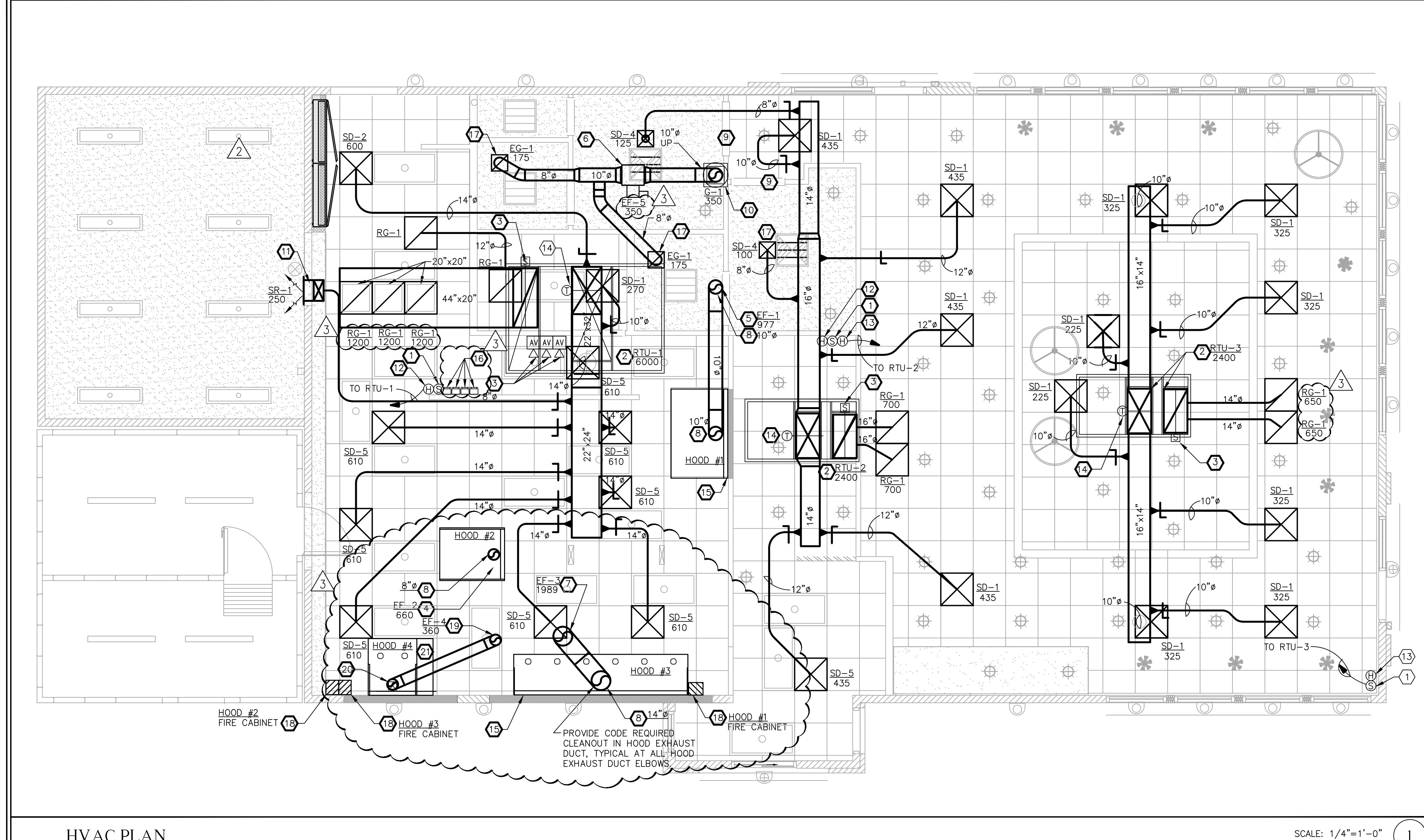
OWNER: **BW**
BODDE-NOELL ENTERPRISES, INC.
P.O. BOX 1908
ROCKY MOUNT, NC
27802-1908
(252) 967-2800

NO.	REVISIONS	DATE
1	DATE	9/24/20
2	DESCRIPTION	
3		
4		
5		

PLUMBING ISOMETRICS AND DETAILS

DATE: 01-31-2020

SHEET NUMBER:
P3



HVAC PLAN

SCALE: 1/4"=1'-0"

- KEYED NOTES**
- CONTRACTOR SHALL INSTALL OWNER PROVIDED REMOTE SENSOR AT 5 FT. ABOVE FINISHED FLOOR AS SHOWN ON PLAN. COORDINATE EXACT LOCATIONS WITH INTERIOR ELEVATIONS. SENSOR TO BE WIRED TO OWNER PROVIDED THERMOSTAT IN BUILDING CONTROL PANEL. SENSOR SHALL BE FULLY COMPATIBLE WITH THERMOSTAT AND HVAC UNIT USED FOR PROJECT. FIELD COORDINATE.
 - RTU-1, 2, & 3
INSTALL THREE SINGLE PACKAGE ROOF TOP UNITS. SEE SHEET M2 FOR MORE INFORMATION. UNITS FURNISHED BY OWNER, INSTALLED BY E.C.
 - PROVIDE AND INSTALL SMOKE DETECTOR IN RETURN AIR DUCT TO DE-ENERGIZE RTU SUPPLY AIR FAN IF ACTIVATED. DETECTOR TO BE WIRED TO CPI PANEL. PROVIDE, INSTALL AND WIRE VISUAL/AUDIBLE ALARM FOR DUCT SMOKE DETECTOR WITH MANUAL RESET. COORDINATE EXACT LOCATION WITH CONSTRUCTION MANAGER. MANUAL EMERGENCY SHUTDOWN SWITCH PREWIRED IN CPI PANEL. INSTALL ONE VISUAL/AUDIBLE/TEST STATION ALARM PER RTU. INSTALL SMOKE DETECTOR TEST SWITCH IN MANAGER'S OFFICE.
 - EF-2 BROILER EXHAUST FAN - CAPTIVE AIRE NCABFA. HOOD SUPPLIER SHALL FURNISH AND HVAC CONTRACTOR SHALL INSTALL WHERE SHOWN ON PLANS A ROOF MOUNTED BELT DRIVE EXHAUST FAN. UNIT SHALL HAVE A CAPACITY OF 660 CFM @ 0.75" E.S.P. WITH A 1/2 HP MOTOR, 208V., 3 PH., 60 HZ. UNIT SHALL INCLUDE A PREFABRICATED SOUND ATTENUATING ROOF CURB AND BE FURNISHED WITH SPEED CONTROL. SEE FOOD SERVICE DRAWINGS QF701, QF702.
 - EF-1 BLODGETT OVEN EXHAUST FAN - CAPTIVE AIRE NCABFA. HOOD SUPPLIER SHALL FURNISH AND HVAC CONTRACTOR SHALL INSTALL WHERE SHOWN ON PLANS A ROOF MOUNTED BELT DRIVE EXHAUST FAN. UNIT SHALL HAVE A CAPACITY OF 977 CFM @ 0.75" E.S.P. WITH A 1/2 HP MOTOR, 208V., 3 PH., 60 HZ. UNIT SHALL INCLUDE A PREFABRICATED SOUND ATTENUATING ROOF CURB AND BE FURNISHED WITH SPEED CONTROL. SEE FOOD SERVICE DRAWINGS QF701, QF702.
 - EF-3 RESTROOM EXHAUST FAN - CAPTIVE AIRE SIF10DD. HOOD SUPPLIER SHALL FURNISH AND HVAC CONTRACTOR SHALL INSTALL WHERE SHOWN ON PLANS AN IN-LINE STYLE EXHAUST FAN. UNIT SHALL HAVE A CAPACITY OF 350 CFM @ 0.35" E.S.P. SEE FOOD SERVICE DRAWINGS QF701, QF702.
 - EF-4 GRIDDLE FRYER EXHAUST FAN - CAPTIVE AIRE NCA14FA. HOOD SUPPLIER SHALL FURNISH AND HVAC CONTRACTOR SHALL INSTALL WHERE SHOWN ON PLANS A ROOF MOUNTED BELT DRIVE EXHAUST FAN. UNIT SHALL HAVE A CAPACITY OF 1989 CFM @ 0.80" E.S.P. WITH A 0.75 HP MOTOR, 208V., 3 PH., 60 HZ. UNIT SHALL INCLUDE A PREFABRICATED SOUND ATTENUATING ROOF CURB AND BE FURNISHED WITH SPEED CONTROL. SEE FOOD SERVICE DRAWINGS QF701, QF702.
 - PROVIDE AND INSTALL SELKIRK METALBESTOS FACTORY-BUILT GREASE DUCT. DUCT SHALL MEET NFPA96. THE DOUBLE WALL DUCTING SHALL HAVE AN OUTER JACKET OF ALUMINUM STEEL .025" THICK IN 5 INCH THROUGH 24" DIAMETERS AND .034" THICK FOR LARGER DIAMETERS. THE INNER LINER SHALL BE TYPE 304 STAINLESS STEEL WITH A NOMINAL THICKNESS OF .035" FOR ALL SIZES. FIBER INSULATED EXHAUST SYSTEM (MODEL IPS) SHALL HAVE FIBER INSULATION BETWEEN THE WALLS OF 1 INCH THICK. M.C. SHALL COORDINATE ANY OFFSET REQUIRED BETWEEN HOOD CONNECTION AND FAN.
 - GENERAL CONTRACTOR TO UNDERCUT DOOR 3/4" FOR TRANSFER AIR.
 - G-1 TOILET EXHAUST VENT CAP - CAPTIVE AIRE GV10 ROOF MOUNTED EXHAUST VENT COMPLETE WITH INTEGRAL BAROMETRIC DAMPER AND INSECT SCREEN. UNIT SHALL INCLUDE A PREFABRICATED SOUND ATTENUATING ROOF CURB.

- MECHANICAL LEGEND**
- NEW DUCTWORK
 - CEILING SUPPLY AIR DIFFUSER
 - CEILING RETURN AIR GRILLE
 - CEILING EXHAUST AIR GRILLE
 - TURNING VANE
 - BRANCH TAKE-OFF WITH BALANCING DAMPER
 - SMOKE DETECTOR
 - DUCT TEMPERATURE SENSOR
 - THERMOSTAT/SENSOR
 - AIR DEVICE TYPE
CFM AMOUNT
 - SUPPLY AIRFLOW
 - RETURN AIRFLOW
 - OUTSIDE AIR
 - SUPPLY AIR
 - RETURN AIR
 - FIRE DAMPER
 - AUDIBLE/VISIBLE ALARM DEVICE
- * ALL SYMBOLS MY NOT BE USED

HVAC GENERAL NOTES

- ALL RECTANGULAR AND ROUND OUTSIDE AIR, RETURN AIR, RELIEF AIR AND SUPPLY AIR DUCTWORK SHALL BE EXTERNALLY INSULATED WITH 2" THICK, 2.75 LBS. DENSITY FOIL FACED FIBERGLASS INSULATION. INSTALLED "R" VALUE = 6.0. DUCT DIMENSIONS SHOWN ARE INSIDE NET DIMENSIONS. IN GENERAL, HOLD DUCT TIGHT TO UNDERSIDE OF STRUCTURE UNLESS OTHERWISE NOTED OR REQUIRED BY FIELD CONDITIONS. DUCT SHALL BE HARD DUCT IN ALL CASES EXCEPT THE LAST 10 FEET OF ROUND SUPPLY DUCT.
- CONICAL BELLMOUTH FITTINGS WITH MANUAL BALANCING DAMPER TO BE USED FOR ALL ROUND BRANCH TAPS ABOVE ACCESSIBLE LAY-IN CEILINGS. CONICAL BELLMOUTH FITTINGS WITHOUT MANUAL BALANCING DAMPERS TO BE USED FOR ALL ROUND BRANCH TAPS ABOVE INACCESSIBLE DRYWALL CEILINGS WITH BALANCING REQUIRED WITHIN 2 FT. OF DIFFUSER WITH PLASTER FRAME.
- FLEX CONNECTIONS TO SUPPLY DIFFUSERS ARE INSULATED FLEX WITH A MAXIMUM LENGTH OF 10 FT. ALL RETURN AIR DUCTS SHALL ALL BE RIGID, NO FLEX IS ALLOWED.
- MECHANICAL CONTRACTOR SHALL BE RESPONSIBLE FOR COORDINATION OF ALL TRADES, LANDLORD REQUIREMENTS, CEILING HEIGHTS AND EXISTING STRUCTURAL CONDITIONS PRIOR TO FABRICATION OF ANY DUCTWORK OR ORDERING OF ANY EQUIPMENT.
- THE HVAC CONTRACTOR IS RESPONSIBLE FOR COORDINATING BOX-OUT LOCATIONS FOR ALL DRYWALL MOUNTED AIR DEVICES WITH GENERAL CONTRACTOR AND CEILING FRAMING.
- MECHANICAL CONTRACTOR TO PROVIDE TENANT WITH AS-BUILT DRAWINGS, ALL EQUIPMENT SHOP DRAWINGS, INFORMATION ON THERMOSTATS, CONTROL WIRING DIAGRAMS AND OTHER PERTINENT INFORMATION AT COMPLETION OF PROJECT.
- MECHANICAL CONTRACTOR IS TO PROVIDE AND INSTALL FIRE-RATED PIPE SLEEVES AND SEALS ON ALL EXISTING OR NEW PIPING THAT PENETRATES A FIRE-RATED PARTITION.
- PERFORM ALL WORK IN ACCORDANCE WITH PROVIDED SPECIFICATIONS DIVISION 23.
- INSTALL VOLUME DAMPERS ON BRANCH SUPPLY DUCTS AS NECESSARY TO BALANCE DIFFUSER AIRFLOW WITHIN 10% OF VALUES INDICATED (15% FOR DIFFUSERS LESS THAN 150 CFM).
- INSTALL VOLUME DAMPERS ON BRANCH SUPPLY DUCTS AS NECESSARY TO BALANCE DIFFUSER AIRFLOW WITHIN 10% OF VALUES INDICATED (15% FOR DIFFUSERS LESS THAN 150 CFM).
11. RTU, KITCHEN FANS, CURBS AND BOTH FANS SHALL BE PROVIDED BY OWNER AND INSTALLED BY G.C. ALL DUCTWORK, DIFFUSERS, GREASE DUCTWORK, OTHER MATERIALS AND EQUIPMENT SHALL BE PROVIDED AND INSTALLED BY THE M.C.
12. PRODUCT HANDLING BY GENERAL CONTRACTOR: EQUIPMENT AND MATERIALS SHALL BE PROPERLY STORED, ADEQUATELY PROTECTED, AND CAREFULLY HANDLED TO PREVENT DAMAGE BEFORE AND DURING INSTALLATION. EQUIPMENT AND MATERIALS SHALL BE HANDLED, STORED, AND PROTECTED IN ACCORDANCE WITH THE MANUFACTURER'S RECOMMENDATIONS. EQUIPMENT INSTALLED WITH A FACTORY FINISH SHALL BE FULLY PROTECTED DURING CONSTRUCTION AND DAMAGED EQUIPMENT SHALL BE REPAIRED OR REPLACED.
13. COORDINATION OF WORK: HEATING, VENTILATING, AND AIR CONDITIONING WORK SHALL BE COORDINATED WITH OTHER TRADES. ANY DROPS, RISES, OR OFFSETS NECESSARY FOR THE PROPER INSTALLATION OF THE WORK SHALL BE PROVIDED. DUCTWORK SHALL HAVE RIGHT OF WAY OVER PLUMBING AND ELECTRICAL WORK.
14. EQUIPMENT INSTALLATION: FINAL CONNECTIONS TO EQUIPMENT, INCLUDING DUCTWORK AND TEMPERATURE CONTROLS, SHALL BE PROVIDED.
15. PREPARED OPENINGS: ALL SQUARE AND RECTANGULAR DUCTS PASSING THROUGH ROOF SHALL BE INSTALLED THROUGH PREPARED OPENINGS. THE GENERAL CONTRACTOR SHALL BE RESPONSIBLE FOR THE PROPER SIZE AND LOCATION OF OPENINGS.
16. COMPRESSOR/CONDENSER UNIT: COMPRESSOR/CONDENSER UNIT SHALL BE USED TO PROVIDE COOLING FOR THE FREEZER/COOLER. UNIT SHALL BE FURNISHED BY OWNER, AND THE REFRIGERANT LINES WILL BE INSTALLED BY THE MECHANICAL CONTRACTOR. THE COMPRESSOR/CONDENSER UNIT SHALL BE INSTALLED, WIRED, STARTED AND TESTED BY THE CONTRACTOR. OWNER FURNISHED START-UP REPORT SHALL BE COMPLETED BY THE MECHANICAL CONTRACTOR AT TIME OF START-UP AND SUBMITTED TO OWNER PRIOR TO EQUIPMENT COMPLETE DATE.
17. ICE MACHINE CONDENSERS: ICE MACHINE (1) SHALL HAVE AIR COOLED REMOTE CONDENSER UNITS, ICE MACHINES, CONDENSER UNITS AND PRECHARGED REFRIGERANT LINE SET SHALL BE FURNISHED BY OWNER. ALL REFRIGERANT LINES WILL BE INSTALLED AND CONNECTED BY THE MECHANICAL CONTRACTOR.
18. STARTUP:
 - DESCRIPTION OF WORK: THE WORK INCLUDES START-UP AND TESTING OF AIR SYSTEMS PROVIDED UNDER THIS DIVISION TO INSURE THE PROPER OPERATION OF THE SYSTEMS. THE WORK ALSO INCLUDES PERFORMANCES OF OTHER TESTS AND PROVISION OF ADDITIONAL DATA AS SPECIFIED HEREIN.
 - AIR SYSTEM OPERATION ASSURANCE: BEFORE STARTING WORK, THE MECHANICAL CONTRACTOR SHALL FAMILIARIZE THEM SELF WITH THE OPERATION OF THE SYSTEMS AND THE DESIGN REQUIREMENTS, SYSTEMS AND AUXILIARIES, INCLUDING THE ROTATION OF FANS, LUBRICATION OF EQUIPMENT AND CONDITION OF COILS AND FILTERS, SHALL BE CHECKED TO CONFIRM THAT THEY ARE IN WORKING ORDER AND THAT TESTING CAN PROCEED.
 - SCHEDULING OF WORK: THE MECHANICAL CONTRACTOR SHALL PERFORM INITIAL START-UP AND TESTING OF RTU CIRCULATING AIR SYSTEMS, THE WORK SHALL BE DONE AFTER EACH SYSTEM INSTALLATION HAS BEEN COMPLETED. NOTICE SHALL BE GIVEN TO THE OWNER FIVE (5) DAYS PRIOR TO INITIAL START-UP SO PERFORMANCE TESTS MAY BE WITNESSED. CONTRACTOR SHALL COORDINATE THE WORK OF OTHER TRADES AS REQUIRED FOR THE COMPLETION OF START-UP AND TESTING.
 - GENERAL PROCEDURES: AFTER COMPLETION OF THE INSTALLATION AND PRIOR TO EQUIPMENT INSTALLATION COMPLETION DATE, REFER TO CONSTRUCTION SCHEDULE IN APPENDIX. ALL MECHANICAL SYSTEMS AND APPURTENANCES APPLICABLE TO THOSE SYSTEMS SHALL BE STARTED-UP AND TESTED. BASIC REQUIREMENTS SHALL BE AS FOLLOWS:
 - CHECK FANS FOR PROPER OPERATION.
 - VERIFY PROPER HEATING AND COOLING OPERATION FOR EACH RTU SYSTEM.
 - VERIFY PROPER ECONOMIZER OR DAMPER OPERATION.
 - VERIFY THAT TEMPERATURE CONTROL SYSTEM HAS BEEN INSTALLED AS SPECIFIED AND HAS BEEN TESTED TO ASSURE THAT CONTROL ELEMENTS ARE CALIBRATED, ADJUSTED, AND IN PROPER WORKING CONDITION
 - MARK PERMANENTLY THE LOCATION OF MINIMUM DAMPER OR ECONOMIZER OUTSIDE AIR SETTINGS.
19. TESTING AND BALANCING:
 - DESCRIPTION OF WORK: THE WORK INCLUDES TESTING, ADJUSTING, AND BALANCING OF AIR SYSTEMS PROVIDED UNDER THIS DIVISION (SEE SPECIFICATIONS) TO DELIVER THE AIR QUANTITIES INDICATED ON THE PLANS. THE WORK ALSO INCLUDES START-UP AND CHECK-OUT OF HVAC CONTROL PANEL, ASSOCIATED SENSORS AND PERFORMANCES OF OTHER TESTS AND PROVISION OF ADDITIONAL DATA AS SPECIFIED HEREIN. AIR BALANCE SHALL BE PERFORMED BY THE OWNERS TESTING REPRESENTATIVE PAID FOR BY THE OWNER.
20. SCHEDULING OF WORK: THE GENERAL CONTRACTOR SHALL PERFORM FINAL TESTING, BALANCING AND ADJUSTING OF RTU CIRCULATING AIR SYSTEMS WITH OWNER'S AIR BALANCE CONTRACTOR. THE WORK SHALL BE DONE AFTER EACH SYSTEM HAS BEEN STARTED, TESTED AND START-UP REPORTS SUBMITTED BY THE MECHANICAL CONTRACTOR TO THE OWNER. AIR BALANCE SHALL BE COMPLETED AND REPORTS SUBMITTED TO THE OWNER'S PUNCH LIST DATE. THE GENERAL CONTRACTOR SHALL COORDINATE THE WORK OF OTHER TRADES AS REQUIRED FOR THE COMPLETION OF BALANCING.

REVISIONS

NO.	DESCRIPTION	DATE
1	HVAC UPDATES	8/6/20
2	BONE IN CHIEF	9/24/20

DATE: 01-31-2020

SHEET NUMBER: M-1

NOTE: SEE SHEETS CPI-1.0 THRU CPI-2.3 FOR CPI INFORMATION RELATED TO WIRING OF CONTROLS & ENERGY MANAGEMENT.

NRD Project # 19187

national restaurant designers
ARCHITECTS & ENGINEERS

3005 CARRINGTON MILL BLVD., SUITE 150
MORRISVILLE, NORTH CAROLINA 27560
PH: 919-344-7251 FAX: 919-344-9399
A Division of LMHT Associates

9.25.20

LMHT ENGINEER LICENSE NUMBER - C-1869

Hardees
CHARACTERALLY INSPIRED RESTAURANTS

HARDEES STANDARD PROTOTYPE
NC HWY 87 & BUFFALO RD.
CAMERON, NC 28520

BODDE-NOELL ENTERPRISES, INC.
P.O. BOX 1808
ROCKY MOUNT, NC 27802-1808
(252) 967-2800

OWNER
BE

DRAWN BY: _____ CHECKED BY: _____

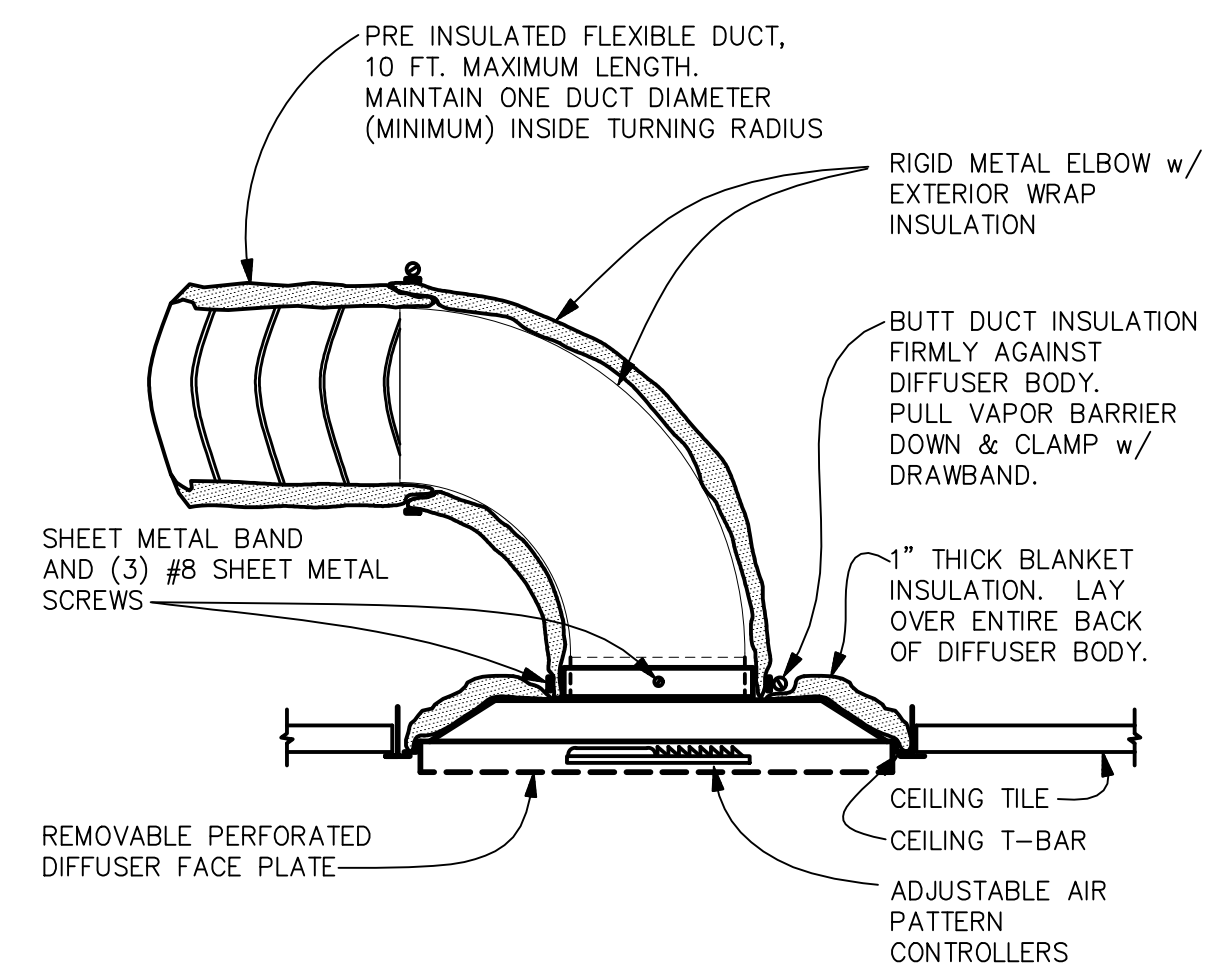
HVAC PLAN

ROOF TOP UNIT SCHEDULE - PROVIDED BY OWNER (UNO)

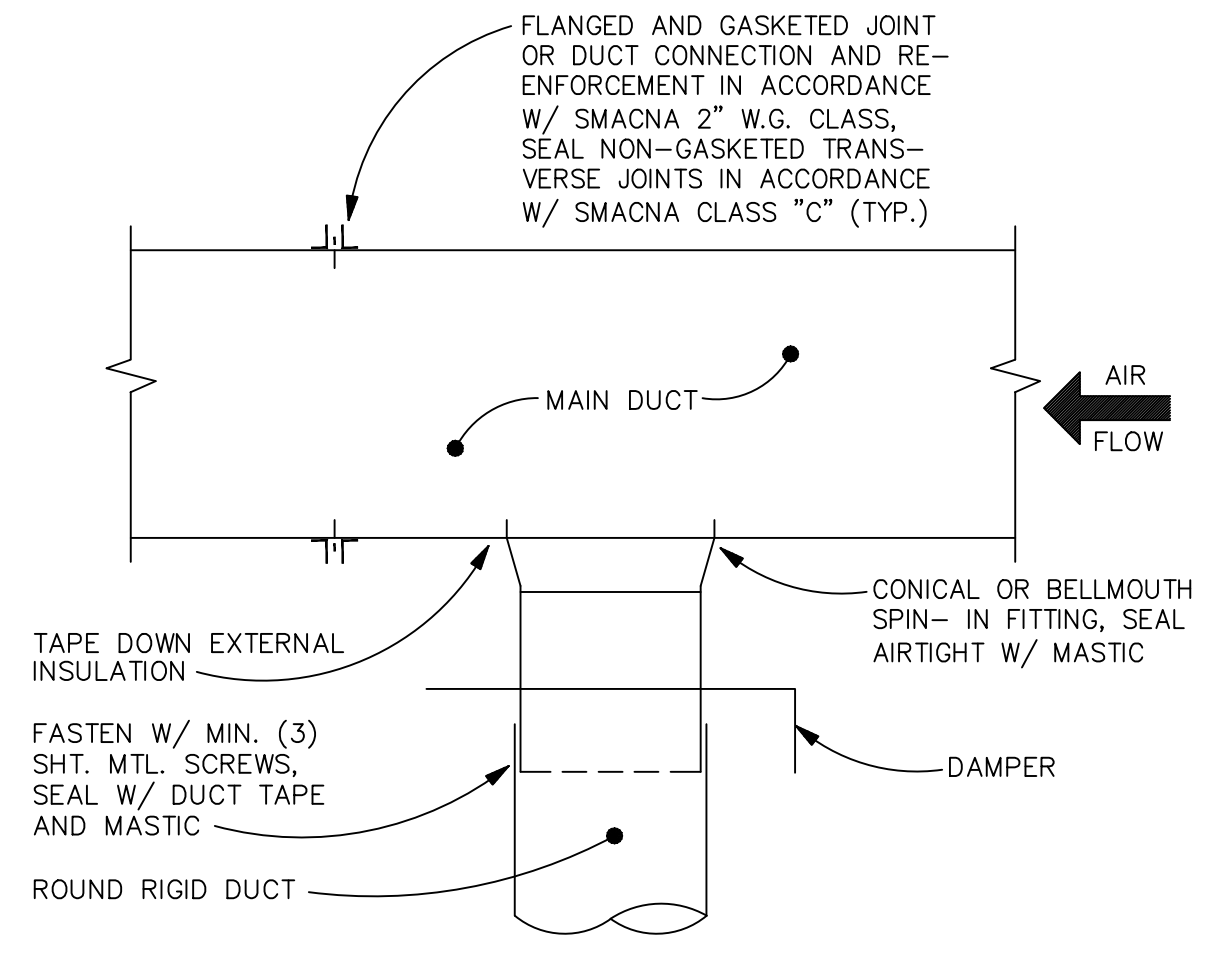
MARK	MFG/MODEL NO.	NOMINAL CAP. (TONS)	CFM	EER	ESP. SP. (IN.W.C.)		FAN RPM	MOTOR HP	COOLING CAPACITY				AMB. TEMP. (°F)	WEIGHT LBS.	ELEC. HEAT @208	CONTROL STAGES	ELECTRICAL			
					IN.W.C.	IN.W.C.			TOT. MBH	SENS. MBH	ENT. DB (°F)	ENT. WB (°F)					FLA	MCA	MCCP	V/PH
RTU-1	TRANE THD180	15	6,000	12.1	0.49	0.86	664	3.0	175.7	122.7	82.9	69.0	101.3	2378#	40.6 KW	2	123.2	155.0	175.0	208/3
RTU-2	TRANE THC092	7.5	2,400	12.6	0.44	0.73	937	2.75	86.4	61.7	83.3	69.2	101.3	1228#	27.0 KW	2	82.2	104.0	110.0	208/3
RTU-3	TRANE THC092	7.5	2,400	12.6	0.35	0.65	913	2.75	87.1	62.7	84.2	69.7	101.3	1228#	27.0 KW	2	82.2	104.0	110.0	208/3

NOTES:

- DOWN FLOW ECONOMIZER W/ BAROMETRIC RELIEF AND FDD CONTROLS FOR ALL ROOF TOP UNITS.
- PREFAB RTU CURB FURNISHED WITH UNIT INSULATED BY CONTRACTOR.
- ALL ROOFTOP UNITS ARE TO BE PROVIDED BY OWNER.
- STARTUP/SHUTDOWN TEST AND SYSTEM AIR BALANCE SERVICE TO BE PERFORMED BY MECHANICAL CONTRACTOR.
- AIR VOLUME BASED ON RESTAURANT ELEVATION OF 800 FT ABOVE SEA LEVEL.
- HINGED PANEL/STANDARD FILTERS.
- FACTORY 115V GFI RECEPTACLE (FIELD WIRED).
- 6-10 YR COMPRESSOR WARRANTY.
- THROUGH-BASE ELECTRICAL.
- MANUFACTURER PROVIDED CIRCUIT BREAKER.
- MANUFACTURER PROVIDED FROSTSTAT.
- PROVIDE BLACK EPOXY PRE-COATED COILS.
- FLA INCLUDES AUX. ELEC. HEAT.
- ROOFTOP UNITS ARE ELECTRICALLY INTERLOCKED WITH HOODS THRU BUILDING CONTROL PANEL (CPI).
- PROVIDE SINGLE ZONE VAV FOR ALL RTUS PER CODE REQUIREMENTS.
- PROVIDE REHEAT WITH ALL RTUS.
- PROVIDE HIGH STATIC DRIVE WITH RTU-1.



LAY-IN DIFFUSER DETAIL
N.T.S.



ROUND DUCT TAKEOFF DETAIL
N.T.S.

AIR BALANCE SCHEDULE

UNIT	SUPPLY	RETURN	OUTSIDE	EXHAUST	SERVING
RTU-1	6,000	3,500	2,400	3	KITCHEN
RTU-2	2,400	1,400	1,000		SERV & ORDER
RTU-3	2,400	1,300	1,100	3	DINING
EF-1				977	OVEN HOOD
EF-2				660	BROILER HOOD
EF-3				1,989	FRYER/GRIDDLE HOOD
EF-4				360	FRYER HOOD (3'-0")
EF-5				350	RESTROOM
TOTAL	10,800	6,300	4,500	4,336	TOTAL BLDG AIRFLOW

NOTES:

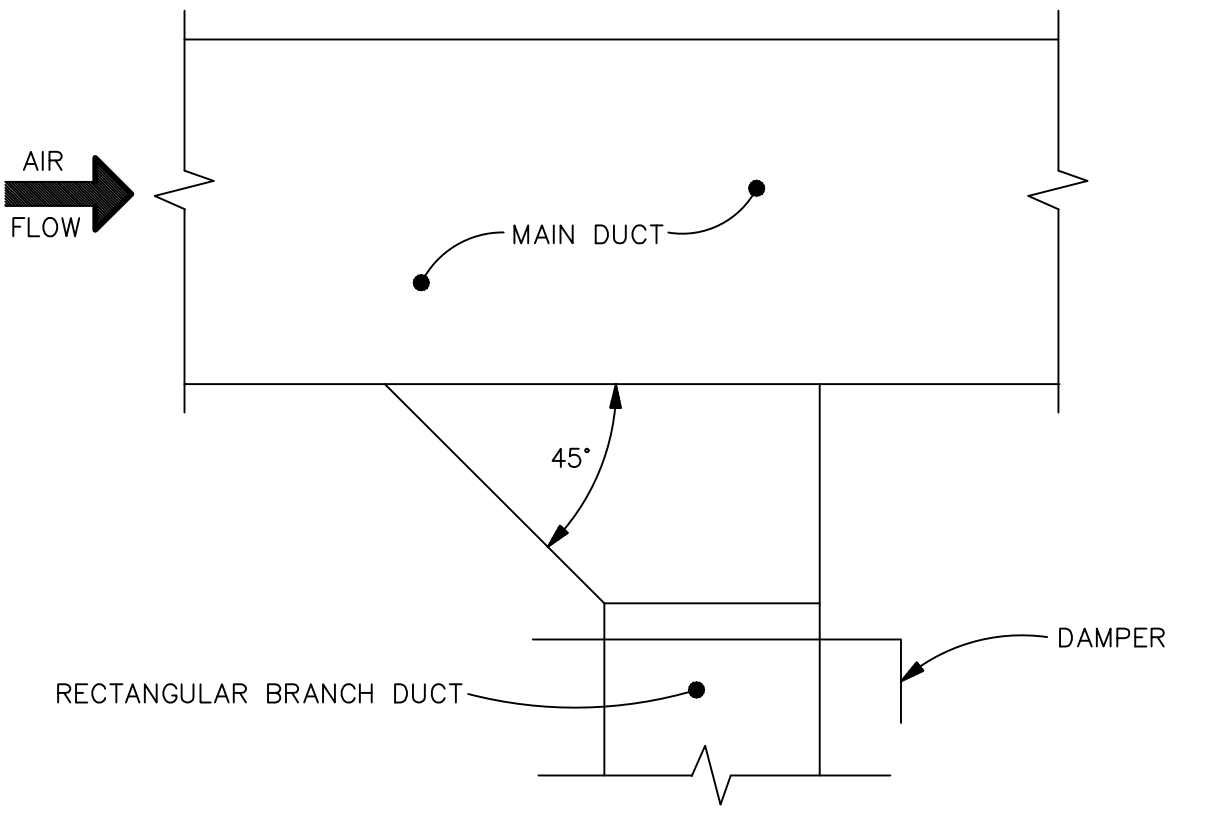
- BUILDING MUST BE POSITIVE AT TEST AND BALANCE.

GRILLE AND DIFFUSER SCHEDULE

MARK	AIR-GUIDE MODEL	FACE SIZE	NECK SIZE	TYPE	MOUNTING	MAT'L/FINISH
SD-1	AVP-PLT	24"x24"	PER PLAN	SUPPLY	T-BAR	ALUM/WHITE
SD-2	PS-1	24"x24"	PER PLAN	SUPPLY	T-BAR	ALUM/WHITE
SD-3	-	-	-	-	-	-
SD-4	AVPA-FM	12"x12"	PER PLAN	SUPPLY	SURFACE	ALUM/WHITE
SD-5	RAME-P	24"x24"	PER PLAN	SUPPLY	T-BAR	ALUM/WHITE
SD-6	AVP-PLT	24"x24"	PER PLAN	SUPPLY	T-BAR	ALUM/WHITE
SR-1	VH	14"x6"	PER PLAN	SUPPLY	WALL MTD.	ALUM/WHITE
RG-1	PR-1	24"x24"	PER PLAN	RETURN	T-BAR	ALUM/WHITE
RG-2	PR-2	24"x24"	PER PLAN	RETURN	T-BAR	ALUM/WHITE
EG-1	RA-AG	12"x12"	PER PLAN	RETURN/EXHAUST	SURFACE	ALUM/WHITE

NOTES:

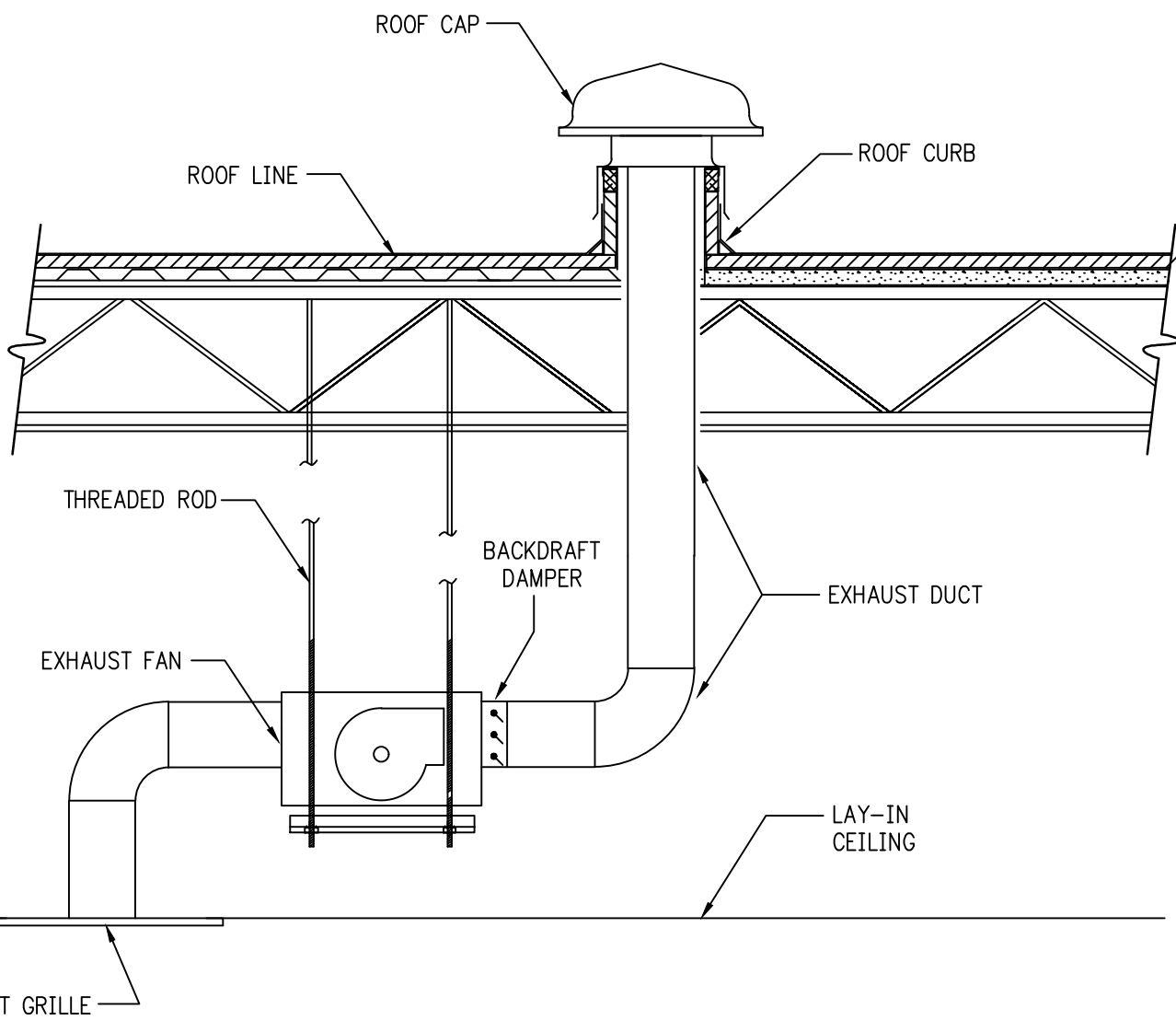
- TRANSITION TO DUCT AS REQUIRED.
- PROVIDE OPPOSED BLADE DAMPERS (OBD) FOR GRILLES AND DIFFUSERS INSTALLED WITHIN SHEETROCK CEILINGS.
- NOT ALL DEVICES MAY BE USED.
- ALL "B" DIFFUSERS WITHIN 10' OF A HOOD SHALL HAVE THE AIR PATTERN REMOVED OR AIMED IN A DIRECTION VOID OF A HOOD.
- DIFFUSER FINISH TO MATCH SURROUNDING CEILING COLOR. SEE SHEET A2.



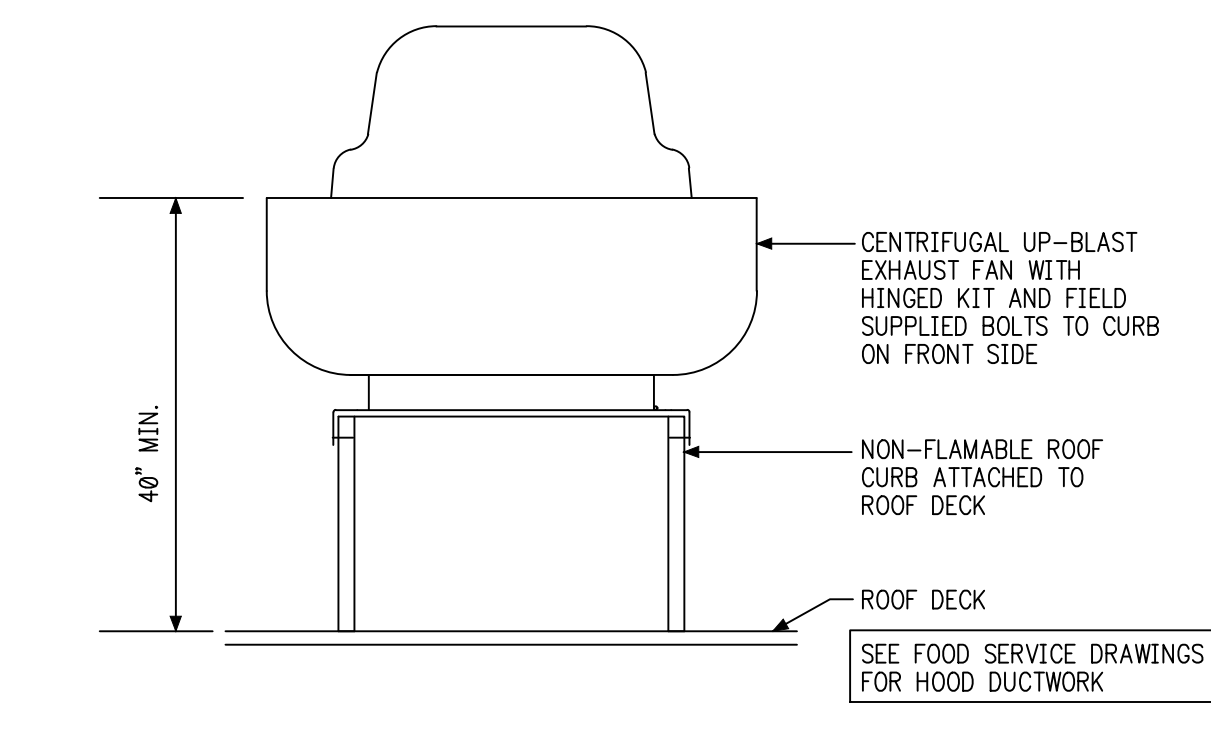
RECTANGULAR DUCT TAKEOFF DETAIL
N.T.S.

FAN SCHEDULE

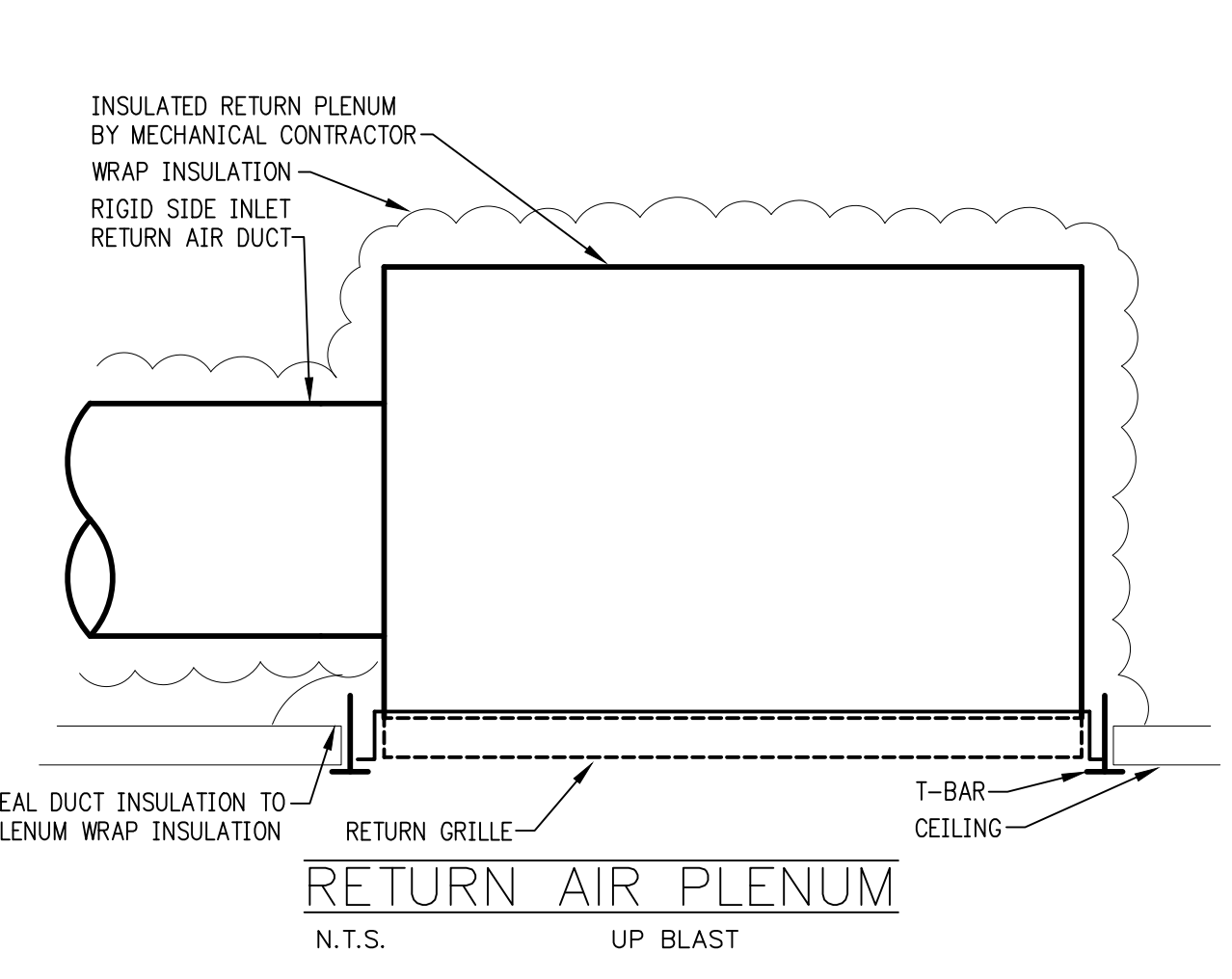
SYMBOL	MFR.	MODEL	CFM	EXT. SP.	SERVING	ELECTRICAL				WEIGHT	REMARKS
						FLA	HP	VOLT	PHASE		
EF-1	CAPTIVE AIRE	NCA8FA	977	0.75	OVEN HOOD	1.90	0.50	208	3	138	SEE HOOD SHEET
EF-2	CAPTIVE AIRE	NCA8FA	660	0.75	BROILER HOOD	1.90	0.50	208	3	138	SEE HOOD SHEET
EF-3	CAPTIVE AIRE	NCA14FA	1,989	0.80	GRIDDLE/FRYER	2.50	0.75	208	3	171	SEE HOOD SHEET
EF-4	CAPTIVE AIRE	DUL2HFA	360	0.45	FRYER	2.90	0.25	208	3	99	SEE HOOD SHEET
EF-5	CAPTIVE AIRE	SIF10DD	350	0.25	RESTROOM	3.70	0.25	115	1	62	SEE HOOD SHEET



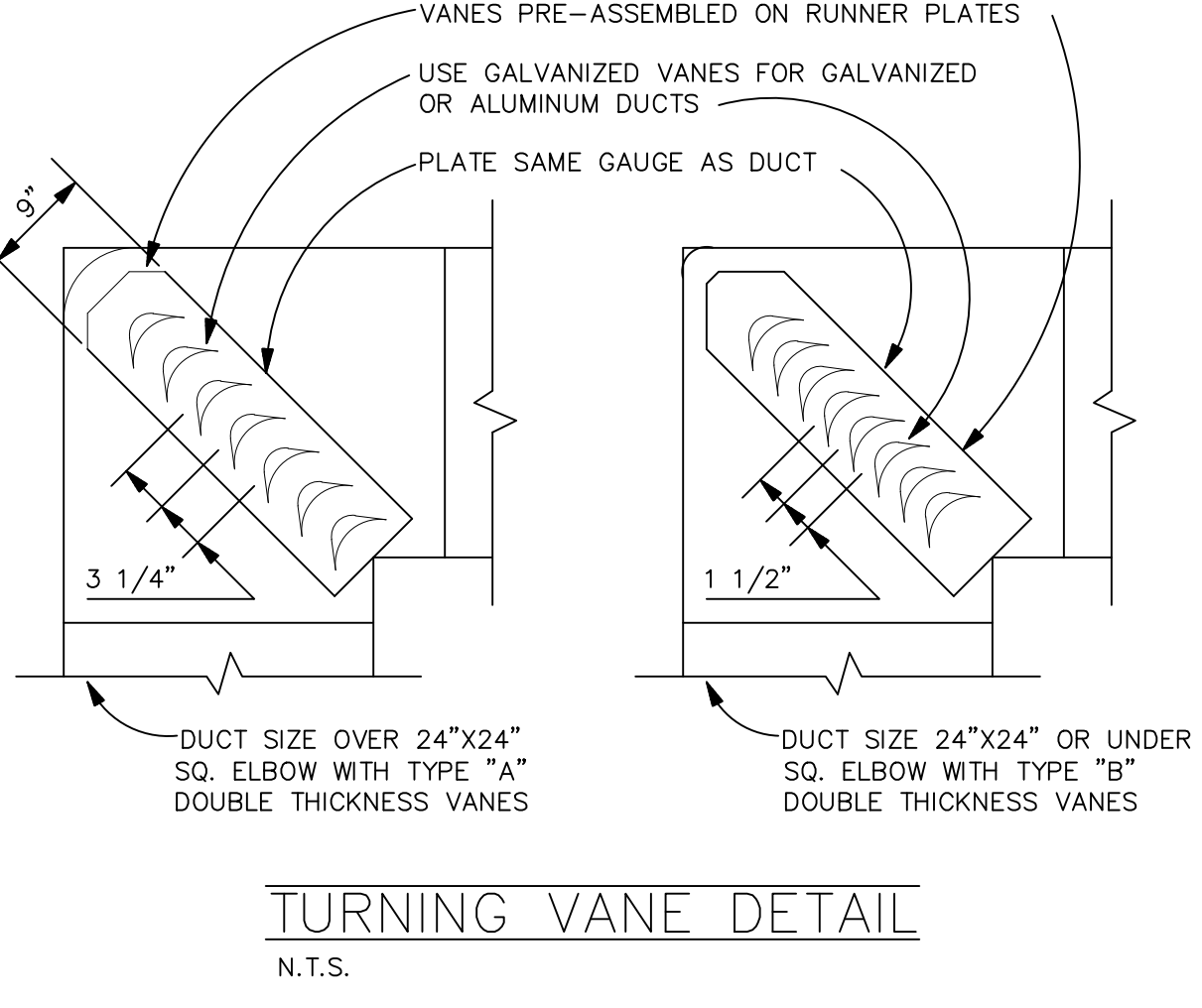
RESTROOM EXHAUST WITH ROOF CAP
N.T.S.



EXHAUST FAN UP BLAST
N.T.S.



RETURN AIR PLENUM
N.T.S.



TURNING VANE DETAIL
N.T.S.

NOTE: SEE SHEETS CPI-1.0 THRU CPI-2.3 FOR CPI INFORMATION RELATED TO WIRING OF CONTROLS & ENERGY MANAGEMENT.

OUTDOOR AIR CALCULATION

DINING	721 SF	1000	X 100 = 72 PEOPLE	72 x 7.5 / 0.8 = 675 CFM
SERVING	214 SF	1000	X 30 = 7 PEOPLE	7 x 5 / 0.8 = 44 CFM
WALKWAY	270 SF			270 x 0.06 / 0.8 = 20 CFM
				TOTAL DINING OA REQ'D. = 917 CFM
				OUTDOOR AIR PROVIDED THROUGH RTU-2 & 3 = 2100 CFM
KITCHEN	909 SF			909 x .7 / 0.8 = 795 CFM
OFFICE	35 SF	1000	X 5 = 1 PERSON	1 x 5 / 0.8 = 6 CFM
				35 x .06 / 0.8 = 3 CFM
STORAGE	320 SF			320 x .12 / 0.8 = 48 CFM
				TOTAL KITCHEN/OFFICE/STOR. OA REQUIRED = 852 CFM
				OUTDOOR AIR PROVIDED THROUGH RTU-1 = 2400 CFM

OUTDOOR AIR VENTILATION FORMULA:

BREATHING ZONE AREA (Az) X OCCUPANT DENSITY + 1000 SF = OCCUPANTS

OCCUPANTS X PEOPLE OUTDOOR AIR RATE CFM/PERSON(Rp) = CFM

CFM + ZONE AIR DISTRIBUTION EFFECTIVENESS(Ez) = CFM (1)

+ BREATHING ZONE AREA(Az) X AREA OUTDOOR AIR RATE (Ra) = CFM

CFM + ZONE AIR DISTRIBUTION EFFECTIVENESS(Ez) = CFM (2)

(1) + (2) = TOTAL CFM REQUIRED FOR THAT ZONE

KITCHEN OUTDOOR AIR: BREATHING ZONE AREA (Az) X 0.7 CFM PER SQ. FT = CFM

CFM + ZONE AIR DISTRIBUTION EFFECTIVENESS(Ez) = TOTAL CFM REQUIRED

NRD Project # 19187

national restaurant designers

NRD ARCHITECTS & ENGINEERS

3005 CARRINGTON MILL BLVD., SUITE 150
MORRISVILLE, NORTH CAROLINA, 27560
PH: 919-344-7251 FAX: 919-344-9399

A Division of LMHT Associates

9.25.20

LMHT ENGINEER LICENSE NUMBER - C-1869

Handee

CHARACTER QUALITY PROTECTANT

HARDEE'S STANDARD PROTOTYPE

NC HWY 87 & BUFFALO RD.
CAMERON, NC 28520

BODDE-NOELL ENTERPRISES, INC.

P.O. BOX 1908
ROCKY MOUNT, NC 27802-1908
(252) 967-2800

OWNER

BN

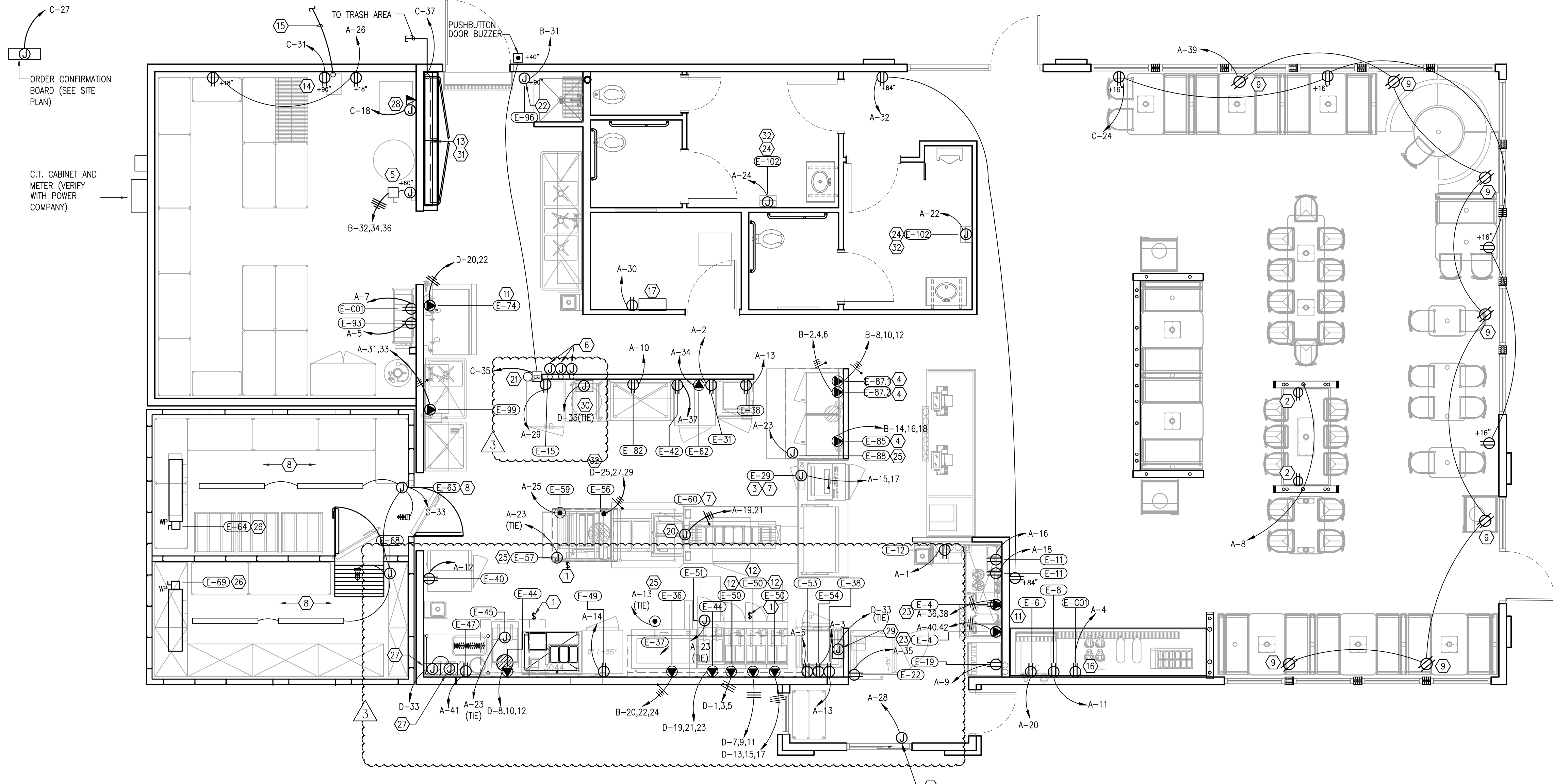
REVISIONS

NO.	DATE	DESCRIPTION
1	8/6/20	HVAC UPDATES
2	9/24/20	BONE IN CHICKEN

MECHANICAL DETAILS

DATE: 01-31-2020

SHEET NUMBER: M-2



ELECTRICAL LEGEND

- 120 VOLT SIMPLEX RECEPTACLE
- 120 VOLT DUPLEX RECEPTACLE
- 120 VOLT DUPLEX RECEPTACLE MOUNTED UNDER COUNTER
- 120 VOLT DUPLEX RECEPTACLE CEILING MOUNTED
- 208 VOLT, 1 OR 3 PHASE SINGLE RECEPTACLE
- 208 VOLT, 3 PHASE SINGLE RECEPTACLE (TWIST LOCK)
- 120 VOLT DUPLEX RECEPTACLE (WEATHER PROOF)
- 120 VOLT QUAD RECEPTACLE (WEATHER PROOF)
- TELEPHONE JACK
- DATA JACK
- PHONE/DATA JACK
- MOTOR AND NON-FUSED DISCONNECT
- 2-POLE WALL SWITCH
- JUNCTION BOX
- HOMERUN
- SPECIAL PURPOSE OUTLET, 208/240 VOLT AS INDICATED, ROUND TYPE

ELECTRICAL NEMA SCHEDULE

EQUIPMENT PROVIDED CORD & PLUG

ITEM	QTY.	DESCRIPTION	VOLTS/PHASE	NEMA
12	1	ICE CREAM FREEZER	115 1	NEMA 5-15P
22	1	UNDERCOUNTER COOLER	115 1	NEMA 5-15P
30	1	SANDWICH HOLDING BIN	120-208 1	NEMA L14-20P
31	1	UNDERCOUNTER REFRIGERATOR	115 1	NEMA 5-15P
32	1	UNDERCOUNTER COOLER	115 1	NEMA 5-15P
33	2	HEAT LAMP	120 1	NEMA 5-15P
35	1	CONVEYOR TOASTER	208 1	NEMA L6-20P
35A	1	CONVEYOR TOASTER	208 1	NEMA L6-20P
36	1	GRIDDLE	208 3	NEMA 15-50P
37/38	4	TIMER	120 1	NEMA 5-15P
40	1	REACH-IN REFRIGERATOR	115 1	NEMA 5-15P
42	1	REACH-IN REFRIGERATOR	115 1	NEMA 5-15P
49	1	REACH-IN FREEZER	115 1	NEMA 5-15P
50A	1	UNDERCOUNTER COOLER	115 1	NEMA 5-15P
53	1	WORKTOP FREEZER	115 1	NEMA 5-15P
54	1	FRENCH FRY WARMER	120 1	NEMA 5-20P
59	1	SLIDE TOP FREEZER	115 1	NEMA 5-15P
60C	1	HOLDING CABINET	120 1	NEMA 5-15P
60D	1	HOLDING CABINET	120 1	NEMA 5-15P
61	4	FOOD WARMER	120 1	NEMA 5-15P
62A	1	MICROWAVE OVEN	120 1	NEMA 5-20P
62B	1	MICROWAVE OVEN	120 1	NEMA 5-20P
100	1	REACH-IN REFRIGERATOR	115 1	NEMA 5-15P

(CORD & PLUG PROVIDED BY ELECTRICIAN) SCHEDULE

ITEM	QTY.	DESCRIPTION	VOLTS/PHASE	NEMA
4	2	TEA/COFFEE BREWER	208 1	208V-1P WITH NEUTRAL WIRE
6	1	ICE CUBE MAKER	115 1	115V-1P WITH NEUTRAL WIRE
44/50	5	FRYER	208 3	208V-3P 3W WITH NEUTRAL WIRE
59	1	MEAT FREEZER	115 1	115V-1P WITH NEUTRAL WIRE
74	1	ICE CUBE MAKER	208-230 1	208V-1P WITH NEUTRAL WIRE
85	1	CONVECTION OVEN	208 3	208V-3P 3W WITH NEUTRAL WIRE
87.1	1	CONVECTION OVEN	208 3	208V-3P 3W WITH NEUTRAL WIRE
87.2	1	CONVECTION OVEN	208 3	208V-3P 3W WITH NEUTRAL WIRE
99	1	HOT WATER DISPENSER	208 1	208V-1P WITH NEUTRAL WIRE

NOTE: NEMA SCHEDULE, CORD & PLUG SCHEDULE ARE PROTOTYPICAL. E.C. SHALL VERIFY ALL EQUIPMENT AND POWER REQUIREMENTS WITH FINAL EQUIPMENT PACKAGE. ADJUST AS REQUIRED.

- NOTES:
- P.O.S. L.V. WIRING BY P.O.S. INSTALLER POWER WIRING BY E.C.
 - L.V. SPEAKER WIRING BY SPEAKER INSTALLER.
 - MONITOR CABLE WIRING BY MONITOR INSTALLER, POWER WIRING BY E.C.

NOTE: REFER TO PANEL SCHEDULES ON SHEET E3 & SHEETS CPI-1.0 THRU CPI-2.3 FOR INDICATION OF WHICH CIRCUITS WILL BE CIRCUITED THROUGH THE ENERGY CONTROL PANEL.

NOTE: REFER TO QF300 FOR ELECTRICAL ROUGH-IN INFORMATION & E4 FOR ADDITIONAL ROOF MOUNTED EQUIPMENT.

ELECTRICAL POWER PLANS

- HOODS SHALL BE POWERED AND INTERLOCKED WITH EXHAUST FAN AND FIRE PROTECTION SYSTEM IN CONTROL PANEL. HOODS SHALL BE CONTROLLED BY SWITCH LOCATED ON THE FACE OF HOOD. COORDINATE W/ MECHANICAL CONTRACTOR.
- HUBBLE #US20X2BK DUPLEX RECEPTACLE; 20A 125V, RATED TWO (2) USB PORTS (3A, 5VDC) WITH LED INDICATOR AND BLACK FINISH, MOUNTED ON INSIDE OF PRE-FAB WALL / TABLE, ROUTE CONDUIT & WIRE DOWN TO WALL FROM OVER HEAD THRU PROVIDED CHASE. VERIFY MOUNTING HEIGHT W/OWNER.
- TRANSFER TABLE PANEL, SEE QF300 FOR ADDITIONAL INFORMATION.
- VERIFY PLUG/RECEPTACLE REQUIREMENTS W/OWNER. GC TO PROVIDE 90° ANGLE PLUG AT BISCUIT OVENS. SEE EQUIPMENT SCHEDULES ON QF300.
- PROVIDE A 100A/ 3-POLE NON-FUSED DISCONNECT FOR WATER HEATER, VERIFY W/MFG.
- JUNCTION BOXES (4" OCTAGONAL) @ 48" A.F.F. FOR REMOTE ANSUL PULL STATION. ANSUL PULL IS TO BE RECESSED. E.C. SHALL PROVIDE AND INSTALL ALL CONDUIT CONCEALED WITHIN THE WALL. CONDUIT SHALL BE A STRAIGHT RUN WITH NO OFFSETS OR BENDS. E.C. SHALL PROVIDE APPROPRIATE DEPTH J-BOX TO ALLOW FOR A STRAIGHT CONNECTION TO THE CONDUIT. COORDINATE WITH M.C./HOOD SUPPLIER.
- CONTRACTOR TO VERIFY CONNECTION TO EQUIPMENT WITH EQUIPMENT SUPPLIER.
- ALL CONDUITS RUNNING FROM THE KITCHEN INTO THE COOLER SHALL BE SEALED TO PREVENT WARM AIR COMING INTO CONTACT WITH THE COOLER AIR AND CREATING A CONDENSATE ISSUE.
- SHOW WINDOW RECEPTACLE INSTALLED IN CEILING.
- J-BOX FOR CONNECTION TO AUTOMATIC SELF-CLOSING DRIVE-THRU WINDOW. FIELD COORDINATE EXACT LOCATION.
- AIR COOLED CONDENSER ON ROOF. ROUTE (2) #12 AND (1) #12 GROUND FROM ICE MACHINE TO CONDENSER. FURNISH AND INSTALL DISCONNECT SWITCH AT EACH LOCATION. POWERED THRU ICE MACHINE.
- PROVIDE NEMA 15-60P RECEPTACLE, NEMA 15-60P ANGLE PLUG 12" TO TOP OF RECEPT. BOX, CENTERED ON EACH VAT, WITH 6 FT. OF 4-#4 SO CORD. CONNECT FRYER, ON 60A BREAKER. VERIFY CONNECTION TYPE.
- OWNER TO FURNISH AND E.C. TO INSTALL CPI ELECTRICAL /CONTROL PANEL. COORDINATE EXACT REQUIREMENTS WITH OWNER PRIOR TO BIDS.
- IRRIGATION CONTROL SYSTEM RECEPTACLE MOUNTED AS INDICATED.
- INSTALL 2" GRS CONDUIT FOR IRRIGATION SYSTEM. EXTEND ABOVE CEILING AND 5 FEET BEYOND FOUNDATION. SEE IRRIGATION PLAN IN CIVIL DRAWINGS.
- INSTALL RECEPTACLE FOR BEVERAGE BAR WITHIN CABINET.
- E.C. TO VERIFY POWER REQUIREMENTS AND PLACEMENT WITH OWNER OR OWNERS REP PRIOR TO INSTALLATION OF FIRE ALARM SYSTEM. FOLLOW MANUFACTURERS GUIDELINES FOR INSTALLATION AND WIRING.
- COORDINATE WITH OWNERS CONSTRUCTION MANAGER.
- (2) 1" CONDUIT STUBBED ABOVE CEILING TERMINATED AT (2) 2x4 J-BOX AT 18" A.F.F. PROVIDE WITH 1" KNOCKOUT GROMMET IN COVER.
- MAKE-UP TABLE PANEL, SEE QF300 FOR ADDITIONAL INFORMATION.
- DOOR BUZZER. INSTALL LOW VOLT TRANSFORMER.
- AIR CURTAIN IS MOUNTED BY M.C. & WIRED THROUGH DOOR LIMIT SWITCH BY E.C.
- PROVIDE NEMA 6-30R RECEPTACLE. COORDINATE ELECTRICAL REQUIREMENTS WITH MANUFACTURER'S RECOMMENDATIONS.
- VERIFY HAND DRYER CONNECTION REQUIREMENTS WITH MANUFACTURER'S CUT SHEET.
- CIRCUIT HOOD LIGHTS THRU CIRCUIT "A-23".
- EVAPORATOR COILS, WIRED THRU CONDENSING UNITS, VERIFY WITH W.I.C. MFG.
- HOOD FIRE SYSTEM BOX FOR CHAR-BROILER VERIFY REQUIREMENT W/ OWNER PRIOR TO INSTALLATION, PROVIDE 120V/1P CIRCUIT AS SHOWN, J-BOX @ CEILING.
- GREASE TANK POWER AND DATA CONNECTION @ 72" A.F.F., VERIFY REQUIREMENTS W/ INSTALLER.
- SIMILAR TO NOTE 27 USED FOR FRENCH FRYER/GRIDDLE.
- SIMILAR TO NOTE 27 USED FOR OVENS.
- ALL WIRING FROM CPI SWITCHGEAR SHALL BE IN EMT CONDUIT FOR FIRST 6 FEET OF THE CONDUIT RUN MINIMUM. AFTER 6 FEET, MC CABLE IS PERMITTED, AS ALLOWED BY NEC. FOR THE REMAINING LENGTH OF CIRCUIT, GC/EC SHALL GIVE ITEMIZED DEDUCTION FOR USE OF MC CABLE IN LIEU OF EMT CONDUIT.
- EQUIPMENT TO BE WIRED CONTINUOUSLY. E.C. SHALL PROVIDE FLEX CONDUIT FROM 5"-0" OF EQUIPMENT CONNECTION. PROVIDE TRANSITION FROM EMT TO FLEX CONDUIT AS REQUIRED. NO BREAKS IN WIRING ALLOWED.

- E.C. RESPONSIBLE TO SECURE AND PAY FOR ALL PERMITS, ADHERE TO ALL STATE, LOCAL AND NATIONAL ELECTRIC CODES, AND SCHEDULE INSPECTION TIMES AS TO NOT DELAY JOB PROGRESS.
- COORDINATE ALL WORK WITH OTHER TRADES TO ELIMINATE CONFLICTS ON THE JOB.
- PERFORM ALL WORK IN A NEAT AND PROFESSIONAL MANNER, AND SUPPLY ALL NEW EQUIPMENT AND ACCESSORIES.
- ALL LOW VOLTAGE AND LINE VOLTAGE WIRING TO BE IN EMT OR MC CABLE, AS ALLOWED BY N.E.C.
- REFER TO SHEET E-4 FOR CIRCUITS TO EQUIPMENT ON ROOF.
- ALL PENETRATIONS OF WALL, ROOF AND CEILINGS TO BE SEALED AS REQUIRED WITH FIRE SEALANT TO MAINTAIN FIRE RATING AS REQUIRED, VERIFY LOCATIONS W/ ARCH. FLOOR PLAN.
- MINIMUM SIZE CONDUIT TO BE 1/2" FOR INDIVIDUAL LIGHT FIXTURE CONNECTIONS, AND 3/4" FOR ALL OTHER LOCATIONS.
- FLEXIBLE CONDUIT TO BE SEAL-TITE OR APPROVED EQUAL.
- ALL WIRES AND CABLES SHALL BE SOFT-DRAWN COPPER-RATED 600 VOLTS, TYPE THHN/THWN. NO WIRE SMALLER THAN #12 AWG SHALL BE USED FOR LIGHTING OR POWER CIRCUITS. STRANDED CABLE SHALL BE USED FOR #8 AWG AND LARGER. ALL WIRING TO BE COLOR-CODED AS FOLLOWS:

120/208 VOLT SYSTEM:
NEUTRAL - WHITE
PHASE A OR L1 - BLACK
PHASE B OR L2 - RED
PHASE C OR L3 - BLUE
GROUND - GREEN
- ALL ELECTRICAL OUTLETS SHALL COMPLY WITH NEC 210.8 WHICH WILL REQUIRE ROOFS, MECH. ROOMS & KITCHEN TO BE GFCI PROTECTED. PROVIDE EITHER INDIVIDUAL GFI DEVICES OR GFI CIRCUIT BREAKERS, UNLESS SPECIFICALLY NOTED ON THE DRAWINGS OR SCHEDULES. IF OUTLETS ARE IN LOCATIONS NOT READILY ACCESSIBLE THEN THE CIRCUIT BREAKER SHALL BE GFCI & PROPERLY LABELED @ PANEL.

SCALE: 1/4"=1'-0"

CODED NOTES

GENERAL NOTES

NOTE: SEE SHEETS CPI-1.0 THRU CPI-2.3 FOR CPI INFORMATION RELATED TO WIRING OF CONTROLS & ENERGY MANAGEMENT.

NRD Project # 19187

NRD national restaurant architects & engineers

3005 CARRINGTON MILL BLVD., SUITE 150
MORRISVILLE, NORTH CAROLINA, 27560
PH: 919-344-7251 FAX: 919-344-9399

A Division of LMHT Associates

PROFESSIONAL SEAL 17561

LMHT ENGINEER LICENSE NUMBER - C-1869

Hardee's CHARITABLE CONTRIBUTION PROGRAM

HARDEE'S STANDARD PROTOTYPE
NC HWY 87 & BUFFALO RD.
CAMERON, NC 28528

BODDE-NOELL ENTERPRISES, INC.
P.O. BOX 1908
ROCKY MOUNT, NC 27802-1908
(252) 867-2800

OWNER:

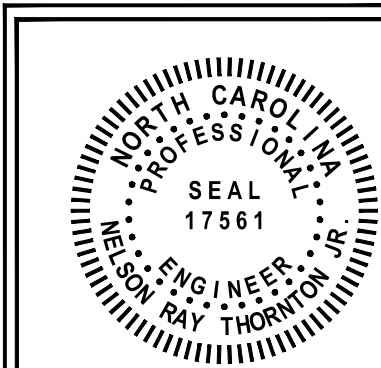
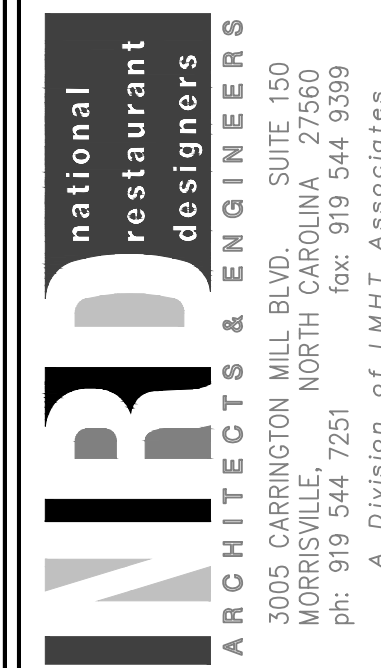
NO.	DATE	DESCRIPTION
1	9/24/20	BONE IN CHICKEN

DRAWN BY: _____ CHECKED BY: _____

ELECTRICAL POWER PLAN

DATE: 01-31-2020

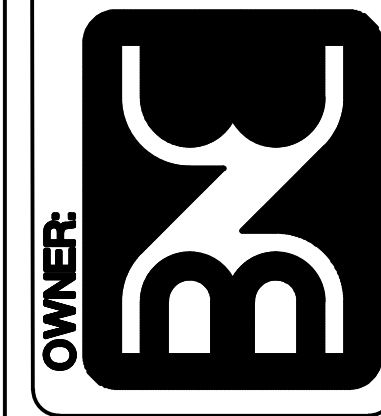
SHEET NUMBER: **E1**



LMHT ENGINEER LICENSE NUMBER - C-1869



BODDE-NOELL ENTERPRISES, INC. P.O. BOX 1908 ROCKY MOUNT, N.C. 27802-1908 (252) 867-2800



NO.	REVISIONS	DATE
1	DATE	3/24/20
2	DESCRIPTION	
3		
4		
5		
6		
7		
8		
9		
10		
11		
12		
13		
14		
15		
16		
17		
18		

DRAWN BY: CHECKED BY:

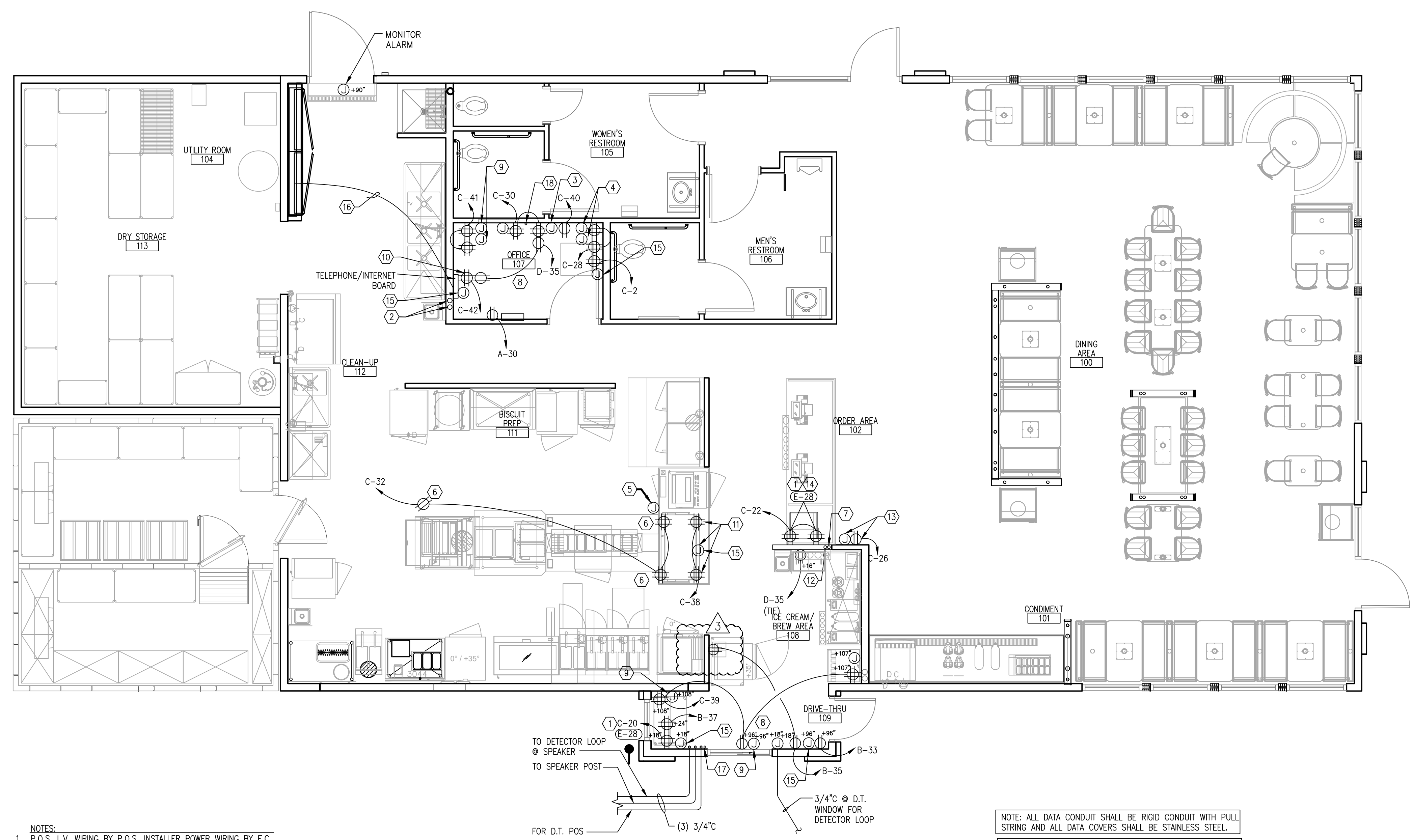
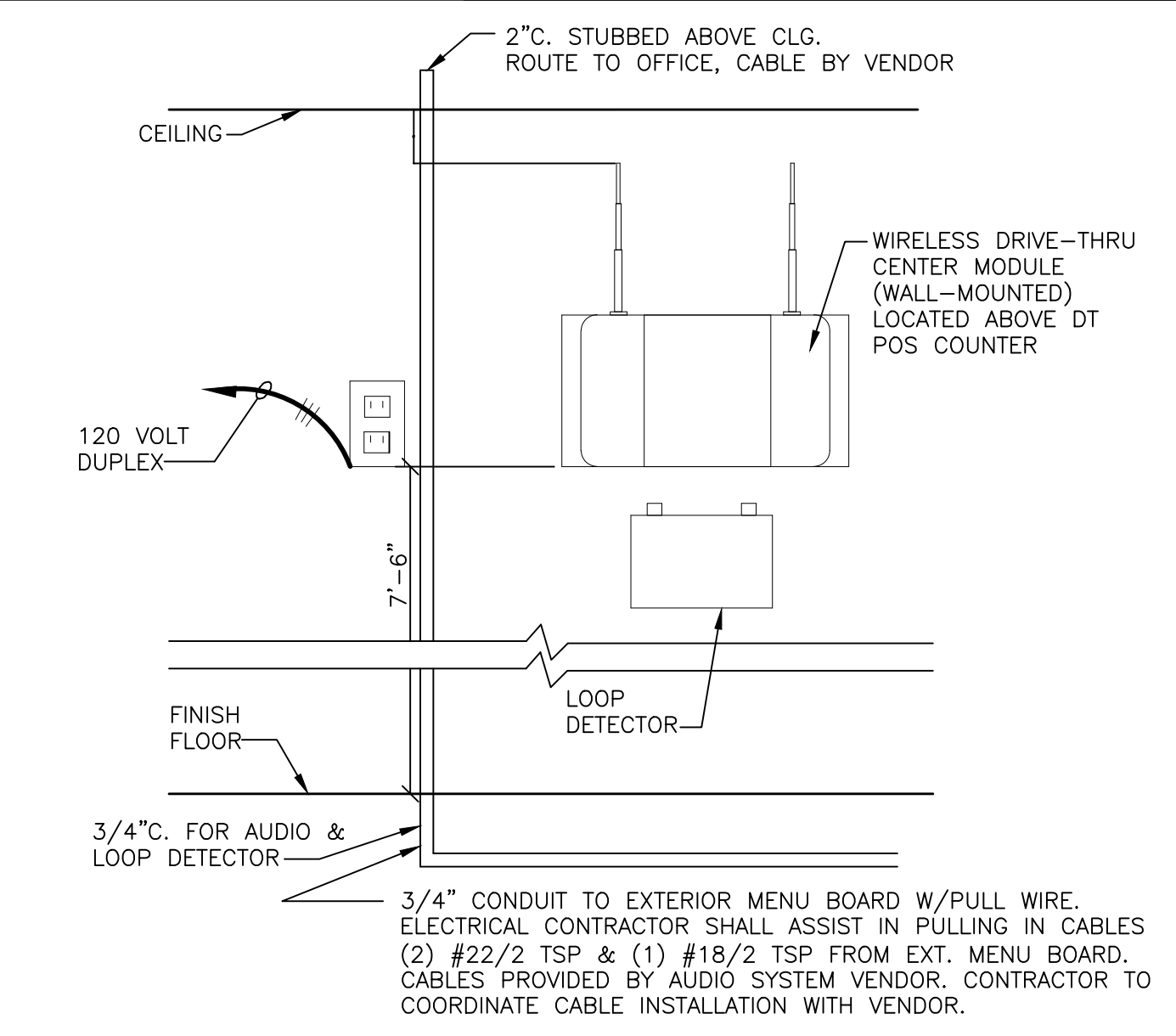
C/R SYSTEMS PLAN

DATE: 01-31-2020

SHEET NUMBER:

E1.1

ELECTRICAL LEGEND	
	120 VOLT SIMPLEX RECEPTACLE
	120 VOLT DUPLEX RECEPTACLE
	120 VOLT DUPLEX RECEPTACLE MOUNTED UNDER COUNTER
	120 VOLT DUPLEX RECEPTACLE CEILING MOUNTED
	208 VOLT, 1 OR 3 PHASE SINGLE RECEPTACLE
	208 VOLT, 3 PHASE SINGLE RECEPTACLE (TWIST LOCK)
	120 VOLT DUPLEX RECEPTACLE (WEATHER PROOF)
	120 VOLT QUAD RECEPTACLE (WEATHER PROOF)
	TELEPHONE JACK
	DATA JACK
	PHONE/DATA JACK
	MOTOR AND NON-FUSED DISCONNECT
	2-POLE WALL SWITCH
	JUNCTION BOX
	HOMERUN
	SPECIAL PURPOSE OUTLET, 208/240 VOLT AS INDICATED, GROUND TYPE



- NOTES:
- P.O.S. L.V. WIRING BY P.O.S. INSTALLER POWER WIRING BY E.C.
 - L.V. SPEAKER WIRING BY SPEAKER INSTALLER.
 - MONITOR CABLE WIRING BY MONITOR INSTALLER, POWER WIRING BY E.C.

NOTE: ALL DATA CONDUIT SHALL BE RIGID CONDUIT WITH PULL STRING AND ALL DATA COVERS SHALL BE STAINLESS STEEL.

NOTE: REFER TO PANEL SCHEDULES SHEET E3 FOR INDICATION OF WHICH CIRCUITS WILL BE CIRCUITED THROUGH THE ENERGY CONTROL PANEL.

C/R SYSTEM PLANS

SCALE: 1/4"=1'-0"

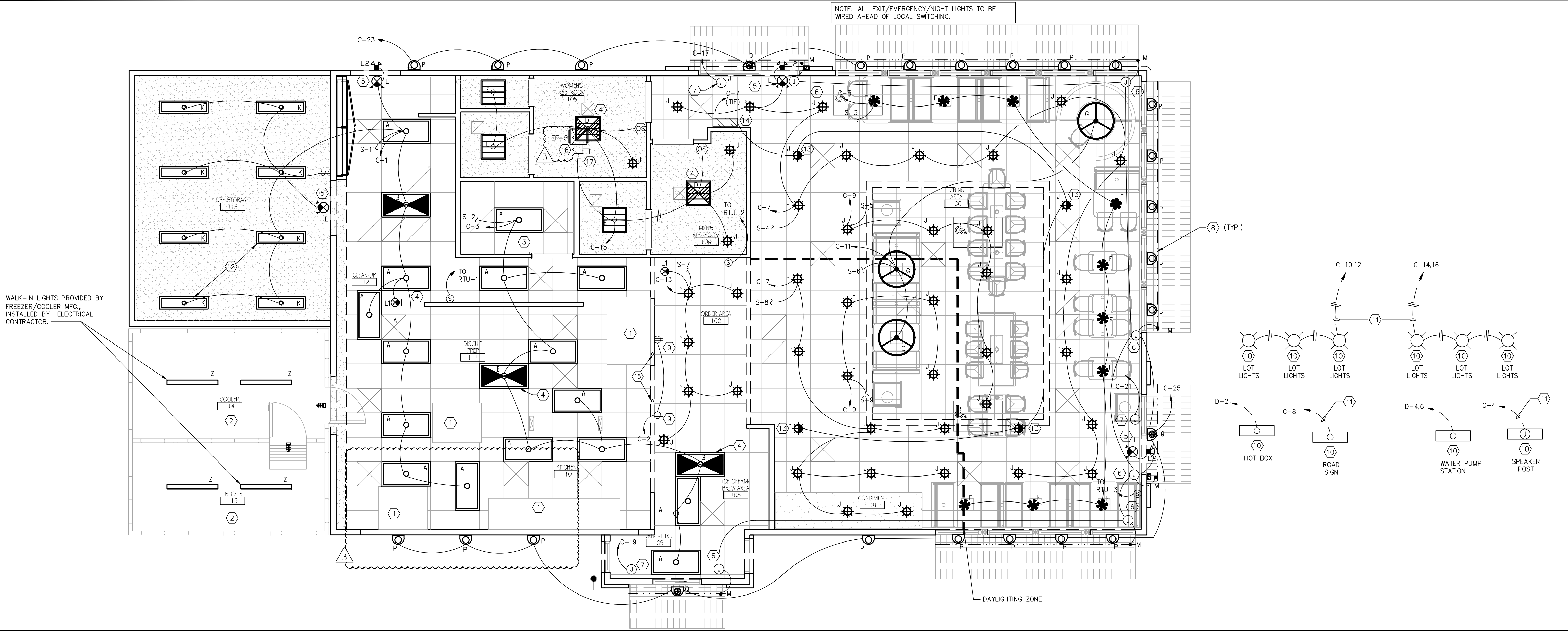
DRIVE THRU AUDIO SYSTEM DETAIL N.T.S.

- COORDINATE WITH OWNER FOR INFORMATION ON INSTALLATION AND WIRING REQUIREMENTS FOR P.O.S. COMPUTERIZED CASH REGISTER SYSTEM. INSTALLED BY ELECTRICAL CONTRACTOR. VERIFY REQUIREMENTS WITH POS SUPPLIER PRIOR TO BID.
- PROVIDE (2) 2" CONDUIT FOR TELEPHONE & HIGH SPEED INTERNET. COORDINATE STUB OUT OF WALL W/OWNER.
- 2" CONDUIT TO ABOVE CEILING FOR SPEAKER WIRING. TERMINATE IN 4 X 4 BOX WITH 2" RUBBER GROMMET HOLE IN COVER.
- SECURITY SYSTEM TO BE PROVIDED UNDER SEPARATE CONTRACT.
- INSTALL SINGLE J-BOX WITH SS COVER WITH 2" RUBBER GROMMET HOLE. EXTEND 2" CONDUIT TO ABOVE CEILING (FOR FAST TRACK TIMER). SEE AUDIO SYSTEM DETAIL THIS SHEET.
- MOUNTED IN CEILING.
- 2" CONDUIT FROM BELOW FRONT COUNTER TO ABOVE CEILING WITH PULL WIRE FOR POS WIRING.
- ELECTRICAL, DATA AND PHONE OUTLETS IN OFFICE AND DRIVE THRU ARE PROTOTYPICAL. VERIFY FINAL PLACEMENT AND MOUNTING WITH OWNERS REPRESENTATIVE PRIOR TO INSTALLATION.
- 2" CONDUITS TO ABOVE CEILING FOR POS.
- ALL POS EQUIPMENT TO BE CIRCUITED TO AN ISOLATED GROUND (IG) CIRCUIT.
- RECEPTACLE AND J-BOX TO BE MOUNTED TO BACKSIDE OF BAFFLE WALL AS SHOWN.
- (2) 1" CONDUIT STUBBED ABOVE CEILING TERMINATED AT (2) 2x4 J-BOX AT 18" A.F.F. PROVIDE WITH 1" RUBBER GROMMET HOLE IN COVER.
- MOUNT 6" BELOW CEILING FOR SECURITY CAMERA.
- MOUNT ON WALL ADJACENT TO COUNTER STRUCTURE, COORDINATE W/OWNER.
- E.C SHALL INSTALL 4" X 4" J-BOX WITH A STAINLESS STEEL COVER WITH 2" RUBBER GROMMET HOLE AND EMPTY 2" CONDUIT WITH PULL STRING IN WALL TO 6" ABOVE CEILING FOR ROUTING OF DATA AND HDMI CABLES AS REQUIRED. SEE DIGITAL MENU BOARD DETAIL ON SHEET E2 FOR MENU BOARD BAFFLE WALL LOCATION.
- PULL #6 INSULATED COPPER GROUND ABOVE OFFICE CEILING FROM PHONE BOARD TO GROUND BUSS IN CPI PANEL.
- PROVIDE 1" EMPTY CONDUIT WITH PULL STRING AT 72" AFF. (NO J-BOX) FOR BUMP BAR.
- PROVIDE 3/4" EMPTY CONDUIT WITH PULL STRING AT 26" AFF.(NO J-BOX) FOR SECURITY.

NOTE: SEE SHEETS CPI-1.0 THRU CPI-2.3 FOR CPI INFORMATION RELATED TO WIRING OF CONTROLS & ENERGY MANAGEMENT.

CODED NOTES

NO.	REVISIONS	DESCRIPTION	DATE
1	DATE	9/24/20	
2	DESCRIPTION		
3	NO.	BONE IN CHICKEN	
4	DATE		
5	DESCRIPTION		
6	NO.		
7	DATE		
8	DESCRIPTION		
9	NO.		
10	DATE		
11	DESCRIPTION		
12	NO.		
13	DATE		
14	DESCRIPTION		
15	NO.		
16	DATE		
17	DESCRIPTION		

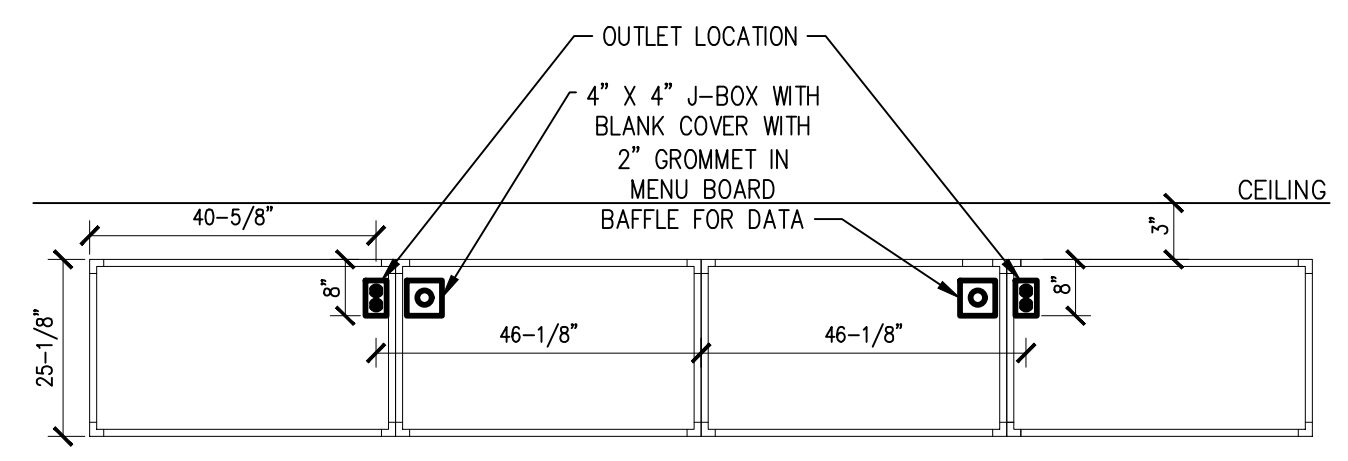


LIGHTING PLAN

SCALE: 1/4"=1'-0" 1

LIGHTING FIXTURE SCHEDULE							
FIXTURE TYPE	SYMBOL	DESCRIPTION	MANUFACTURER & MODEL NUMBER	LAMP TYPE	LAMP WATTAGE	REMARKS	GENERAL NOTE
A	[Symbol]	2x4' Lx4" IN LED W/ PRISMATIC LENS LED LAMP TRAFFIC W/ REFLECTOR AND DRIVER	SECURITY LITG. (COLUMBIA) LIT24-40MLG-PSA12 EU	LED	52W	G.C. TO ORDER APPROPRIATE MOUNTING HARDWARE AS REQUIRED FOR PROPER CEILING INSTALLATION.	
B	[Symbol]	SIMILAR TO "A" W/ BUILT INVERTORS FOR EMERGENCY LIGHTING.	SECURITY LITG. (COLUMBIA) LIT24-40MLG-PSA12 EU W/ ELL14	LED	52W		
D	[Symbol]	2x2' RECESSED LED W/ PRISMATIC LENS LED LAMP FIXTURE W/ ENHANCED ALUM REFLECTOR W/ INVERTER FOR EMERGENCY LIGHTING.	SECURITY LITG. (COLUMBIA) LIT22-40MLG-PSA12 EU W/ ELL14	LED	35W		LOOKS LIKE GRID & LOT. NOT W/ HORIZONTAL SCREEN.
E	[Symbol]	SIMILAR TO "D" W/ OUT INVERTER	SECURITY LITG. (COLUMBIA) LIT22-40MLG-PSA12 EU	LED	35W		LOOKS LIKE GRID & LOT. NOT W/ HORIZONTAL SCREEN.
F	[Symbol]	PENDANT FIXTURE	SECURITY LITG. (COLUMBIA) 23451 AUL OPL	LED	6W	HELIX PENDANT OPAL LESS TRAP	
G	[Symbol]	PENDANT FIXTURE	SECURITY LITG. (COLUMBIA) L04-46-308ED-85-GEN3	LED	27W	LARGE DRUM PENDANT WITH 1/8"X30" DIA. SHADE, WITH 8 LED LAMPS 3500K	
J	[Symbol]	RECESSED LED DOWN LIGHT	SECURITY LITG. (COLUMBIA) F156LUD1-K-35K-8-WH1 DBVCL	LED	12W	PROVIDE WHITE TRIMS & BLACK TRIMS FOR THE WHITE CLG. & BLACK CLG.'S	DINING ROOM CEILING
K	[Symbol]	DRY STORAGE/OUTLET AREA - 1/4"X4" RECESSED LED	SECURITY LITG. (COLUMBIA) LIT14-40MLG-PSA12F-EQU-WP	LED	26W	GYP. BOARD MOUNTING KIT 1/4" RECESSED LED WITH WHP	
L	[Symbol]	EMERGENCY SIGN LIGHT COMBO W/ REMOTE OUTDOOR FIXTURE	SECURITY LITG. (COLUMBIA) EVLUR804	LED	3.65W	EMERGENCY COMBO SIGN SHALL BE WHITE	
L1	[Symbol]	EXIT SIGN	SECURITY LITG. (COLUMBIA) EVLUR804	LED	1.42W	EXIT LIGHT SHALL BE WHITE	
L2	[Symbol]	REMOTE OUTDOOR DUAL HEAD EMERGENCY LIGHT FIXTURE	SECURITY LITG. (COLUMBIA) EVLUR804	LED	6W	REMOTE FIXTURE SHALL BE BLACK.	
M	[Symbol]	AWNING LED	---	---	---	LED SUPPLIED W/ AWNING. G.C. TO SUPPLY/CONNECT POWER.	
P	[Symbol]	AWNING UPLIGHT & DOWNLIGHT	SECURITY LITG. (COLUMBIA) FMS5C-72L-56-LED-U-BK	LED	25W	WALL SCONCE, UPDOWN LIGHTING, 25 WATT, BLACK FINISH	
Q	[Symbol]	AWNING DOWNLIGHT ONLY	SECURITY LITG. (COLUMBIA) FMS5C-36L-56-LED-U-BK	LED	14W	WALL SCONCE, DOWN LIGHTING, 14 WATT, BLACK FINISH	
T1	[Symbol]	SITE LIGHT	---	---	---	---	SEE CIVIL DWGS. FOR LOCATION
T2	[Symbol]	SITE LIGHT	---	---	---	---	SEE CIVIL DWGS. FOR LOCATION
Z	[Symbol]	FREEZER LIGHTS-VAPOR TYPE	SEE REMARKS	FLOOR	64W	FIXTURES AND LAMPS PROVIDED BY MFG. - INSTALLATION BY G.C.	

LIGHT FIXTURE SCHEDULE



DIGITAL MENU BOARD OUTLET LOCATIONS

46-1/8" 46-1/8" 46-1/8"

40-5/8" 25-1/8"

OUTLET LOCATION

4" X 4" J-BOX WITH BLANK COVER WITH 2" GROMMET IN MENU BOARD BAFFLE FOR DATA

CEILING

MENU BOARD DETAIL
 INSTALL TWO OUTLETS, ONE 46-1/8" FROM THE CENTER ON EACH SIDE AND 8" FROM THE TOP OF THE DISPLAY. (MENU BOARD OUTLETS SHALL BE 360 ELECTRICAL #36010 ROTATING DUPLEX OUTLET)

E.C. SHALL INSTALL 4" X 4" J-BOX WITH A STAINLESS STEEL COVER WITH 2" GROMMET HOLE AND EMPTY 2" CONDUIT WITH PULL STRING IN MENU BOARD BAFFLE WALL TO 6" ABOVE CEILING FOR ROUTING OF DATA AND HDMI CABLES AS REQUIRED.

LIGHT SWITCH SCHEDULE (3)		
LIGHT SWITCH	LIGHT CIRCUIT	LOCATION SERVED
S-1	C-1	KITCHEN AREAS
S-2	C-3	KITCHEN AREAS
S-3	C-5	DINING PENDANTS
S-4	C-7	DOWN LIGHTS-DINING (DAYLIGHT ZONE)
S-5	C-9	DOWN LIGHTS-DINING (DAYLIGHT ZONE)
S-6	C-11	LARGE DINING PENDANTS
S-7	C-13	DOWNLIGHTS
S-8	C-7	DOWN LIGHTS-DINING
S-9	C-9	DOWN LIGHTS-DINING

*E.C. SHALL PROPERLY LABEL SWITCH BANK WITH LOCATION SERVED BY EACH SWITCH.

LIGHT SWITCH SCHEDULE

- NOTES:**
- CONNECT CIRCUIT TO EXHAUST HOOD LIGHTS AND PROVIDE FLAME-GARD LED HOOD LAMPS OR APPROVED EQUAL. SEE SHEET E4 FOR FAN CIRCUITRY, CIRCUIT A-23 (HOOD LIGHTS)
 - SEE SHEET E1 FOR WALK-IN BOX LIGHTING CIRCUITS.
 - ALL WALL SWITCHES SHALL BE TOTALLY ENCLOSED TYPE RATED AT 20 AMPS, 120/277 VOLTS, BRYANT #4901 OR EQUAL W/ STAINLESS STEEL COVER PLATE. LABEL LOCATION SERVED WITH A PLASTIC LAMINATED LABEL. SEE "LIGHT SWITCH SCHEDULE" THIS SHEET.
 - NIGHT LIGHT - LAMPS TO REMAIN ON @ ALL TIMES. CONNECT EMERGENCY BALLAST TO UNSWITCHED CONDUCTORS.
 - CONNECT TO UNSWITCHED CONDUCTORS.
 - J-BOX ABOVE CEILING W/ 1/2" CONDUIT THRU WALL FOR CONNECTION TO LED LIGHTING @ BUILDING AWNINGS. SIGN COMPANY TO RUN LED LIGHTING INTO J-BOXES.
 - WEATHERPROOF JUNCTION BOX FOR BUILDING SIGNS MOUNTED @ LOCATION AS DIRECTED BY SIGN INSTALLER, FURNISH DISCONNECT AS REQUIRED WIRED THRU INTEGRATED CONTROL PANEL.
 - LED LIGHTING FURNISHED W/ AWNINGS.
 - FOR INTERIOR MENU BOARD, VERIFY LOCATION WITH OWNER'S REPRESENTATIVE & SEE DETAIL THIS SHEET.
 - SEE SITE PLAN FOR EXACT LOCATION.
 - #8'S, 1" C MINIMUM.
 - COORDINATE W/ ROOF STRUCTURE
 - EMERGENCY/ NIGHT LIGHTS TO BE WIRED TO RECESSED INVERTER, WIRE PER MFG.
 - RECESSED INVERTER FOR EMERGENCY/ NIGHT LIGHTS IN DINING ROOM AREA. WIRE PER MFG.
 - PROVIDE 2" EMPTY CONDUITS WITH J-BOX WITH STAINLESS STEEL COVER PLATE WITH 2" RUBBER GROMMET HOLE ADJACENT TO OUTLETS FOR CABLING. VERIFY W/ OWNER PRIOR TO INSTALLATION.
 - TOILET EXHAUST FAN TO BE CONTROLLED BY OCCUPANCY SENSOR IN RESTROOMS. FURNISH NECESSARY RELAY & CONTACTORS FOR COMPLETE OPERATION
 - DISCONNECT SWITCH PROVIDED WITH FAN.
 - OCCUPANCY SENSOR - MOUNT @ 54" A.F.F., FURNISHED BY CPI & INSTALLED BY E.C. SEE SHEET OPT SHEETS (CPI 2 & 3) FOR WIRING DIAGRAMS.
- GENERAL NOTES:**
- NO EXTERIOR J-BOXES ON POLE LIGHTS, COORDINATE WITH MFG. ON PLACEMENT IN POLE BASE
- POLE LIGHT ANCHOR BOLTS SHALL BE BONDED WITH REBAR IN POLE BASE FOR LIGHTNING PROTECTION PER NEC AND NFPA 780. COORDINATE WITH CIVIL DRAWINGS.

SHEET NOTES

NOTE: SEE SHEETS CPI-1.0 THRU CPI-2.3 FOR CPI INFORMATION RELATED TO WIRING OF CONTROLS & ENERGY MANAGEMENT.

CKT. #	DESCRIPTION	NOTE	BREAKER POLE	AMP.	LOAD (KVA)	A	B	C	LOAD (KVA)	BREAKER AMP.	POLE	NOTE	DESCRIPTION	CKT. #	
1	E12 - ICE CREAM 1	#4	1	20	0.20	1.1			0.90	20	1	#4	E31 - WORKTOP COOLER	2	
3	E54 - FRENCH FRY WARMER	#4	1	20	1.92		2.4		0.50	20	1	#4	E10 - REC - CONVENIENCE	4	
5	E93-SODA SYSTEM	#4	1	20	1.92		2.7		0.76	20	1	#4	E53 - WORK TOP FREEZER	6	
7	E-CO1 - REC - CONVENIENCE	#4	1	20	0.36	1.1			0.72	20	1	#4	USB OUTLETS @ DINING	8	
9	E19 - ICE/SODA DISPENSER	#4	1	20	0.76		1.3		0.50	20	1	#4	E82 - BISCUIT FLOUR HOOD	10	
11	E8 - ICE/SODA DISPENSER	#4	1	20	0.76			1.7	0.96	20	1	#4	E40 - REACH-IN REFRIGERATOR	12	
13	E37/E38 (3) TIMERS	#4	1	20	0.50	1.7			1.16	20	1	#4	E49 - UC REFRIG/FREEZER	14	
15	E29 - TRANSFER TABLE LOAD CENTER	#2	1	100	5.03		5.7		0.63	20	1	#4	E11 - DRINK MIXER	16	
17	2#1, #8 G. in (1) 1-1/2" C. EA				5.03				0.63	20	1	#4	E11 - DRINK MIXER	18	
19	E60 - MAKE UP TABLE LOAD CENTER	#2	1	125	7.82	9.3			1.44	20	1	#4	E67/E7 - ICE CUBER W/ REMOTE	20	
21	2#1, #6 G. in (1) 1-1/2" C. EA				7.82		9.3		1.50	20	1	#5	E102 - HAND DRYER	22	
23	E51/E57/E88/E45 - HOOD LIGHTS	#1	1	20	1.50			3.0	1.50	20	1	#5	E102 - HAND DRYER	24	
25	E59 - SLIDE TOP FREEZER	#4	1	20	0.69	1.0			0.36	20	1	#4	REC - UTILITY ROOM	26	
27	SPARE						0.5		0.50	20	1	#5	JB - DRIVE THRU WINDOW	28	
29	E15 CHICKEN HOLDING CABINET	#4,6	1	25	2.10				0.50	20	1	#2	JB - SECURITY/FA CABINET	30	
31	E99 - HOT WATER DISPENSER	#4	1	25	2.03	2.4			0.36	20	1	#4	REC - BUG LIGHTS	32	
33	2#10, #10 G. in (1) 3/4" C. EA				2.03		4.0		1.92	20	1	#4	E62 - MICROWAVE OVEN	34	
35	E22 - UNDERCOUNTER COOLER	#4	1	20	0.40				2.5	2.10	30	2	#4	E4 - COFFEE BREWER	36
37	E42 - REACH-IN REFRIG.	#4	1	20	0.96	3.1			2.10	30	2	#4	E4 - COFFEE BREWER	38	
39	REC - SHOW WINDOW	#4	1	20	1.08				3.2	2.10	30	2	#4	E4 - COFFEE BREWER	40
41	E-42 CHICKEN BREADER	#4	1	20	1.92				4.0	2.10	30	2	#4	E4 - COFFEE BREWER	42
						19.6	26.3	22.2	TOTAL KVA PER PHASE						

VOLTAGE	208Y/120V	LOCATION	SEE PLAN
PHASE	3	MOUNTING	SURFACE
WIRE	4	FEEDER	SEE SHOP DRAWINGS
MAINS	MLO	MIN AIC	65K

WITH I.G. BAR	NO	ITEMS	CON.	%	DEM.
		RECEPTACLES	3.0	code	3.0
		KITCHEN	59.6	65%	38.7
		HVAC	0.0	100%	0.0
		LIGHTS (INT.)	0.0	125%	0.0
		LIGHTS (EXT.)	0.0	125%	0.0
		MISC.	5.4	100%	5.4
		TOTAL KVA	68.0		47.2
		TOTAL AMPS	188.8		131

- NOTES:
- 1) RUN THRU BUILDING CONTROL PANEL
 - 2) PROVIDE LOCK-ON BREAKER
 - 3) RUN THRU BUILDING CONTROL PANEL FOR SHUNT TRIP PROTECTION
 - 4) GFI BREAKER.
 - 5) PROVIDE LOCKABLE BREAKER PER NEC 422.31(B).
 - 6) 2#10, 1#10G in 3/4" C.

CKT. #	DESCRIPTION	NOTE	BREAKER POLE	AMP.	LOAD (KVA)	A	B	C	LOAD (KVA)	BREAKER AMP.	POLE	NOTE	DESCRIPTION	CKT. #	
1	EF-1 FLA: 1.9	#2	3	15	0.23	3.1			2.88	30	3	#2,4	E87 - CONV. OVEN	2	
3	3#12, #12 G. in (1) 3/4" C. EA				0.23		1.7		1.44	30	3	#2,4	3#10, #10 G. in (1) 3/4" C. EA	4	
5					0.23			2.0	1.80	30	3	#2,4	E87 - CONV. OVEN	6	
7	EF-2 FLA: 1.9	#2	3	15	0.23	3.1			2.88	30	3	#2,4	E87 - CONV. OVEN	8	
9	3#12, #12 G. in (1) 3/4" C. EA				0.23		1.7		1.44	30	3	#2,4	3#10, #10 G. in (1) 3/4" C. EA	10	
11					0.23			2.0	1.80	30	3	#2,4	E85 - CONV. OVEN	12	
13	EF-3 FLA: 2.5	#2	3	15	0.30	3.2			2.88	30	3	#2,4	E85 - CONV. OVEN	14	
15	3#12, #12 G. in (1) 3/4" C. EA				0.30		1.7		1.44	30	3	#2,4	3#10, #10 G. in (1) 3/4" C. EA	16	
17					0.30			2.1	1.80	30	3	#2,4	E36 - GRIDDLE	18	
19	E70 - WALK-IN FRZR. COMP. (2 HP)	#1	3	20	1.52	6.3			4.75	50	3	#2,4	E36 - GRIDDLE	20	
21	3#12, #12 G. in (1) 3/4" C. EA				1.52		6.3		4.75	50	3	#2,4	3#6, #10 G. in (1) 1" C. EA	22	
23					1.52			6.3	4.75	50	3	#2,4	E36 - GRIDDLE	24	
25	E65 - WALK-IN CLR. COMP. (2 HP)	#1	3	20	1.14	1.5			0.35	15	3	#1	EF-4 FLA: 2.9	26	
27	3#12, #12 G. in (1) 3/4" C. EA				1.14		1.5		0.35	15	3	#1	3#12, #12 G. in (1) 3/4" C. EA	28	
29					1.14			1.5	0.35	15	3	#1	3#12, #12 G. in (1) 3/4" C. EA	30	
31	E96 - INSECT CONTROL FAN		1	20	0.90	8.9			8.00	30	3	#2,4	E36 - GRIDDLE	32	
33	REC - DRIVE THRU AUDIO SYSTEM		1	20	0.50				8.5	8.00	30	3	#2,4	3#2, #8 G. in (1) 1-1/4" C. EA	34
35	REC - DRIVE THRU OUTLET		1	20	0.50				8.5	8.00	30	3	#2,4	3#2, #8 G. in (1) 1-1/4" C. EA	36
37	REC - DRIVE THRU AUDIO SYSTEM		1	20	1.00	1.1			0.10	20	3	#3	ADM - 1204 VOLTAGE READING FOR KW DATA	38	
39	SPARE								0.10	20	3	#3	ADM - 1204 VOLTAGE READING FOR KW DATA	40	
41	SPARE								0.10	20	3	#3	ADM - 1204 VOLTAGE READING FOR KW DATA	42	
						19.6	21.4	22.5	TOTAL KVA PER PHASE						

VOLTAGE	208Y/120V	LOCATION	SEE PLAN
PHASE	3	MOUNTING	SURFACE
WIRE	4	FEEDER	SEE SHOP DRAWINGS
MAINS	MLO	MIN AIC	65K

WITH I.G. BAR	NO	ITEMS	CON.	%	DEM.
		RECEPTACLES	2.0	code	2.0
		KITCHEN	40.6	65%	26.4
		HVAC	3.3	100%	3.3
		LIGHTS (INT.)	0.0	125%	0.0
		LIGHTS (EXT.)	0.0	125%	0.0
		MISC.	25.2	100%	25.2
		TOTAL KVA	71.1		56.9
		TOTAL AMPS	197.3		158

- NOTES:
- 1) HACR TYPE BREAKER
 - 2) RUN THRU BUILDING CONTROL PANEL
 - 3) REQUIRED CIRCUITS FOR CONNECTION TO CPI ENERGY MANAGEMENT SYSTEM.
 - 4) GFI BREAKER.

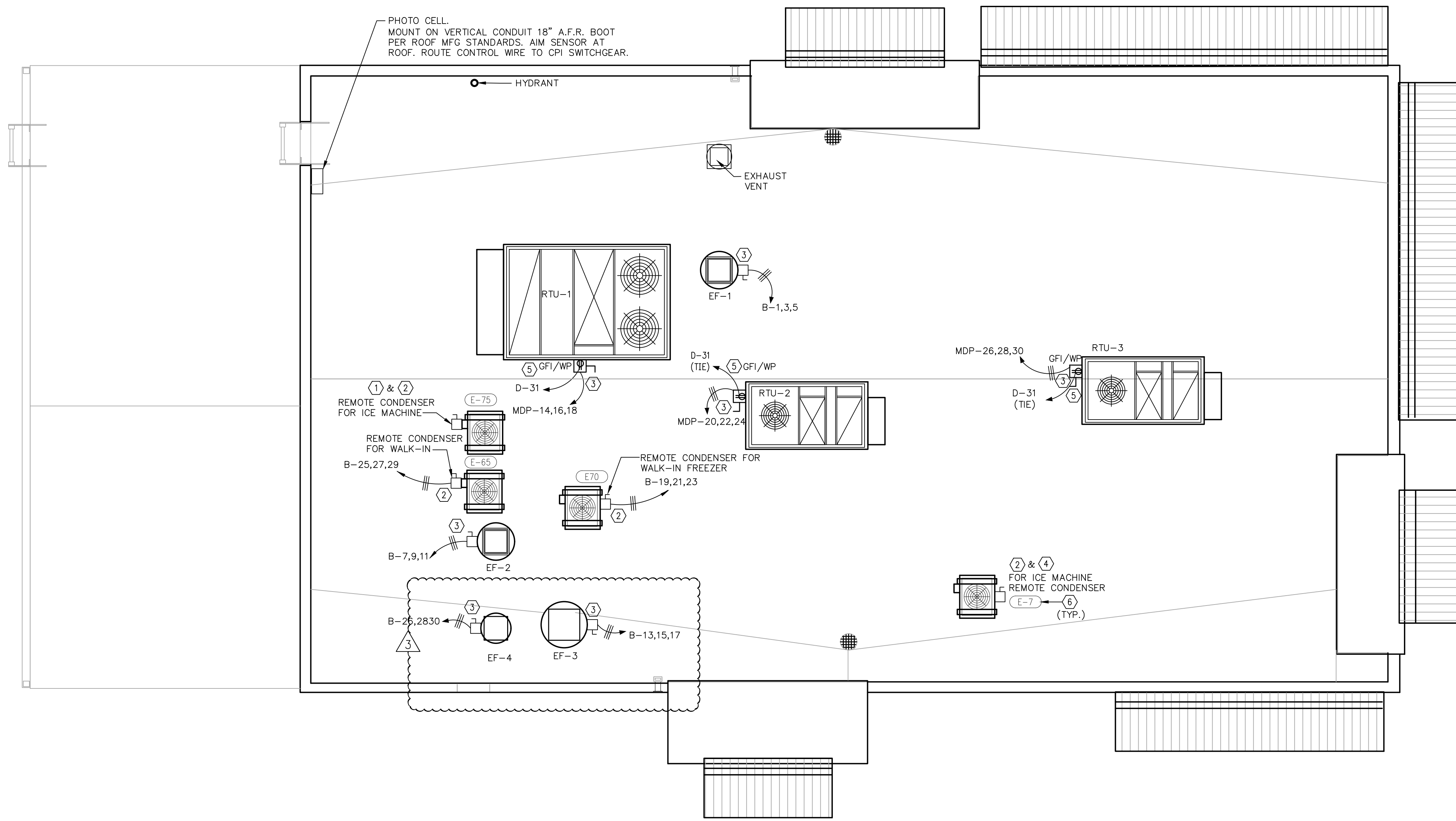
CKT. #	DESCRIPTION	NOTE	BREAKER POLE	AMP.	LOAD (KVA)	A	B	C	LOAD (KVA)	BREAKER AMP.	POLE	NOTE	DESCRIPTION	CKT. #	
1	LTG - KITCHEN/STORAGE		1	20	0.62	1.3			0.72	20	1	#6	REC - INTERIOR MENU BOARDS	2	
3	LTG - KITCHEN/OFFICE		1	20	0.68				1.08	20	1	#1,3	JB - SPK POST/OCB	4	
5	LTG - DINING PENDANTS		1	20	0.06			0.1	1.20	20	1	#3,5	LTG - ROAD SIGN	6	
7	LTG - DINING DOWNLIGHTS		1	20	0.38	1.6			0.55	20	2	#3	LTG - EXTERIOR SITE	8	
9	LTG - DINING (LARGE) PENDANTS		1	20	0.14			0.7	0.55	20	2	#3	LTG - EXTERIOR SITE	10	
11	LTG - DINING (LARGE) PENDANTS		1	20	0.08				0.6	0.55	20	2	#3	2#8, #10 G. in (1) 3/4" C. EA	12
13	LTG - ORDER AREA		1	20	0.07			0.6	0.55	20	2	#3	LTG - EXTERIOR SITE	14	
15	LTG - RR & EF-5	FLA: 3.7	1	20	0.62				1.2	0.55	20	1	#1	2#8, #10 G. in (1) 3/4" C. EA	16
17	JB - SIDE BUILDING SIGNAGE	#3,5	1	20	1.20				1.7	0.50	20	1	#1	GREASE TANK	18
19	JB - SIDE BUILDING SIGNAGE	#3,5	1	20	1.20		2.3		1.10	20	1	#6	E28 - POS SYSTEM	20	
21	JB - FRONT BUILDING SIGNAGE	#3,5	1	20	1.20			2.3	1.10	20	1	#6	E28 - POS SYSTEM	22	
23	LTG - AWNING/CANOPY	#3	1	20	0.36			1.4	1.08	20	1	#4	REC - DINING	24	
25	LTG - AWNING/CANOPY	#3	1	20	0.68	0.9			0.18	20	1	#4	REC - SECURITY/AUDIO	26	
27	JB - MENU BOARD/PREVIEW BOARD	#1,3	1	20	1.00				0.72	20	1	#4	REC - SECURITY CAMERAS	28	
29	SPARE								0.7	0.72	20	1	#4	REC - OFFICE	30
31	REC - IRRIGATION SYSTEM	#1,2	1	20	0.36	1.3			0.90	20	1	#4	REC - CLG @ KITCHEN	32	
33	JB - WALK-IN HT TAPE/LIGHTS		1	20	1.32			1.8	0.50	20	1	#4	HVAC CONTROLS (AS NEEDED)	34	
35	JB - DOOR BUZZER		1	20	0.30				0.8	0.50	20	1	#4	HOOD CONTROLS (AS NEEDED)	36
37	REC - OUTLETS AT TRASH	#2	1	20	0.36	1.1			0.72	20	1	#6	REC - KITCHEN	38	
39	REC - DRIVE-THRU	#6	1	20	0.90				1.1	0.18	20	1	#6	REC-OFFICE	40
41	REC-OFFICE	#6	1	20	0.72				1.1	0.36	20	1	#6	REC - TELEPHONE BOARD	42
						9.1	10.5	6.4	TOTAL KVA PER PHASE						

VOLTAGE	208Y/120V	LOCATION	SEE PLAN
PHASE	3	MOUNTING	SURFACE
WIRE	4	FEEDER	SEE SHOP DRAWINGS
MAINS	MLO	MIN AIC	65K

WITH I.G. BAR	YES	ITEMS	CON.	%	DEM.
		RECEPTACLES	6.5	code	6.5
		KITCHEN	0.0	65%	0.0
		HVAC	0.0	100%	0.0
		LIGHTS (INT.)	2.7	125%	3.3
		LIGHTS (EXT.)	8.1	125%	10.1
		MISC.	8.8	100%	8.8
		TOTAL KVA	26.0		28.7
		TOTAL AMPS	72.2		79.7

- NOTES:
- 1) PROVIDE LOCKABLE BREAKER PER NEC 422.31(B).
 - 2) GFI BREAKER
 - 3) RUN THRU BUILDING CONTROL PANEL
 - 4) PROVIDE LOCK-ON BREAKER
 - 5) PROVIDE LOCKABLE BREAKER PER NEC 600.6
 - 6) I.C. CIRCUIT

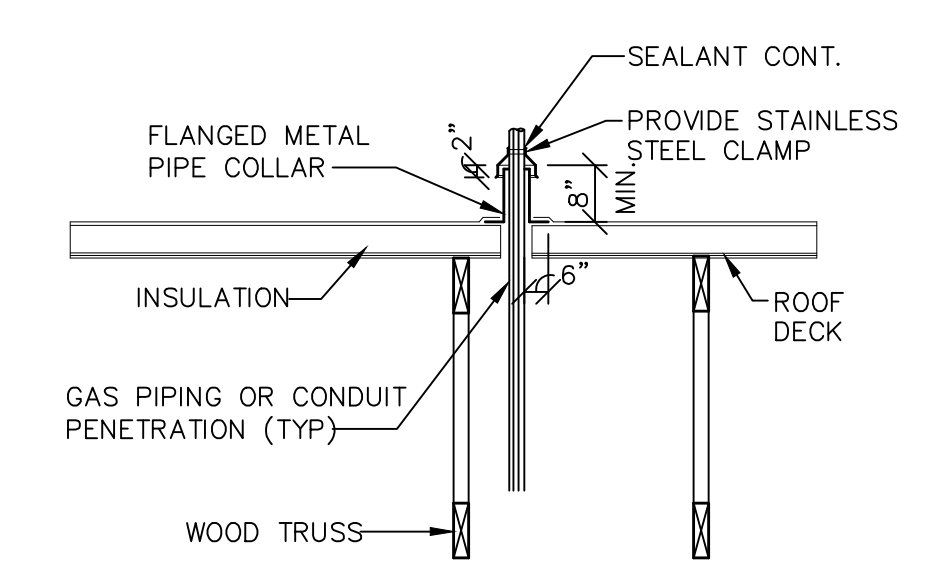
CKT. #	DESCRIPTION	NOTE	BREAKER POLE	AMP.	LOAD (KVA)	A	B	C	LOAD (KVA)	BREAKER AMP.	POLE	NOTE	DESCRIPTION	CKT. #
1	E-50 FRYER BATTERY	#2,4	3	60	5.76	6.3			19.6	20	1	#3	HOT BOX	2
3	3#4, #10 G. in (1) 1-1/4" C. EA				5.76		7.0		1.24	20	2	#3	WATER PUMP STATION	4
5					5.76			7.0	1.24	20	2	#3	2#12, #12 G. in (1) 3/4" C. EA	6
7	E-50 F													



ROOF POWER PLAN

SCALE: 1/4"=1'-0" 1

NOTE: SEE SHEETS CPI-1.0 THRU CPI-2.3 FOR CPI INFORMATION RELATED TO WIRING OF CONTROLS & ENERGY MANAGEMENT.



PIPE SEAL THRU ROOF

N.T.S. 3 SHEET NOTES

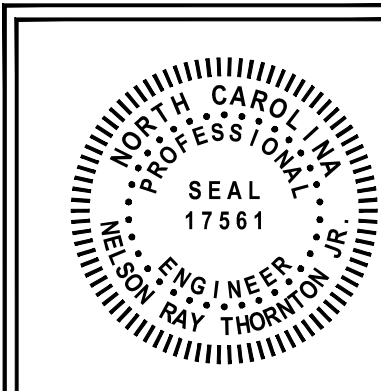
- NOTES:**
- ① ICE MACHINE CONDENSER POWERED FROM ICE MACHINE IN KITCHEN.
 - ② E.C. TO FURNISH & INSTALL NEMA 3R WEATHERPROOF DISCONNECT.
 - ③ NEMA 3R DISCONNECT SWITCH FURNISHED W/ EQUIPMENT.
 - ④ ICE MACHINE CONDENSER POWERED FROM ICE MACHINE ON BEVERAGE TOWER AT SELF SERVE BAR.
 - ⑤ WP/ GFCI 20A DUPLEX FACTORY INSTALLED W/ RTU, E.C. TO PROVIDE WIRING.
 - ⑥ EQUIPMENT TAGS, SEE QF100 & QF300 FOR ADDITIONAL INFORMATION

GENERAL NOTE:

- ROOFTOP RECEPTACLES REQUIRED WITHIN 25' OF MECHANICAL EQUIPMENT.

NO.	REVISIONS	DESCRIPTION	DATE
1	DATE		9/24/20
2	DESCRIPTION		
3	DESCRIPTION	BONE IN CHICKEN	

DRAWN BY	CHECKED BY
ROOF POWER PLAN	
DATE:	01-31-2020
SHEET NUMBER:	E4



LMHT ENGINEER LICENSE NUMBER - C-1869

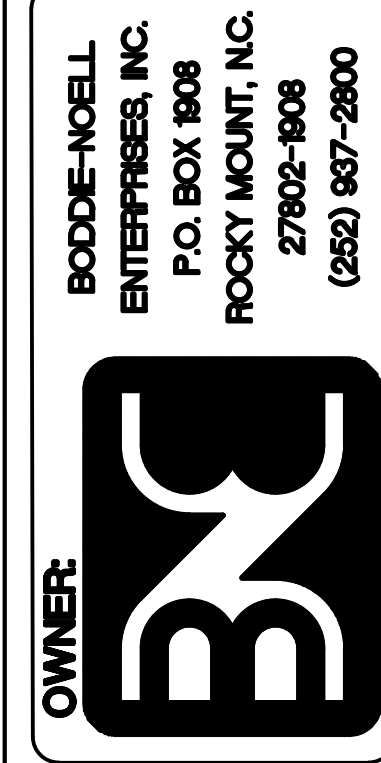


Table with 2 columns: NO., REVISIONS (DESCRIPTION, DATE)

VOLTAGE DROP CALCULATION DATE: 01-31-2020 SHEET NUMBER: E7

VOLTAGE DROP CALCULATIONS - PANEL 'A'

Table with 11 columns: Circuit #, Load (kW), Load (A), Load Type, Sets of Wires, Length, Voltage, Wire Size, Wire Type, Conduit Type, Z (Ω/ft), % Voltage Drop

VOLTAGE DROP CALCULATIONS - PANEL 'B'

Table with 11 columns: Circuit #, Load (kW), Load (A), Load Type, Sets of Wires, Length, Voltage, Wire Size, Wire Type, Conduit Type, Z (Ω/ft), % Voltage Drop

VOLTAGE DROP CALCULATIONS - PANEL 'C'

Table with 11 columns: Circuit #, Load (kW), Load (A), Load Type, Sets of Wires, Length, Voltage, Wire Size, Wire Type, Conduit Type, Z (Ω/ft), % Voltage Drop

VOLTAGE DROP CALCULATIONS - PANEL 'D'

Table with 11 columns: Circuit #, Load (kW), Load (A), Load Type, Sets of Wires, Length, Voltage, Wire Size, Wire Type, Conduit Type, Z (Ω/ft), % Voltage Drop

VOLTAGE DROP CALCULATIONS - PANEL 'MDP'

Table with 11 columns: Circuit #, Load (kW), Load (A), Load Type, Sets of Wires, Length, Voltage, Wire Size, Wire Type, Conduit Type, Z (Ω/ft), % Voltage Drop