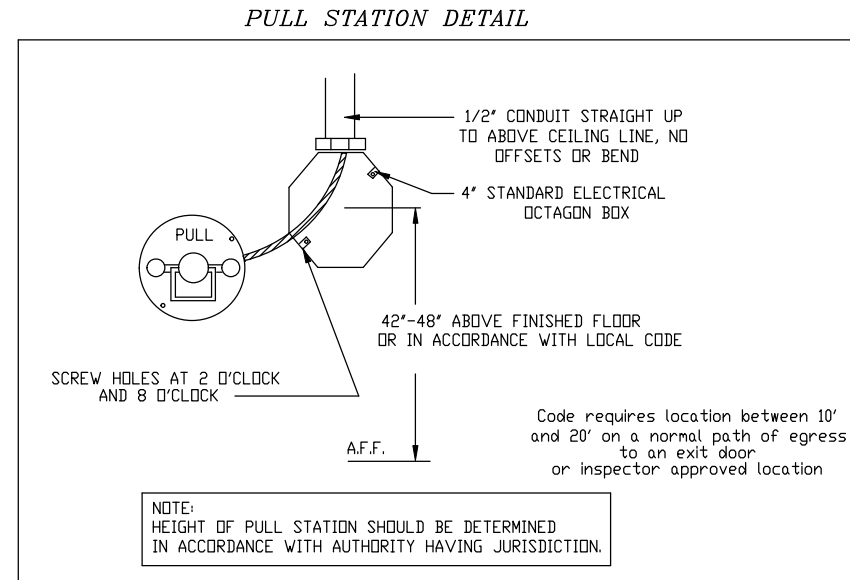
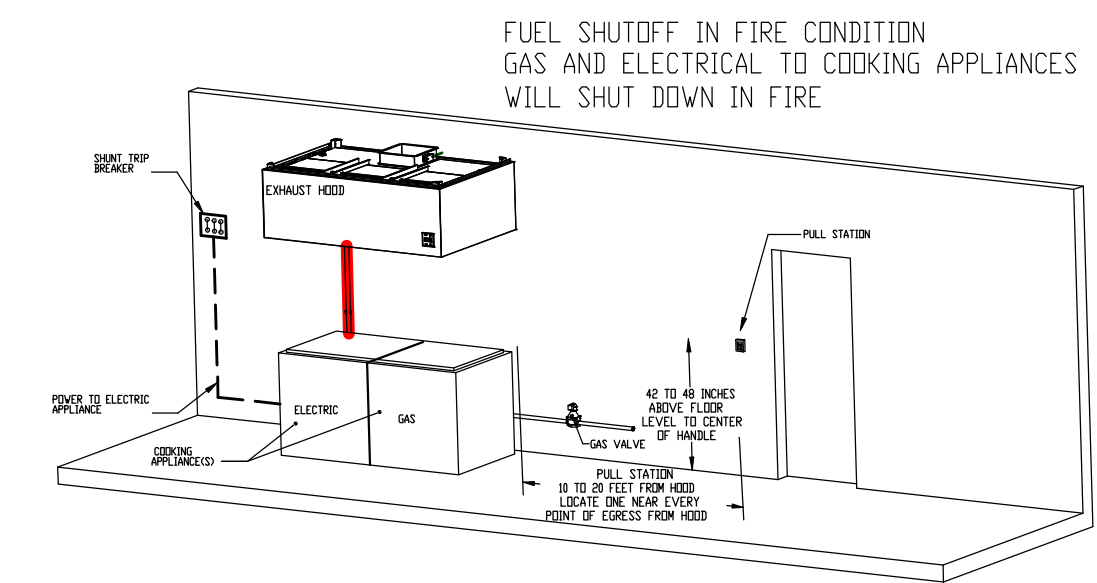


UL 300 HOOD FIRE SUPPRESSION SYSTEM

All Fire System Piping will be 3/8" schedule 40 black iron.

NC FIRE CODE 90411.2
System Interconnection:
The Actuation of the fire extinguishing system shall automatically shut down the fuel or electrical power supply to the cooking equipment. The Fuel and electrical supply reset shall be manual.

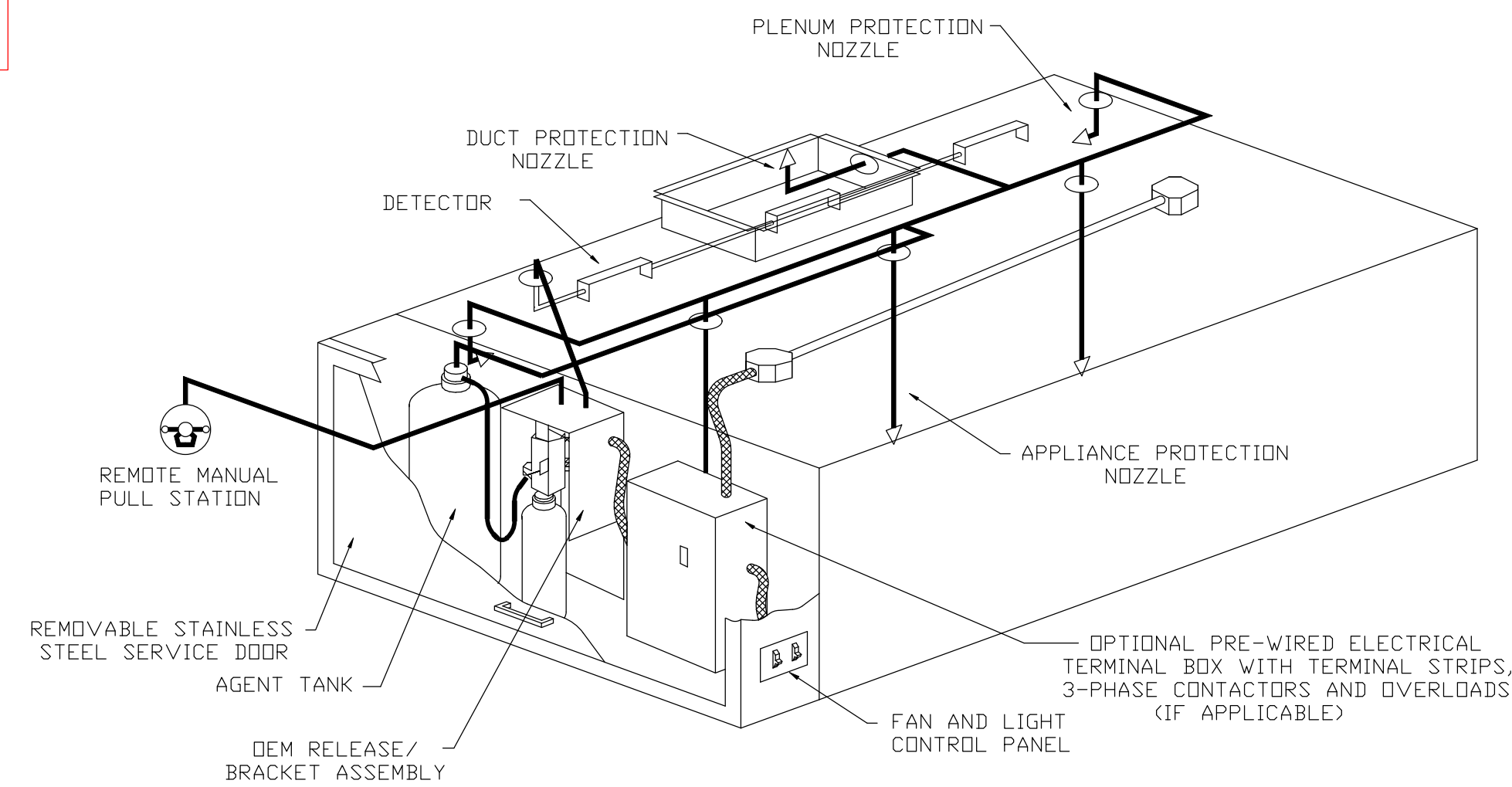


FIRE SYSTEM OPERATION

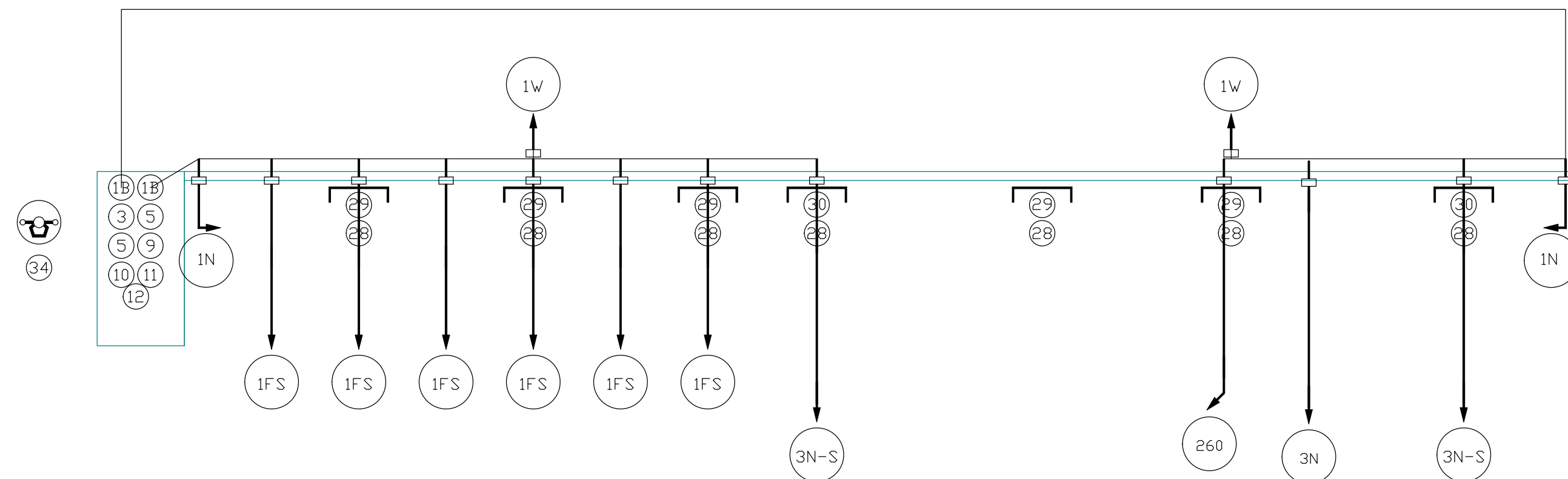
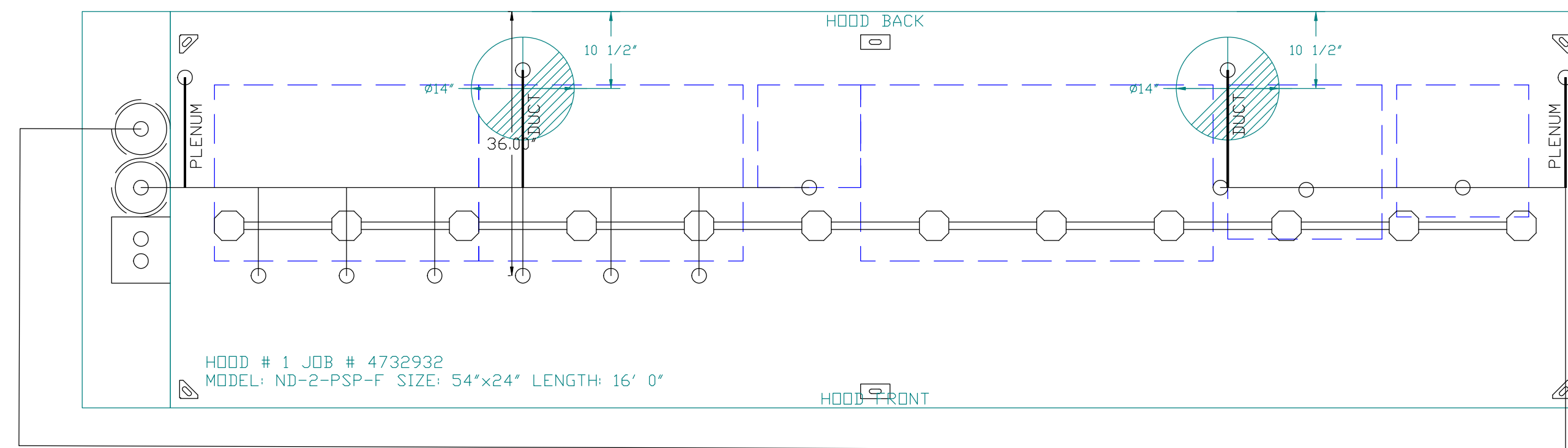
- Kitchen hood shall be constructed and installed per NFPA 96.
- Hood Electrical Control Panel and Fire Control System shall shut down kitchen hood make up air fan upon activation of fire extinguishing system. Kitchen hood exhaust fan shall continue to operate or power on upon activation. The hood electrical panel and fire system will provide interlock for automatic operation of fire suppression system with:
 - Mechanical gas valve (installed by mechanical/plumbing contractor, if gas used)
 - Hood supply and exhaust fan (wiring by elec)
 - Remote manual pull station (by hood fire system distr)
 - Fire alarm system notification (if Bldg Fire Alarm present, by Fire alarm Contractor)
- See Hood details for drawings
- All exposed piping with fire suppression system shall be covered with a chrome sleeve.
- Mechanical contractor shall install conduit in wall for manual pull station. Pull Station shall be located at or near a means of egress from the cooking area.
- Fire suppression system shall be in accordance with UL 300.

FIRE SYSTEM INFORMATION - JOB#4556648

FIRE SYSTEM NO	TAG	TYPE	SIZE	FLOW POINTS	INSTALLATION	
					SYSTEM	LOCATION ON HOOD
1		ANSUL R102	3.0/3.0	21	FIRE CABINET LEFT	LEFT, HOOD 1



REVISION 02/09/2021



TYPICAL ANSUL R-102 SYSTEM LAYOUT

NOTES

- FIELD PIPE DROPS AS SHOWN
- SLEEVING, ELBOWS, TEES, AND NOZZLES SUPPLIED BY CAS.
- RELOCATE NOZZLES IF FLOW PATTERN IS BLOCKED BY SHELVING, SALAMANDERS, ETC.
- MAXIMUM 9 ELBOWS IN SUPPLY LINE.
- MINIMUM 72 INCHES OF AGENT LINE FROM TANK TO FIRST NOZZLE COVERING A RANGE, FRYER, OR WOK TO REFLECT GENERAL PIPING REQUIREMENTS.
- IF APPLICABLE, PRE-PIPED CHARBROILER DROPS ARE SHIPPED LOOSE.
- FACTORY PIPING EXTENDS A MAXIMUM OF 6" ABOVE THE TOP OF THE HOOD.
- APPLIANCE DIMENSIONS LISTED REPRESENT THE COOKING SURFACE SIZE, NOT THE OVERALL APPLIANCE SIZE.
- THIS FIRE SYSTEM COMPLIES WITH UL 300 REQUIREMENTS.

JOB #: 4732932.
JOB NAME: EL BURRITO REV FIRE 020921.

SYSTEM SIZE: ANSUL-3.0/3.0 TOTAL FP REQUIRED: 21.
HOOD # 1 16' 0.00" LONG x 54" WIDE x 24" HIGH.
RISER # 1 SIZE: 14" DIA.
RISER # 2 SIZE: 14" DIA.
HOOD # 1 METAL BLOW-OFF CAPS INCLUDED.

LEGEND - FIRE CABINET ANSUL SYSTEM

- 1A 1.5 GALLON TANK.
- 1B 3 GALLON TANK.
- 2 OEM AUTOMAN RELEASE.
- 3 OEM REGULATED RELEASE.
- 4 OEM REGULATED ACTUATOR.
- 5 ANSULEX LIQUID AGENT (3 GAL.).
- 6 ANSULEX LIQUID AGENT (1.5 GAL.).
- 7 CARTRIDGE (101-20).
- 8 CARTRIDGE (101-10).
- 9 CARTRIDGE (101-30).
- 9A CARTRIDGE (LT-A-101-30).
- 9B DOUBLE TANK CARTRIDGE.
- 10 TEST LINK.
- 11 DOUBLE MICROSWITCH.
- 12 HOSE ASSEMBLY.
- 1100 DUCT NOZZLE (430913).
- 2W DUCT NOZZLE (419337).
- 1W NOZZLE ASSEMBLY (419336).
- 1F NOZZLE ASSEMBLY (419333).
- 1N NOZZLE ASSEMBLY (419335).
- 1/2N NOZZLE ASSEMBLY (419334).
- 3N NOZZLE ASSEMBLY (419338).
- 245 NOZZLE ASSEMBLY (419340).
- 230 NOZZLE ASSEMBLY (419339).
- 2120 NOZZLE ASSEMBLY (419343).
- 290 NOZZLE ASSEMBLY (419342).
- 260 NOZZLE ASSEMBLY (419341).
- 28 DETECTOR BRACKET.
- 29 LOW TEMP FUSIBLE LINK.
- 30 HIGH TEMP FUSIBLE LINK.
- MGV MECHANICAL GAS VALVE.
- EGV ELECTRICAL GAS VALVE.
- 34 REMOTE MANUAL PULL STATION.
- S SWIVEL ADAPTOR.

CAPTIVE-AIRE HOODS ARE BUILT IN COMPLIANCE WITH:

CAPTIVE-AIRE HOODS ARE BUILT IN COMPLIANCE WITH

NFPA #96
NSF
UL 710 & ULC710 STANDARDS
E.T.L. LISTED 3054804-001



FOR QUESTIONS
CONTACT: DEXTER WILSON
NORTH CAROLINA REGIONAL OFFICE
PHONE: (984) 222-9587
EMAIL: REG36@CAPTIVEAIRE.COM FAX: (919) 227-5917

RANGE-SHELF (20" MIN FROM GRATED) HIGH PROXIMITY 36.00" L X 24.00" D	RANGE-SHELF (20" MIN FROM GRATED) HIGH PROXIMITY 36.00" L X 24.00" D	FRYER-M W/DRIP BOARD HIGH PROXIMITY 14.00" L X 14.00" D	GRIDDLE (CN) HIGH PROXIMITY 48.00" L X 24.00" D	LAVA ROCK CHARBROILER HIGH PROXIMITY 21.00" L X 21.00" D	FRYER-M W/DRIP BOARD HIGH PROXIMITY 18.00" L X 18.00" D
--	--	---	---	--	---

REVISIONS

DESCRIPTION	DATE:

CAPTIVE-AIRE

Eastern North Carolina
4641 Paragon Park Rd., Raleigh, NC, 27616 PHONE: (919) 825-3566 FAX: (919) 227-5917 EMAIL: reg36@captivaire.com

EL BURRITO - SHOPPES AT SUMMIT SANFORD, NC ND-2
1671 Buffalo Lake Rd,
Sanford, NC, 27332

DATE: 10/13/2020
DWG.#: 4556648
DRAWN BY:
SCALE: 3/4" = 1'-0"
MASTER DRAWING

FOR QUESTIONS
CONTACT: DEXTER WILSON
NORTH CAROLINA REGIONAL OFFICE
PHONE: (984) 222-9587
EMAIL: REG36@CAPTIVEAIRE.COM FAX: (919) 227-5917

SHEET NO.
1