



Rockford Sanitary Systems, Inc.

ROCKFORD, IL 61125-0963

(815) 229-5077 - (800) 747-5077 - FAX (815) 229-5108

WEB SITE-www.rkfdseparators.com E MAIL-rssem@rkfdseparators.com

MODEL NO. RGI-1000

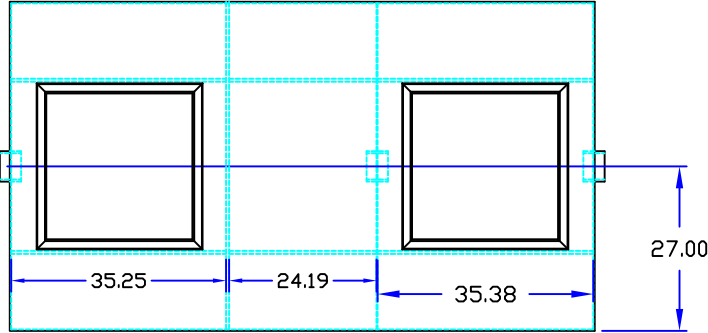
GREASE INTERCEPTOR

DRAWN BY QUOTE #
W.R.W.

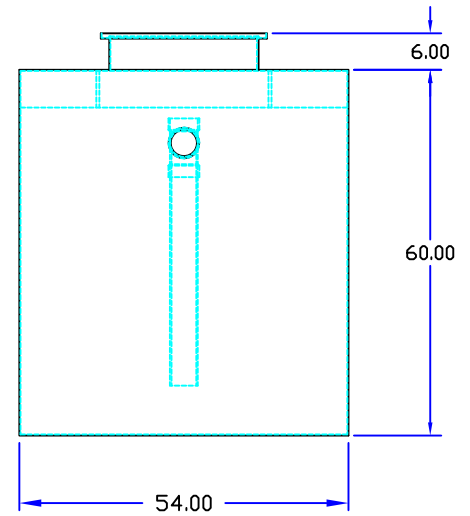
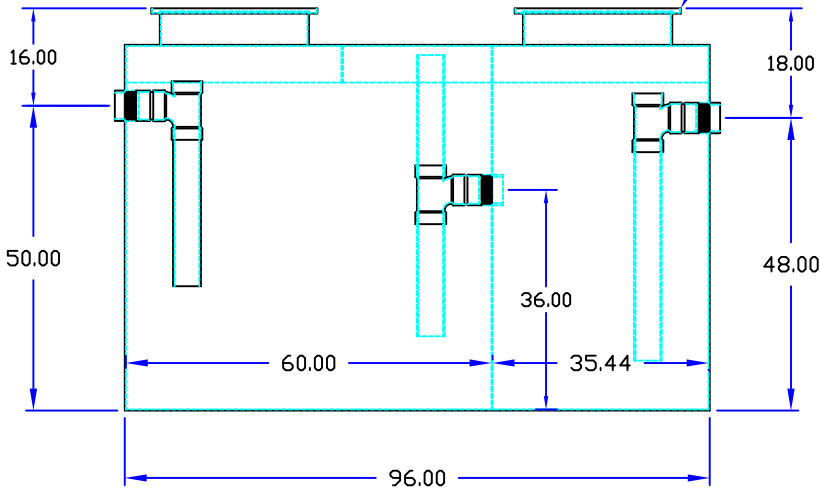
JOB NAME

OPTIONAL FEATURES (ADDITIONAL COST)

- EPOXY COATING
- STAINLESS STEEL CONSTRUCTION
- MANWAY HEIGHT REQUIRED _____
- INLET & OUTLET SIZE _____ INCHES
- ALUMINUM COVER



Standard Shown Specify Amount Required



Specifications

Rockford Model RGI-1000 all welded steel gravity grease interceptor, with 1000 gallon capacity, 4.00" threaded inlet/outlet connections, removable 3/8" nonskid diamond treadplate cover for flush with grade installation suitable for heavy truck traffic, secured with stainless steel flat head screws, heavy duty leak-proof gasket, and bituminous coating outside.

Optional features (Additional cost) listed above

Approved By

Company

Date