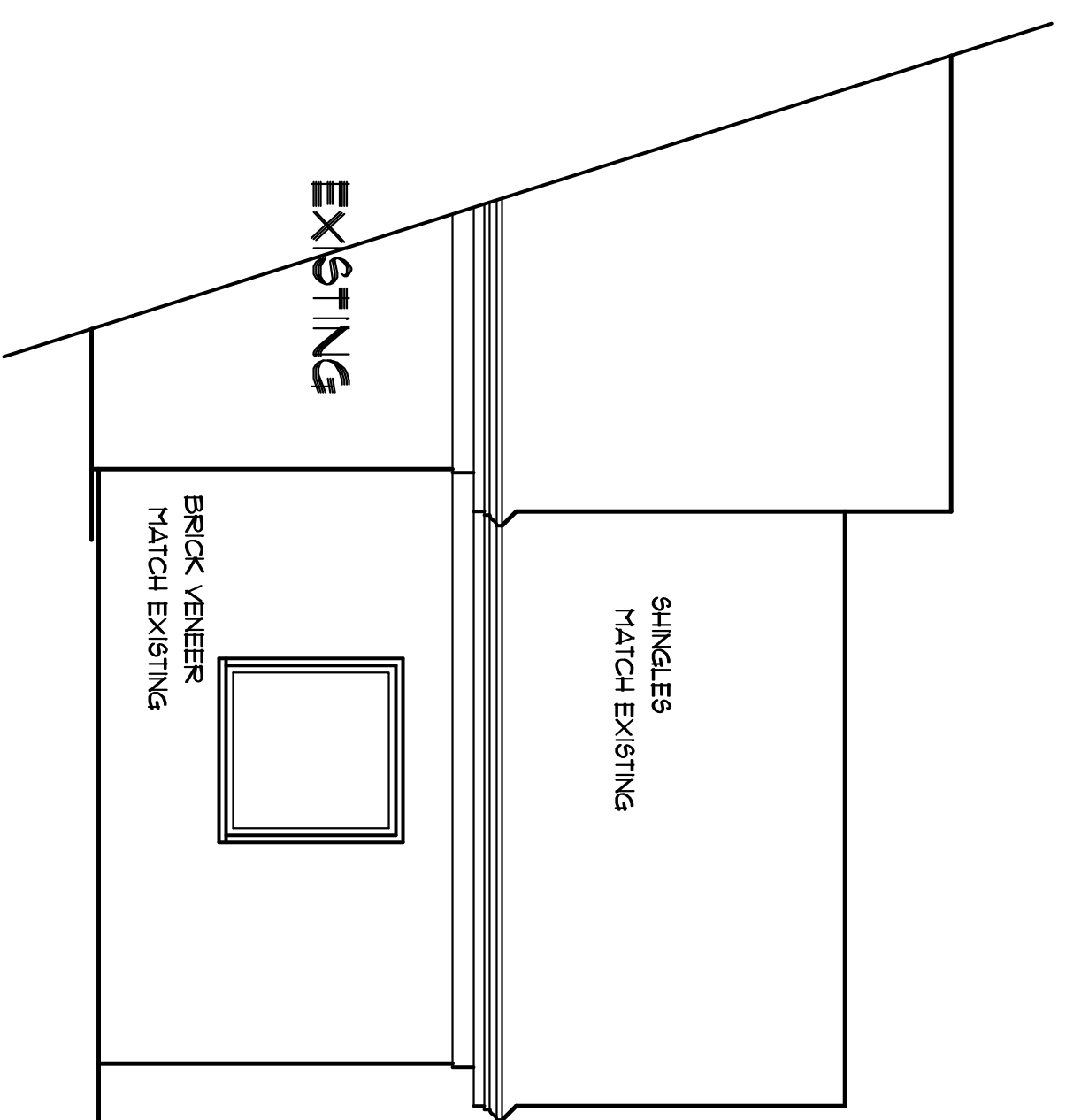
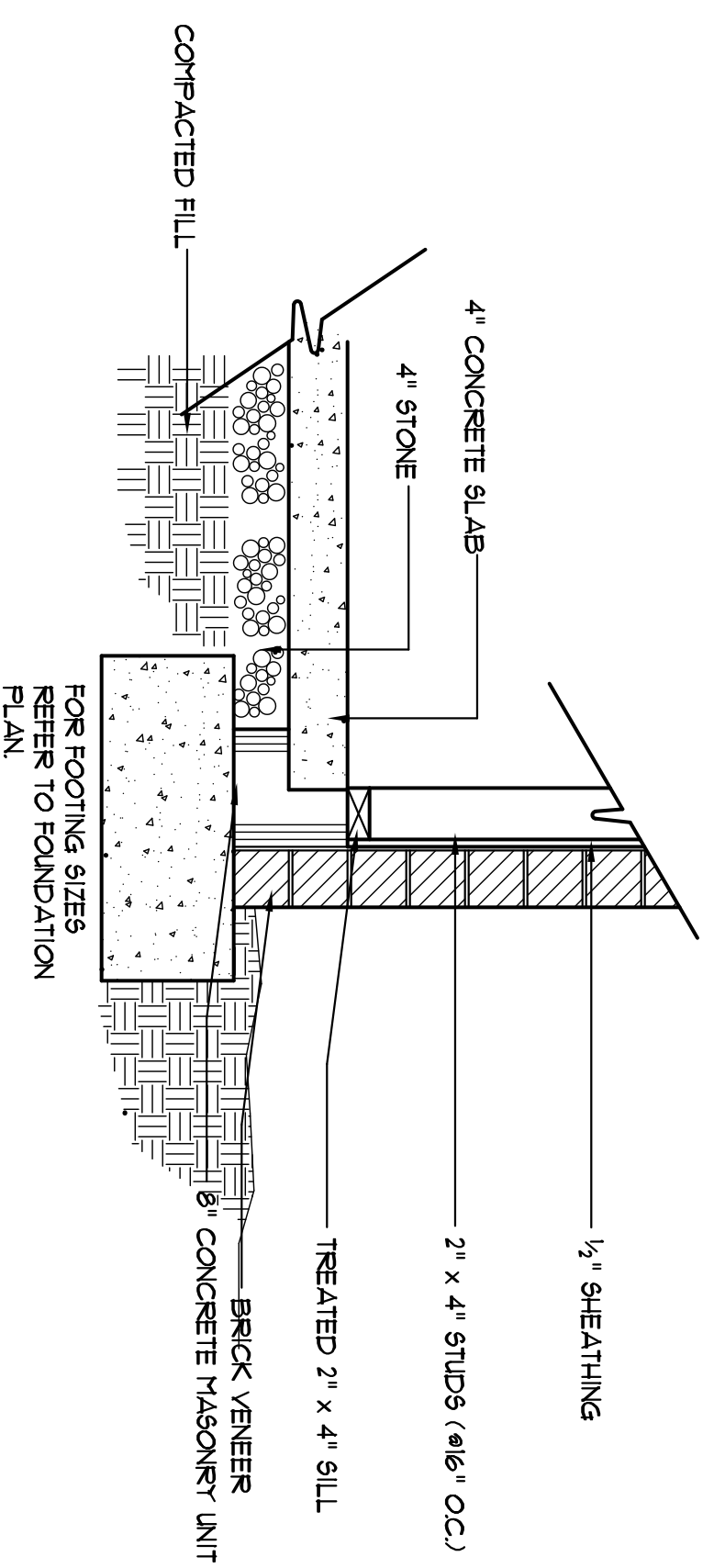
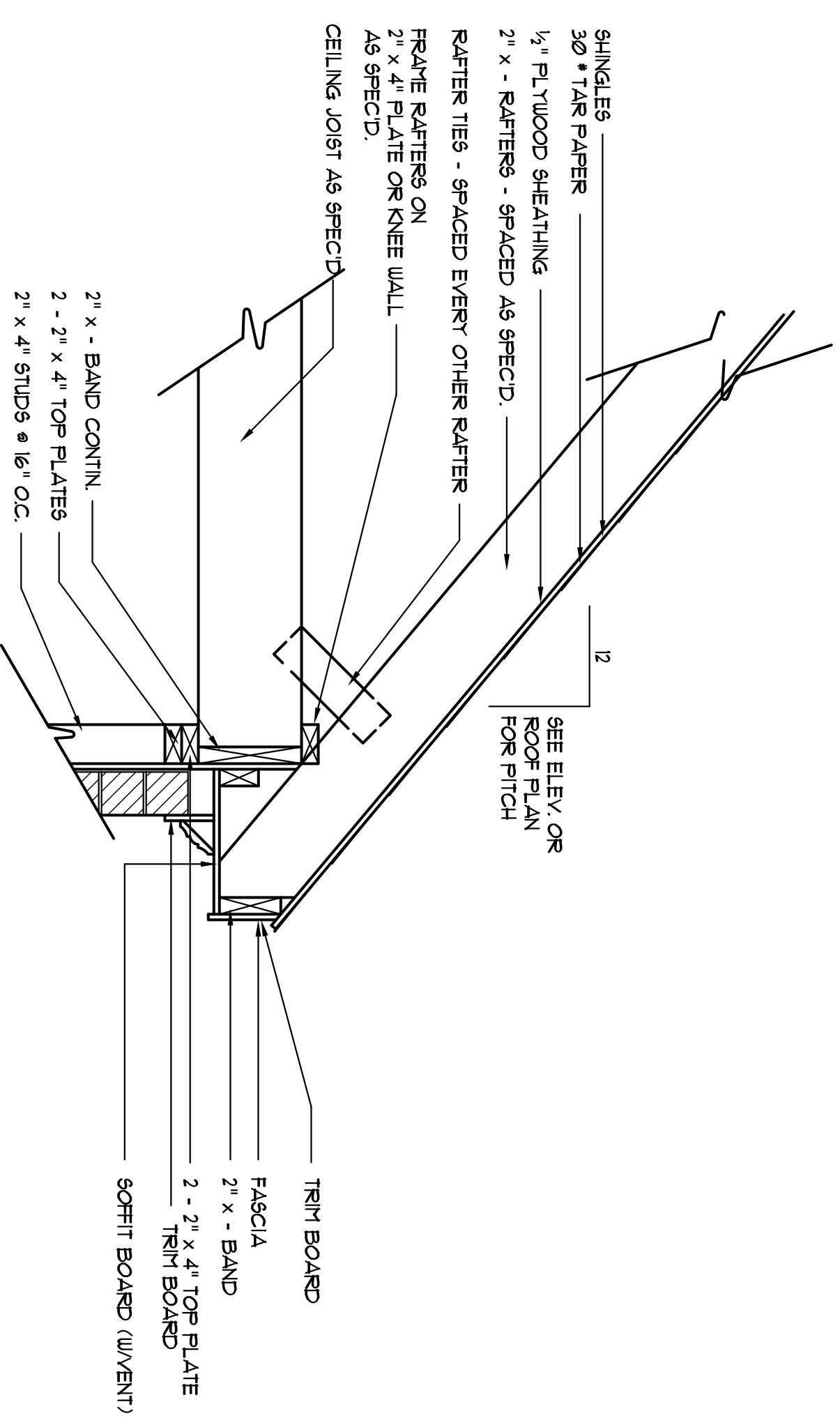
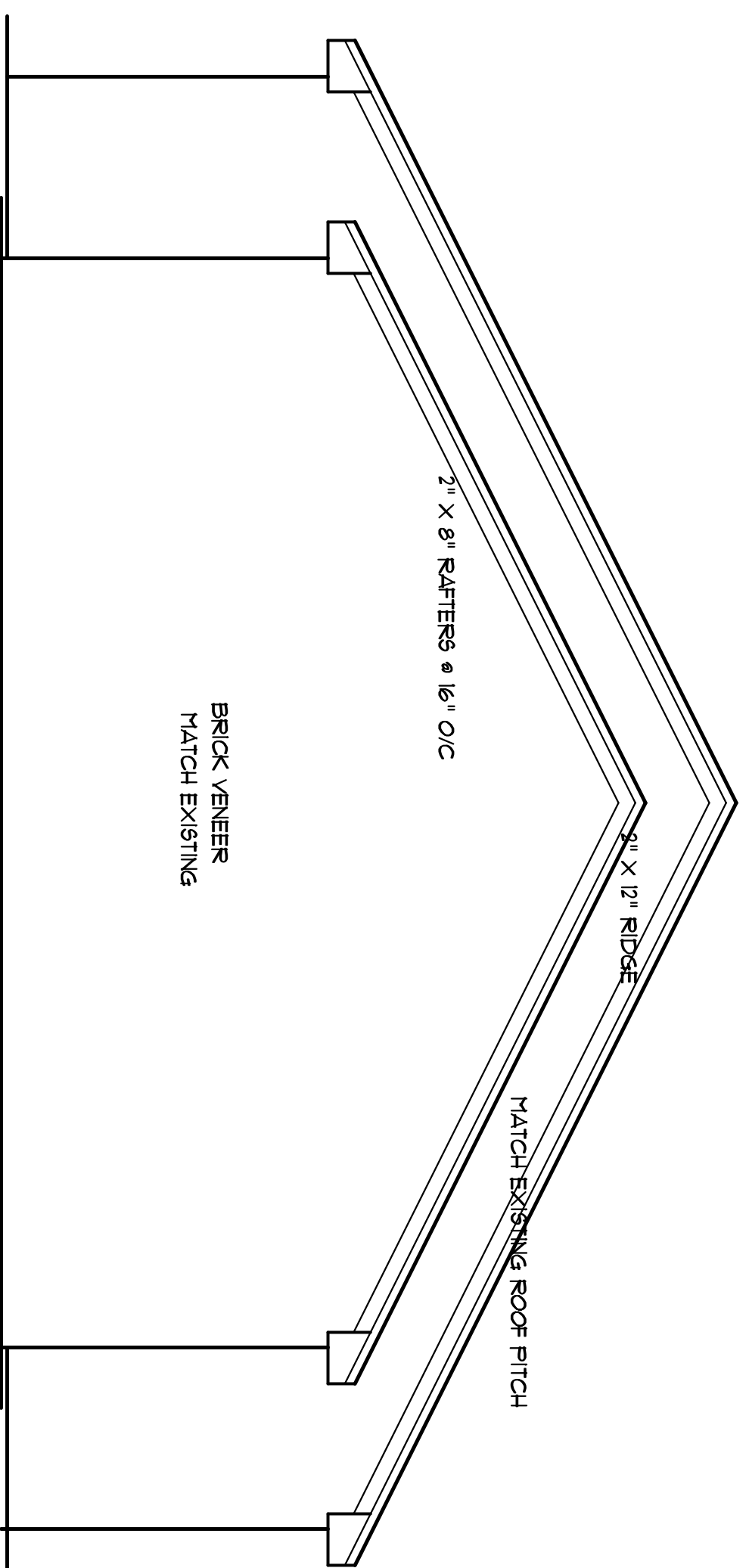


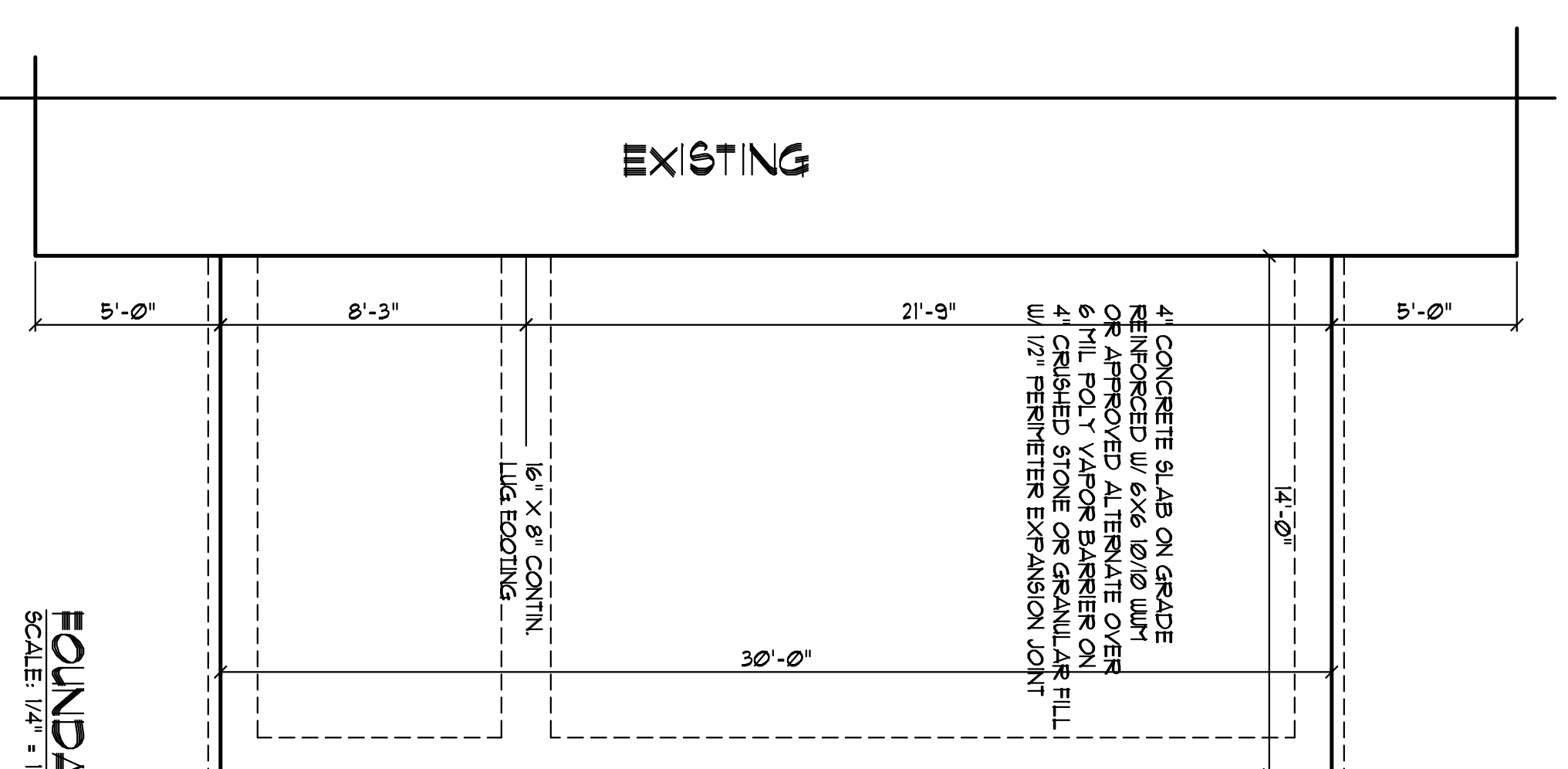
BUILDER SHALL VERIFY ALL DIMENSIONS AND CONDITIONS AT TIME OF CONSTRUCTION.
 ALL CONSTRUCTION SHALL CONFORM TO THE 2018 EDITION OF THE NC STATE BUILDING CODE. CODES GOVERN OVER DRAWINGS. DIMENSIONS GOVERN OVER SCALE.
 VERIFY ALL MECHANICAL REQUIREMENTS BEFORE READING.
 YUNCANNON DESIGNS DOES NOT ASSUME LIABILITY FOR ANY DEVIATION OF OR CONSTRUCTION METHODS OF THESE PLANS.



ELEVATIONS
 SCALE: 1/4" = 1'-0"



EXTERIOR WALL SECTION
 SCALE: NTS



FOUNDATION PLAN
 SCALE: 1/4" = 1'-0"