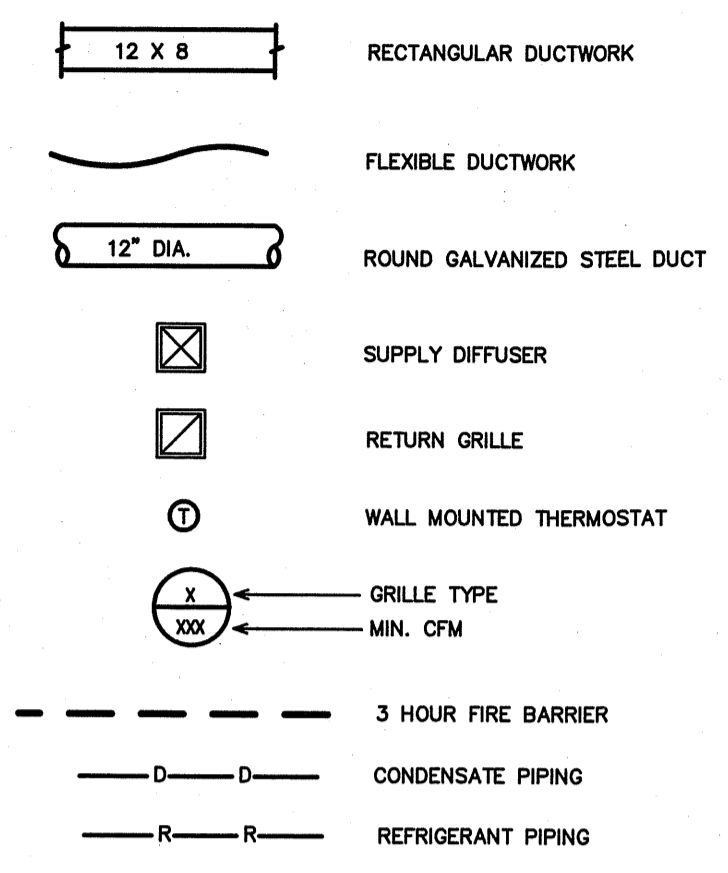




**GENERAL NOTES - MECHANICAL**

- ALL WORK SHALL BE IN ACCORDANCE WITH THE LATEST EDITION OF THE STATE CODE AND ALL LOCAL AND OTHER APPLICABLE CODES.
- ANY PERMITS AND INSPECTION FEES SHALL BE SECURED AND PAID FOR BY THE MECHANICAL CONTRACTOR (MC).
- ALL WORK SHALL BE PERFORMED BY EXPERIENCED AND SKILLED CRAFTSMEN. THE MC SHALL COORDINATE ALL OF HIS WORK WITH THE GENERAL CONTRACTOR (GC) AND OTHER TRADES.
- THE LOCATION OF ALL DUCT, PIPING AND EQUIPMENT SHALL BE ADJUSTED TO ACCOMMODATE ANTICIPATED OR ENCOUNTERED INTERFERENCES.
- THESE PLANS ARE DIAGRAMMATIC AND MAY NOT SHOW MINOR DETAILS AND LOCATIONS. FOR DIMENSIONS REFER TO THE ARCHITECTURAL PLANS.
- THE MC SHALL BE RESPONSIBLE FOR ALL ELECTRICAL STARTERS INTERLOCKS, CONTROL WIRING CONDUIT AND POWER WIRING FROM DISCONNECTS TO HIS EQUIPMENT, USING A LICENSED ELECTRICIAN.
- THE MC SHALL USE FIRE DAMPERS FOR PROTECTION OF THE OPENING IN ACCORDANCE WITH STATE AND LOCAL CODES IN ALL LOCATIONS WHERE PENETRATIONS OF RATED WALLS AND FLOORS OCCUR. SEE ARCHITECTURAL PLANS FOR RATED WALL AND FLOOR LOCATIONS. PROVIDE ACCESS DOORS AT ALL DAMPER LOCATIONS. LOCATE DOORS FOR EASY ACCESS.
- INSTALL FLEXIBLE CONNECTORS ON SUPPLY AND RETURN DUCTWORK AHU. ALL MECHANICAL EQUIPMENT SHALL OPERATE FREE OF OBJECTIONAL NOISE AND VIBRATION.
- INSTALL TURNING VANES IN SUPPLY DUCTS AT ALL ELBOWS AND SPLITTER DAMPERS. PROVIDE BALANCING DAMPERS IN ALL DUCTS WHERE SHOWN OR REQUIRED FOR SYSTEM BALANCING.
- DUCT DIMENSIONS ARE SHOWN INSIDE CLEAR.
- THE MC SHALL KEEP THE PREMISES CLEAR OF DEBRIS FROM HIS WORK DURING CONSTRUCTION AND LEAVE THE AREA AND BUILDING CLEAN AT THE COMPLETION OF HIS WORK. HE SHALL ALSO LEAVE CLEAN ALL EXPOSED EQUIPMENT IN HIS CONTRACT.
- PROVIDE ALL REQUIRED ROOF PENETRATIONS FOR THE INSTALLATION OF THE NEW EQUIPMENT. ALL FLASHINGS ARE BY THE MECHANICAL CONTRACTOR. ALL ROOFING WORK SHALL BE DONE BY A LICENSED ROOFING CONTRACTOR SO AS TO MAINTAIN ORIGINAL WARRANTY.
- THE M.C. SHALL COORDINATE WITH AND PROVIDE EQUIPMENT SPEC. SHEETS TO THE GENERAL AND ELECTRICAL CONTRACTORS FOR REVIEW PRIOR TO ORDERING EQUIPMENT.
- PROPERLY SUPPORT ALL DUCT WORK, AND EQUIP FROM STRUCTURE. PROVIDE ALL STRUCTURAL SUPPORTS FOR THE LOADS AS REQUIRED AT NO ADDITIONAL COST TO THE OWNER.

**LEGEND - MECHANICAL**



HVAC EQUIPMENT SCHEDULE	
HVAC SYSTEM #1	
AHU #1 DIRECT EXPANSION FAN COIL UNIT	* CARRIER MODEL #FX4DN001, 4 WAY, MULTIPURPOSE FAN COIL UNIT, 7.5 KW HEATER, NOMINAL CAPACITY = 60,000 BTUH, 2000 CFM NOMINAL, PROVIDE HARD SHUT-OFF TXV VALVE, 5 TON NOMINAL, PROVIDE PROGRAMMABLE THERMOSTAT AND FILTER RACK WITH HINGED DOOR, 3/4HP, 6.0A MOTOR FLA, 36.2A HEAT FLA, 208V, 1 PH, 52.8A MCA, 50A MOCF AHU & HEAT.
HP #1 OUTDOOR HEAT PUMP UNIT	* CARRIER MODEL #25HCC580A0030, 5 TON OUTDOOR HEAT PUMP UNIT, 15 SEER, PROVIDE CYCLE PROTECTOR, LOW PRESSURE SWITCH, CRANKCASE HEATER, 208 VOLT, 1 PHASE, COMP 26.4A RLA, FAN 1.2A FLA, OUTDOOR HEAT PUMP 34.2A MCA, 50A MOCF.

\* OR APPROVED EQUAL

WASTE OIL HEATER SCHEDULE	
UNIT HEATER 350,000 BTUH (WOH-1)	* ENERGY LOGIC# ELF350H NATURAL WAST OIL FIRED HEATER, AND 250 GAL. FLOOR MOUNTED OIL TANK, 350,000 BTUH INPUT, 2800 CFM, 8" FLUE, 1/3 HP, 120 VOLT, PROVIDE 25 AMP DEDICATED CIRCUIT, PROVIDE 8" DIA. TYPE "B" EXHAUST VENT THROUGH THE ROOF. PROVIDE ALL FLASHING AS REQUIRED.

\* OR APPROVED EQUAL

EXHAUST FAN EQUIPMENT SCHEDULE	
EF-1	
EXHAUST FAN #1	* CARNES MODEL# VCDD020C EXHAUST FAN, 196 CFM @ 1/4" SP, 740 RPM, 1.8 AMPS, 120V. THE ELECTRICAL CONTRACTOR SHALL WIRE THE UNIT. THE HVAC CONTRACTOR SHALL PROVIDE UNIT WITH THERMOSTAT, 8" RIGID DUCT TO EXTERIOR, FLASHING AND WALL CAP. LOCATE EXHAUST TERMINATION A MINIMUM OF 10'-0" FROM ANY INTAKES.
EF-2	
EXHAUST FAN #2	* CARNES MODEL# VCDD025C EXHAUST FAN, 250 CFM @ 1/4" SP, 830 RPM, 2.2 AMPS, 120V. THE ELECTRICAL CONTRACTOR SHALL PROVIDE THE LOCAL SWITCH AND WIRE THE UNIT. THE HVAC CONTRACTOR SHALL PROVIDE UNIT, 10" RIGID DUCT TO EXTERIOR, FLASHING AND WALL CAP. LOCATE EXHAUST TERMINATION A MINIMUM OF 10'-0" FROM ANY INTAKES.
EF-3	
EXHAUST FAN #3	* CARNES MODEL# VCDD025C EXHAUST FAN, 250 CFM @ 1/4" SP, 830 RPM, 2.2 AMPS, 120V. THE ELECTRICAL CONTRACTOR SHALL PROVIDE THE LOCAL SWITCH AND WIRE THE UNIT. THE HVAC CONTRACTOR SHALL PROVIDE UNIT, 10" RIGID DUCT TO EXTERIOR, FLASHING AND WALL CAP. LOCATE EXHAUST TERMINATION A MINIMUM OF 10'-0" FROM ANY INTAKES. PROVIDE TSTAT.
EF-4	
EXHAUST FAN #4	* CARNES MODEL# LABA-36R2 SIDEWALL PROPELLER EXHAUST FAN, 3/4HP, 460 RPM, 6,690 CFM AT 0.25" SP. PROVIDE WALL BOX WITH MOTORISE GUARD, PROVIDE MOTORIZED BACKDRAFT DAMPER ON EXTERIOR EXHAUST FAN. PROVIDE INTERLOCK WITH WALL INTAKE DAMPER ON OPPOSITE END OF FACILITY. BELT DRIVE, 208 VOLT, 1 PH.

\* OR APPROVED EQUAL

OA SCHEDULE OUTDOOR VENTILATION AIR PROVIDED PER TABLE 403.3 NCSCB MECHANICAL CODE.							
APPLICATION	SQUARE FOOTAGE (SF)	AREA OUTDOOR AIR FLOW RATE (CFM/SF)	PEOPLE OUTDOOR AIR FLOW RATE (CFM/PERSON)	OCCUPANCY DENSITY RATE (# PEOPLE/1000SF)	OCCUPANCY (# PEOPLE)	AREA OUTDOOR AIR FLOW (CFM)	PEOPLE OUTDOOR AIR FLOW (CFM)
OFFICE	1445	0.06	5	5	10	87	50
CORRIDOR	400	0.06	-	-	-	24	-
CONFERENCE	140	0.06	5	50	7	9	35
TOTAL REQUIRED							205
OUTDOOR AIR PROVIDED FROM EACH HVAC UNIT **							
HVAC UNIT				OUTDOOR AIR (CFM)			
AHU-1				250 - 10" DIA. O.A. DUCT			
TOTAL PROVIDED				250			
APPLICATION CFM							
TOILETS 70 CFM/FLUSHING FIXTURE							
5 FLUSHING FIXTURE X 70 CFM = 350 CFM							
EXHAUST PROVIDED BY TWO EXHAUST FANS, MAKE UP AIR BY TRANSFER AIR							

\*\* SET OUTDOOR AIR DAMPER CONTROLS TO PROVIDE OUTDOOR AIR AS INDICATED IN THIS SCHEDULE.

**APPENDIX B  
2018 BUILDING CODE SUMMARY  
FOR ALL COMMERCIAL PROJECTS**

MECHANICAL DESIGN  
(PROVIDE ON THE MECHANICAL SHEETS IF APPLICABLE)  
MECHANICAL SUMMARY

**MECHANICAL SYSTEMS, SERVICE SYSTEM AND EQUIPMENT**

Thermal Zone

winter dry bulb 16F  
summer dry bulb 93F

Interior Design Conditions

winter dry bulb 72F  
summer dry bulb 78F  
relative humidity 50%

Building Heating Load 110,900 BTU/hr

Building Cooling Load (office space only) 51,500 BTU/hr

Mechanical Spacing Conditioning System

Unitary - The tenant space is served the following systems:  
(1) 5 ton split system heat pump

Boiler - Not applicable to this project.

Chiller - Not applicable to this project.

Equipment efficiencies

Efficiencies and outputs are listed on equipment schedules - See drawings.

AIR DISTRIBUTION SCHEDULE							
MARK	* MANUFACTURER	MODEL NO.	NECK SIZE	FACE SIZE	MATERIAL	SERVICE	NOTES
A	CARNES	SPAB224	SEE FLEXIBLE DUCT SCHEDULE	24" X 24"	STEEL	SUPPLY	LAY-IN CEILING, WHITE 4-WAY BLOW
RA	CARNES	SPRB22	SEE FLEXIBLE DUCT SCHEDULE	24" X 24"	STEEL	RETURN	LAY-IN CEILING, WHITE

\* OR APPROVED EQUAL

COORDINATE BORDER TYPE WITH THE CEILING TYPE. SEE ARCH SHEETS  
PROVIDE CUT SHEETS TO OWNER/ARCH. PRIOR TO ORDERING.

MAKE-UP AIR LOUVER SCHEDULE	
LOUVER/DAMPER (LD-1)	* CARNES MODEL FTJ9, 48" WIDE X 48" HIGH INTAKE LOUVER/DAMPER, 120V MOTOR OPERATION EXTERIOR FIXED ARCHITECTURAL LOUVER W/ BRD SCREEN BY GENERAL CONTRACTOR. VERIFY FINAL SIZE AND MOUNTING WITH GENERAL CONTRACTOR AND DOOR SUPPLIER PRIOR TO ORDERING.

\* OR APPROVED EQUAL BY RUSKIN OR GREENHECK.

VEHICLE EXHAUST SYSTEM	
CO EXHAUST REMOVAL SYSTEM	* CARBON MODEL CO-X, CARBON MONOXIDE PACKAGED REMOVAL SYSTEM, WITH CHW DIRECT DRIVE FAN, 1 HP FAN MOTOR, 115 VOLT, SINGLE PHASE, 1100 CFM AT 3" ESP, PROVIDE WITH (2) 6" DIA. 15' LONG HTX HOSES WITH RCT EXHAUST ADAPTERS, WALL MOUNTING PLATFORM, BACKDRAFT DAMPER, DCA DIESEL CANE, AND RETRACTOR WITH SLING.

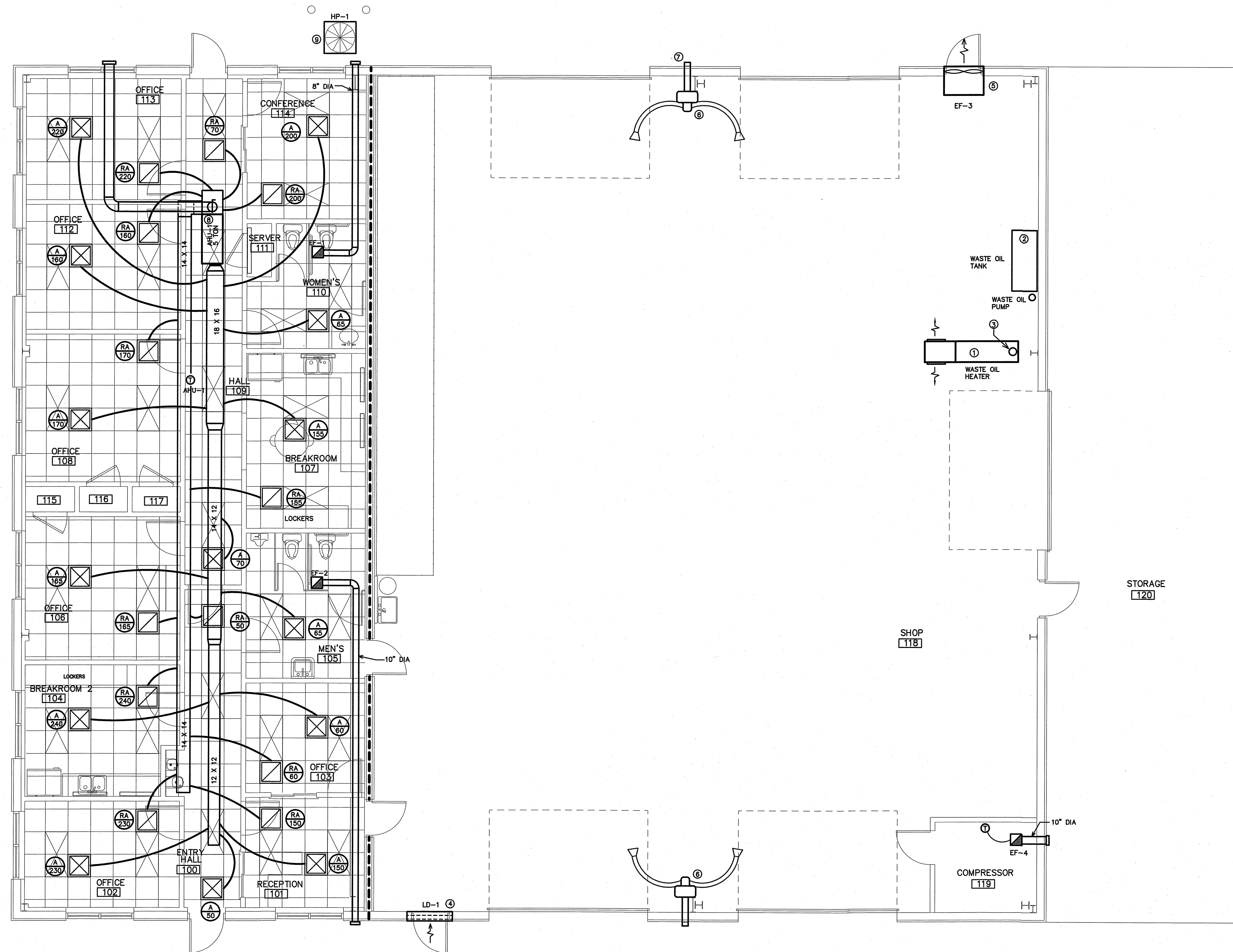
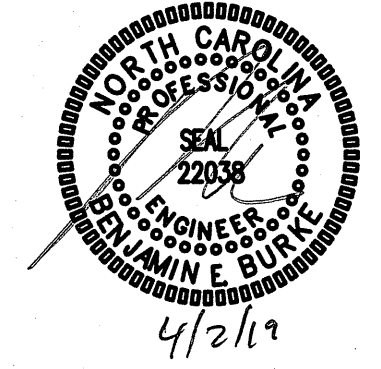
\* OR APPROVED EQUAL BY PLYMOUTH OR LEV-CO.

OUTDOOR AIR CALCULATIONS	
OUTDOOR VENTILATION AIR PROVIDED PER TABLE 403.3 NCSCB MECHANICAL CODE (VEHICLE SERVICE BAY AREA ONLY)	
APPLICATION	CFM/SQ.FT.
VEHICLE SERVICE AREA	0.75 CFM/SQ.FT.
4332 SQ. FT. X 0.75 CFM/SQ.FT. =	3249 CFM
TOTAL OA REQUIRED =	3249 CFM
8880 CFM EXHAUST PROVIDED BY (1) ONE SIDEWALL PROPELLER EXHAUST FAN.	

FLEXIBLE DUCTWORK SIZES		
MAXIMUM CFM'S		
SIZES	SUPPLY	RETURN
4"	100	100
6"	175	175
8"	250	250
10"	400	350
14"	550	500
16"	NA	900

(CHANGE OUT EXISTING FLEX DUCTS AND COLLARS AS REQUIRED TO GET NEW CFM'S SHOWN)

- FLEXIBLE DUCTWORK NOTES**
- INSTALL FLEXIBLE DUCTWORK RUNS AS STRAIGHT AS POSSIBLE.
  - DO NOT ALLOW FLEXIBLE DUCT TO SAG BETWEEN SUPPORTS.
  - DO NOT STRETCH A SHORT SECTION TO FIT A SLIGHTLY LONGER SECTION. THIS DISTORTS THE DUCT SHAPE AND IMPEDS AIR FLOW.
  - DO NOT CRUSH DUCTWORK TO FIT IN A SPACE SMALLER THAN ITS ORIGINAL OUTSIDE DIAMETER. MAXIMUM ALLOWABLE DEFORMATION IS 15% OF ORIGINAL VOLUME.
  - USE RIGID 90 DEGREE ELBOWS AT ANY LOCATION WHERE THE DUCTWORK BECOMES DISTORTED.
  - EXTREME CARE SHALL BE TAKEN TO ELIMINATE ANY REDUCTION IN FLOW WITHIN THE FLEXIBLE DUCTS. THE MECH. CONTRACTOR WILL BE REQUIRED TO REPLACE THE FLEXIBLE DUCT WITH RIGID IF PROPER FLOW IS NOT OBTAINED.
  - SIZE ALL FLEXIBLE DUCT SO AS NOT TO EXCEED MAXIMUM CFM'S GIVEN IN TABLE.



**1** HVAC PLAN  
SCALE: 3/16" = 1'-0"

KEY NOTES FOR SHEET M2

- ① WASTE OIL FURNACE, SUPPLIED BY OTHERS, INSTALLED BY MC. SUSPEND FROM STRUCTURE PER MANUFACTURER'S INSTRUCTION. VERIFY MOUNTING HEIGHT.
- ② 250 GALLON WASTE OIL TANK, SUPPLIED BY OTHERS, INSTALLED BY MC. INSTALL ALL LINES, CONTROLS, ETC. FOR A COMPLETE OPERATING SYSTEM. VERIFY FINAL LOCATION OF TANK OF TANK WITH OWNER.
- ③ 8" WASTE OIL FURNACE EXHAUST VENT. RUN THROUGH WALL AND TERMINATE PER MANUFACTURERS INSTRUCTIONS. OFFSET VENT FOR WASTE OIL FURNACE SO THAT THE EXHAUST DISCHARGE IS 10'-0" MIN. FROM ANY INTAKES
- ④ PROVIDE CARNES 36" X 24" INTAKE LOUVER. MODEL FKDC, MOTOR OPERATED. INTERLOCK WITH FAN FOR SIMULTANEOUS OPERATION. LOCATE ABOVE DOOR.
- ⑤ SIDE WALL MOUNTED EXHAUST FAN. MOUNT WITH BOTTOM AT 10'-0" AFF. LOUVER DAMPER ON OPPOSITE SIDE OF SERVICE BAYS ROOM SHALL OPEN WHEN FAN IS ENERGIZED.
- ⑥ CO REMOVAL SYSTEM. MOUNT BOTTOM AT 10'-0" AFF.
- ⑦ DISCHARGE FOR CO REMOVAL SYSTEM.
- ⑧ AIR HANDLING UNIT MOUNTED ABOVE CEILING. SEE DETAIL 1/M3.
- ⑨ OUTDOOR HEAT PUMP UNIT MOUNTED ON 4" THICK CONCRETE PAD. PROVIDE ALL MANUFACTURER'S REQUIRED CLEARANCES.

PROJECT TITLE  
**G&D HAULING**  
JARCO DRIVE  
FUQUAY-VARINA, NORTH CAROLINA

PROJECT NO.  
**1842**  
DRAWING TITLE  
**HVAC PLAN**

**M2**

PLOT DATE 4/2/19

This original sheet is 24" x 36". Other dimensions indicate it has been altered.  
All information on this sheet is the property of Weeks Turner Architecture and may not be duplicated in whole or in part without written authorization from Weeks Turner Architecture, 2018



**DIVISION 15 B - HEATING, VENTILATING AND AIR CONDITIONING**

- 1.1 DESCRIPTION OF THE WORK
- A. Work under this section includes, but is not necessarily limited to, furnishing and installing the following:
1. Heating, ventilation, and air conditioning equipment.
  2. Ductwork.
  3. Grilles and diffusers.
  4. Controls and control wiring.
  5. Condensate piping.
- B. All work under this contract shall be installed in compliance with the latest edition of the following codes and standards insofar as they apply:
1. ASHRAE Guide.
  2. National Electric Code.
  3. 2018 NC State Building Code: Mech Code.
  4. The Electrical Specifications for this project.
  5. SMACNA HVAC Duct Construction Standards.
  6. All local codes and ordinances.
  7. ARI rating.
  8. 2018 NC State Building Code: Energy Conservation Code.
- C. These codes are minimum standards. If codes require a more stringent method of construction than the specifications require, the codes shall govern.
- D. The HVAC Contractor shall be licensed in North Carolina and have all local licenses required for the work.

- 1.2 INTENT
- A. The intent of these specification and the accompanying drawing is to convey as reasonably as possible the requirements for a complete job ready for the building to operate. The HVAC Contractor shall take this into consideration and include in his bid allowance for contingencies as will allow him to provide minor pieces of equipment and labor not specifically indicated but required for the job to operate properly, at no additional cost to the Owner.
- 1.3 COORDINATION
- A. Coordinate work with other contractors. Notify Owner of apparent conflicts early to expedite construction. If structural damage appears imminent, stop work and notify Owner for a decision before resuming operations.
- B. Locations shown are approximate. The HVAC Contractor shall verify with owner, the placement of equipment, fixtures, outlets, etc. The drawings do not give exact details as to elevations and locations of various pipes, fittings, ducts, conduit, etc., and do not show all offsets and other installation details which may be required.
- C. Changes in duct or piping design caused by obstructions shall be submitted to Engineer in sketch form for study and comment prior to execution. Additional cost will not be allowed for this type of work.

- 1.4 SHOP DRAWINGS
- A. Shop drawings shall be submitted for all major items of equipment. These may consist of the manufacturer's standard catalog or tear sheets and shall have the exact items being offered clearly identified. Shop drawings shall include but are not limited to the following:
1. All equipment and accessories.
  2. Grilles and diffusers.
  3. Unit sizes and requirements.

**PART 2 - PRODUCTS**

- 2.1 EQUIPMENT
- A. All air handling devices must have the manufacturer's recommended filter rack, for 1" thick filters.
- 2.2 PIPING
- A. Condensate drain piping shall be PVC pipe. Provide tee and plug at changes in direction. Route pipe to proper termination point. All condensate piping shall be insulated with flexible elastomeric insulation. Provide copper piping in plenum areas.
- 2.3 DUCTWORK
- A. Ductwork shall be built in accordance with SMACNA HVAC Duct construction standards. Furnish and install all supply, return, and ventilation ductwork shown, together with splitters, deflectors, dampers, etc. This work shall be constructed of new galvanized prime grade steel sheets. The gauges of metal to be used and the construction and bracing of joints shall be in accordance with the SMACNA recommendations.
- B. Seal all sheet metal joints with fiber impregnated mastic.
- C. Support from building structure on strap hangers not over 8 feet apart.
- D. Use manufactured turning vanes in each elbow where required or where indicated on drawings.
- E. Flexible connectors shall be 3 inches wide, of fireproof material and used to isolate noise between equipment and ductwork on supply and return side of all units.
- F. Round runouts, where used, shall be built in accordance with the above standards, and each runout shall also have manufactured side take off, adjustable quadrant damper at all accessible locations and shall be of Owens Corning INL-25 flexible duct with UL label. Flex duct lengths allowed up to 14 feet. Duct must be supported with sufficient hangers in order to prevent sags. Serpentine routing will not be permitted. Quadrant damper to be 22 gauge easily adjustable manually with exterior handle (similar to H&C Kwik-set) and is not to be mounted in side take-off.

- 2.4 DUCT INSULATION (LOW PRESSURE)
- A. All insulation, linings, coverings and adhesives shall have a flame spread classification of 25 or less and a smoke developed rating of not more than 50, exposed exterior piping.
- B. All duct insulation shall comply with Section 604, of the N. C. Building Code: Mechanical Code.
- C. All supply and return ductwork shall be completely insulated, either internally or externally.
- D. Rectangular ductwork shall be lined with two-inch thick, 1.5 lb. per cubic foot density, duct liner, Armstrong, CSS Ultraliner, Johns Manville or approved equal.
- E. As an alternative to duct liner rectangular duct may be wrapped with Class I - 2", 3/4 lb. density (R-6.2) thick reinforced foil back fiberglass insulation, Owens-Corning Series ED or equal. Tape shall be Kraft reinforced foil tape or equal.
- F. Exhaust air duct does not require insulation, unless otherwise noted on the plans.
- G. Insulation shall be held in place with adhesive and welding pins 16" on center.
- H. Duct dimensions shown on the drawings are Net Inside Dimensions.
- 2.5 THERMOSTATS
- A. Provide programmable electronic thermostats.
- B. Submit proposed thermostats for approval.

- 2.6 ROOF PENETRATIONS
- A. Provide pre-manufactured roof flashings compatible with equipment served.
- B. Coordinate roof work with roof system used. Provide proper flashing as required.
- C. Provide 1 year warranty on all roof work performed.

- 2.7 DUCT SMOKE DETECTORS
- A. Duct detectors are not required since units air flows are 2000 cfm or less per NCSCB: Mechanical Code, Section 606.2.

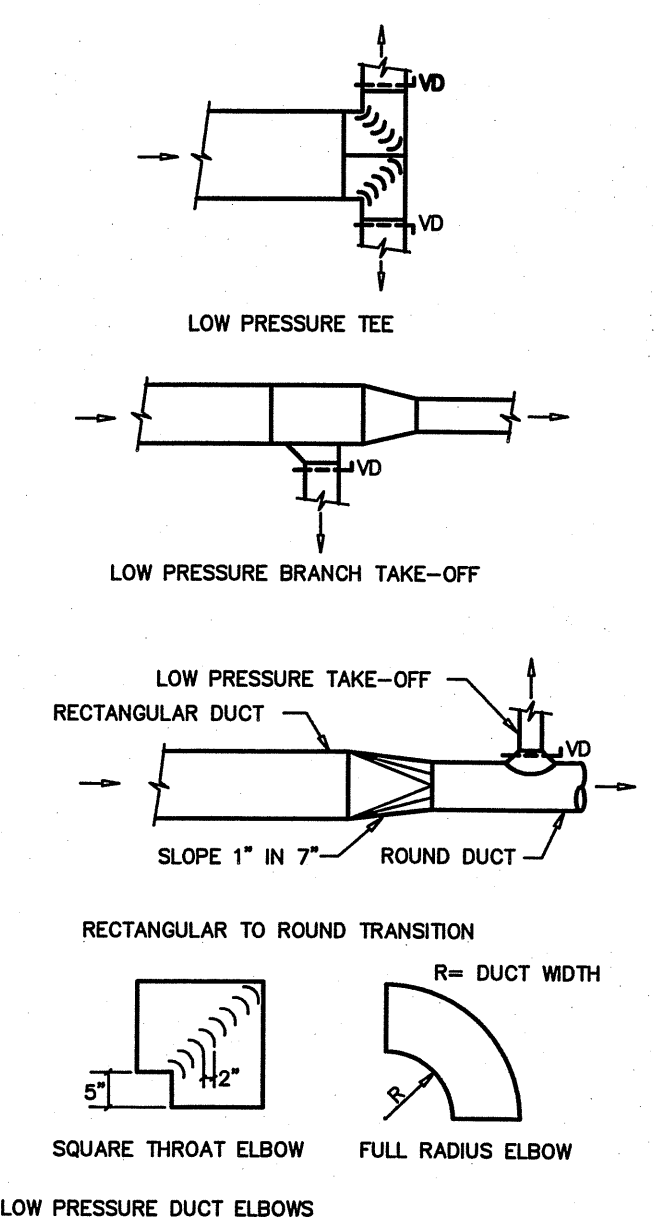
**PART 3 - EXECUTION**

- 3.1 PIPING
- A. The HVAC Contractor shall coordinate such routing with others, to line his work true to adjacent spaces and in a workmanlike manner and to use only short radius 90 degree elbows. Where required, piping to be sturdily supported and supported in a manner satisfactory to the Engineer.
- B. The HVAC Contractor shall paint all exterior refrigerant piping, with UV resistant paint as recommended by the closed cell insulation manufacturer.
- C. Insulate all condensate lines for their entire length with 1/2" closed cell insulation. Install insulation per the manufacturer's recommendations.
- 3.2 ELECTRICAL WORK
- A. The electrical contractor shall provide all switches, starters, wire conduit for the air conditioning, heating and ventilation equipment. Control wiring shall be by the heating and air conditioning contractor.
- B. HVAC Contractor is responsible for verifying that power terminals have been properly grounded prior to operating equipment and must find connections to all equipment including control wiring.
- C. All materials and workmanship shall be in accordance with the electrical specifications for the project. All wiring shall be color coded, and as-built wiring diagram prepared showing all connections and colors of wiring and delivered to the Owner.
- D. Furnish certification for acceptance of control wiring from local electrical inspector prior to acceptance.

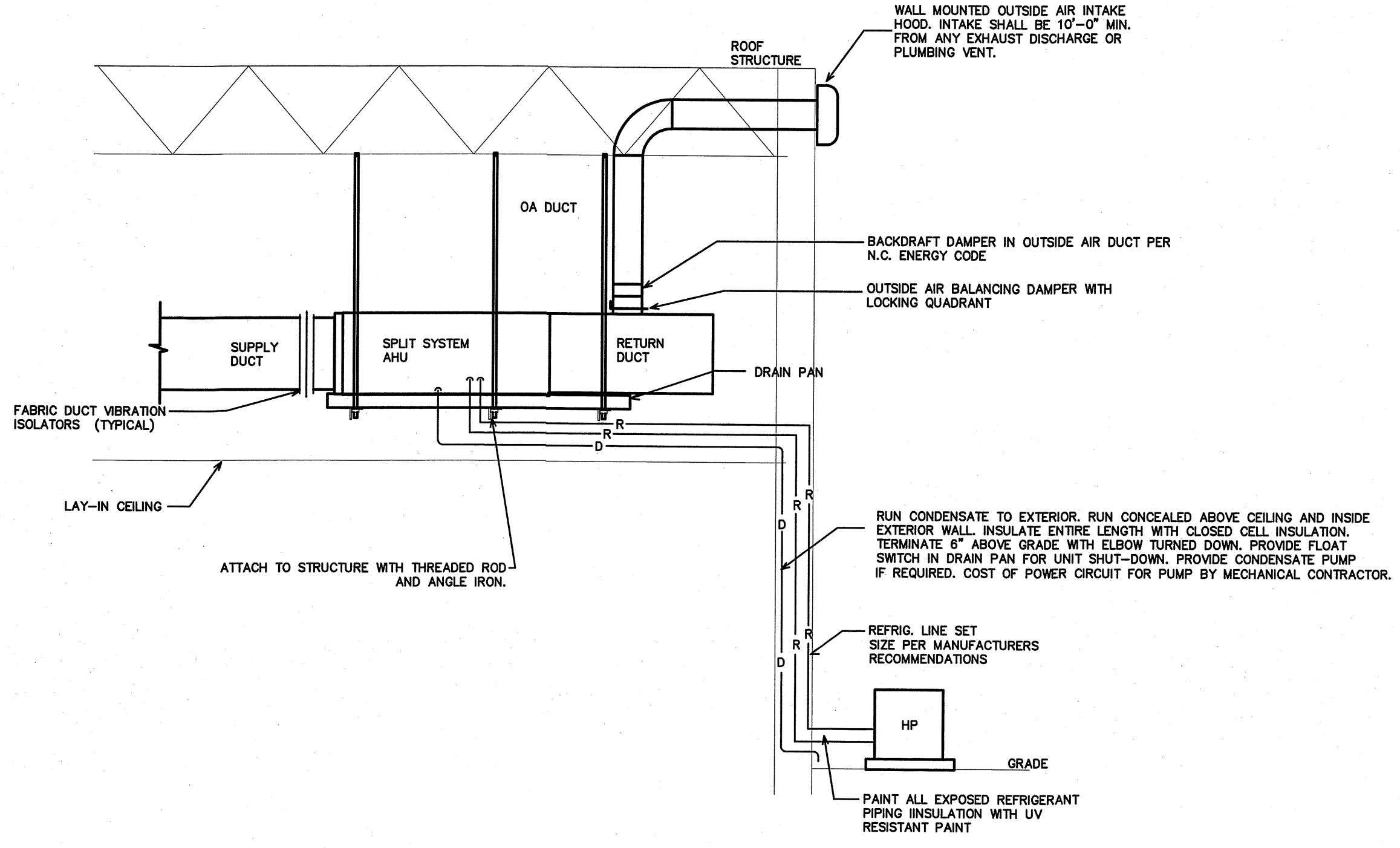
- 3.3 CLEAN UP
- A. During construction, keep the site clean of debris. Upon completion, and before final inspection, clean up the premises to remove all evidence of work. In addition upon completion of construction leave equipment clean.
- B. Furnish one box of clean filters, for each size required, at the time of final inspection to the owner.

- 3.4 OPERATOR'S MANUAL AND DIAGRAM
- A. The HVAC Contractor shall prepare in one copy a manual describing the proper maintenance and operation of the systems. This manual shall not consist of standard factory instructions (although these may be included) but shall be prepared to describe this particular job.
- B. The manual shall be bound, indexed, dated and signed by the HVAC Contractor.
- C. Qualified representative of the HVAC contractor shall meet with the designated representatives of the Owner and the Owner's representative shall be instructed in the proper operation and maintenance of the control system and other systems.

- 3.5 GUARANTEE
- A. Guarantee all materials and labor included in the HVAC work for a period of one year from date of final acceptance by the owner. In addition, motor compressors shall be a nonprorated five year warranty. Any part or parts of the work or equipment which prove to be defective during the guarantee period shall be replaced at no additional cost to the owner or tenant.
- B. All air flows must be measured and balanced to within 10% of design airflow. All equipment used must have a current certification. Provide two copies of the balance report to the owner at closeout. The HVAC contractor shall return and re-balance to occupant comfort after 90 days from close-out. Provide all balance dampers needed for satisfactory operation regardless if shown on the drawings or not, and shift location of thermostat thermostats if required for occupant comfort.



**2 DUCT CONSTRUCTION DETAILS**  
SCALE: NOT TO SCALE



**1 AIR HANDLING UNIT DETAIL**  
SCALE: NOT TO SCALE

PROJECT TITLE  
**G&D HAULING**

JARCO DRIVE  
FUQUAY-VARINA, NORTH CAROLINA

PROJECT NO.  
**1842**

DRAWING TITLE  
**HVAC SPECS AND DETAILS**



PLOT DATE **4/2/19**

This original sheet is 24" x 36"; other dimensions indicate it has been altered.  
All information on this sheet is the property of Weeks Turner Architecture and may not be duplicated in whole or in part without written authorization from Weeks Turner Architecture, 2018