

HARNETT COUNTY CENTRAL PERMITTING  
APPLICATION # *BCOM1902.0218*  
JOB NAME *CP&P Bldg Plant*  
DATE PLANS RECEIVED *2.22.19*  
SITE PLANS APPROVED  
APPROVED BY \_\_\_\_\_

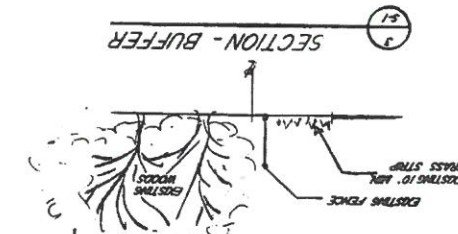
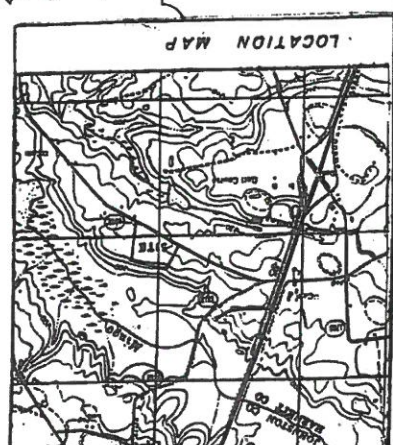
*X2*

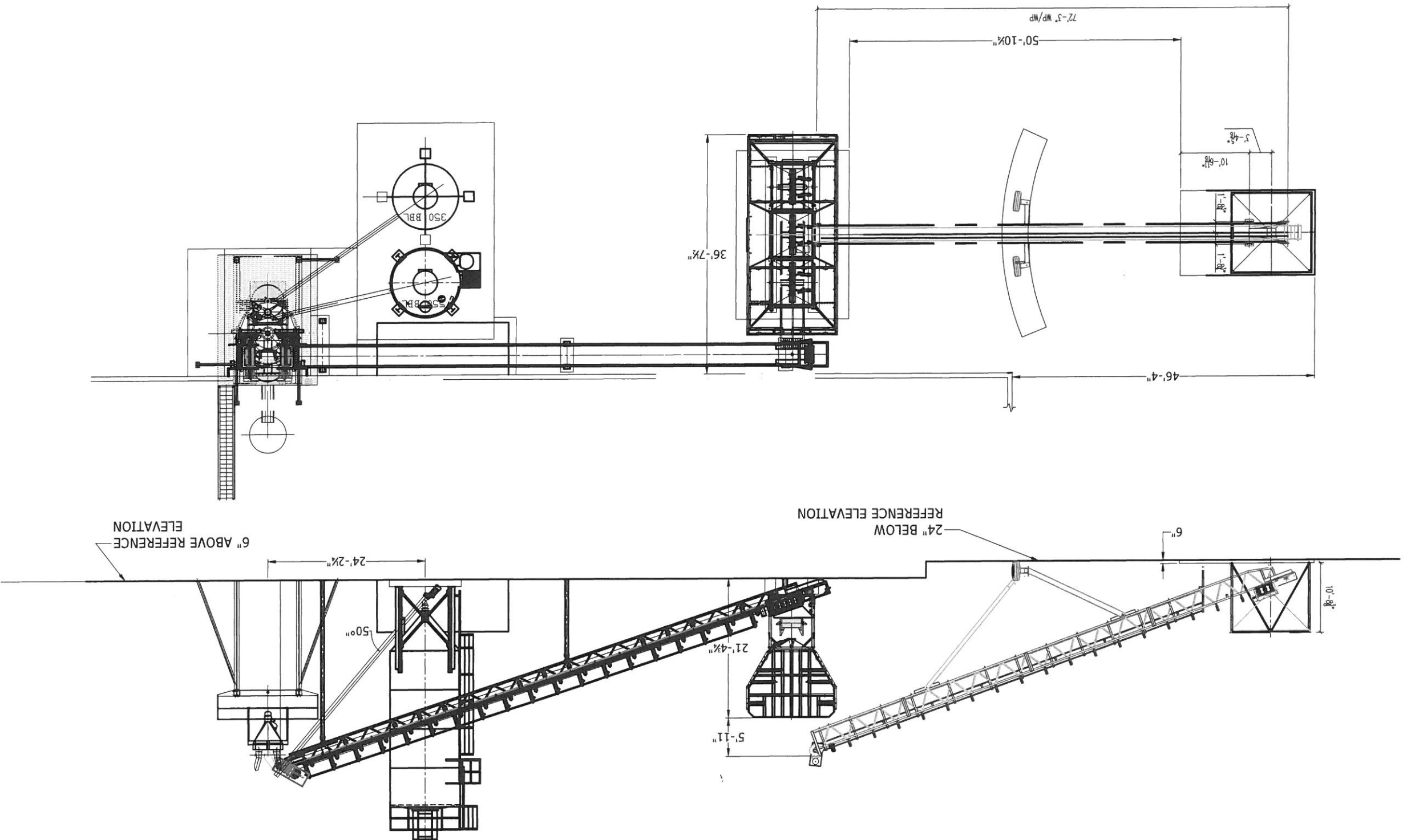
- 1. NAME: CAROLINA PRECAST CONCRETE, INC.
- 2. DATE: 8-25-06
- 3. OWNER: CAROLINA PRECAST CONCRETE, INC.
- 4. APPLICANT: ROBERT HILL, PRESIDENT
- 5. ZONING: INDUSTRIAL
- 6. PARCEL ID. NO. 0283701470
- 7. P.L. NO. 1036-SI-461000
- 8. DEED REFERENCE: E. 640/7/505
- 9. FLOOD PLANE: NOT IN FLOOD PLANE
- 10. TOTAL AREA: 17.04 ACRES
- 11. SEE ATTACHED LIST OF ANY HAZARDOUS MATERIAL ON SITE AND METHOD OF SPILL CONTROL
- 12. BUFFER REQUIREMENTS - TYPE C
- 13. HOURS OF OPERATION: 8 - 5 DAYS/WEEK
- 14. NO NEW SIGNAGE
- 15. EROSION CONTROL PLAN: 1 AC. DETERMINED
- 16. NOT NEEDED AREA: 1 AC. DETERMINED

10/19/16  
The Harnett County Planning Department hereby approves this site plan.  
Date: 10/19/16  
Harnett County Planning Dept.

| EMPLOYERS: | PAVED PARKING SPACE 9' x 18' (21/21 FT) | NO NEW SPACES NEEDED |
|------------|---|----------------------|
| ORDER - 30 | EXISTING - 143                          |                      |
| PLANT - 75 |   |                      |
| TOTAL 108  |   |                      |


\* Review to the feasibility of covering the street and concrete with all landscape materials

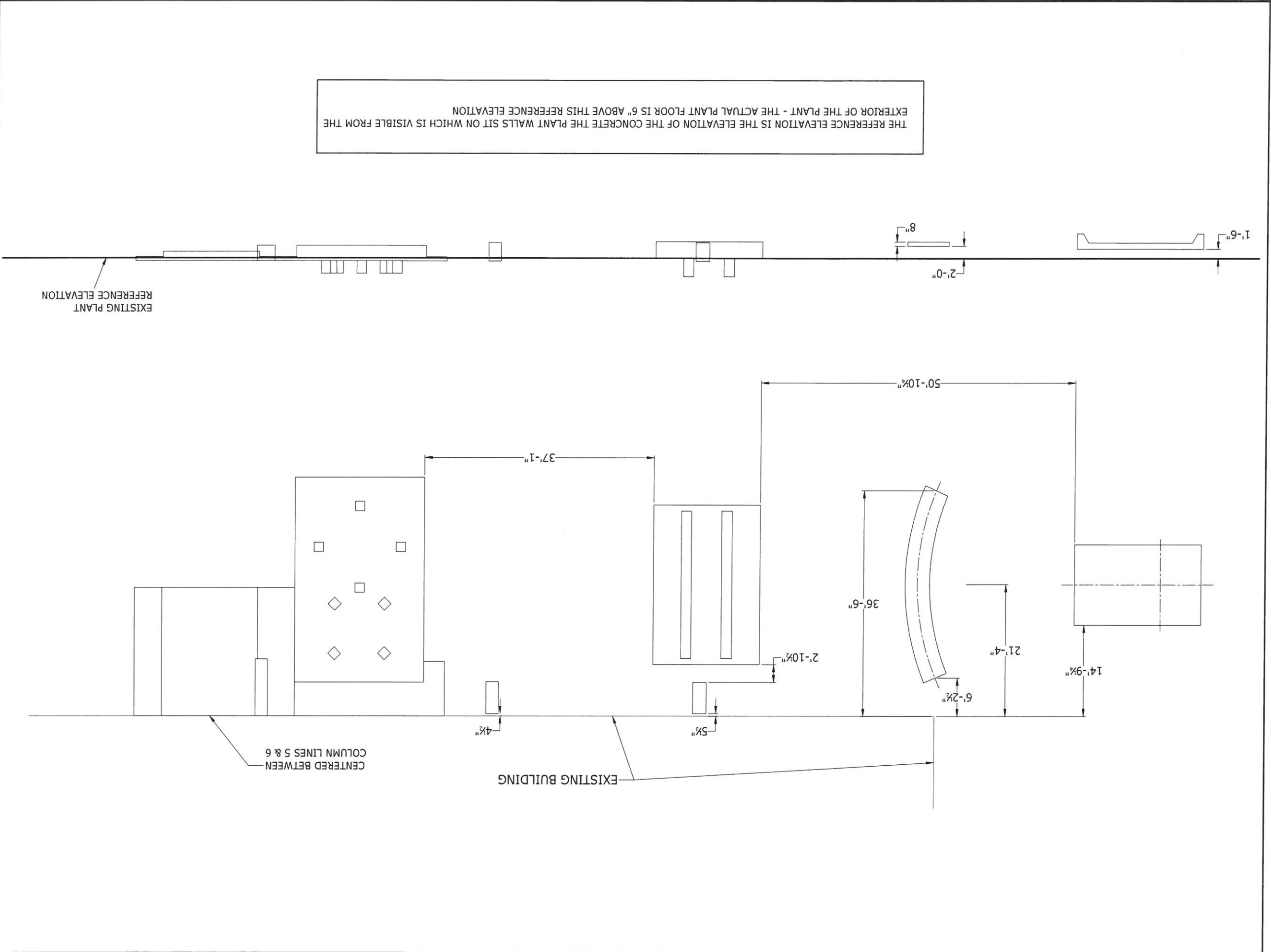




Plan and Elevation View  
Dunn Batch Plant

Page 1 #  
of 12

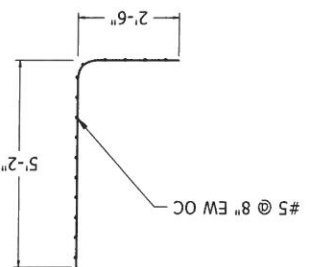
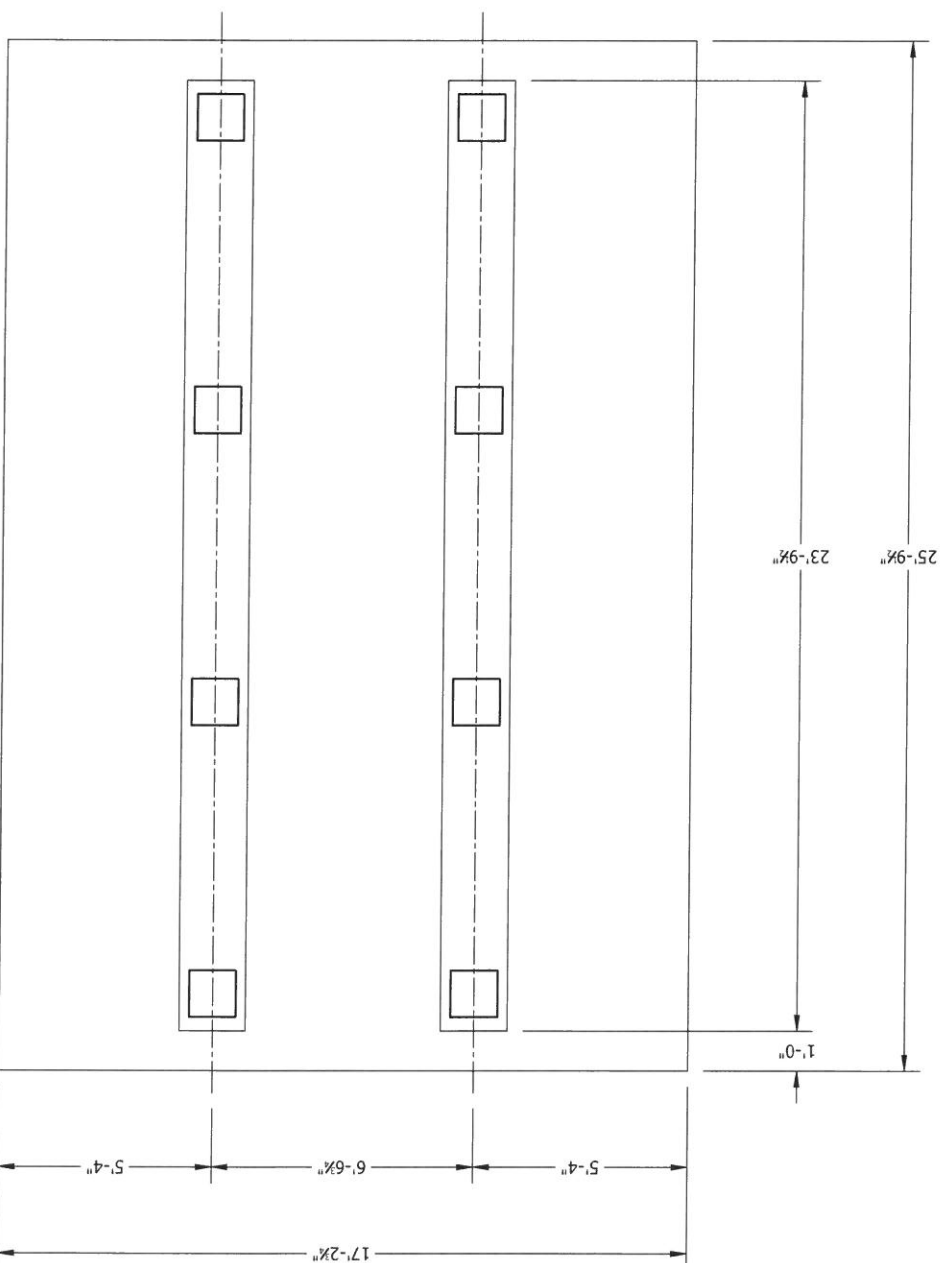
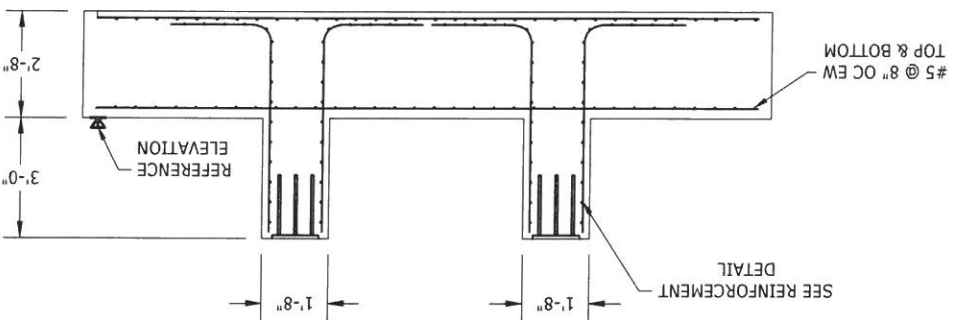
|   |      |            |                         |             |
|---|------|------------|-------------------------|-------------|
| <br>CONCRETE PIPE & PRECAST, LLC |      | For:       | Concrete Pipe & Precast |             |
|   |      | Project:   | Dunn Batch Plant        |             |
| Order:  | Str: | Dwg:       | Overall Layout          |             |
|   |      | Original:  | 05/11/18                | By/Chk: AJB |
|   |      | First Rev: | 07/18/18                | AJB         |
|   |      | Last Rev:  | 02/06/19                | AJB         |



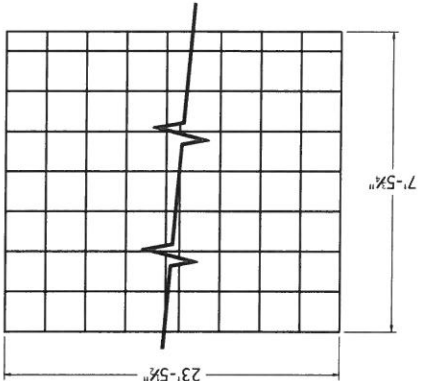
**OCCP&P**  
CONCRETE PIPE & PRECAST, LLC

|          |                         |
|----------|-------------------------|
| For:     | Concrete Pipe & Precast |
| Project: | Dunn Batch Plant        |
| Order:   | Str:                    |

|          |         |
|----------|---------|
| Date:    | By/Chk: |
| 05/11/18 | AJB     |
| 07/18/18 | AJB     |
| 02/06/19 | AJB     |

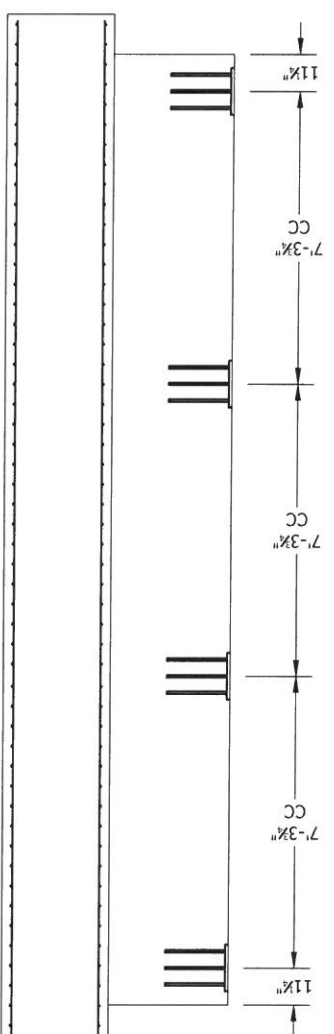


BENT



STRAIGHTENED

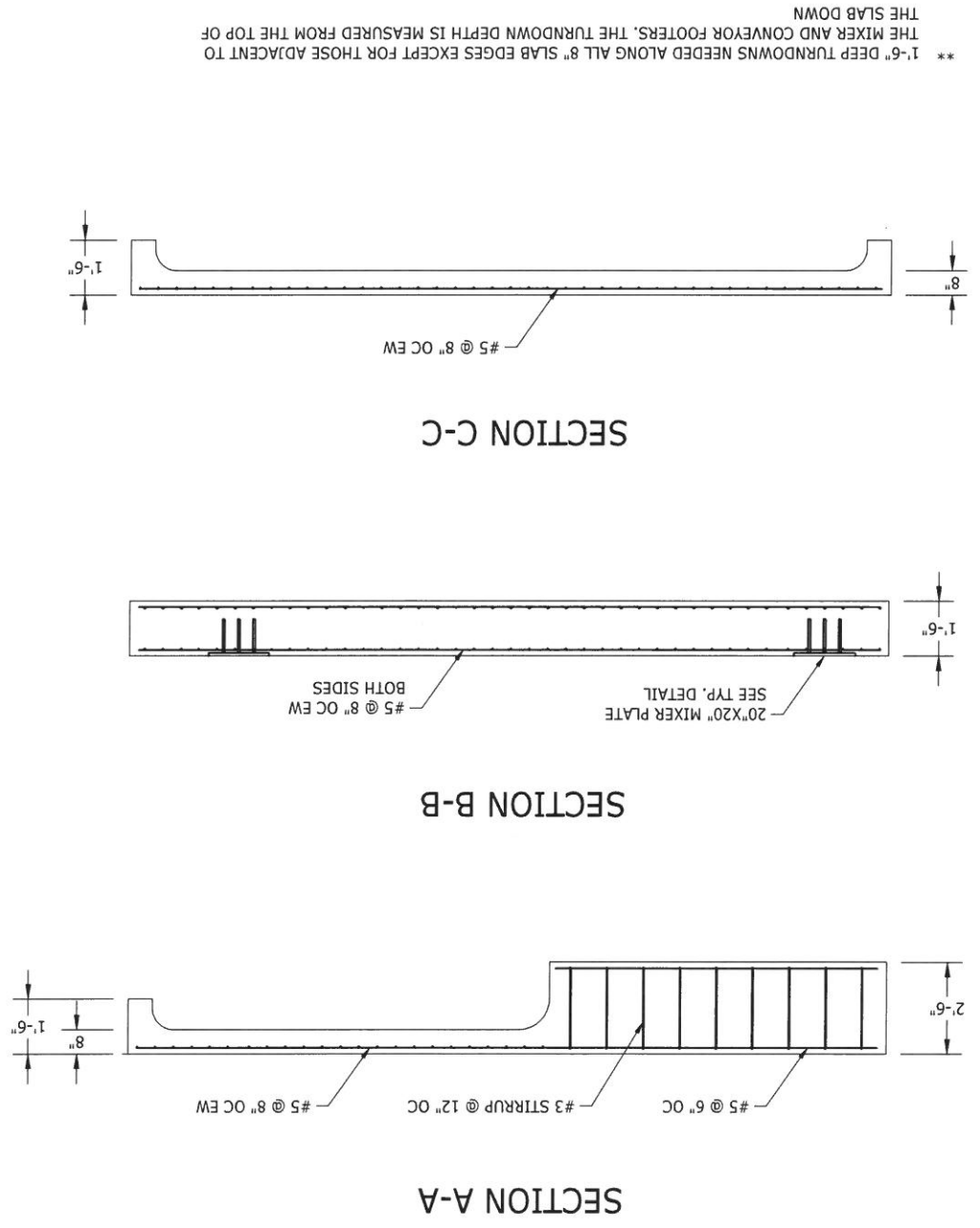
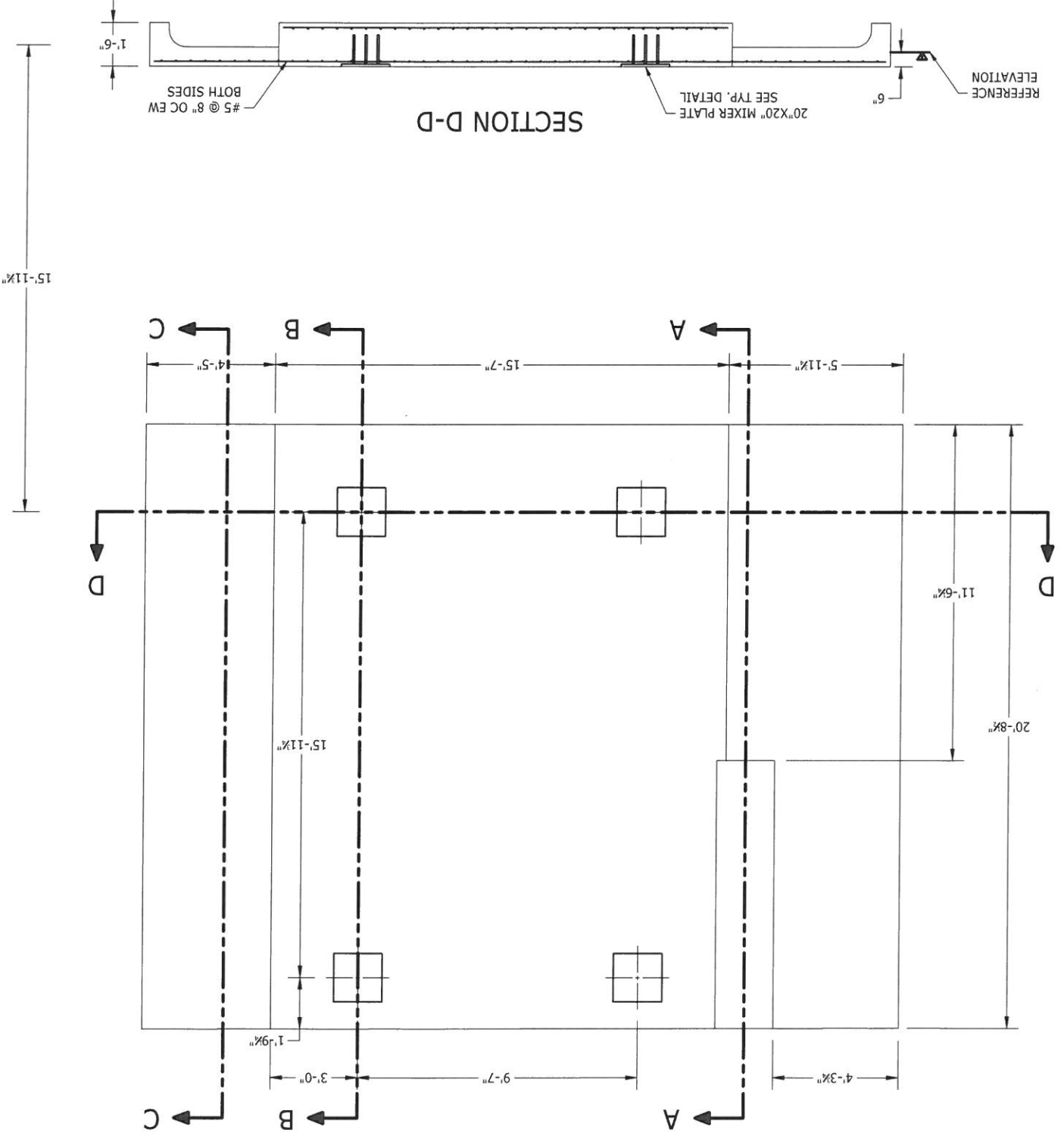
\*\* IF USING MULTIPLE MATS, USE APPROPRIATE OVERLAPS TO MAINTAIN STRENGTH \*\*



Plan and Elevation View  
Dunn Batch Plant

|                              |  |                     |  |         |  |
|------------------------------|--|---------------------|--|---------|--|
| For: Concrete Pipe & Precast |  | Date:               |  | By/Chk: |  |
| Project: Dunn Batch Plant    |  | Original: 05/11/18  |  | AJB     |  |
| Order: Str:                  |  | First Rev: 07/18/18 |  | AJB     |  |
|                              |  | Last Rev: 02/06/19  |  | AJB     |  |
| Dwg: Agg Bin Foundation      |  |                     |  |         |  |





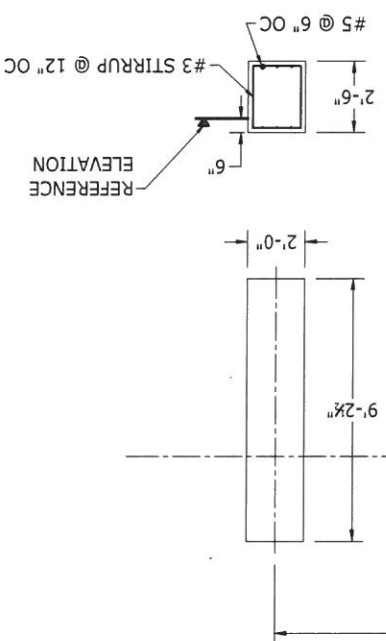
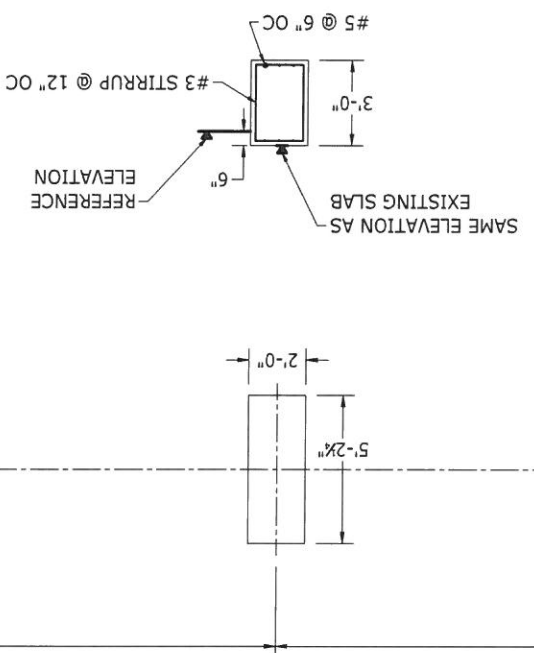
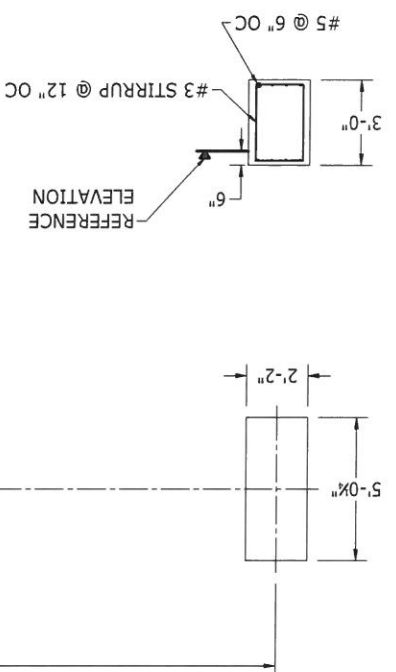
\*\* 1.6" DEEP TURNDOWNS NEEDED ALONG ALL 8" SLAB EDGES EXCEPT FOR THOSE ADJACENT TO THE MIXER AND CONVEYOR FOOTERS. THE TURNDOWN DEPTH IS MEASURED FROM THE TOP OF THE SLAB DOWN

Plan and Elevation View  
Dunn Batch Plant

|          |                         |                       |            |         |
|----------|-------------------------|-----------------------|------------|---------|
| For:     | Concrete Pipe & Precast |                       | Date:      | By/Chk: |
| Project: | Dunn Batch Plant        |                       | Original:  | AJB     |
| Order:   | Str:                    | Dwg: Mixer Foundation | First Rev: | AJB     |
|          |                         |                       | Last Rev:  | AJB     |



CONCRETE PIPE & PRECAST, LLC



AGGREGATE CONVEYOR BELT

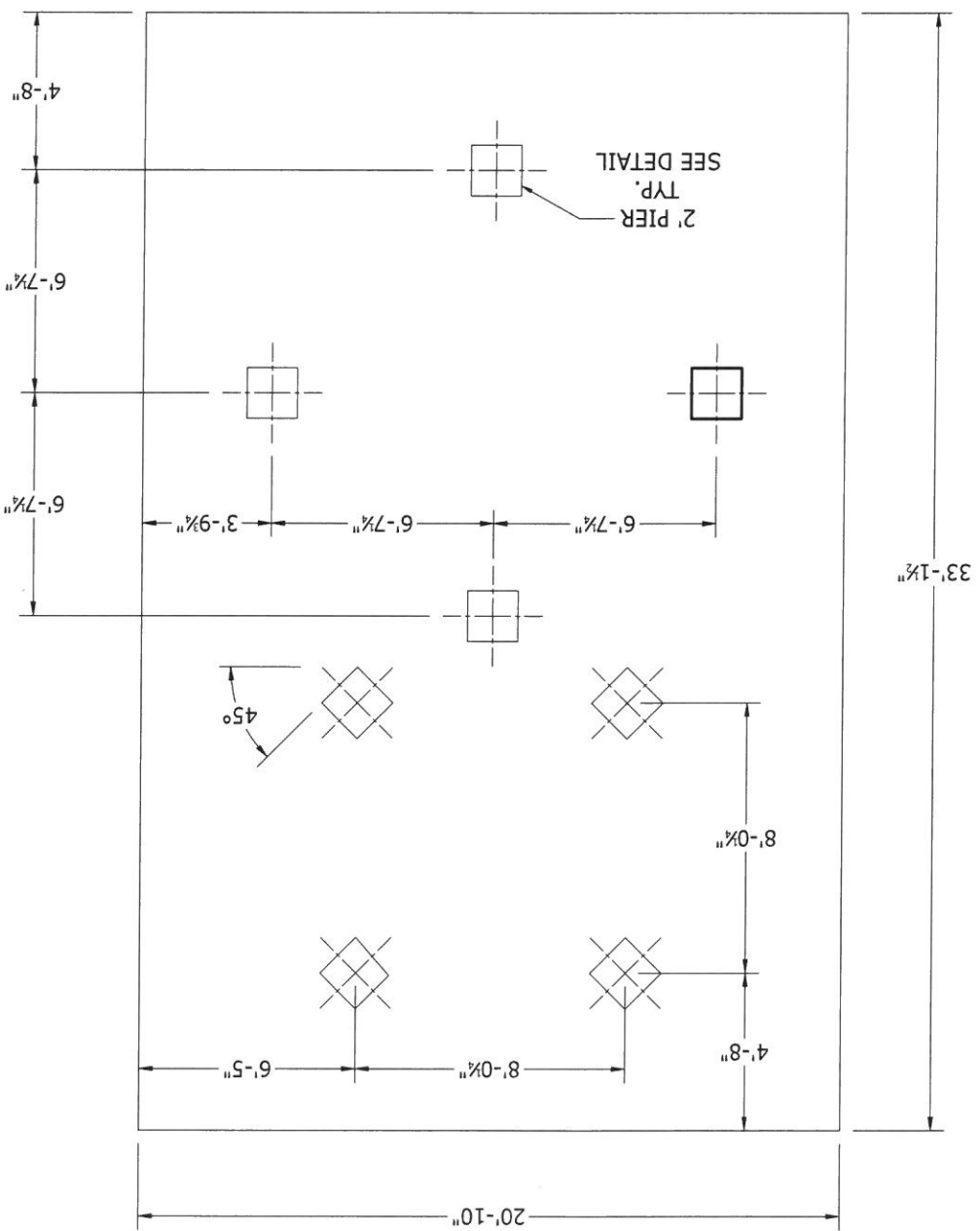
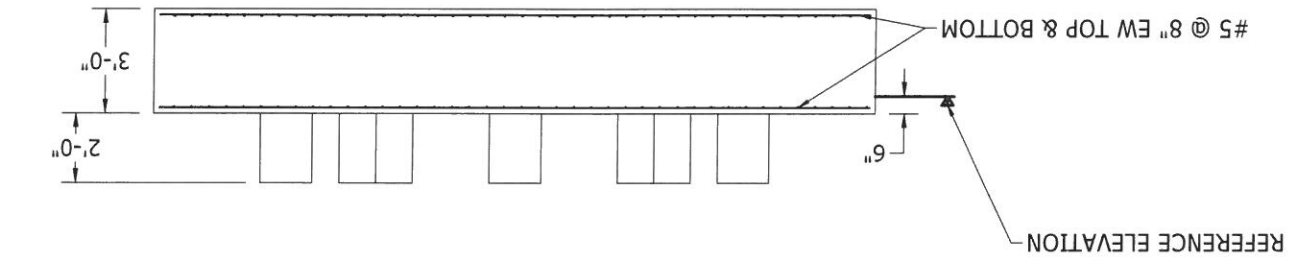
Plan and Elevation View  
Dunn Batch Plant

Page 5  
# of 12

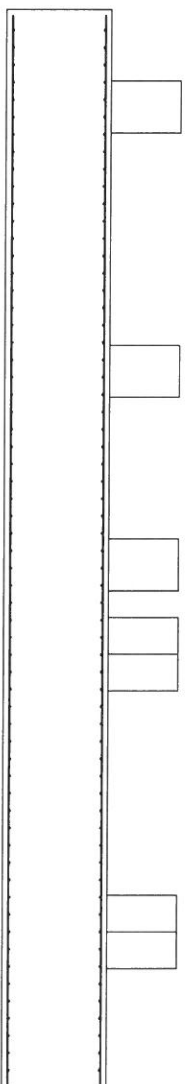
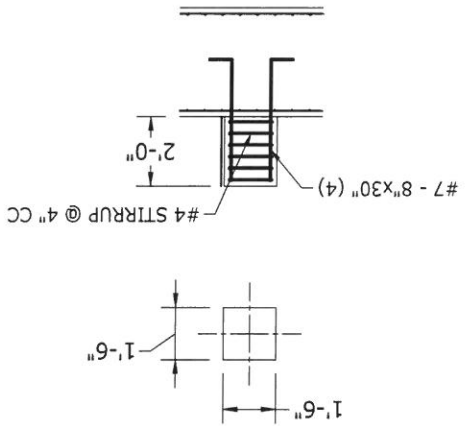
|          |                         |  |            |                  |         |     |
|----------|-------------------------|--|------------|------------------|---------|-----|
| For:     | Concrete Pipe & Precast |  | Date:      | 05/11/18         | By/Chk: | AJB |
| Project: | Dunn Batch Plant        |  | First Rev: | 07/18/18         | AJB     |     |
| Order:   | Str:                    |  | Last Rev:  | 02/06/19         | AJB     |     |
|          |                         |  | Dwg:       | Conveyor Footers |         |     |



CONCRETE PIPE & PRECAST, LLC



\*\* FIELD VERIFY CAST-IN ANCHOR BOLT PLACEMENT \*\*

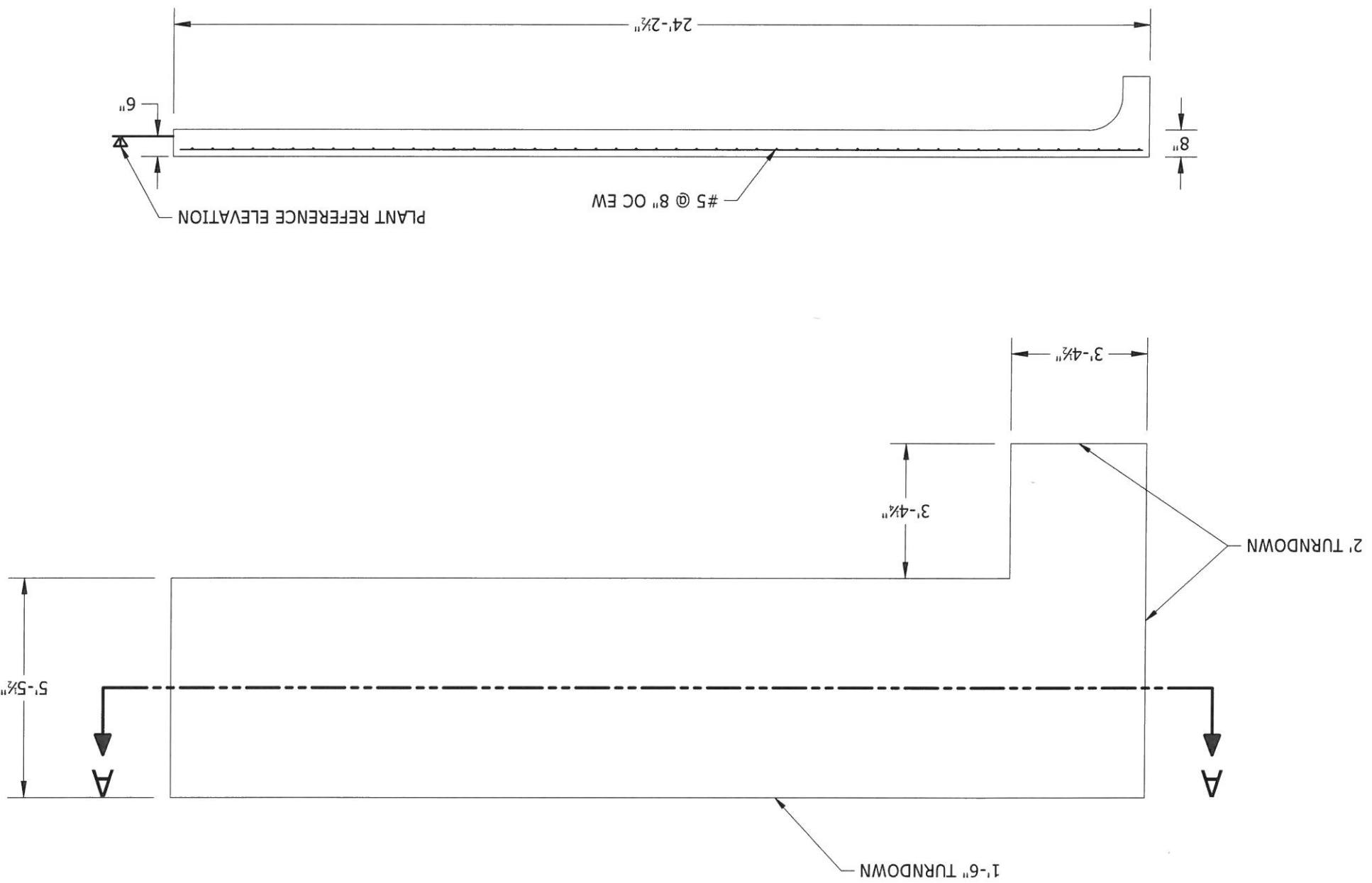


Plan and Elevation View  
Dunn Batch Plant

Page 6  
# of 12

CONCRETE PIPE & PRECAST, LLC

|          |                         |  |           |                 |            |     |
|----------|-------------------------|--|-----------|-----------------|------------|-----|
| For:     | Concrete Pipe & Precast |  | Date:     | 05/11/18        | By/Chk:    | AJB |
| Project: | Dunn Batch Plant        |  | Original: | 07/18/18        | First Rev: | AJB |
| Order:   | Str:                    |  | Last Rev: | 02/06/19        |            | AJB |
|          |                         |  | Dwg:      | Silo Foundation |            |     |



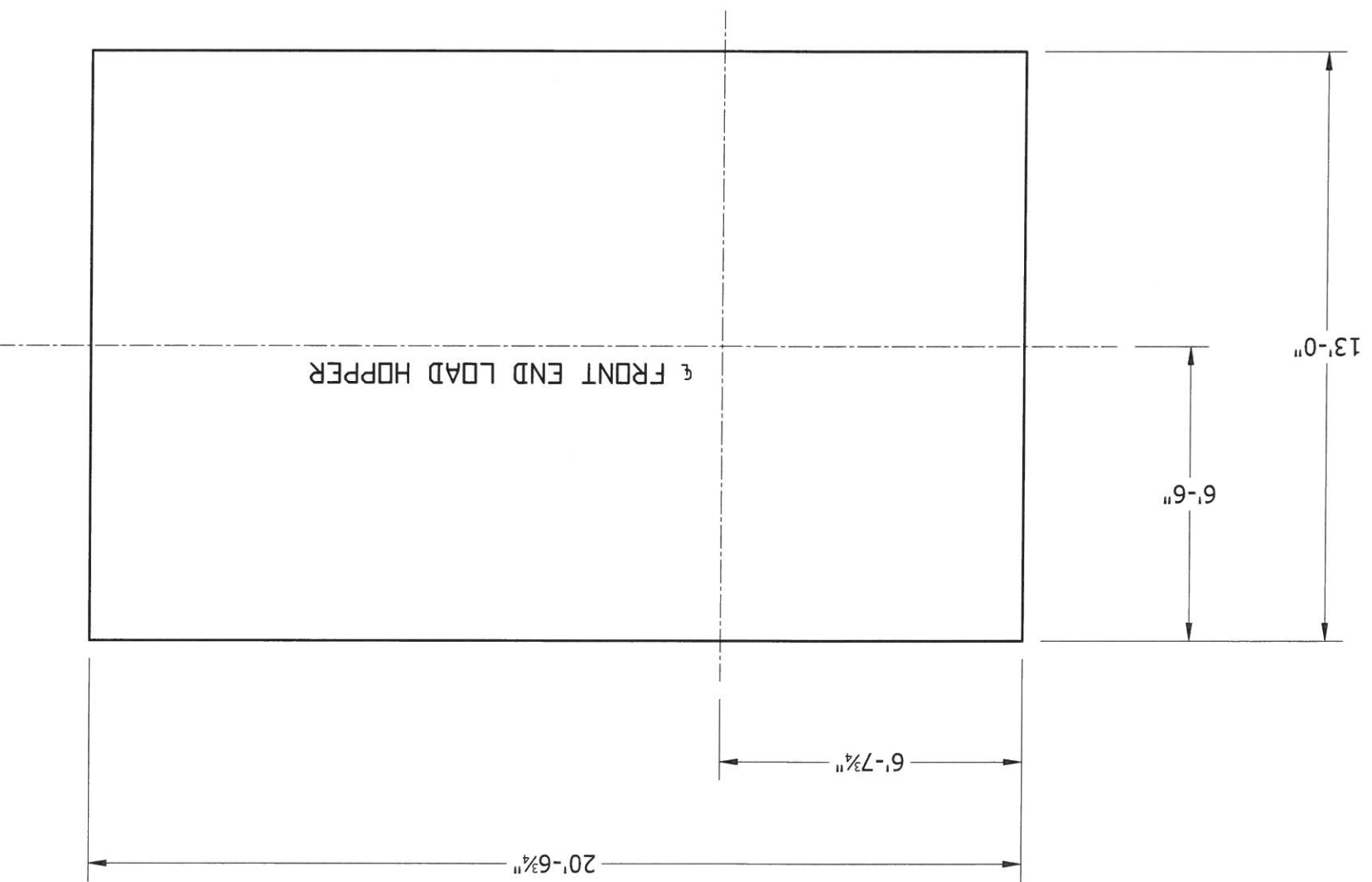
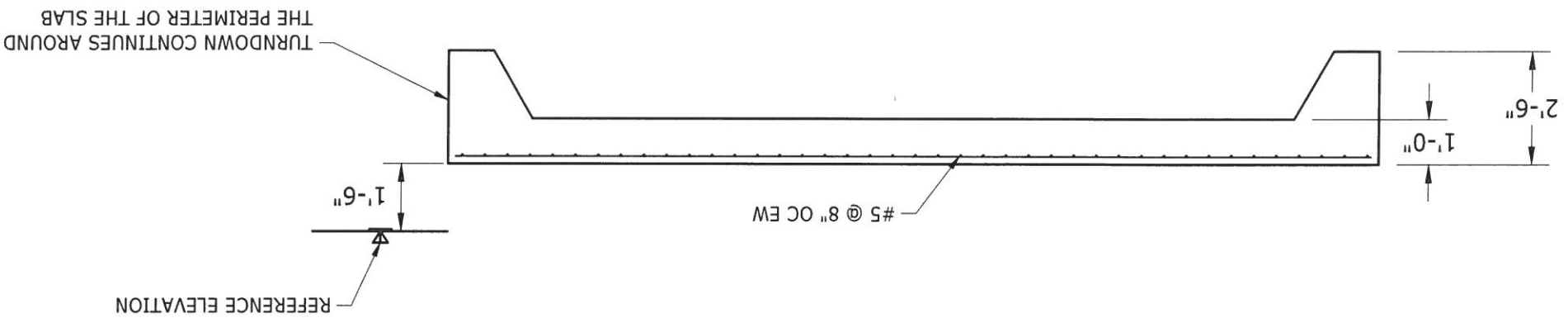
Plan and Elevation View  
Dunn Batch Plant

|          |                         |  |            |                |
|----------|-------------------------|--|------------|----------------|
| For:     | Concrete Pipe & Precast |  | Date:      | By/Chk:        |
| Project: | Dunn Batch Plant        |  | Original:  | AJB            |
| Order:   | Str:                    |  | First Rev: | AJB            |
|          |                         |  | Last Rev:  | AJB            |
|          |                         |  | Dwg:       | BCR Foundation |



CONCRETE PIPE & PRECAST, LLC

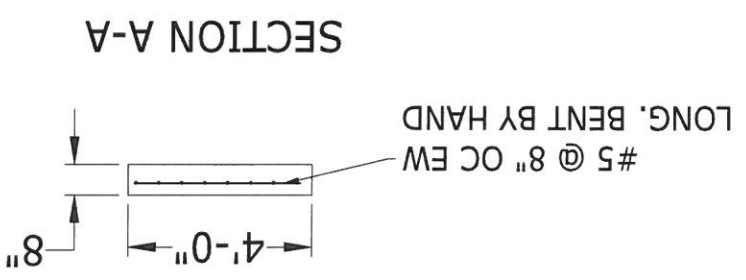
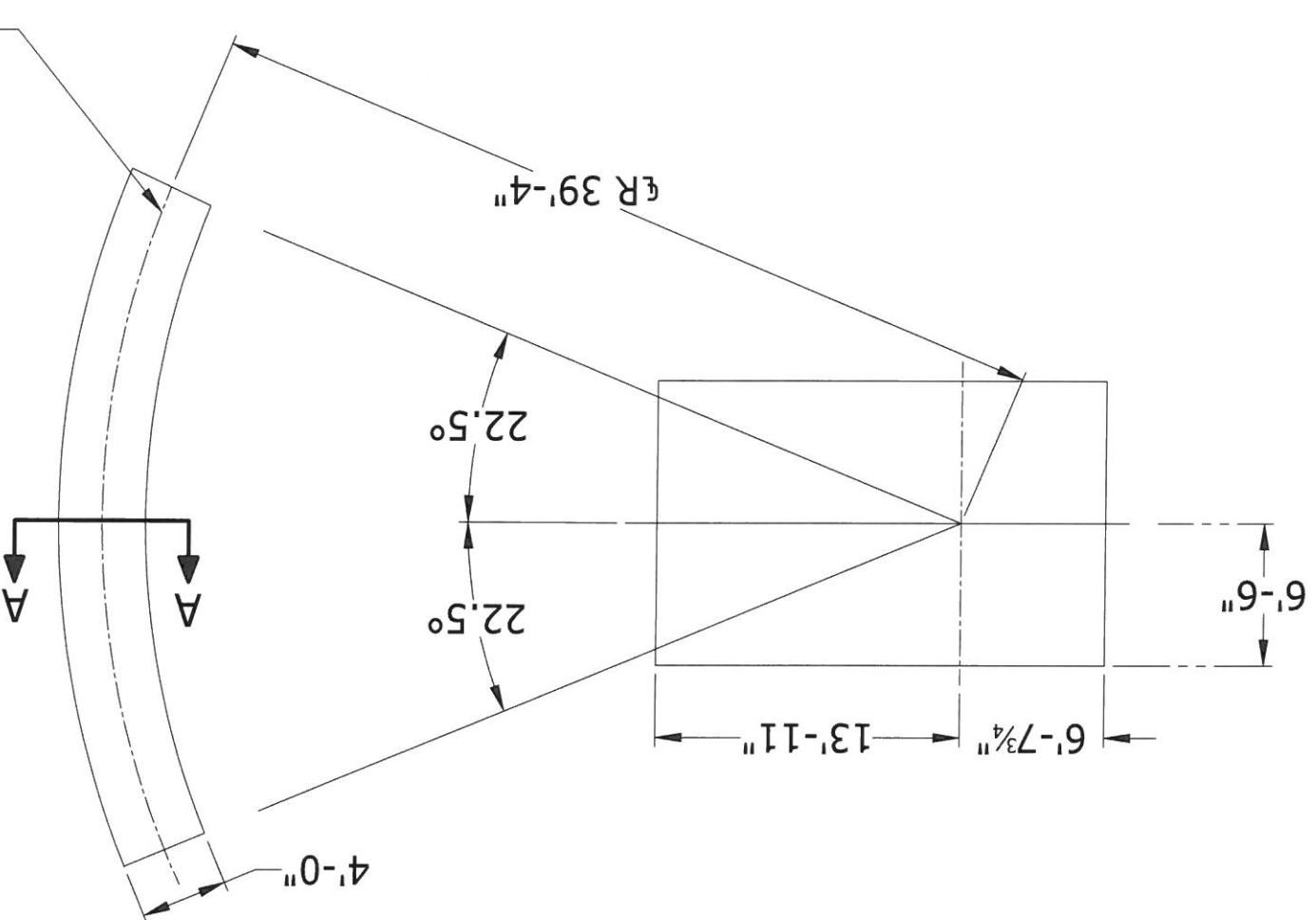




Plan and Elevation View  
Dunn Batch Plant

|          |                         |  |                     |          |         |     |
|----------|-------------------------|--|---------------------|----------|---------|-----|
| For:     | Concrete Pipe & Precast |  | Date:               | 05/11/18 | By/Chk: | AJB |
| Project: | Dunn Batch Plant        |  | First Rev:          | 07/18/18 |         | AJB |
| Order:   | Str:                    |  | Last Rev:           | 02/06/19 |         | AJB |
|          |                         |  | Dwg: LOADING HOPPER |          |         |     |





2X SCALE

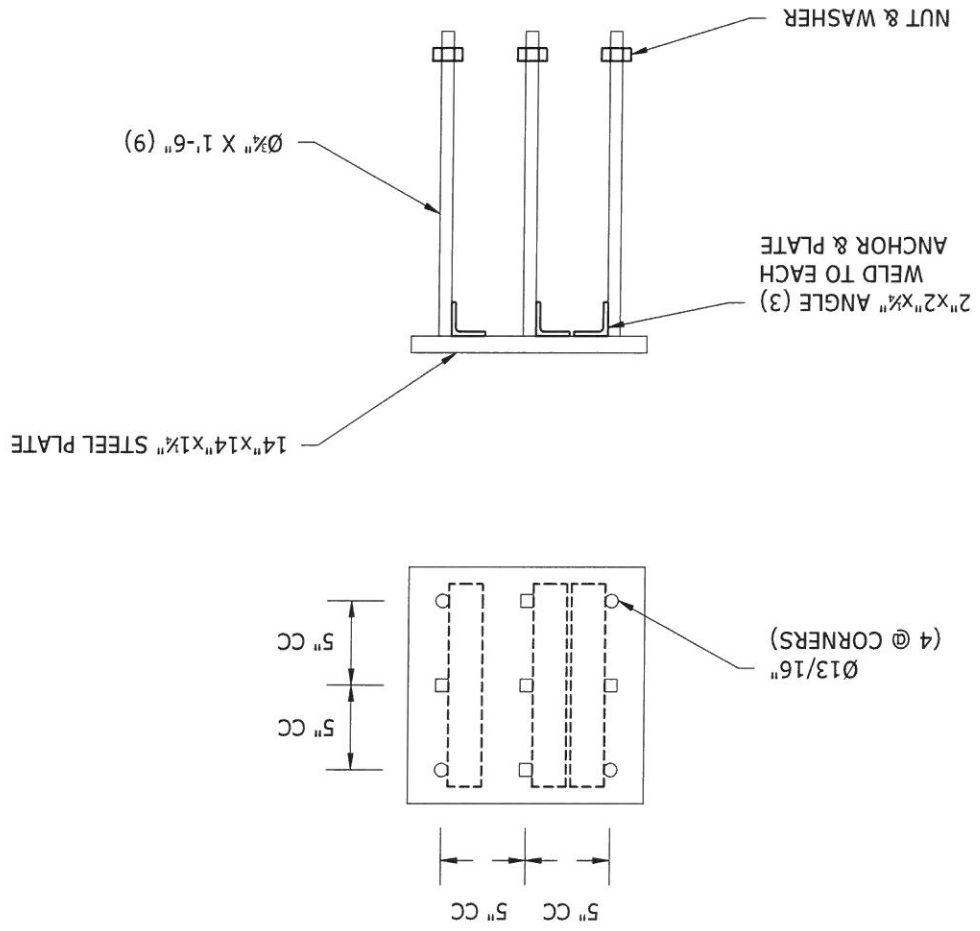
Plan and Elevation View  
Dunn Batch Plant

Page 9  
# of 12

|          |                         |  |            |            |         |     |
|----------|-------------------------|--|------------|------------|---------|-----|
| For:     | Concrete Pipe & Precast |  | Date:      | 05/11/18   | By/Chk: | AJB |
| Project: | Dunn Batch Plant        |  | First Rev: | 07/18/18   | AJB     | AJB |
| Order:   | Str:                    |  | Last Rev:  | 02/06/19   | AJB     | AJB |
|          |                         |  | Dwg:       | Radial Pad |         |     |

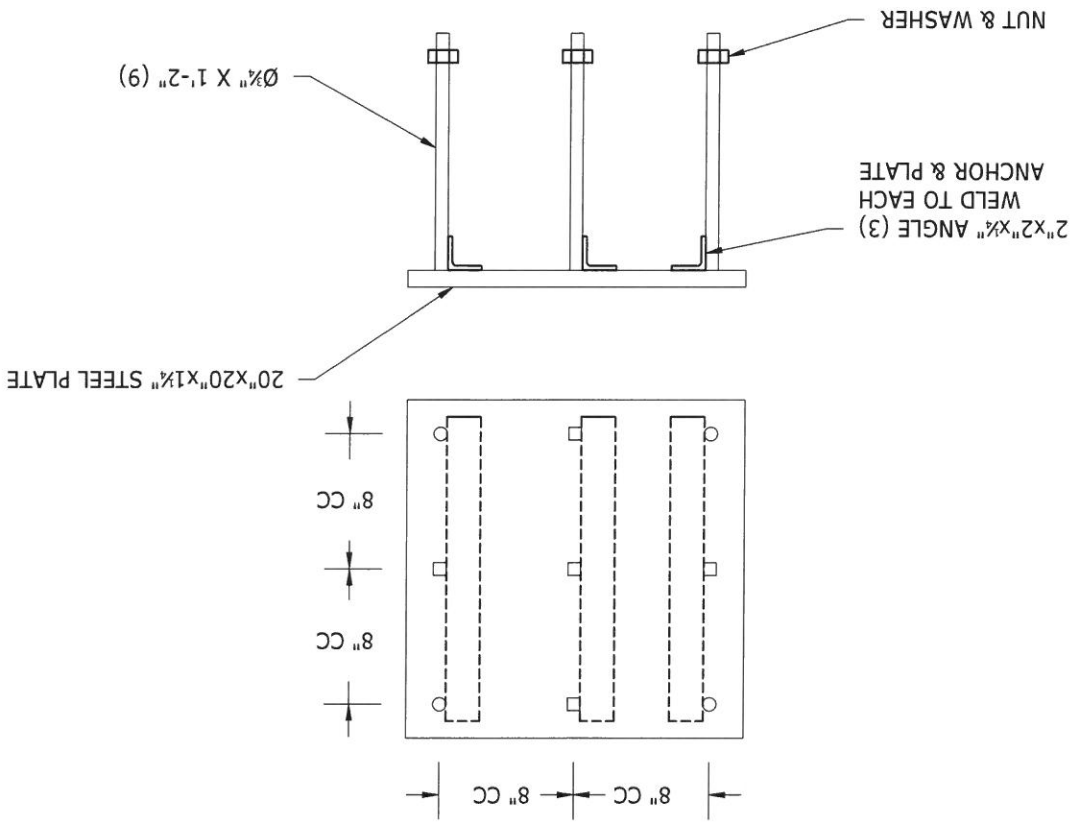


CONCRETE PIPE & PRECAST, LLC




AGGREGATE BINS (8)

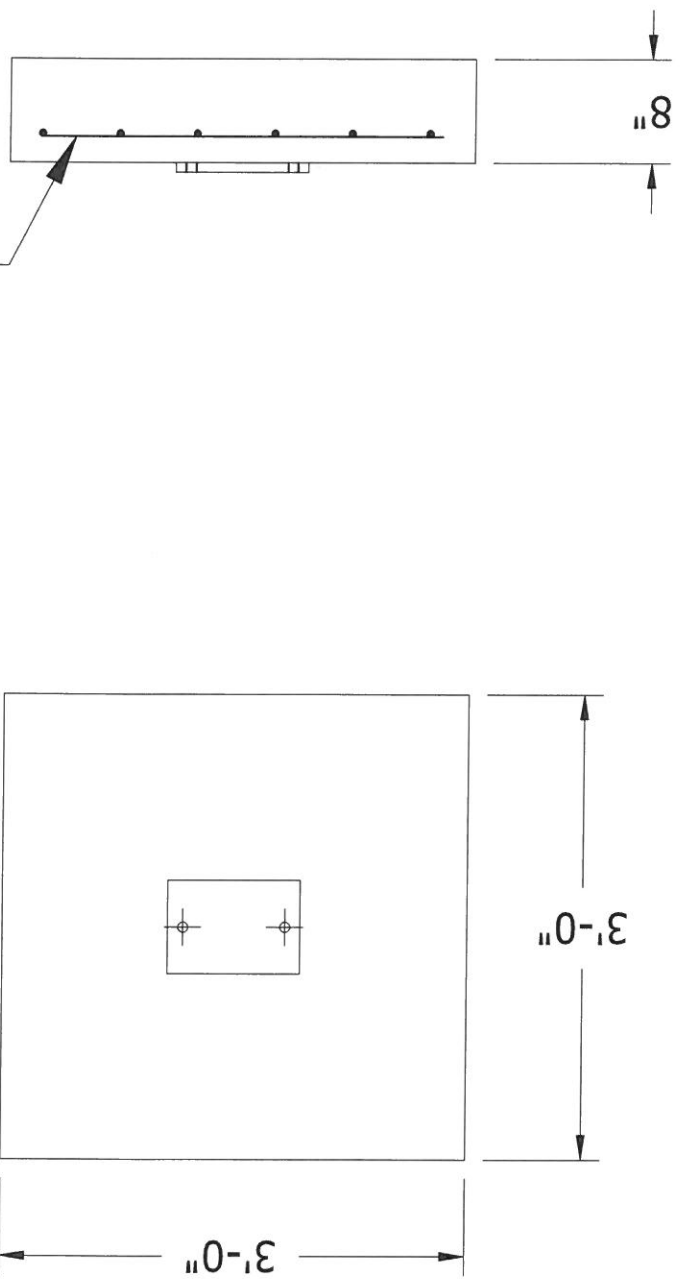
FOR BOTH WELD PLATE DESIGNS:  
 \* PLUG WELD 5 BOLTS @ TOP & BOTTOM OF PLATES,  
 ADD ANGLE @ UNDERSIDE & WELD TO BOLTS & PLATE  
 \*\* ALL A325 THREADED ROD, HEX NUTS



MIXER STAND (4)

Plan and Elevation View  
 Dunn Batch Plant

|   |      |           |                         |  |            |          |     |
|---|------|-----------|-------------------------|--|------------|----------|-----|
| <br>CONCRETE PIPE & PRECAST, LLC |      | For:      | Concrete Pipe & Precast |  | Date:      | By/Chk:  |     |
|   |      | Project:  | Dunn Batch Plant        |  | Original:  | 05/11/18 | AJB |
| Order:  | Str: | Project:  | Dunn Batch Plant        |  | First Rev: | 07/18/18 | AJB |
|   |      | Last Rev: | 02/06/19                |  |            |          | AJB |
|   |      | Dwg:      | Weld Plate Details      |  |            |          |     |

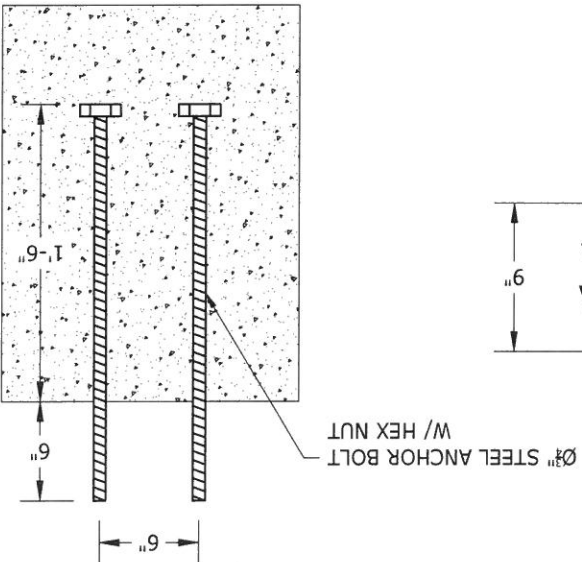
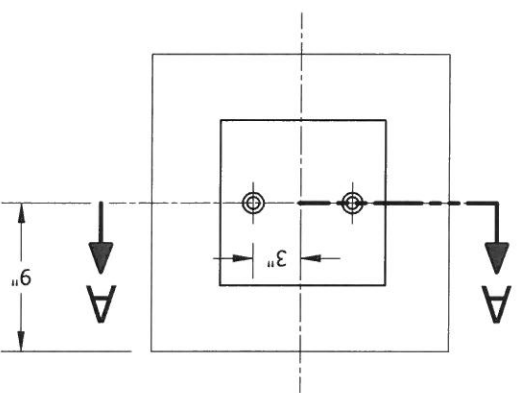
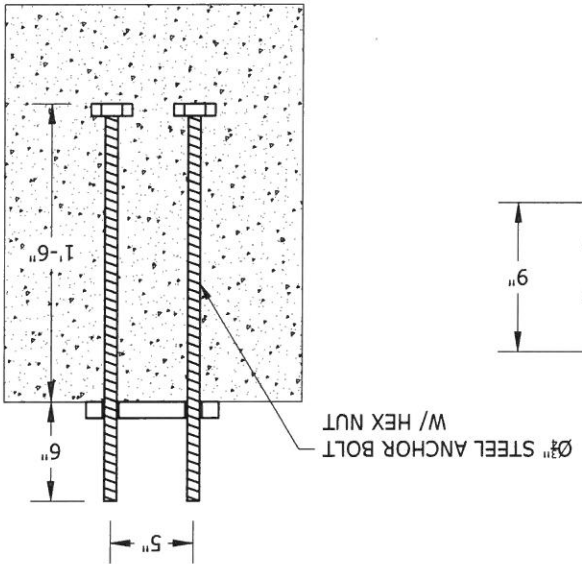
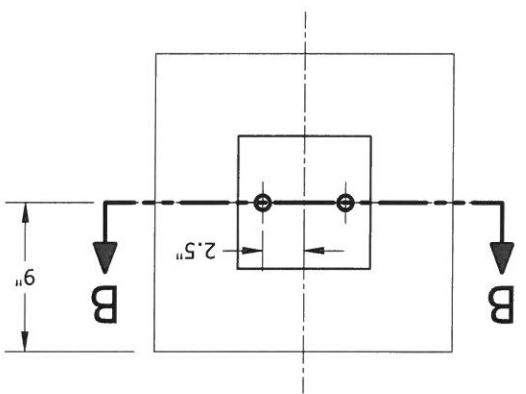
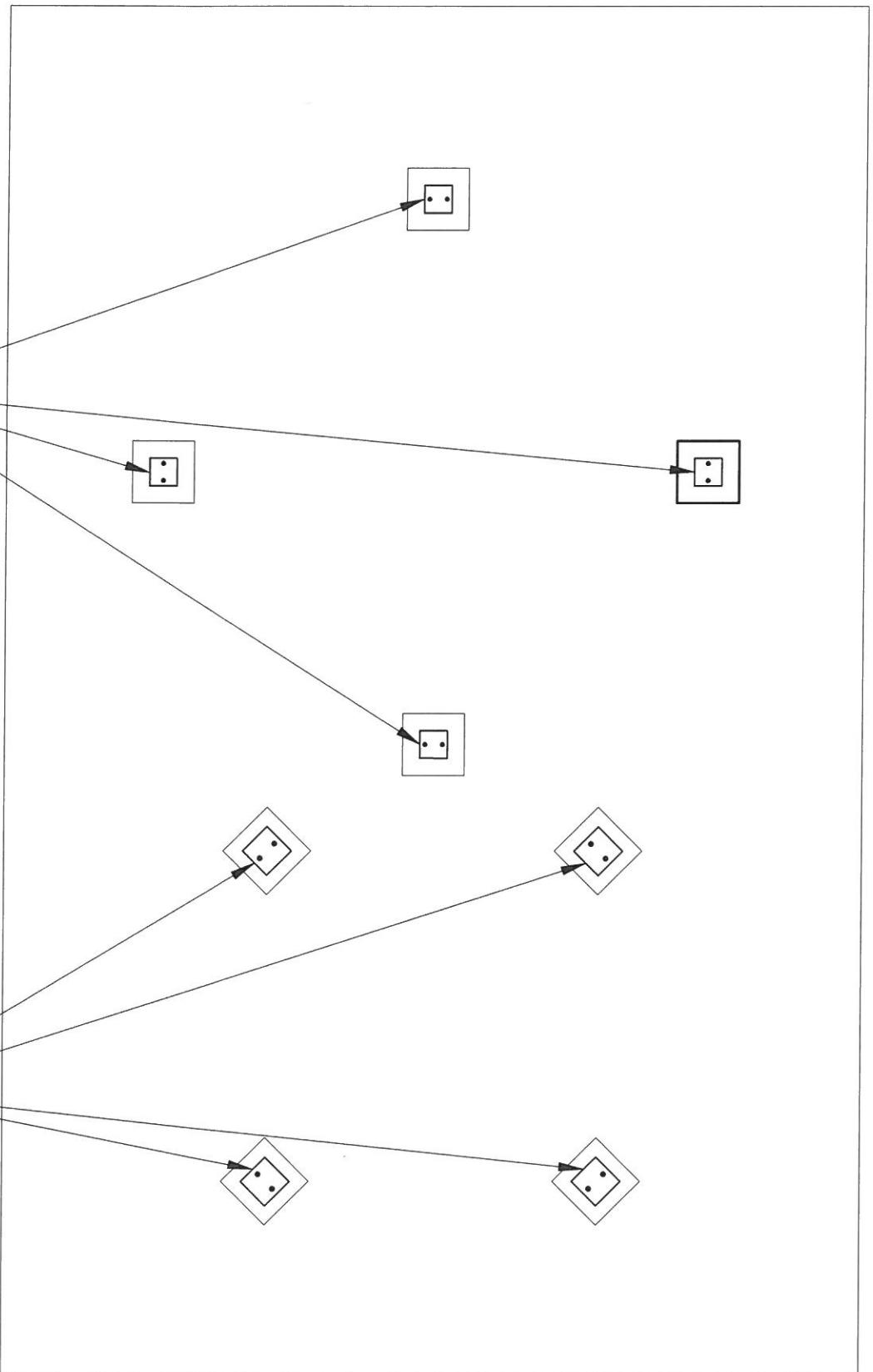


USE  $\emptyset \frac{5}{8}$ " ANCHOR BOLTS TO SECURE BASE PLATE TO SLAB  
 USE EXISTING SLAB FOR LEGS EXTENDING INTO EXISTING BUILDING

Plan and Elevation View  
 Dunn Batch Plant

Page 11 #  
 of 12

|                        |      |            |                         |     |
|------------------------|------|------------|-------------------------|-----|
|                        |      | For:       | Concrete Pipe & Precast |     |
|                        |      | Project:   | Dunn Batch Plant        |     |
| Order:                 | Str: | Date:      | By/Chk:                 |     |
|                        |      | Original:  | 05/11/18                | AJB |
|                        |      | First Rev: | 07/18/18                | AJB |
|                        |      | Last Rev:  | 02/06/19                | AJB |
| Dwg: Mixer Lat Support |      |            |                         |     |



Plan and Section View  
Dunn Batch Plant

Page 12 #  
of 12



|          |                         |              |            |         |
|----------|-------------------------|--------------|------------|---------|
| For:     | Concrete Pipe & Precast |              | Date:      | By/Chk: |
| Project: | Dunn Batch Plant        |              | Original:  | AJB     |
| Order:   | Str:                    | Dwg:         | First Rev: | AJB     |
|          |                         | ANCHOR BOLTS | Last Rev:  | AJB     |





