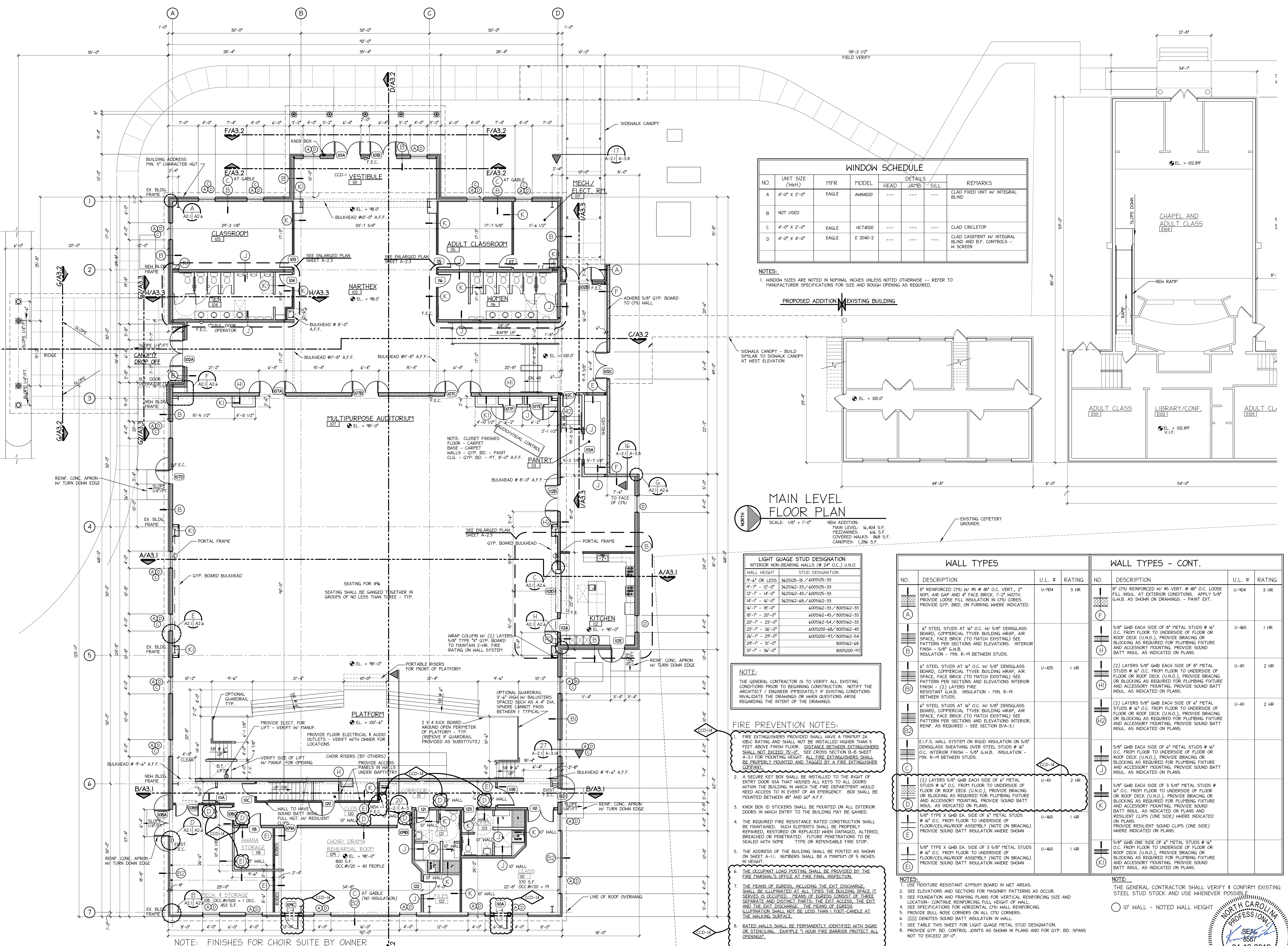
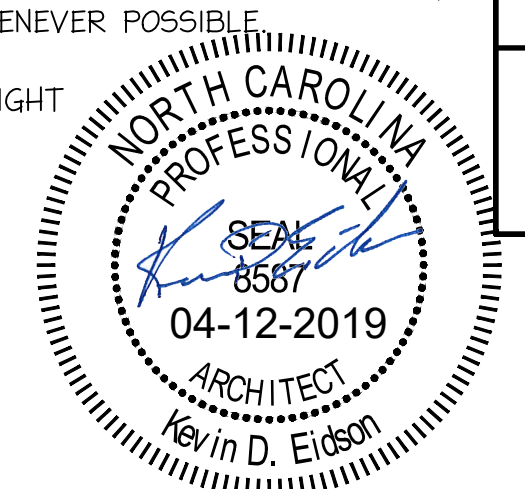
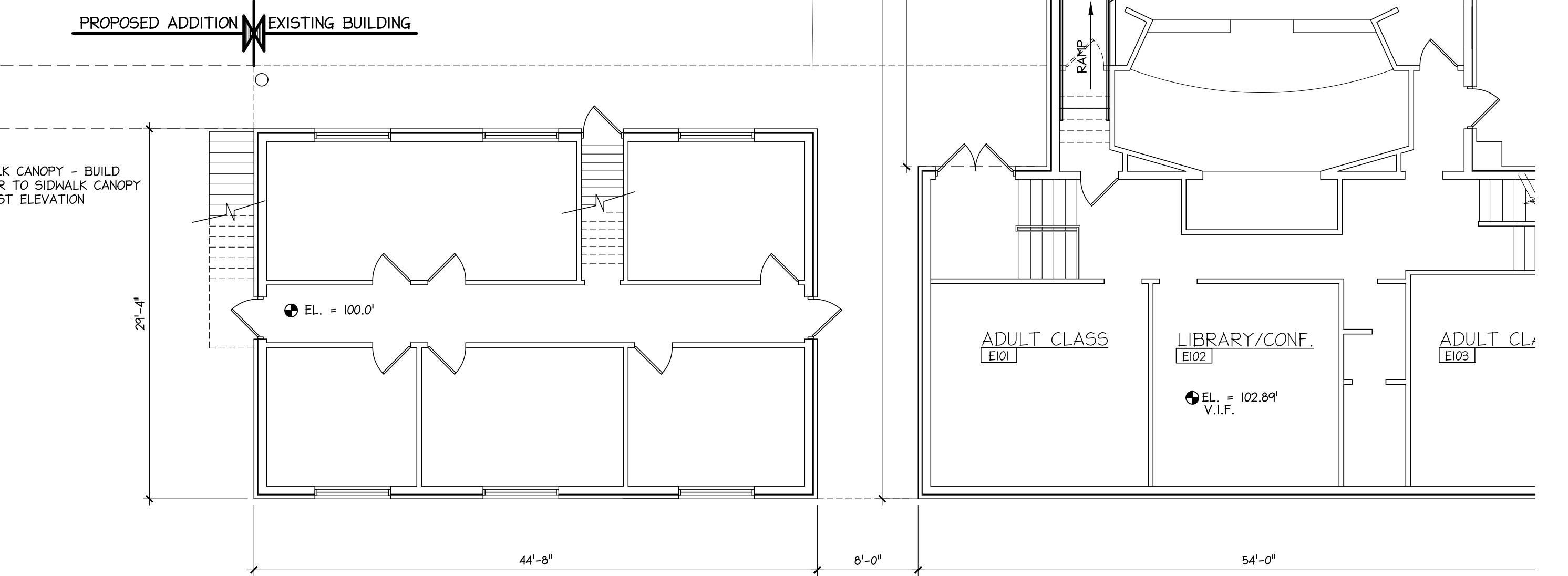


09/26/07	PRELIMINARY TO DILLON
10/10/07	REVISION FOR APPROVAL
11/10/07	FINAL APPROVAL FOR BIDS AND CONSTRUCTION
12/18/07	MEETING ON REV. FROM CDS 12/07/07
03/24/08	REVISIONS PER FIRE MARSHALL
12/1/08	CLASSROOM DESIGN
06/03/09	PLATFORM ADDITION CHAIR/DRAWN LAYOUT
04/12/19	CHAIR/DRAWN LAYOUT REVISION



NO.	UNIT SIZE (WxH)	MFR	MODEL	HEAD	JAMB	SILL	REMARKS
A	4'-0" X 2'-0"	EAGLE	ANM4020	---	---	---	CLAD FIXED UNIT W/ INTEGRAL BLIND
B	NOT USED						
C	4'-0" X 2'-0"	EAGLE	HCT4020	---	---	---	CLAD CIRCLETOP
D	4'-0" X 4'-0"	EAGLE	E 2040-2	---	---	---	CLAD CASEMENT W/ INTEGRAL BLIND AND S.F. CONTROLS - W SCREEN

NOTES:  
1. WINDOW SIZES ARE NOTED IN NOMINAL INCHES UNLESS NOTED OTHERWISE -- REFER TO MANUFACTURER SPECIFICATIONS FOR SIZE AND ROUGH OPENING AS REQUIRED.



**MAIN LEVEL FLOOR PLAN**  
SCALE: 1/8" = 1'-0"  
NEW ADDITION: MAIN LEVEL: 16,404 S.F., MEZZANINE: 616 S.F., CANOPIES: 1,286 S.F.

HALL HEIGHT	STUD DESIGNATION
9'-4" OR LESS	3625125-18 / 600525-33
9'-7" - 12'-0"	3625125-23 / 600525-33
12'-1" - 14'-0"	3625125-23 / 600525-33
14'-1" - 16'-0"	3625125-23 / 600525-33
16'-1" - 18'-0"	6005162-33 / 8005162-33
18'-1" - 20'-0"	6005162-33 / 8005162-33
20'-1" - 23'-0"	6005162-33 / 8005162-33
23'-1" - 26'-0"	6005162-43 / 8005162-43
26'-1" - 29'-0"	6005200-65 / 8005162-43
29'-1" - 31'-0"	6005200-97 / 8005162-54
31'-1" - 36'-0"	8005162-66 / 8005200-97

NOTE:  
THE GENERAL CONTRACTOR IS TO VERIFY ALL EXISTING CONDITIONS PRIOR TO BEGINNING CONSTRUCTION. NOTIFY THE ARCHITECT / ENGINEER IMMEDIATELY IF EXISTING CONDITIONS INVALIDATE THE DRAWINGS OR WHEN QUESTIONS ARISE REGARDING THE INTENT OF THE DRAWINGS.

- FIRE PREVENTION NOTES:**
- FIRE EXTINGUISHERS PROVIDED SHALL HAVE A MINIMUM 2A 10BC RATING AND SHALL NOT BE INSTALLED HIGHER THAN 5 FEET ABOVE FINISH FLOOR. DISTANCE BETWEEN EXTINGUISHERS SHALL NOT EXCEED 75'-0". SEE CROSS SECTION B-B SHEET A-3.1 FOR MOUNTING HEIGHT. ALL FIRE EXTINGUISHERS SHALL BE PROPERLY MOUNTED AND TAGGED BY A FIRE EXTINGUISHER COMPANY.
  - A SECURE KEY BOX SHALL BE INSTALLED TO THE RIGHT OF ENTRY DOOR 101A THAT HOUSES ALL KEYS TO ALL DOORS WITHIN THE BUILDING IN WHICH THE FIRE DEPARTMENT WOULD NEED ACCESS TO IN EVENT OF AN EMERGENCY. BOX SHALL BE MOUNTED BETWEEN 48" AND 60" A.F.F.
  - KNOX BOX ID STICKERS SHALL BE MOUNTED ON ALL EXTERIOR DOORS IN WHICH ENTRY TO THE BUILDING MAY BE GAINED.
  - THE REQUIRED FIRE RESISTANCE RATED CONSTRUCTION SHALL BE MAINTAINED. SUCH ELEMENTS SHALL BE PROPERLY REPAIRED, RESTORED OR REPLACED WHEN DAMAGED, ALTERED, BREACHED OR PENETRATED. FUTURE PENETRATIONS TO BE SEALED WITH SOME TYPE OR REMOVABLE FIRE STOP.
  - THE ADDRESS OF THE BUILDING SHALL BE POSTED AS SHOWN ON SHEET A-1.1. NUMBERS SHALL BE A MINIMUM OF 6 INCHES IN HEIGHT.
  - THE OCCUPANT LOAD POSTING SHALL BE PROVIDED BY THE FIRE MARSHAL'S OFFICE AT FIRE FINAL INSPECTION.
  - THE MEANS OF EGRESS, INCLUDING THE EXIT DISCHARGE, SHALL BE ILLUMINATED AT ALL TIMES THE BUILDING SPACE IS SERVED BY OCCUPANTS. MEANS OF EGRESS CONSIST OF THREE SEPARATE AND DISTINCT PARTS: THE EXIT ACCESS, THE EXIT AND THE EXIT DISCHARGE. THE MEANS OF EGRESS ILLUMINATION SHALL NOT BE LESS THAN 1 FOOT-CANDLE AT THE WALKING SURFACE.
  - RATED WALLS SHALL BE PERMANENTLY IDENTIFIED WITH SIGNS OR STENCILING. EXAMPLE 1 HOUR FIRE BARRIER PROTECT ALL OPENINGS.

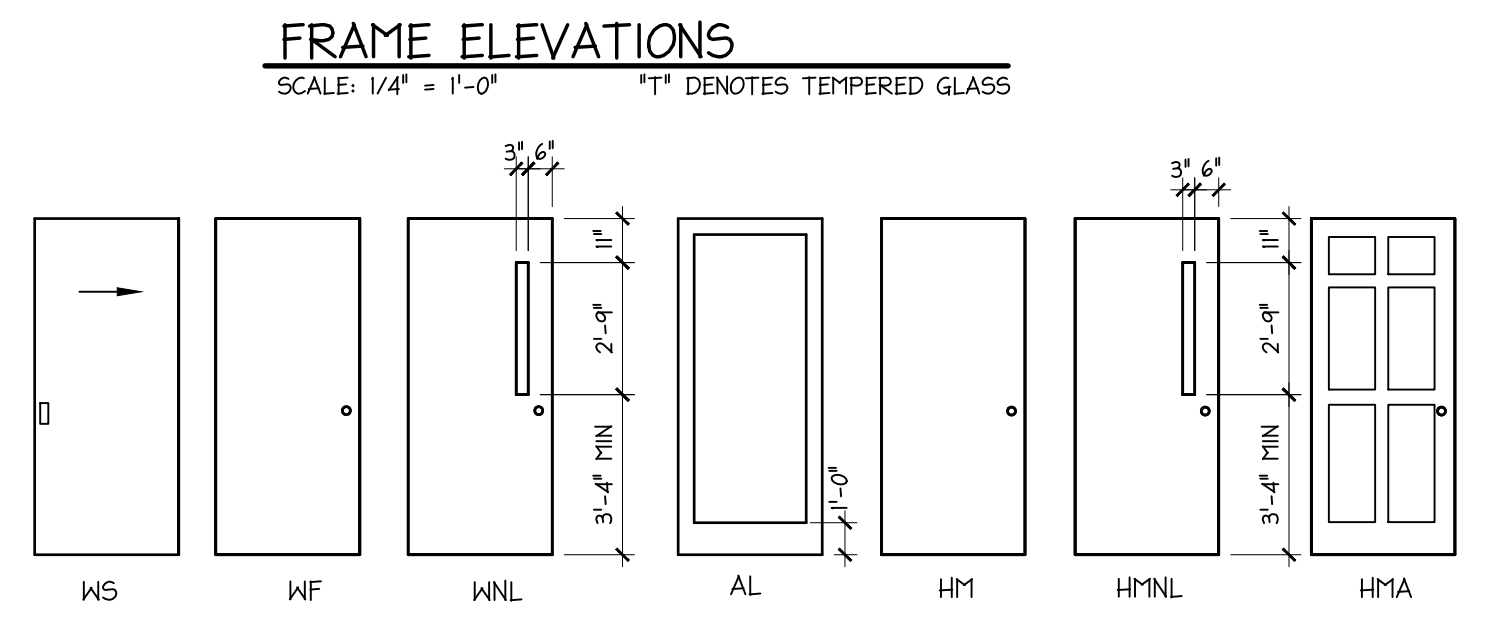
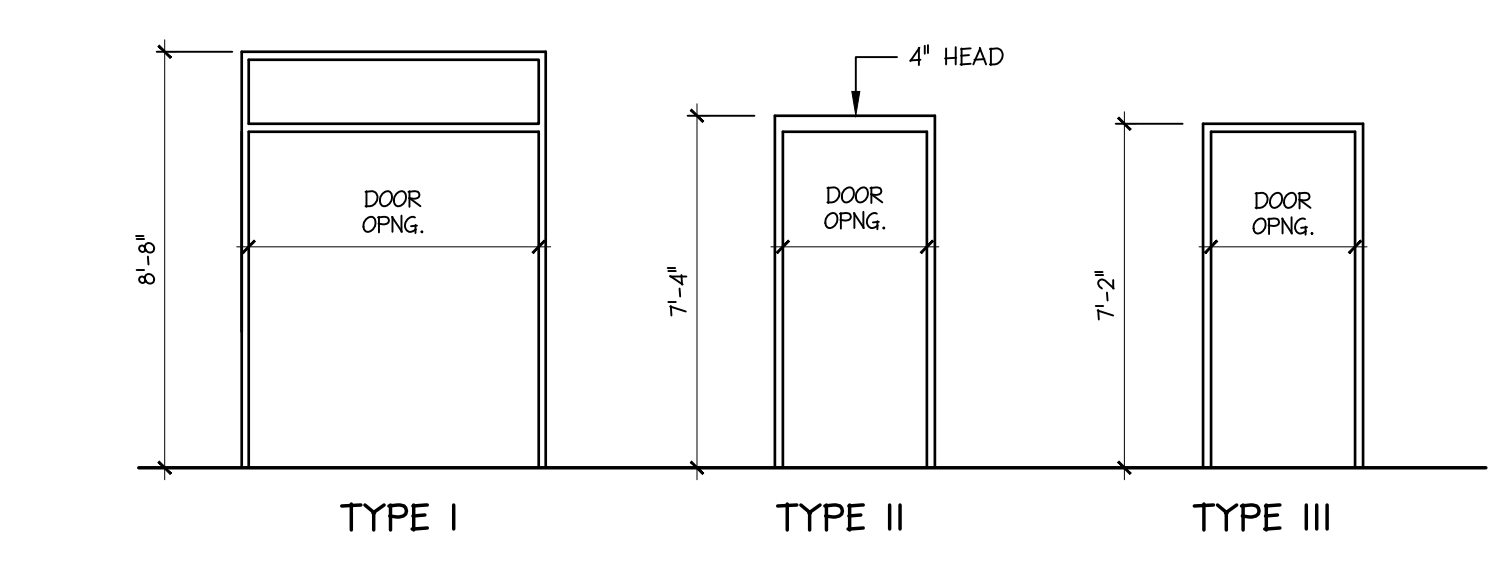
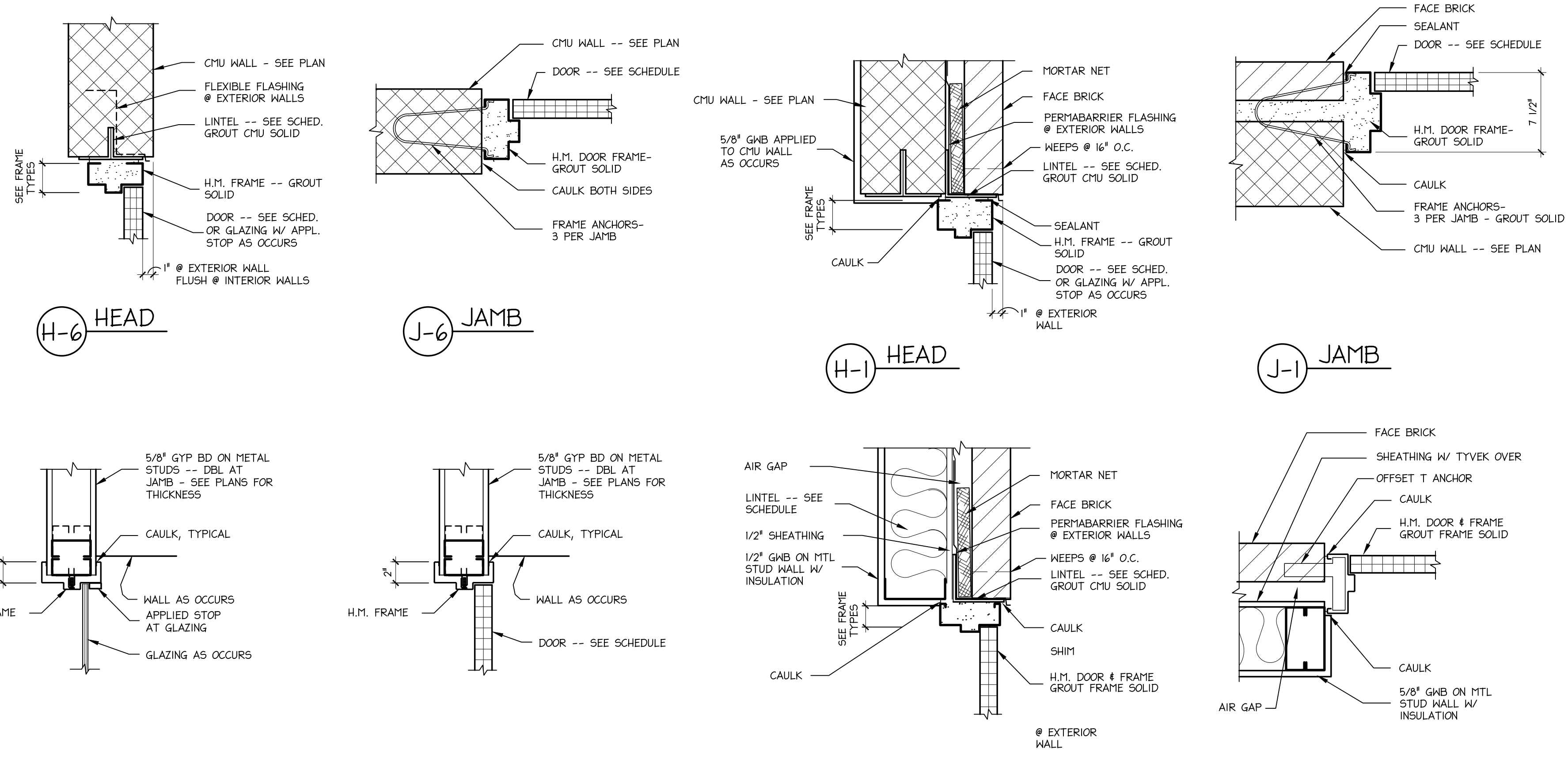
NO.	DESCRIPTION	U.L.#	RATING
A	8" REINFORCED CMU W/ #5 @ 48" O.C. VERT., 2" NOM. AIR GAP AND 4" FACE BRICK, 1'-2" WIDTH. PROVIDE GYP. BRD. ON FURRING WHERE INDICATED.	U-404	3 HR
B	6" STEEL STUDS AT 16" O.C. W/ 5/8" DENSGLOSS BOARD, COMMERCIAL TYVEK BUILDING WRAP, AIR SPACE, FACE BRICK (TO MATCH EXISTING) SEE PATTERN PER SECTIONS AND ELEVATIONS. INTERIOR FINISH - 5/8" G.I.B. INSULATION - MIN. R-19 BETWEEN STUDS.	U-425	1 HR
C	6" STEEL STUDS AT 16" O.C. W/ 5/8" DENSGLOSS BOARD, COMMERCIAL TYVEK BUILDING WRAP, AIR SPACE, FACE BRICK (TO MATCH EXISTING) SEE PATTERN PER SECTIONS AND ELEVATIONS. INTERIOR FINISH - 5/8" G.I.B. INSULATION - MIN. R-19 BETWEEN STUDS.	U-411	2 HR
D	(2) LAYERS 5/8" G.I.B. EACH SIDE OF 6" METAL STUDS @ 16" O.C. FROM FLOOR TO UNDERSIDE OF FLOOR OR ROOF DECK (U.N.O.). PROVIDE BRACING OR BLOCKING AS REQUIRED FOR PLUMBING FIXTURE AND ACCESSORY MOUNTING. PROVIDE SOUND BATT INSUL. AS INDICATED ON PLANS.	U-465	1 HR
E	5/8" TYPE X G.I.B. EA. SIDE OF 6" METAL STUDS @ 16" O.C. FROM FLOOR TO UNDERSIDE OF FLOOR OR ROOF DECK (U.N.O.). PROVIDE BRACING OR BLOCKING AS REQUIRED FOR PLUMBING FIXTURE AND ACCESSORY MOUNTING. PROVIDE SOUND BATT INSULATION WHERE SHOWN.	U-465	1 HR

NO.	DESCRIPTION	U.L.#	RATING
F	8" CMU REINFORCED W/ #5 VERT. @ 48" O.C. LOOSE FILL INSUL. AT EXTERIOR CONDITIONS. APPLY 5/8" G.I.B. AS SHOWN ON DRAWINGS. - PAINT EXT.	U-404	3 HR
G	5/8" G.I.B. EACH SIDE OF 8" METAL STUDS @ 16" O.C. FROM FLOOR TO UNDERSIDE OF FLOOR OR ROOF DECK (U.N.O.). PROVIDE BRACING OR BLOCKING AS REQUIRED FOR PLUMBING FIXTURE AND ACCESSORY MOUNTING. PROVIDE SOUND BATT INSUL. AS INDICATED ON PLANS.	U-465	1 HR
H	(2) LAYERS 5/8" G.I.B. EACH SIDE OF 6" METAL STUDS @ 16" O.C. FROM FLOOR TO UNDERSIDE OF FLOOR OR ROOF DECK (U.N.O.). PROVIDE BRACING OR BLOCKING AS REQUIRED FOR PLUMBING FIXTURE AND ACCESSORY MOUNTING. PROVIDE SOUND BATT INSUL. AS INDICATED ON PLANS.	U-411	2 HR
I	(2) LAYERS 5/8" G.I.B. EACH SIDE OF 6" METAL STUDS @ 16" O.C. FROM FLOOR TO UNDERSIDE OF FLOOR OR ROOF DECK (U.N.O.). PROVIDE BRACING OR BLOCKING AS REQUIRED FOR PLUMBING FIXTURE AND ACCESSORY MOUNTING. PROVIDE SOUND BATT INSUL. AS INDICATED ON PLANS.	U-411	2 HR
J	5/8" G.I.B. EACH SIDE OF 6" METAL STUDS @ 16" O.C. FROM FLOOR TO UNDERSIDE OF FLOOR OR ROOF DECK (U.N.O.). PROVIDE BRACING OR BLOCKING AS REQUIRED FOR PLUMBING FIXTURE AND ACCESSORY MOUNTING. PROVIDE SOUND BATT INSUL. AS INDICATED ON PLANS.	U-465	1 HR
K	5/8" G.I.B. EACH SIDE OF 3 5/8" METAL STUDS @ 16" O.C. FROM FLOOR TO UNDERSIDE OF FLOOR OR ROOF DECK (U.N.O.). PROVIDE BRACING OR BLOCKING AS REQUIRED FOR PLUMBING FIXTURE AND ACCESSORY MOUNTING. PROVIDE SOUND BATT INSULATION WHERE SHOWN.	U-465	1 HR

- NOTES:
- USE MOISTURE RESISTANT GYPSUM BOARD IN WET AREAS.
  - SEE ELEVATIONS AND SECTIONS FOR MASONRY PATTERNS AS OCCUR.
  - SEE FOUNDATION AND FRAMING PLANS FOR VERTICAL REINFORCING SIZE AND LOCATION. CONTINUE REINFORCING FULL HEIGHT OF WALL.
  - SEE SPECIFICATIONS FOR HORIZONTAL CMU WALL REINFORCING.
  - PROVIDE BULL NOSE CORNERS ON ALL CMU CORNERS.
  - (0000) DENOTES SOUND BATT INSULATION IN WALL.
  - SEE TABLE THIS SHEET FOR LIGHT GAUGE METAL STUD DESIGNATION.
  - PROVIDE GYP. BRD. CONTROL JOINTS AS SHOWN IN PLANS AND FOR GYP. BRD. SPANS NOT TO EXCEED 20'-0".

NOTE:  
THE GENERAL CONTRACTOR SHALL VERIFY & CONFIRM EXISTING STEEL STUD STOCK AND USE WHENEVER POSSIBLE.  
O 10' WALL - NOTED WALL HEIGHT

NOTE: FINISHES FOR CHOR SUITE BY OWNER



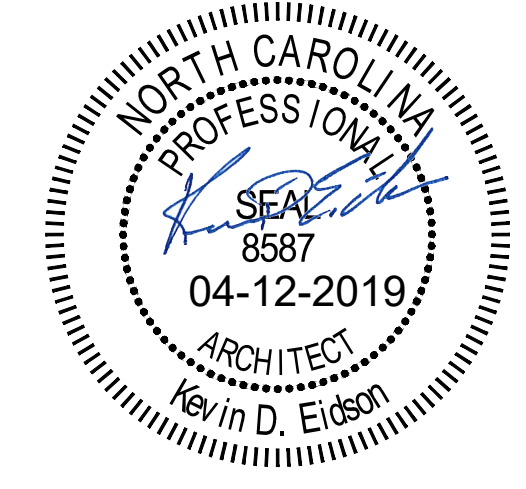
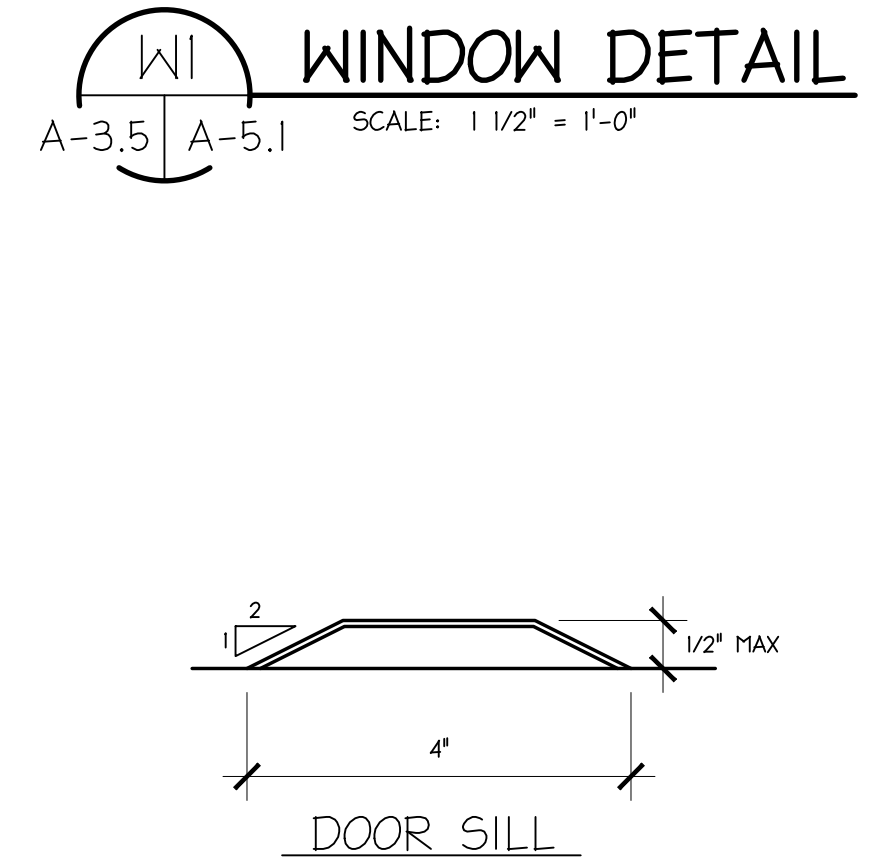
- DOOR TYPE ABBREVIATIONS**
- HF - HALF DOOR
  - WF - WOOD FULLISH
  - WL - WOOD LOUVER
  - WNL - WOOD NARROW LITE (3"x33")
  - WNL - WOOD WIDER LITE (8"x36")
  - WG - WOOD HALF LITE (24"x36")
  - WFG - WOOD FULL LITE (24"x68")
- AL - ALUMINUM STORE FRONT (MED. STILES)**  
**HM - HOLLOW METAL**  
**MC - METAL CLAD**  
**MF - METAL CLAD FULL LITE (24"x68")**  
**SL - VINYL CLAD SLIDER**  
**HN - HOLLOW METAL NARROW LITE (3"x33")**  
**CUS - CUSTOM WOOD ARCHD**

WINDOW SCHEDULE							
NO.	UNIT SIZE (WxH)	MFR	MODEL	DETAILS			REMARKS
				HEAD	JAMB	SILL	
A	4'-0" X 2'-0"	EAGLE	ANM4020	---	---	---	CLAD FIXED UNIT W/ INTEGRAL BLIND
B	NOT USED						
C	4'-0" X 2'-0"	EAGLE	HCT4020	---	---	---	CLAD CIRCLETOP
D	4'-0" X 4'-0"	EAGLE	E 2040-2	---	---	---	CLAD CASEMENT W/ INTEGRAL BLIND AND B.F. CONTROLS - W SCREEN

NOTES:  
1. WINDOW SIZES ARE NOTED IN NOMINAL INCHES UNLESS NOTED OTHERWISE -- REFER TO MANUFACTURER SPECIFICATIONS FOR SIZE AND ROUGH OPENING AS REQUIRED.

DOOR SCHEDULE															
DOOR NUMBER	DOOR LOCATION	DOOR				FRAME				GLASS		REMARKS			
		SIZE	THICKNESS	ELEV. TYPE	FINISH	ELEV. TYPE	FINISH	ELEV. TYPE	FINISH	CARD READER	GLASS DET.				
I01A	VESTIBULE	PR 3070	1 3/4	HPIA	HPI	P	-	180	H2	J2	I	HPI	P	HW-01	CYLINDER PULL EXTERIOR
I01B	VESTIBULE	PR 3070	1 3/4	HPIA	HPI	P	-	180	H2	J2	I	HPI	P	HW-02	CYLINDER PULL EXTERIOR
I02A	NARTHEX	PR 3070	1 3/4	HPIA	HPI	P	-	180	H2	J2	I	HPI	P	HW-03A	CYLINDER PULL EXT.
I02B	NARTHEX	PR 3070	1 3/4	HPIA	HPI	P	-	180	H2	J2	I	HPI	P	HW-03B	CYLINDER PULL EXT.
I02C	NARTHEX	PR 3070	1 3/4	HPIA	HPI	P	-	180	H2	J2	I	HPI	P	HW-26	CYLINDER PULL EXTERIOR
I03	CLASSROOM	3070	1 3/4	HNLD	S	-	90	H3	JB	III	HPI	P	-	HW-04	
I04	MEN	3070	1 3/4	HNLD	S	-	90	H3	JB	III	HPI	P	-	HW-05	
I07A	MULTIPURPOSE	PR 3070	1 3/4	HNLD	S	-	90	H3	JB	III	HPI	P	90	HW-07	ELECTRIC HOLD OPEN
I07B	MULTIPURPOSE	PR 3070	1 3/4	HNLD	S	-	90	H3	JB	III	HPI	P	90	HW-07	ELECTRIC HOLD OPEN
I07C	MULTIPURPOSE	PR 3070	1 3/4	HNLD	S	-	90	H3	JB	III	HPI	P	90	HW-07	ELECTRIC HOLD OPEN
I07D	MULTIPURPOSE	3070	1 3/4	HPIA	HPI	P	-	180	H2	J2	I	HPI	P	HW-06	ATTACH TO THE FRAME
I07E	MULTIPURPOSE-CLOS.	3068	1 3/4	HNLD	S	-	180	H3	JB	III	HPI	P	-	HW-04A	UNDERCUT DOOR 4"
I07F	MULTIPURPOSE-CLOS.	3068	1 3/4	HNLD	S	-	180	H3	JB	III	HPI	P	-	HW-04A	UNDERCUT DOOR 4"
I08A	MECH. & STORAGE	PR 3070	1 3/4	HPIA	HPI	P	-	180	H2	J2	I	HPI	P	HW-09	
I08B	MECH. & STORAGE	PR 3070	1 3/4	HPIA	HPI	P	-	180	H3	JB	III	HPI	P	HW-09	
I09C	MECH. & STORAGE	3070	1 3/4	HPIA	HPI	P	-	180	H3	JB	III	HPI	P	HW-09	
I09A	CHOIR/DRAWA	3070	1 3/4	HNLD	S	-	90	H3	JB	III	HPI	P	20	HW-10	
I09B	CHOIR/DRAWA	3070	1 3/4	HNLD	S	-	90	H3	JB	III	HPI	P	20	HW-10	
I09C	CHOIR/DRAWA	3070	1 3/4	HNLD	S	-	90	H3	JB	III	HPI	P	20	HW-10	
I09A	CLASSROOM	3070	1 3/4	HNLD	S	-	90	H3	JB	III	HPI	P	20	HW-10	
I09B	CLASSROOM	3070	1 3/4	HNLD	S	-	90	H3	JB	III	HPI	P	20	HW-10	
I09C	CLASSROOM	3070	1 3/4	HNLD	S	-	90	H3	JB	III	HPI	P	20	HW-10	
I10A	CORRIDOR	3070	1 3/4	HNLD	S	-	90	H3	JB	III	HPI	P	20	HW-11	
I11B	CORRIDOR	4070	1 3/4	HNLD	S	-	90	H3	JB	III	HPI	P	20	HW-12	
I11C	CORRIDOR	3070	1 3/4	HNLD	S	-	90	H3	JB	III	HPI	P	20	HW-12	
I11D	CORRIDOR	3070	1 3/4	HNLD	S	-	90	H3	JB	III	HPI	P	20	HW-08	
I12A	KITCHEN	3070	1 3/4	HNLD	S	-	90	H3	JB	III	HPI	P	90	HW-13	
I02B	KITCHEN	PR 3070	1 3/4	HNLD	S	-	90	H3	JB	III	HPI	P	90	HW-14	
I12C	KITCHEN	3070	1 3/4	HNLD	S	-	90	H3	JB	III	HPI	P	-	HW-15	
I12D	KITCHEN	10'-0" X 4'-0"	ROLLUP	GRILLE	H2	J2								HW-16	1 1/2 HR. RATED
I12E	KITCHEN	3070	1 3/4	HNLD	S	-	90	H3	JB	III	HPI	P	-	HW-17	
I13A	PANTRY	6068	1 3/4	HNLD	S	-	90	H3	JB	III	HPI	P	-	HW-18	POCKET DOOR (EA. DIRECTION)
I15	CLASSROOM	3070	1 3/4	HNLD	S	-	90	H3	JB	III	HPI	P	-	HW-04	
I16	WOMEN	3070	1 3/4	HNLD	S	-	90	H3	JB	III	HPI	P	-	HW-05	
I17	MECH/ELECTRICAL	3070	1 3/4	HNLD	S	-	90	H3	JB	III	HPI	P	-	HW-20	
I18	MECH/ELECTRICAL	3070	1 3/4	HNLD	S	-	90	H3	JB	III	HPI	P	45	HW-20	
I20	CLOSET	3070	1 3/4	HNLD	S	-	90	H3	JB	III	HPI	P	-	#	
I21	MENS RESTROOM	3070	1 3/4	HNLD	S	-	90	H3	JB	III	HPI	P	20	#	
I22	FILES	3070	1 3/4	HNLD	S	-	90	H3	JB	III	HPI	P	-	#	
I23	WOMENS RESTROOM	3070	1 3/4	HNLD	S	-	90	H3	JB	III	HPI	P	20	#	
<b>MEZZANINE</b>															
206	MECHANICAL	3070	1 3/4	HNLD	S	-	90	H3	JB	III	HPI	P	-	HW-26	PAINT TO MATCH WALL
207	MECHANICAL	3070	1 3/4	HNLD	S	-	90	H3	JB	III	HPI	P	-	HW-26	PAINT TO MATCH WALL

- NOTES:**
- EGRESS DOOR HARDWARE SHALL BE READILY OPENABLE FROM THE SIDE FROM WHICH EGRESS IS TO BE MADE WITHOUT THE USE OF A KEY OR SPECIAL KNOWLEDGE OR EFFORT.
  - ALL DOORS SHALL HAVE 3 HINGES PER LEAF.
  - ALL DOORS SHALL HAVE HANDLES, PULLS, LATCHES, AND OTHER TYPES OF OPERATING DEVICES WHICH DO NOT REQUIRE TIGHT GRASPING, TIGHT PINCHING, OR THISTING OF THE WRIST TO OPERATE. ALL DOOR HARDWARE SHALL BE NO HIGHER THAN 48" A.F.F.
  - ALL B.F. ENTRY DOORS TO BE INDICATED WITH THE BARRIER FREE BUILDING APPROACH REQUIREMENT B.F. SYMBOL OF COMPLIANCE.
  - ALL CHANGES IN ELEVATION AT THRESHOLDS SHALL NOT EXCEED 1/2". IF A CHANGE IN ELEVATION IS GREATER THAN 1/4" PROVIDE A BEVELED EDGE TRANSITION WITH A SLOPE OF 1:2 MAX.
  - DOOR AND SIDELITE GLAZING SHALL PASS THE TEST REQUIREMENTS OF CPSC 16 CFR 1201.
- ABBREVIATIONS:**
- AL - ALUMINUM
  - HM - HOLLOW METAL
  - P - PAINT
  - FR - PAIR
  - S - STAIN
  - V - VINYL CLAD WOOD
  - ND - WOOD
  - AN - ANODIZED
  - FF - FACTORY FINISH MANUF STANDARD COLOR



PROPOSED BUILDING FOR:  
**PLEASANT UNION CHRISTIAN CHURCH**

NEILLS CREEK ROAD  
HARNETT COUNTY,  
NORTH CAROLINA

ISSUED FOR

07/17/07	D.D. TO DILLON
08/24/07	PROGRESS DRAWINGS
09/10/07	D.D. REVIEW AND APPROVAL
11/07/07	FINAL APPROVAL FOR BIDS AND CONSTRUCTION
12/18/07	FROM OWNER/CONTR. MEETING ON REVS. FROM CDS 12/17/07
06/03/09	PLATFORM ADDITION CHAIR/DRAWA LAYOUT
04/12/19	CHAIR/DRAWA LAYOUT REVISION

DRAWN BY:  
DATE:

**DOOR SCHEDULES AND DETAILS**

SHEET NUMBER  
**A-5.1**

JOB NUMBER  
06-011B

HARDWARE SET SCHEDULE

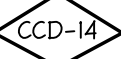
<p>HW SET: 01 DOOR NUMBER: 101A</p> <p>EACH TO HAVE: 6 EA HINGE 5BBIH 4.5 X 4.5 NRP 630 IVE 1 EA MULLION KR#64 6#1 VON 1 EA PANIC HARDWARE 9BEO 626 VON 1 EA RIM CYLINDER 20-022 626 SCH 1 EA MORTISE CYLINDER 30-000 626 SCH 2 EA OFFSET DOOR PULL 89D-2 X 8300 4 X 16 630 IVE 1 EA SURFACE CLOSER 4III HEDA X 5T1631 6#1 LCN 1 EA SURFACE CLOSER 4III HEDA X 5T1631 (180) 6#1 LCN 1 EA OVERHEAD HOLDER 100H 630 GLY 2 EA KICK PLATE 8400 10" X 2" LDH 630 IVE 1 EA HALL STOP #5407CVX 630 IVE 2 SET SEALS 7005A AL NGP 2 EA DOOR SWEEP C427A AL NGP 1 EA THRESHOLD 425HD AL NGP</p> <p>HW SET: 02 DOOR NUMBER: 101B</p> <p>EACH TO HAVE: 6 EA HINGE 5BBIH 4.5 X 4.5 NRP 630 IVE 1 EA MULLION KR#64 6#1 VON 1 EA PANIC HARDWARE 9BEO 626 VON 1 EA MORTISE CYLINDER 30-000 626 SCH 2 EA OFFSET DOOR PULL 89D-2 X 8300 4 X 16 630 IVE 1 EA SURFACE CLOSER 4III HEDA X 5T1631 6#1 LCN 1 EA SURFACE CLOSER 4III HEDA X 5T1631 (180) 6#1 LCN 1 EA OVERHEAD HOLDER 100H 630 GLY 2 EA KICK PLATE 8400 10" X 2" LDH 630 IVE 1 EA HALL STOP #5407CVX 630 IVE 2 SET SEALS 7005A AL NGP 2 EA DOOR SWEEP C427A AL NGP 1 EA THRESHOLD 425HD AL NGP</p> <p>HW SET: 03 DOOR NUMBER: 101B</p> <p>EACH TO HAVE: 6 EA HINGE 5BBIH 4.5 X 4.5 NRP 630 IVE 1 EA MULLION KR#64 6#1 VON 1 EA PANIC HARDWARE 9BEO 626 VON 1 EA MORTISE CYLINDER 30-000 626 SCH 2 EA OFFSET DOOR PULL 89D-2 X 8300 4 X 16 630 IVE 1 EA SURFACE CLOSER 4III HEDA X 5T1631 6#1 LCN 1 EA SURFACE CLOSER 4III HEDA X 5T1631 (180) 6#1 LCN 1 EA OVERHEAD HOLDER 100H 630 GLY 2 EA KICK PLATE 8400 10" X 2" LDH 630 IVE 1 EA HALL STOP #5407CVX 630 IVE 2 SET SEALS 7005A AL NGP 2 EA DOOR SWEEP C427A AL NGP 1 EA THRESHOLD 425HD AL NGP</p> <p>HW SET: 03A DOOR NUMBER: 102A</p> <p>EACH TO HAVE: 6 EA HINGE 5BBIH 4.5 X 4.5 NRP 630 IVE 1 EA MULLION KR#64 6#1 VON 1 EA PANIC HARDWARE 9BEO 626 VON 1 EA MORTISE CYLINDER 30-000 626 SCH 2 EA OFFSET DOOR PULL 89D-2 X 8300 4 X 16 630 IVE 1 EA SURFACE CLOSER 4III HEDA X 5T1631 6#1 LCN 1 EA SURFACE CLOSER 4III HEDA X 5T1631 (180) 6#1 LCN 1 EA ACTUATOR 79D-#6 630 LCN 2 EA KICK PLATE 8400 10" X 2" LDH 630 IVE 1 EA HALL STOP #5407CVX 630 IVE 2 SET SEALS 7005A AL NGP 2 EA DOOR SWEEP C427A AL NGP 1 EA THRESHOLD 425HD AL NGP</p> <p>HW SET: 04 DOOR NUMBER: 103, 105</p> <p>EACH TO HAVE: 3 EA HINGE 5BBI 4.5 X 4.5 652 IVE 1 EA CLASSROOM LOCK AL70PD NEP 626 SCH 1 EA KICK PLATE 8400 10" X 2" LDH 630 IVE 1 EA HALL STOP #5407CVX 630 IVE 3 EA SILENCER 5R64 GRV IVE</p> <p>HW SET: 04A DOOR NUMBER: 107E 107F</p> <p>EACH TO HAVE: 3 EA HINGE 5BBI 4.5 X 4.5 652 IVE 1 EA CLASSROOM LOCK AL70PD NEP 626 SCH 1 EA KICK PLATE 8400 10" X 2" LDH 630 IVE 1 EA HALL STOP #5407CVX 630 IVE 3 EA SILENCER 5R64 GRV IVE</p> <p>HW SET: 05 DOOR NUMBER: 104 106</p> <p>EACH TO HAVE: 3 EA HINGE 5BBIH 4.5 X 4.5 652 IVE 1 EA PUSH PLATE 8200 6" X 16" 630 IVE 1 EA PULL PLATE 830EZ-0 4" X 16" 630 IVE 1 EA SURFACE CLOSER 4III 6#1 LCN 1 EA KICK PLATE 8400 10" X 2" LDH 630 IVE 3 EA SILENCER 5R64 GRV IVE</p> <p>HW SET: 06 DOOR NUMBER: NOT USED</p> <p>HW SET: 07 DOOR NUMBER: 107A 107B 107C</p> <p>EACH TO HAVE: 6 EA HINGE 5BBIH 4.5 X 4.5 652 IVE 2 EA FIRE EXIT HARDWARE 9B27L-F#9#W17 LBR 626 VON 2 EA RIM CYLINDER 20-022 626 SCH 2 EA SURFACE CLOSER 4III HEDA X 5T1631 6#1 LCN 1 EA TRANSFORMER 4040SED-3210 LCN 2 EA KICK PLATE 8400 10" X 2" LDH 630 IVE 2 EA MAGNETIC HOLD-OPEN S#1 980 (EXTENSIONS AS REQUIRED) AL LCN 2 EA SILENCER 5R64 GRV IVE 1 SET SEAL 9850C HEAD AND JAMB AND MEETING EDGE CHA NGP</p> <p>HW SET: 08 DOOR NUMBER: 107D 109B</p> <p>EACH TO HAVE: 3 EA HINGE 5BBIH 4.5 X 4.5 NRP 630 IVE 1 EA PANIC HARDWARE 9BEO 626 VON 1 EA SURFACE CLOSER 4III HEDA X 5T1631 6#1 LCN 1 EA KICK PLATE 8400 10" X 2" LDH 630 IVE 1 SET SEALS 7005A AL NGP 1 EA DOOR SWEEP C427A AL NGP 1 EA THRESHOLD 425HD AL NGP</p> <p>HW SET: 09 DOOR NUMBER: 108A</p> <p>EACH TO HAVE: 6 EA HINGE 5BBIH 4.5 X 4.5 NRP 630 IVE 2 EA MANUAL FLUSH BOLT FB45B 626 IVE 1 EA STOREROOM LOCK NDR0PD SPA 626 SCH 1 EA SURFACE CLOSER 4III HEDA X 5T1631 (180) 6#1 LCN 1 EA OVERHEAD HOLDER 900H 630 GLY 2 EA KICK PLATE 8400 10" X 2" LDH 630 IVE 1 EA HALL STOP #5407CVX 630 IVE 1 SET SEALS 7005A AL NGP 2 EA DOOR SWEEP C427A AL NGP 1 EA THRESHOLD 425HD AL NGP 1 EA ASTRAGAL ASTRAGAL BY DOOR SUPPLIER</p>	<p>HW SET: 10 DOOR NUMBER: NOT USED</p> <p>HW SET: 10A DOOR NUMBER: NOT USED</p> <p>HW SET: 11 DOOR NUMBER: 109A</p> <p>EACH TO HAVE: 3 EA HINGE 5BBI 4.5 X 4.5 652 IVE 1 EA CLASSROOM LOCK AL70PD NEP 626 SCH 1 EA SURFACE CLOSER 4III HEDA 6#1 LCN 1 EA KICK PLATE 8400 10" X 2" LDH 630 IVE 1 EA HALL STOP #5407CVX 630 IVE 3 EA SILENCER 5R64 GRV IVE</p> <p>HW SET: 12 DOOR NUMBER: 109C</p> <p>EACH TO HAVE: 3 EA HINGE 5BBI 5 X 4.5 652 IVE 1 EA CLASSROOM LOCK AL70PD NEP 626 SCH 1 EA SURFACE CLOSER 4III HEDA 6#1 LCN 1 EA KICK PLATE 8400 10" X 2" LDH 630 IVE 1 EA HALL STOP #5407CVX 630 IVE 3 EA SILENCER 5R64 GRV IVE</p> <p>HW SET: 13 DOOR NUMBER: 112A</p> <p>EACH TO HAVE: 3 EA HINGE 5BBI 4.5 X 4.5 652 IVE 1 EA CLASSROOM LOCK AL70PD NEP 626 SCH 1 EA SURFACE CLOSER 4III SC95H 6#1 LCN 1 EA KICK PLATE 8400 10" X 2" LDH 630 IVE 1 SET SEAL 9850C HEAD 4 JAMBS CHA NGP</p> <p>HW SET: 14 DOOR NUMBER: 112B</p> <p>EACH TO HAVE: 6 EA HINGE 5BBI 4.5 X 4.5 652 IVE 1 SET AUTO FLUSH BOLT FB49 630 IVE 1 EA DUST PROOF STRIKE DP2 626 IVE 1 EA CLASSROOM LOCK AL70PD NEP 626 SCH 1 EA COORDINATOR CORSE2 X FL20 626 IVE 2 EA SURFACE CLOSER 4III HEDA 6#1 LCN 2 EA PLATES #E2 600 IVE 2 EA KICK PLATE 8400 10" X 2" LDH 630 IVE 1 SET SEAL 9850C HEAD 4 JAMBS AND ASTRAGAL CHA NGP 1 EA ASTRAGAL ASTRAGAL BY DOOR SUPPLIER 2 EA MAGNETIC HOLD-OPEN S#1 980 TRI VOLTAGE, 6#1 LCN</p> <p>HW SET: 15 DOOR NUMBER: 110C</p> <p>EACH TO HAVE: 3 EA HINGE 5BBI 4.5 X 4.5 652 IVE 1 EA CLASSROOM LOCK AL70PD NEP 626 SCH 1 EA SURFACE CLOSER 4III 6#1 LCN 1 EA KICK PLATE 8400 10" X 2" LDH 630 IVE 3 EA SILENCER 5R64 GRV IVE</p> <p>HW SET: 16 DOOR NUMBER: 112D</p> <p>EACH TO HAVE: 1 SET ROLLING GRILL HDWE ALL HARDWARE BY DOOR SUPPLIER</p> <p>HW SET: 17 DOOR NUMBER: 110E</p> <p>EACH TO HAVE: 3 EA HINGE 5BBI 4.5 X 4.5 NRP 630 IVE 1 EA STOREROOM LOCK NDR0PD SPA 626 SCH 1 EA SURFACE CLOSER 4III HEDA X 5T1631 6#1 LCN 1 EA KICK PLATE 8400 10" X 2" LDH 630 IVE 1 SET SEALS 7005A AL NGP 1 EA DOOR SWEEP C427A AL NGP 1 EA THRESHOLD 425HD AL NGP</p> <p>HW SET: 18 DOOR NUMBER: 113A</p> <p>EACH TO HAVE: 1 SET ROCKET DR HDNE #5306 X DBL DOOR CONNECTOR 628 30H 1 EA SLDG DR LOCK SET 86#6 626 BAL 1 EA MORTISE CYLINDER 30-000 626 SCH 1 EA PULL PLATES 94 3 1/2" X 5" 626 ROC</p> <p>HW SET: 20 DOOR NUMBER: 117</p> <p>EACH TO HAVE: 3 EA HINGE 5BBI 4.5 X 4.5 652 IVE 1 EA PUSH/PULL LATCH HL6-9800 X 17 626 GLY 1 EA MORTISE CYLINDER 30-000 626 SCH 1 EA SURFACE CLOSER 4III HEDA 6#1 LCN 1 EA KICK PLATE 8400 10" X 2" LDH 630 IVE 1 EA HALL STOP #5407CVX 630 IVE 3 EA SILENCER 5R64 GRV IVE</p> <p>HW SET: 26 DOOR NUMBER: 102C</p> <p>EACH TO HAVE: 6 EA HINGE 5BBIH 4.5 X 4.5 652 IVE 1 EA MULLION KR#64 6#1 VON 2 EA FIRE EXIT HARDWARE 9B27L-F#9#W17 LBR 626 VON 2 EA RIM CYLINDER 20-022 626 SCH 2 EA SURFACE CLOSER 4III HEDA 6#1 LCN 1 EA TRANSFORMER 4040SED-3210 LCN 2 EA KICK PLATE 8400 10" X 2" LDH 630 IVE 2 EA MAGNETIC HOLD-OPEN S#1 980 (EXTENSIONS AS REQUIRED) AL LCN 2 EA SILENCER 5R64 GRV IVE</p> <p>HW SET: 28 DOOR NUMBER: 206 207</p> <p>EACH TO HAVE: 3 EA HINGE 5BBI 4.5 X 4.5 652 IVE 1 EA STOREROOM LOCK AL80PD NEP 626 SCH 1 EA SURFACE CLOSER 4III 6#1 LCN 1 EA KICK PLATE 8400 10" X 2" LDH 630 IVE 1 EA HALL STOP #5407CVX 630 IVE 3 EA SILENCER 5R64 GRV IVE</p>
---	---

COPYRIGHT - ALL RIGHTS RESERVED. THESE DRAWINGS REMAIN THE PROPERTY OF H.L. PERRY ASSOCIATES AND ARE FOR USES AUTHORIZED BY THE ARCHITECT ONLY.

PROPOSED BUILDING FOR:  
**PLEASANT  
UNION  
CHRISTIAN  
CHURCH**

NEILLS CREEK ROAD  
HARNETT COUNTY,  
NORTH CAROLINA

ISSUED FOR

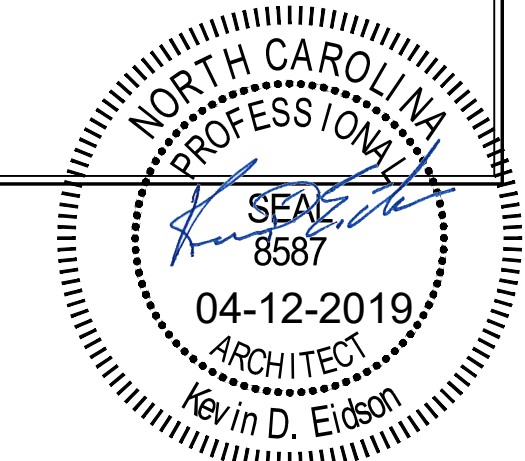
07/17/07	D.D. TO DILLON
08/24/07	PROGRESS DRAWINGS
09/10/07	D.D. REVIEW AND APPROVAL
11/07/07	FINAL APPROVAL FOR BIDS AND CONSTRUCTION
12/18/07	FROM OWNER CONTR. MEETING ON REV. FROM CD'S 12/07/07
04/12/19	CHOIR/DRAWING LAYOUT REVISION 

DRAWN BY:  
DATE:

**HARDWARE  
SCHEDULE**

SHEET NUMBER  
**A-5.2**

JOB NUMBER  
06-011B



Friday, April 12, 2019 at 10:56am 5:20:00AM/2019/04/12 10:56:14AM 8587-144P