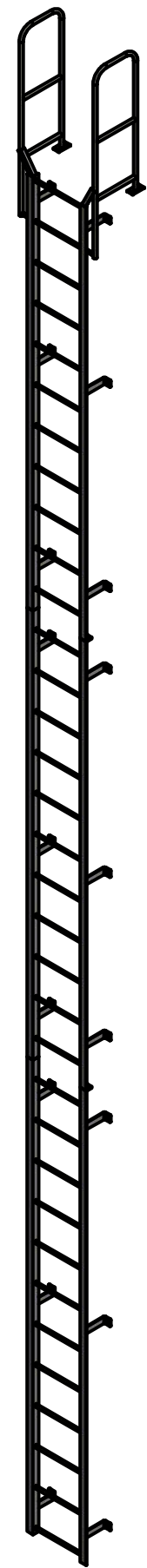
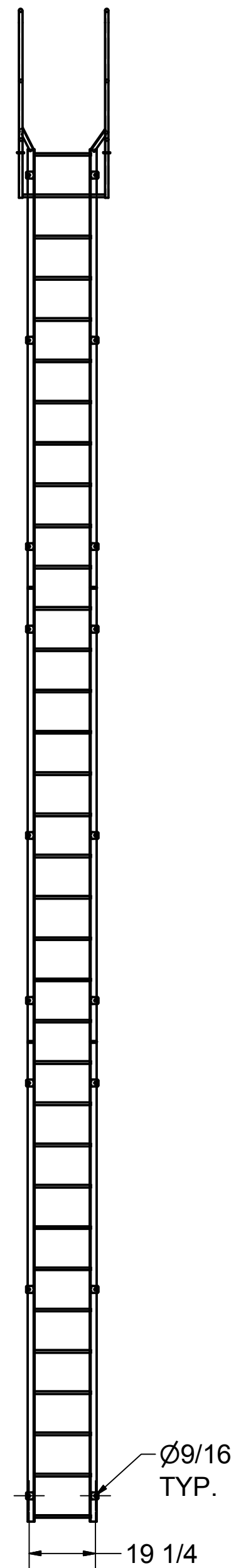
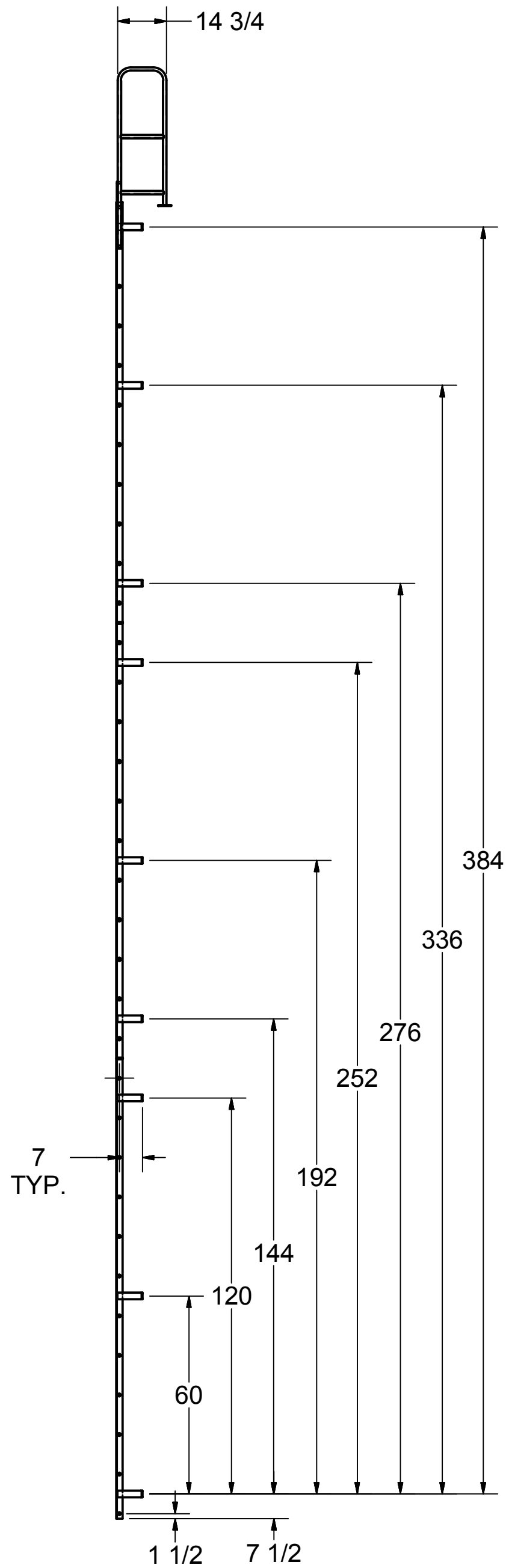
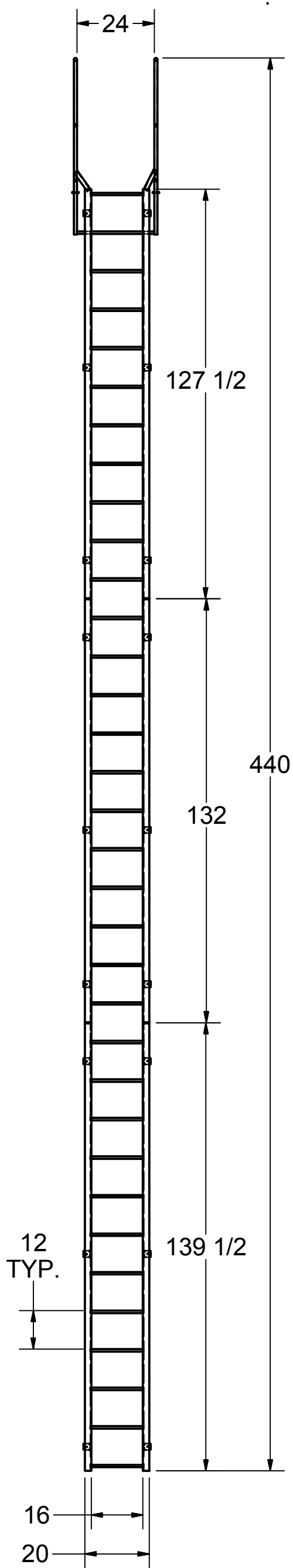



DETAIL A



NOTE:  
 STANDOFF BRACKET LOCATIONS  
 ARE ± 1".  
 DO NOT PREDRILL HOLES IN THE  
 STRUCTURE.  
 HOLES SHOULD BE MATCH DRILLED  
 TO INSURE PROPER ALIGNMENT



3D MODEL AVAILABLE IN STEP FILE FORMAT ON OUR WEBSITE

DRAWN GB	12/28/2016	 Division of Material Control, Inc. 130 Seltzer Road, Croswell, Michigan 48422 U.S.A.		
CHECKED				
APPROVED		TITLE		
PART D0570362 F34W FOR CATALOG		F34W		
THIS PRINT IS PROPERTY OF COTTERMAN® COMPANY, AND MAY NOT BE USED IN WHOLE OR PART WITHOUT WRITTEN PERMISSION.		Drawing is computer generated, and print might not be to scale		
		SIZE	DWG NO	REV
		C	D0570362 F34W FOR CATALOG.dwg	A
DIMENSIONS IN INCHES UNLESS NOTED		SHEET 1 OF 1		