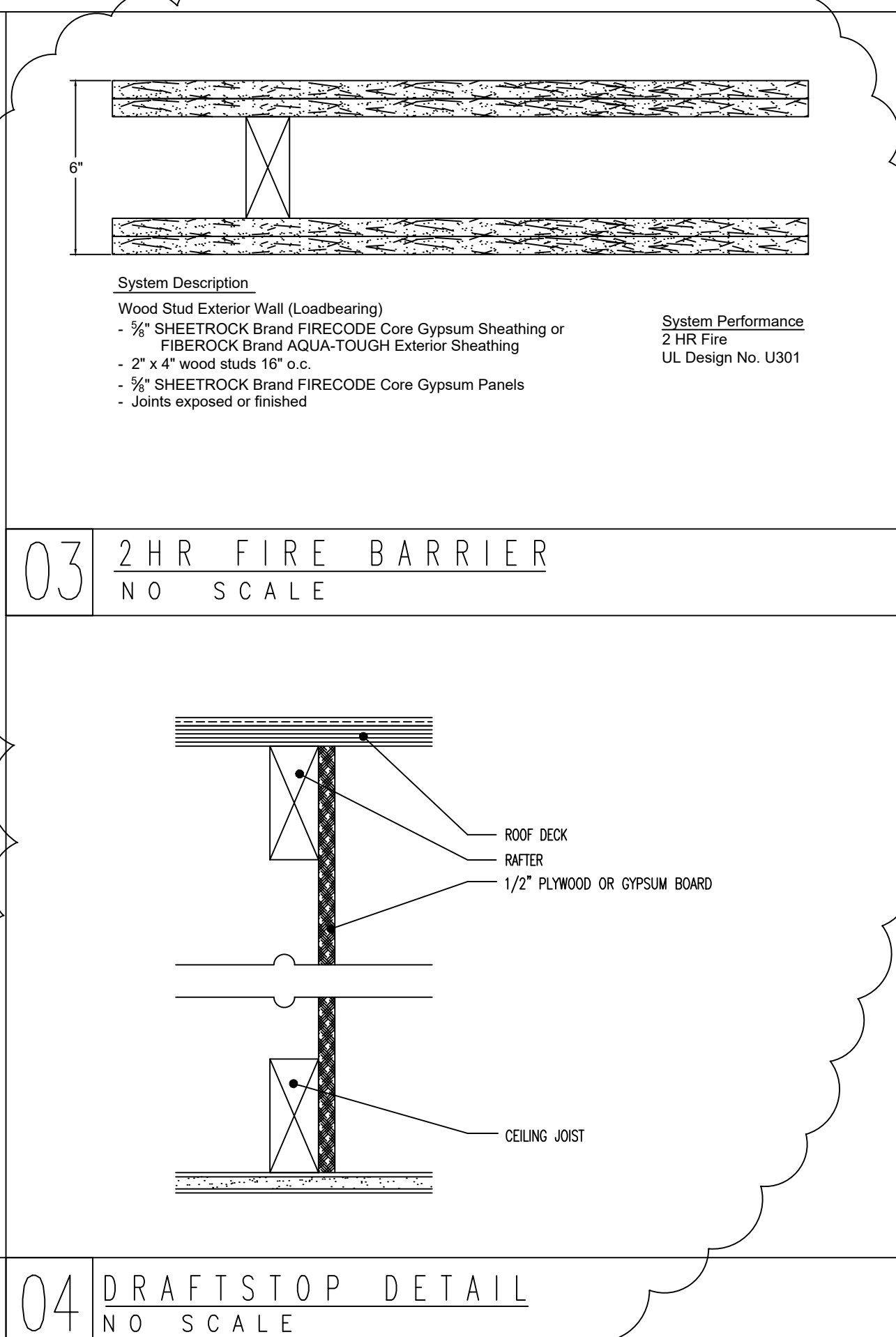


- 02 TYPICAL NOTES
NO SCALE
- All work shall be performed in accordance with the current North Carolina State Codes and all applicable codes and ordinances as adopted by the local governing township authority. Arrange for all required inspections by authorities at the proper time during progress of work.
 - Coordinate work to insure efficient and orderly sequence of installation of construction elements with provisions for accommodating items installed later.
 - Contractor's use of the building area is limited - see owner.
 - Contractor to assume full responsibility for the protection and safe keeping of products stored on the site.
 - Dimensions and notes for a given condition are typical for all similar conditions unless otherwise noted.
 - Drawings at a larger scale shall take precedence over drawings at a smaller scale.
 - Contractor to protect all landscape, paving, and other site conditions from damage.
 - The contractor shall arrange for the proper discontinuance and/or relocation of all public utilities when required including sewer, water, gas, electric, and telephone lines.
 - Any inconsistencies between drawings and existing conditions or between the drawings themselves shall be reported to the building designer. Do not perform any work that is effected by the inconsistencies until the building designer has verified the information. Any work done will be solely at the contractor's risk and expense. The building designer will resolve the inconsistencies in a timely manner.
 - Contractor to complete all work in accordance with the drawings. At the end of the job, contractor is to clean all surfaces and leave job in an orderly and neat fashion. One year warranty shall begin at acceptance of the work, as determined by the building designer. Provide all keys, equipment operating instructions record drawings etc. to Owner.



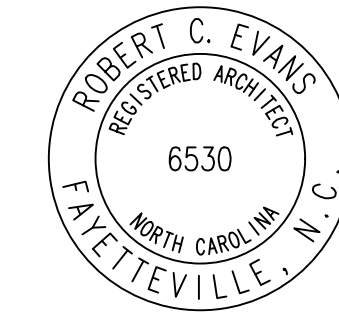
Approved
Harnett COUNTY NORTH CAROLINA
bution 07/29/2019

A NEW SANCTUARY FOR:

Full Gospel Tabernacle Church

NC HIGHWAY 55 & ASHE AVENUE
DUNN, NORTH CAROLINA

ROBERT CHARLES EVANS
ARCHITECT
ARCHITECTURE
545 Pearl Street Fayetteville, North Carolina 28303



02.26.19

COV1

MATERIAL LEGEND			
CONCRETE		BATT INSULATION	
EARTH		STEEL	
WOOD FRAMING		CONCRETE BLOCK	
WOOD TRIM		BRICK	
PLYWOOD		GYPSUM BOARD	
CARPET		CAULKING	

CONSULTANTS	
	MECHANICAL
 Coastal Plains Engineering P.O. Box 1117 Pembroke, NC 28372 Phone: 910.621.7213	

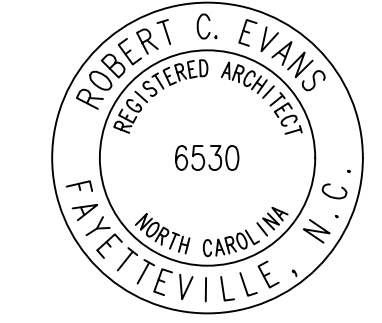
DRAWING SYMBOLS	
	clubroom F214
	ROOM NAME & FINISH SCHEDULE
	WINDOW SCHEDULE
	DOOR SCHEDULE
	INTERIOR ELEVATION

GENERAL NOTES	ABBREVIATIONS																																														
<ol style="list-style-type: none"> ALL WORK ON THIS APPLICATION SHALL BE IN ACCORDANCE WITH APPLICABLE STATE AND LOCAL CODES, LATEST AMENDMENTS. THE CONTRACTOR SHALL REFER TO DIMENSIONS AND SHALL NOT SCALE THESE DRAWINGS. ALL DIMENSIONS ARE SHOWN TO THE FACE OF ROUGH EXCEPT WHERE NOTED OTHERWISE. NO LOADS SHALL BE APPLIED TO SUSPENDED CEILINGS. THE CONTRACTOR SHALL PROVIDE BLOODING, GROUNDS, ETC. FOR FIXTURES, SHELVING, TRIM, OFFSHORE BOARD, CEILING, PLUMBING FIXTURES, ETC. WHERE THEY ARE REQUIRED. THE CONTRACTOR IS RESPONSIBLE FOR AND SHALL VERIFY AND COORDINATE ALL DIMENSIONS AND DETAILS PRIOR TO PROCEEDING WITH ANY WORK. ANY DISCREPANCIES SHALL BE BROUGHT TO THE ATTENTION OF THE DESIGNER IN WRITING IMMEDIATELY. 	<table border="0"> <tr> <td>ALUM. - Aluminum</td> <td>INSUL. - Insulation</td> </tr> <tr> <td>ARCH. - Architectural</td> <td>L. - Lines</td> </tr> <tr> <td>BD. - Board</td> <td>MFR. - Manufacturer</td> </tr> <tr> <td>BM. - Beam</td> <td>MR. - Microwave</td> </tr> <tr> <td>CL. - Centerline</td> <td>O.C. - On Center</td> </tr> <tr> <td>C.C. - Ceiling</td> <td>OPP. - Opposite</td> </tr> <tr> <td>COL. - Column</td> <td>PLND. - Plywood</td> </tr> <tr> <td>CONC. - Concrete</td> <td>Q. - Quarry</td> </tr> <tr> <td>CONT. - Continuous</td> <td>R. - Rod</td> </tr> <tr> <td>DM. - Dimension</td> <td>REQD. - Required</td> </tr> <tr> <td>DISP. - Disposal</td> <td>REGG. - Refrigerator</td> </tr> <tr> <td>DN. - Down</td> <td>R/O - Rough Opening</td> </tr> <tr> <td>D.S. - Downspout</td> <td>R/O - Rough Opening</td> </tr> <tr> <td>DN. - Downspout</td> <td>R/O - Rough Opening</td> </tr> <tr> <td>EA. - Each</td> <td>S. - Shelf</td> </tr> <tr> <td>EQ. - Equal</td> <td>S.F. - Square Feet</td> </tr> <tr> <td>FF. - Finish Floor</td> <td>S.M. - Similar</td> </tr> <tr> <td>FIN. - Finish</td> <td>T.O. - Top Of</td> </tr> <tr> <td>G.C. - General Contractor</td> <td>TOP. - Typical</td> </tr> <tr> <td>GP. - Gypsum Board</td> <td>V. - Volt</td> </tr> <tr> <td>HD. - Hand</td> <td>W. - With</td> </tr> <tr> <td>HDR. - Header</td> <td>WB. - Wood</td> </tr> <tr> <td>HR. - Hour</td> <td>W.H. - Water Heater</td> </tr> </table>	ALUM. - Aluminum	INSUL. - Insulation	ARCH. - Architectural	L. - Lines	BD. - Board	MFR. - Manufacturer	BM. - Beam	MR. - Microwave	CL. - Centerline	O.C. - On Center	C.C. - Ceiling	OPP. - Opposite	COL. - Column	PLND. - Plywood	CONC. - Concrete	Q. - Quarry	CONT. - Continuous	R. - Rod	DM. - Dimension	REQD. - Required	DISP. - Disposal	REGG. - Refrigerator	DN. - Down	R/O - Rough Opening	D.S. - Downspout	R/O - Rough Opening	DN. - Downspout	R/O - Rough Opening	EA. - Each	S. - Shelf	EQ. - Equal	S.F. - Square Feet	FF. - Finish Floor	S.M. - Similar	FIN. - Finish	T.O. - Top Of	G.C. - General Contractor	TOP. - Typical	GP. - Gypsum Board	V. - Volt	HD. - Hand	W. - With	HDR. - Header	WB. - Wood	HR. - Hour	W.H. - Water Heater
ALUM. - Aluminum	INSUL. - Insulation																																														
ARCH. - Architectural	L. - Lines																																														
BD. - Board	MFR. - Manufacturer																																														
BM. - Beam	MR. - Microwave																																														
CL. - Centerline	O.C. - On Center																																														
C.C. - Ceiling	OPP. - Opposite																																														
COL. - Column	PLND. - Plywood																																														
CONC. - Concrete	Q. - Quarry																																														
CONT. - Continuous	R. - Rod																																														
DM. - Dimension	REQD. - Required																																														
DISP. - Disposal	REGG. - Refrigerator																																														
DN. - Down	R/O - Rough Opening																																														
D.S. - Downspout	R/O - Rough Opening																																														
DN. - Downspout	R/O - Rough Opening																																														
EA. - Each	S. - Shelf																																														
EQ. - Equal	S.F. - Square Feet																																														
FF. - Finish Floor	S.M. - Similar																																														
FIN. - Finish	T.O. - Top Of																																														
G.C. - General Contractor	TOP. - Typical																																														
GP. - Gypsum Board	V. - Volt																																														
HD. - Hand	W. - With																																														
HDR. - Header	WB. - Wood																																														
HR. - Hour	W.H. - Water Heater																																														

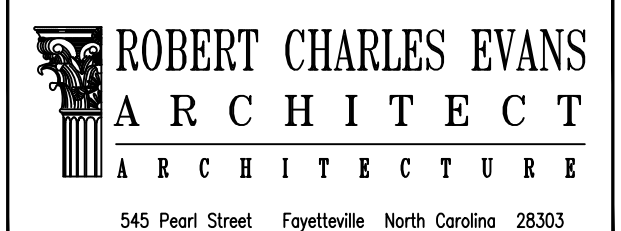
DRAWING LIST	
ARCHITECTURAL	
COV1	PROJECT INFORMATION
COV2	APPENDIX B
A1.1	FLOOR PLAN
A1.2	LIFE SAFETY PLAN
A2.1	SCHEDULES / DETAILS
A3.1	ELEVATIONS
A4.1	SECTIONS
A4.2	SECTIONS
A5.1	FOUNDATION PLAN
ELECTRICAL	
E-1	SCHEDULES / RISER
E-2	POWER PLAN
E-3	LIGHTING PLAN
FIRE ALARM	
FA-1	FIRE ALARM PLAN
MECHANICAL	
M-1	MECHANICAL DETAILS
M-2	MECHANICAL PLAN
PLUMBING	
P-1	PLUMBING DETAILS
P-2	PLUMBING PLAN

OCCUPANT CONTENT		
SANCTUARY	FIXED / 1.5'	= 256 PERSONS
PULPIT	773 sf / 15	= 51 PERSONS
OFFICE	608 sf / 100	= 6 PERSONS
CLASSROOM	865 sf / 20	= 43 PERSONS
NURSERY/CRY	293 sf / 20	= 15 PERSONS
STORAGE	142 sf / 300	= 1 PERSONS
TOTAL OCCUPANT CONTENT		372 PERSONS

NORTH CAROLINA BUILDING CODE SUMMARY - NC 2012 BUILDING CODE



04.30.19



Full Gospel Tabernacle Headquarters

Drawing Name: Appendix B

Project Name: A New Building for Full Gospel Tabernacle Headquarters

Project Location: Hwy 55/Ashe Rd INT Coats / Dunn North Carolina

ADDITIONAL AND LEGAL DISCLAIMER: THIS DOCUMENT IS INTENDED TO COMPLY WITH THE REQUIREMENTS OF THE AMERICANS WITH DISABILITIES ACT (ADA). ARCHITECTS AND ENGINEERS ARE NOT LICENSED TO INTERPRET LAWS OR GIVE ADVICE CONCERNING LAWS OR LEGAL MATTERS. THE OWNER SHOULD HAVE THE DOCUMENT REVIEWED BY AN ATTORNEY TO DETERMINE IF IT COMPLIES TO ADA AND OTHER LAWS.

PROJECT NO: 18-040	SHEET NO: COV2
DRAWN BY: RCE	
DATE: 06.25.18	
REVISIONS:	

NAME OF PROJECT: FULL GOSPEL TABERNAACLE CHURCH
 PROJECT ADDRESS: NC HWY 55 & ASHE AVENUE, DUNN NORTH CAROLINA
 PROPOSED USE: ASSEMBLY, A-3
 OWNER / CONTACT: TIM BELL
 TELEPHONE: 910.739.3262

OWNED BY: PRIVATE CITY/COUNTY STATE
 CODE ENFORCEMENT: CITY COUNTY CITY/COUNTY
 NAME OF JURISDICTION: COUNTY OF HARNETT

PROJECT SUMMARY
 BUILDING DESCRIPTION: TYPE 5-B
 SCOPE OF WORK: A NEW SANCTUARY & EDUCATION BUILDING FOR A CHURCH

PROJECT COORDINATOR: ROBERT C. EVANS, ARCHITECT

DESIGNER	FIRM	NAME	LICENSE #	TELEPHONE #	EMAIL
ARCHITECTURAL	ROBERT C. EVANS, ARCHITECT	ROBERT C. EVANS	6530	910.624.9259	rcsearch@gmail.com
CIVIL					
ELECTRICAL	COASTAL PLANS ENGINEERING	CHRISTOPHER LOCKLEAR	20193	910.521.7213	coastalplanseng@gmail.com
PLUMBING	COASTAL PLANS ENGINEERING	CHRISTOPHER LOCKLEAR	20193	910.521.7213	coastalplanseng@gmail.com
MECHANICAL	COASTAL PLANS ENGINEERING	CHRISTOPHER LOCKLEAR	20193	910.521.7213	coastalplanseng@gmail.com
SPRINKLER	NO WORK				
STRUCTURAL 1	NO WORK				
STRUCTURAL 2	NO WORK				
TRUSS	NO WORK				
OTHER	NO WORK				

BUILDING CODE DATA
 BUILDING CODE: 2012 REHAB CODE 2012 NORTH CAROLINA STATE BUILDING CODE (NCSBC)
 NEW BUILDING: NEW BUILDING ADDITION ALTERATION TO SHELL
 EXISTING BUILDING: RENOVATION INTERIOR COMPLETION TENANT ALTERATION CHANGE OF OCCUPANCY

BUILDING DATA
 CONSTRUCTION TYPE: I-A I-B II-A II-B III-A III-B
 MIXED CONSTRUCTION: NO YES
 STANDPIPES: NO YES
 FIRE DISTRICT: NO YES
 BUILDING HEIGHT: 22'-0" FEET
 MEZZANINE: NO YES
 HIGH RISE: NO YES
 GROSS BUILDING AREA: HEATED AREA 9,322, PORTE COCHERE 490, TOTAL 9,812

ALLOWABLE AREA
 PRIMARY OCCUPANCY: ASSEMBLY A-1 A-2 A-3 A-4 A-5
 SECONDARY OCCUPANCY: 402 403 404 405 406 407 408
 SPECIAL OCCUPANCY: 409 410 411 412 413 414 415
 MIXED OCCUPANCY: NO YES

ALLOWABLE AREA & HEIGHT

STORY NO.	DESCRIPTION AND USE	(A) BLDG AREA PER STORY (ACTUAL)	(B) TABLE 503.3 AREA	(C) AREA FOR OPEN SPACE INCREASE ¹	(D) AREA FOR SPRINKLER INCREASE ²	(E) ALLOWABLE AREA OR UNLIMITED ³	(F) MAXIMUM BUILDING AREA ⁴
ONE (1)	ASSEMBLY, A-3	9,812	6,000	4,500	-	-	10,500

TYPE OF CONSTRUCTION	ALLOWABLE (TABLE 503)	INCREASE FOR SPRINKLERS	SHOWN ON PLANS	CODE REFERENCE
TYPE 5-B	TYPE 5-B	TYPE 5-B	TYPE 5-B	N/A
BUILDING HEIGHT IN FEET	40 FEET	N/A	20'-0" TO 40'-0"	N/A
BUILDING HEIGHT IN STOREYS	STOREYS - 1	N/A	STOREYS - 1	N/A

FIRE RESISTANCE RATINGS

BUILDING ELEMENT	FIRE SEPARATION DISTANCE (FEET)	REQ'D	RATING PROVIDED (W/ REDUCTION)	DETAIL AND SHEET #	DESIGN # FOR ASSEMBLY	DESIGN # FOR RATED PENETRATION	DESIGN # FOR RATED JOINTS
STRUCTURAL FRAME INCLUDING COLUMNS, BEAMS, TRUSSES							
BEARING WALLS							
EXTERIOR							
NORTH	0	0	0				
EAST	0	0	0				
WEST	0	0	0				
SOUTH	0	0	0				
INTERIOR	N/A	0	0				
NONBEARING WALLS AND PARTITIONS							
EXTERIOR							
NORTH	0	0	0				
EAST	0	0	0				
WEST	0	0	0				
SOUTH	0	0	0				
INTERIOR	N/A	0	0	03/A2.1			
FLOOR CONSTRUCTION INCLUDING SUPPORTING BEAMS AND JOISTS							
ROOF CONSTRUCTION INCLUDING SUPPORTING BEAMS AND JOISTS							
SHIFTS - EXIT							
SHIFTS - OTHER							
CORRIDOR SEPARATION	1 HR	1 HR	04,05/A2.1	U305/P522	SEE PME	SEE PME	SEE PME
STAIR SEPARATION	2 HR	2 HR	03/CDV1	U301	SEE PME	SEE PME	SEE PME
TENANT SEPARATION							

LIFE SAFETY SYSTEMS
 EMERGENCY LIGHTING: NO YES
 EXIT SIGNS: NO YES
 FIRE ALARM: NO YES (SPRINKLER MONITORING)
 SMOKE DETECTION SYSTEM: NO YES
 PANIC HARDWARE: NO YES

EXIT REQUIREMENTS

FLOOR, ROOM OR SPACE DESIGNATION	MINIMUM NUMBER OF EXITS REQUIRED	TRAVEL DISTANCE ALLOWABLE (TABLE 1004.2.4)	ACTUAL TRAVEL DISTANCE SHOWN ON PLANS	ARRANGEMENT MEANS OF EGRESS (SECTION 1004.1)
ASSEMBLY, A-3	2	200'	91'-4"	84'-4" 150'-0"

EXIT WIDTH

USE GROUP OR SPACE DESCRIPTION	(a) AREA ¹ SQ. FT.	(b) AREA ² PER OCCUPANT	(c) OCCUPANT CONTENT	EGRESS WIDTH PER OCCUPANT (TABLE 1003.2.3)	REQUIRED WIDTH (a ÷ b) x c	ACTUAL WIDTH SHOWN ON PLANS
SANCTUARY	FIXED	1/1.5	256	N/A	N/A	N/A
PULPIT	773	1/15sf	51	N/A	0.2	N/A
OFFICE	608	1/100sf	6	N/A	N/A	144
CLASSROOM	665	1/20sf	43	N/A	N/A	N/A
NURSERY/DORY	293	1/20sf	15	N/A	N/A	N/A
STORAGE	142	1/300sf	1	N/A	N/A	N/A
TOTAL OCCUPANT CONTENT			372			

ASSEMBLY OCCUPANCY INFORMATION

SPACE DESCRIPTION	AREA	OCCUPANT LOAD FACTOR	OCCUPANT LOAD	EGRESS WIDTH PER OCCUPANT	REQUIRED EGRESS WIDTH	ACTUAL WIDTH ON PLANS (MAIN EXIT)	# OF EXITS
ASSEMBLY, A-3	SEE ABOVE	SEE ABOVE	SEE ABOVE	SEE ABOVE	SEE ABOVE	SEE ABOVE	4

PLUMBING FIXTURE REQUIREMENTS

OCCUPANCY	WATERCLOSETS	URINALS	LAVATORIES	SHOWERS/TUBS	DRINKING FOUNTAINS	NOTES & EXCEPTIONS
ASSEMBLY, A-3	186	186				

PERCENTAGE OF WALL OPENINGS CALCULATIONS

WALL	ACTUAL SEPARATION DISTANCE SHOWN ON PLANS	PERCENTAGE OF OPENINGS ALLOWED PER TABLE 705.8	ACTUAL PERCENTAGE OF OPENING ON PLANS
NORTH	N/A	NL	N/A
SOUTH	N/A	NL	N/A
EAST	N/A	NL	N/A
WEST	N/A	NL	N/A

WALL LEGENDS
 THE FOLLOWING WALL TYPES ARE PRESENT IN THIS PROJECT (SEE WALL LEGEND ON FLOOR PLANS FOR FURTHER REFERENCE)
 FIRE PARTITIONS 709 FIRE WALLS 706 FIRE BARRIERS 707
 SMOKE PARTITIONS 711 SMOKE BARRIERS 710 SHFT ENCLOSURE 708

DESIGN LOADS
 CLASSIFICATION OF BUILDING:
 LIVE LOADS:
 ROOF: 20 PSF
 ATTIC: N/A
 MEZZANINE: N/A
 FLOOR, LOBBIES: 100psf
 FLOOR, FIXED SEATS: 80psf
 FLOOR, PLATFORM: 125psf
 SNOW LOADS:
 ROOF LOAD: 15 PSF
 IMPORTANCE FACTOR: 1.10
 WIND LOADS:
 BASIC SPEED: 90mph (3-SECOND GUST, ASCE-7-98-EDITION)
 EXPOSURE: B IMPORTANCE FACTOR: 1.15
 EARTHQUAKE LOADS:
 DESIGN CATEGORY: C SITE CLASS: D
 IMPORTANCE FACTOR: 1.25

SEISMIC DESIGN - CATEGORY B, C, & D:
 PROVIDE THE FOLLOWING SEISMIC DESIGN PARAMETERS:
 IMPORTANCE FACTOR: 1.25
 SPECTRAL RESPONSE ACCELERATION: Sms: .32% Sm: .10%
 SITE CLASSIFICATION: D
 BASIC STRUCTURAL SYSTEM:
 BEARING WALL DUAL W/ SPECIAL MOMENT FRAME
 BUILDING FRAME DUAL W/ INTERMEDIATE R/C OR SPECIAL STEEL
 MOMENT FRAME INVERTED PENDULUM
 SEISMIC BASE SHEAR: Vx = .36 Vy = .36
 ANALYSIS PROCEDURE: SIMPLIFIED EQUIVALENT LATERAL FORCE MODAL
 ARCHITECTURAL, MECHANICAL, COMPONENTS ANCHORED? YES NO
 LATERAL DESIGN CONTROL: NO EARTHQUAKE YES WIND
 SOIL BEARING CAPACITY: _____
 FIELD TEST: _____
 PRESUMPTIVE BEARING CAPACITY: 2,000 PSF
 PILE SIZE, TYPE AND CAPACITY: _____

ACCESSIBLE PARKING N/A - SEE SITE PLAN

LOT OR PARKING AREA	TOTAL # OF PARKING SPACES		# OF ACCESSIBLE SPACES PROVIDED		TOTAL # ACCESSIBLE PROVIDED
	REQUIRED	PROVIDED	REGULAR W/ 5' ACCESS ASLE	VAN SPACES W/ 8' ACCESS ASLE	
NEW LOT	39	39	1	1	2
TOTAL	39	39	1	1	2

SPECIAL APPROVALS N/A
 (Describe special approvals from local jurisdictions, County of State Department of Health, NC Department of Insurance, International Code Council, etc.)

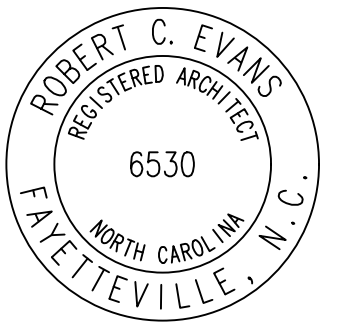
ELECTRICAL SUMMARY N/A - SEE ELECTRICAL SHEETS
 ELECTRICAL SYSTEM AND EQUIPMENT
 Method of Compliance: Prescriptive Performance Energy Cost Budget
 Provide a standard riser diagram which indicates designated points for check metering.
 Provide a standard panel schedule description which identifies different end use loads.
 Lighting schedule
 Lamp type required in fixture _____
 Number of lamps in fixture _____
 Ballast type used in fixture _____
 Number of ballasts in fixture _____
 Total wattage per fixture _____
 Total interior wattage specified vs. allowed _____
 Total exterior wattage specified vs. allowed _____
 Equipment schedules with motors (not used for mechanical systems)
 Motor horsepower _____
 Number of phases _____
 Minimum efficiency _____
 Motor type _____
 # of poles _____

SPECIAL INSPECTIONS CHAPTER 17 N/A
 SPECIAL INSPECTIONS SHALL BE CONDUCTED ON ALL PROJECTS THAT FALL WITHIN BUILDING CATEGORIES AND/OR CONTAIN ELEMENTS SUBJECT TO SPECIAL INSPECTIONS AS PRESCRIBED BY REVISED SECTION 1704.
 To schedule the required preconstruction meeting with the City of Raleigh please call 807-5111
 List whom will inspect the required special inspections
 Fabricator of load bearing components - _____
 Soil tests - _____
 Concrete, caissons, piles, piers, precast - _____
 Post tension concrete - _____
 Modular construction - _____
 Steel and connections, welds, bolts, anchors - _____
 Fire spray tests - _____
 Smoke control - _____
 Seismic, wind designs, Quality Assurance - _____
 Retaining wall - _____
 Masonry - _____
 Wood - _____
 Alternate Methods - _____
 EFIS - _____
 Other (describe) - _____
 Other (describe) - _____
 Owner or agent - _____

ENERGY SUMMARY
 (This section for new, additions change of use and interior completion.)
 THE FOLLOWING DATA SHALL BE CONSIDERED MINIMUM AND ANY SPECIAL ATTRIBUTE REQUIRED TO MEET THE ENERGY CODE SHALL ALSO BE PROVIDED. EACH DESIGNER SHALL FURNISH THE REQUIRED PORTIONS OF THE PROJECT INFORMATION FOR THE PLAN DATA SHEET. IF ENERGY COST BUDGET METHOD, STATE THE ANNUAL ENERGY COST BUDGET VS. ALLOWABLE ANNUAL ENERGY COST BUDGET.
 THERMAL ENVELOPE
 Method of Compliance: Prescriptive Performance Energy Cost Budget
 Roof/Ceiling Assembly (each assembly) R-42 BATT INSULATION IN WOOD TRUSSES
 Description of Assembly _____
 U-Value of total assembly _____
 R-Value of insulation _____
 Skylights in each assembly _____
 U-Value of skylight _____
 Total square footage of skylights in each assembly _____
 Exterior Walls (each assembly) 2x6 WOOD STUDIES w/ R-20 BATT INSULATION
 Description of assembly _____
 U-Value of total assembly _____
 R-Value of insulation _____
 Openings (windows or doors with glazing) _____
 U-Value of assembly _____
 shading coefficient _____
 projection factor _____
 low e required, if applicable _____
 Door R-Values _____
 Walls adjacent to unconditioned space (each assembly) _____
 Description of assembly _____
 U-Value of total assembly _____
 R-Value of insulation _____
 Openings (windows or doors with glazing) _____
 U-Value of assembly _____
 low e required, if applicable _____
 Door R-Values _____
 Walls below grade (each assembly) _____
 Description of assembly _____
 U-Value of total assembly _____
 R-Value of insulation _____
 Floors over unconditioned space (each assembly) _____
 Description of assembly _____
 U-Value of total assembly _____
 R-Value of insulation _____
 Floors slab on grade _____
 Description of assembly _____
 U-Value of total assembly _____
 R-Value of insulation _____
 Horizontal/vertical requirement _____
 Slab Heated _____

MECHANICAL SUMMARY N/A - SEE MECHANICAL SHEETS
 MECHANICAL SYSTEMS, SERVICE SYSTEMS AND EQUIPMENT
 Method of Compliance: Prescriptive Performance Energy Cost Budget
 THERMAL ZONE
 Exterior design conditions
 Winter dry bulb _____
 Summer dry bulb _____
 Interior design conditions
 Winter dry bulb _____
 Summer dry bulb _____
 Relative humidity _____
 BUILDING HEATING LOAD
 BUILDING COOLING LOAD
 MECHANICAL SPACING CONDITIONING SYSTEM
 Unitary
 Description of unit _____
 Heating efficiency _____
 Cooling efficiency _____
 Heat output of unit _____
 Cooling output of unit _____
 Boiler
 Total boiler output. If oversized, state reason _____
 Chiller
 Total chiller capacity. If oversized, state reason _____
 LIST EQUIPMENT EFFICIENCIES
 EQUIPMENT SCHEDULES WITH MOTORS (mechanical systems)
 Motor horsepower _____
 Number of phases _____
 Minimum efficiency _____
 Motor type _____
 # of poles _____

SHELL VARIABLE FORM N/A
 Check each applicable line to match scope of work. Edit as necessary to provide clear detail of installation.
 MECHANICAL:
 No work Equipment set with _____ without power Gas line
 Trunk line installed with _____ without outlets Install complete operational system
 Other _____
 PLUMBING:
 No work Install water service and sewer Install complete plumbing system
 Install building drain _____ and _____ or water distribution main _____ with _____ without branches
 Other _____
 SPRINKLER:
 Install complete plumbing system
 BUILDING:
 Install slab _____ partial _____ complete Install demising walls
 Install interior partitioning _____ partial _____ complete Install ceilings
 White box (additional interior completion permits are required for Certificate of Occupancy and power)
 Other _____
 ELECTRICAL:
 House panel (CONNECTING TO) Service laterals to meter centers/panels located on buildings
 Demise wall and ceilings only Conduit, duct, raceway, in slab
 Power and lighting circuits to "J" Box Install light fixtures
 Install Heat/AC Elevator Generator Parking lot lighting
 Install complete system
 Other _____
 Please Provide full information on any Alternative Methods and Means incorporated into the design of this project. Provide specific details and incorporate into plan submittal any supporting documents or agreement letters.



02.26.19

ROBERT CHARLES EVANS
ARCHITECT
 ARCHITECTURE
 545 Pearl Street Fayetteville North Carolina 28303

Full Gospel Tabernacle Headquarters

Drawing Name:
 Life Safety Plan

Project Name:
 A New Building for
 Full Gospel
 Tabernacle Headquarters

Project Location:
 Hwy 55/Ashe Rd INT
 Coats / Dunn
 North Carolina

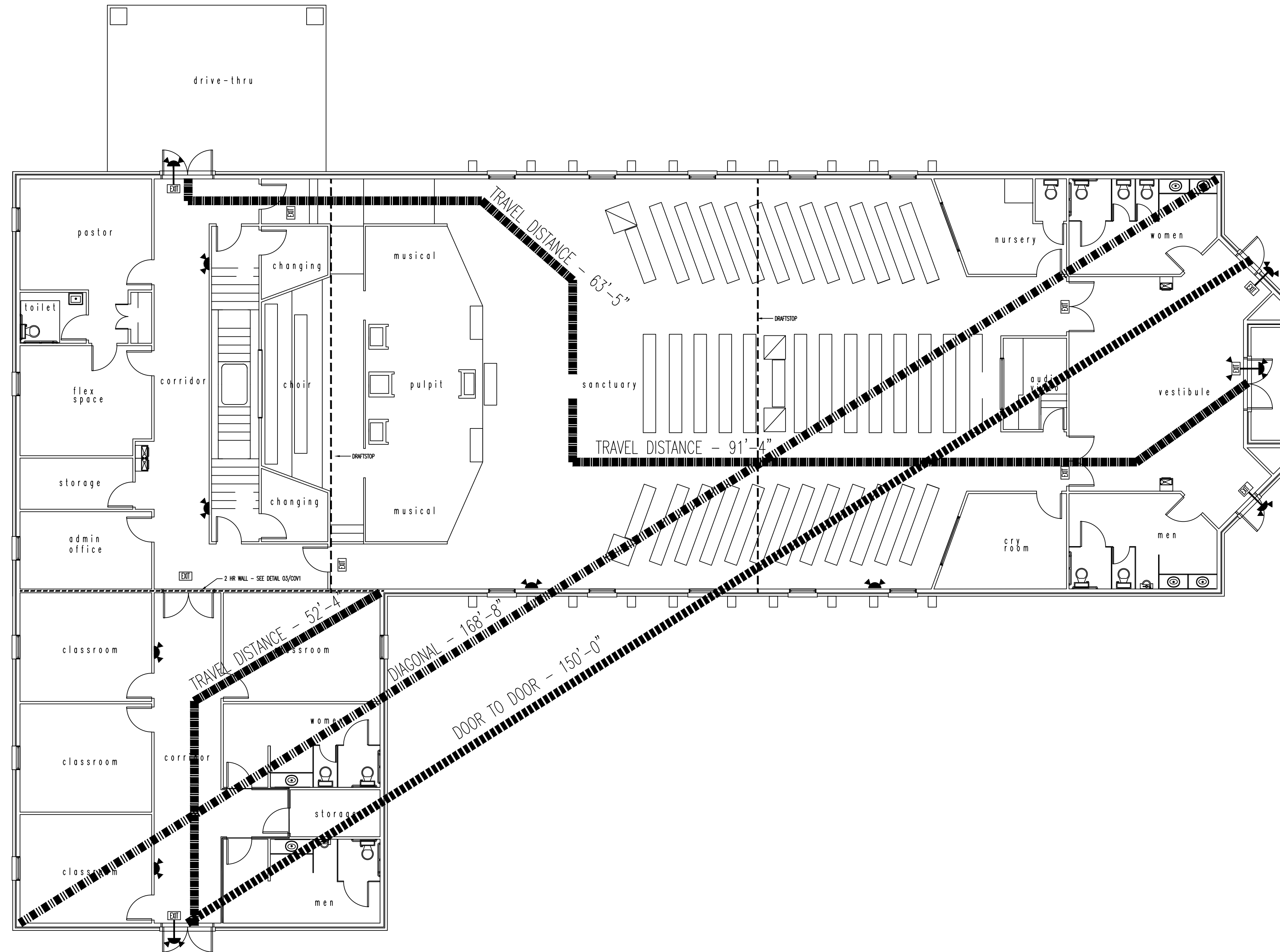
DRAWINGS AND THE DESIGN ARE THE PROPERTY OF THE ARCHITECT
 WHETHER THE PROJECT FOR WHICH THEY ARE PREPARED IS
 EXECUTED OR NOT, THE DRAWINGS SHALL NOT BE USED BY THE
 PROJECT OWNER OR ANYONE ELSE FOR ANY OTHER PROJECT.

ADA AND LEGAL DISCLAIMER
 THIS DOCUMENT IS INTENDED TO COMPLY WITH THE
 REQUIREMENTS OF THE AMERICANS WITH DISABILITIES ACT (ADA).
 ARCHITECTS AND ENGINEERS ARE NOT LICENSED TO INTERPRET
 LAWS OR GIVE ADVICE CONCERNING LAWS OR LEGAL MATTERS.
 THE OWNER SHOULD HAVE THIS DOCUMENT REVIEWED BY HIS
 ATTORNEY TO DETERMINE IF IT COMPLETES TO ADA AND OTHER LAWS.

PROJECT NO: 18-040
 DRAWN BY: RCE
 DATE: 06.25.18
 REVISIONS:

SHEET NO:

A1.2



OCCUPANT CONTENT

SANCTUARY	FIXED / 1.5'	= 256 PERSONS
PULPIT	773 sf / 15	= 51 PERSONS
OFFICE	608 sf / 100	= 6 PERSONS
CLASSROOM	865 sf / 20	= 43 PERSONS
NURSERY/CRY	293 sf / 20	= 15 PERSONS
STORAGE	142 sf / 300	= 1 PERSONS
TOTAL OCCUPANT CONTENT		372 PERSONS

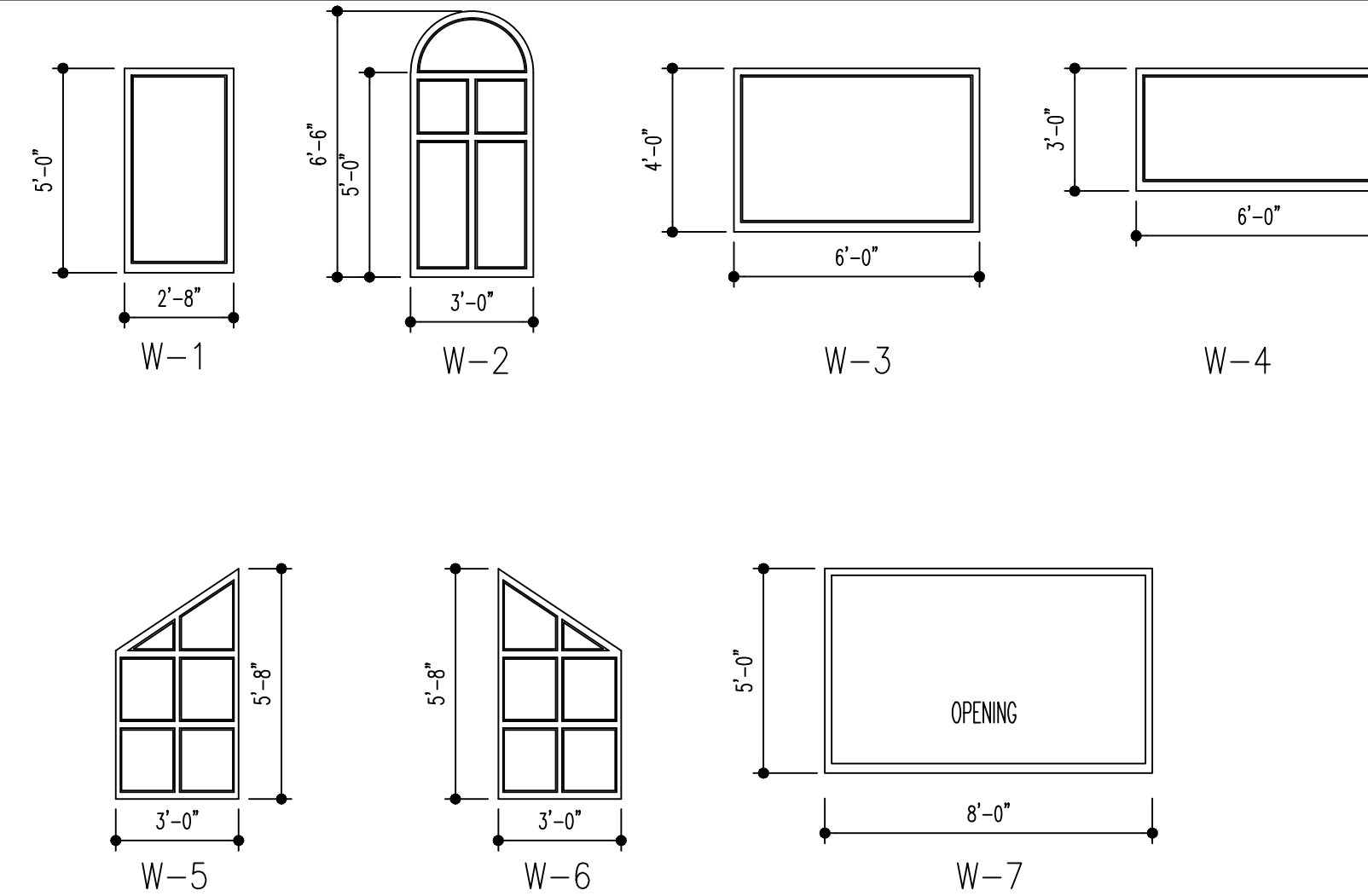
- EXIT SIGN
- EXIT SIGN w/ EMERGENCY EGRESS LIGHT
- EMERGENCY EGRESS LIGHT

DOOR SCHEDULE

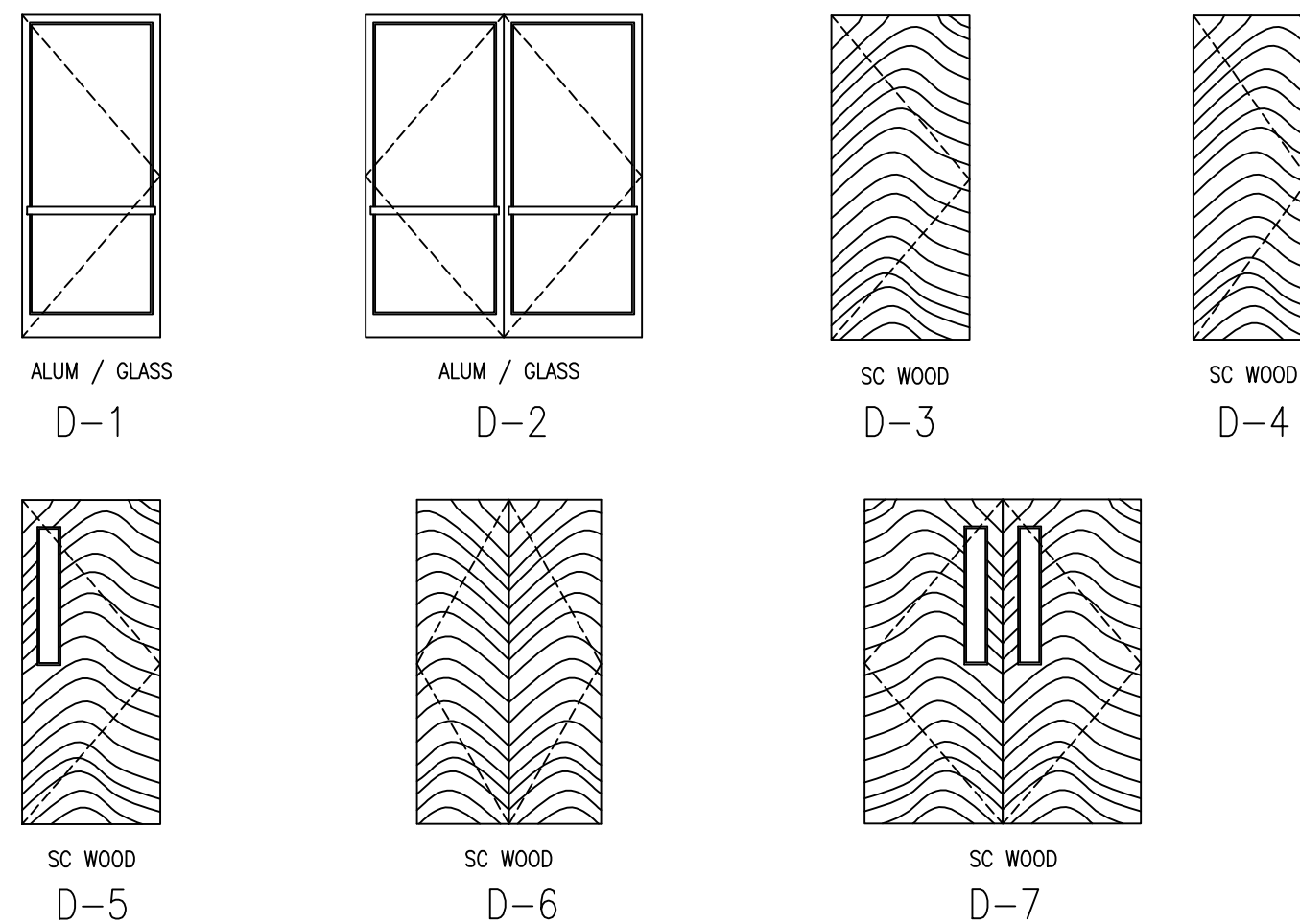
DOOR					FRAME		HWRE SET	REMARKS	
DOOR NUMBER	TYPE	MATERIAL	WIDTH	HEIGHT	TYPE	MATERIAL			
D101	D-1	ALUM/GLASS	3'-0"	7'-0"	1-3/4"	AL-3	ALUMINUM	PANIC	
D102	D-2	ALUM/GLASS	6'-0"	7'-0"	1-3/4"	AL-4	ALUMINUM	PANIC	
D103	D-1	ALUM/GLASS	3'-0"	7'-0"	1-3/4"	AL-3	ALUMINUM	PANIC	
D104	D-2	ALUM/GLASS	6'-0"	7'-0"	1-3/4"	AL-2	ALUMINUM	PANIC	
D105	D-2	ALUM/GLASS	6'-0"	7'-0"	1-3/4"	AL-2	ALUMINUM	PANIC	
D106	D-2	ALUM/GLASS	6'-0"	7'-0"	1-3/4"	AL-2	ALUMINUM	PANIC	
D107	D-3	WOOD	3'-0"	7'-0"	1-3/8"	HM-1	STEEL	PUSH/PULL	20 MIN DOOR & FRAME w/ CLOSER
D108	D-7	WOOD	6'-0"	7'-0"	1-3/8"	HM-2	STEEL	PUSH/PULL	20 MIN DOOR & FRAME w/ CLOSER
D109	D-5	WOOD	3'-0"	7'-0"	1-3/8"	HM-1	STEEL	PASSAGE	
D110	D-4	WOOD	2'-6"	7'-0"	1-3/8"	HM-1	STEEL	PASSAGE	
D111	D-5	WOOD	3'-0"	7'-0"	1-3/8"	HM-1	STEEL	PUSH/PULL	20 MIN DOOR & FRAME w/ CLOSER
D112	D-3	WOOD	3'-0"	7'-0"	1-3/8"	HM-1	STEEL	PRVACY	
D113	D-5	WOOD	3'-0"	7'-0"	1-3/8"	HM-1	STEEL	KEYED	20 MIN DOOR & FRAME w/ CLOSER
D114	D-3	WOOD	3'-0"	7'-0"	1-3/8"	HM-1	STEEL	PRVACY	
D115	D-6	WOOD	4'-0"	7'-0"	1-3/8"	HM-2	STEEL	CLOSET	
D116	D-5	WOOD	3'-0"	7'-0"	1-3/8"	HM-1	STEEL	KEYED	20 MIN DOOR & FRAME w/ CLOSER
D117	D-3	WOOD	3'-0"	7'-0"	1-3/8"	HM-1	STEEL	KEYED	20 MIN DOOR & FRAME w/ CLOSER
D118	D-5	WOOD	3'-0"	7'-0"	1-3/8"	HM-1	STEEL	KEYED	20 MIN DOOR & FRAME w/ CLOSER
D119	D-3	WOOD	3'-0"	7'-0"	1-3/8"	HM-1	STEEL	PRVACY	
D120	D-5	WOOD	3'-0"	7'-0"	1-3/8"	HM-1	STEEL	PUSH/PULL	20 MIN DOOR & FRAME w/ CLOSER
D121	D-5	WOOD	3'-0"	7'-0"	1-3/8"	HM-1	STEEL	PASSAGE	
D122	D-7	WOOD	6'-0"	7'-0"	1-3/8"	HM-2	STEEL	PUSH/PULL	20 MIN DOOR & FRAME w/ CLOSER
D123	D-5	WOOD	3'-0"	7'-0"	1-3/8"	HM-1	STEEL	PRVACY	
D124	D-3	WOOD	3'-0"	7'-0"	1-3/8"	HM-1	STEEL	PUSH/PULL	20 MIN DOOR & FRAME w/ CLOSER
D125	D-3	WOOD	3'-0"	7'-0"	1-3/8"	HM-1	STEEL	KEYED	20 MIN DOOR & FRAME w/ CLOSER
D126	D-3	WOOD	3'-0"	7'-0"	1-3/8"	HM-1	STEEL	KEYED	20 MIN DOOR & FRAME w/ CLOSER
D127	D-3	WOOD	3'-0"	7'-0"	1-3/8"	HM-1	STEEL	PRVACY	
D128	D-3	WOOD	3'-0"	7'-0"	1-3/8"	HM-1	STEEL	KEYED	20 MIN DOOR & FRAME w/ CLOSER
D129	D-3	WOOD	3'-0"	7'-0"	1-3/8"	HM-1	STEEL	KEYED	20 MIN DOOR & FRAME w/ CLOSER
D130	D-3	WOOD	3'-0"	7'-0"	1-3/8"	HM-1	STEEL	KEYED	20 MIN DOOR & FRAME w/ CLOSER
D131	D-3	WOOD	3'-0"	7'-0"	1-3/8"	HM-1	STEEL	PUSH/PULL	20 MIN DOOR & FRAME w/ CLOSER
D132	D-3	WOOD	3'-0"	7'-0"	1-3/8"	HM-1	STEEL	KEYED	20 MIN DOOR & FRAME w/ CLOSER
D133	D-3	WOOD	3'-0"	7'-0"	1-3/8"	HM-1	STEEL	PUSH/PULL	20 MIN DOOR & FRAME w/ CLOSER
D134	D-3	WOOD	3'-0"	7'-0"	1-3/8"	HM-1	STEEL	KEYED	20 MIN DOOR & FRAME w/ CLOSER

WINDOW SCHEDULE

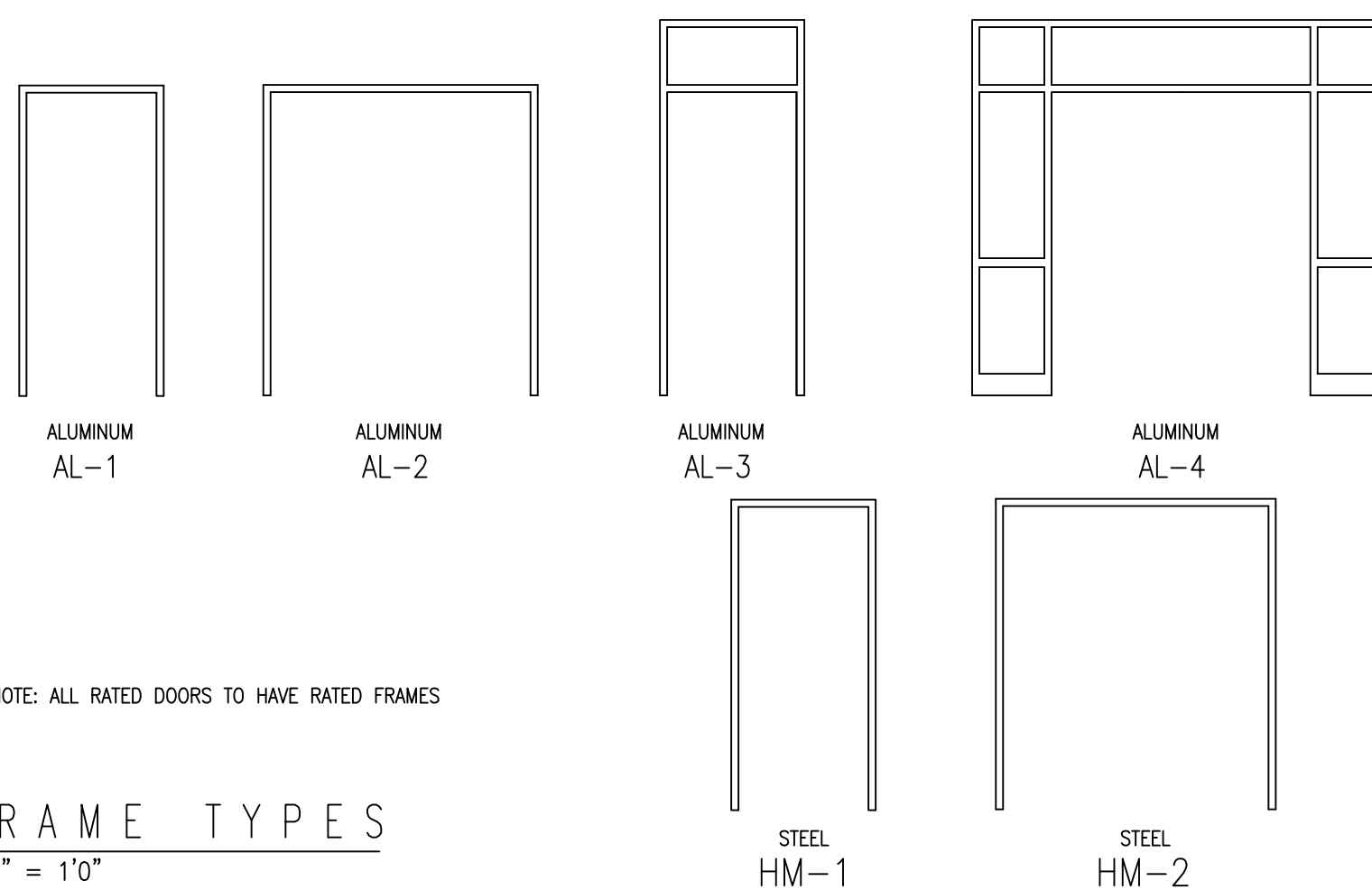
MARK	DESCRIPTION	TYPE	WIDTH	HEIGHT	FRAME	GLASS	HEAD HEIGHT	REMARKS
W101	FIXED UNIT	W-1	2'-8"	5'-0"	ALUM	INSUL	8'-0"	
W102	FIXED UNIT	W-2	3'-0"	6'-6"	ALUM	INSUL	10'-0"	1/4" PLATE, SET UP FOR FUTURE STAIN GLASS
W103	FIXED UNIT	W-3	6'-0"	4'-0"	ALUM	--	8'-0"	FIXED
W104	FIXED UNIT	W-4	6'-0"	3'-0"	ALUM	--	8'-0"	FIXED
W105	FIXED UNIT	W-5	3'-0"	5'-8"	ALUM	INSUL	15'-0"	FIXED
W106	FIXED UNIT	W-6	3'-0"	5'-8"	ALUM	INSUL	15'-0"	FIXED
W107	FIXED UNIT-OPEN	W-7	8'-0"	5'-0"	ALUM	INSUL	VERIFY IN FIELD	OPENING



WINDOW TYPES
1/4" = 1'0"

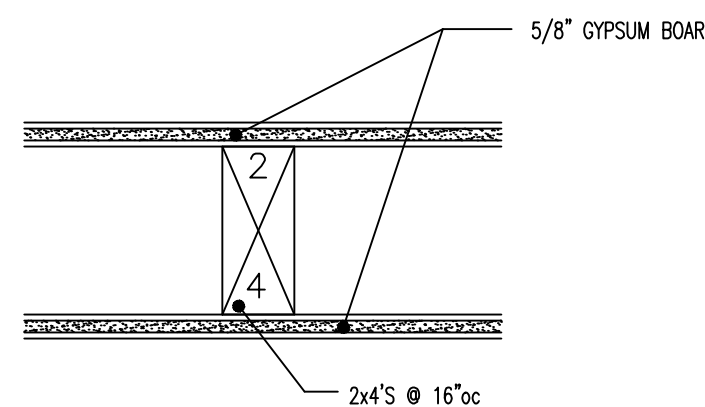


DOOR TYPES
1/4" = 1'0"

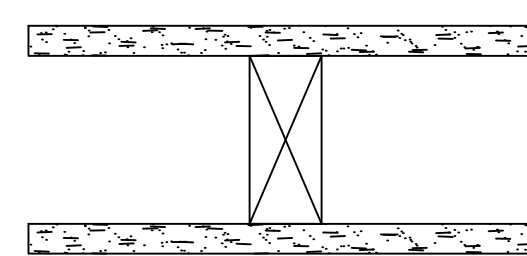


NOTE: ALL RATED DOORS TO HAVE RATED FRAMES

FRAME TYPES
1/4" = 1'0"



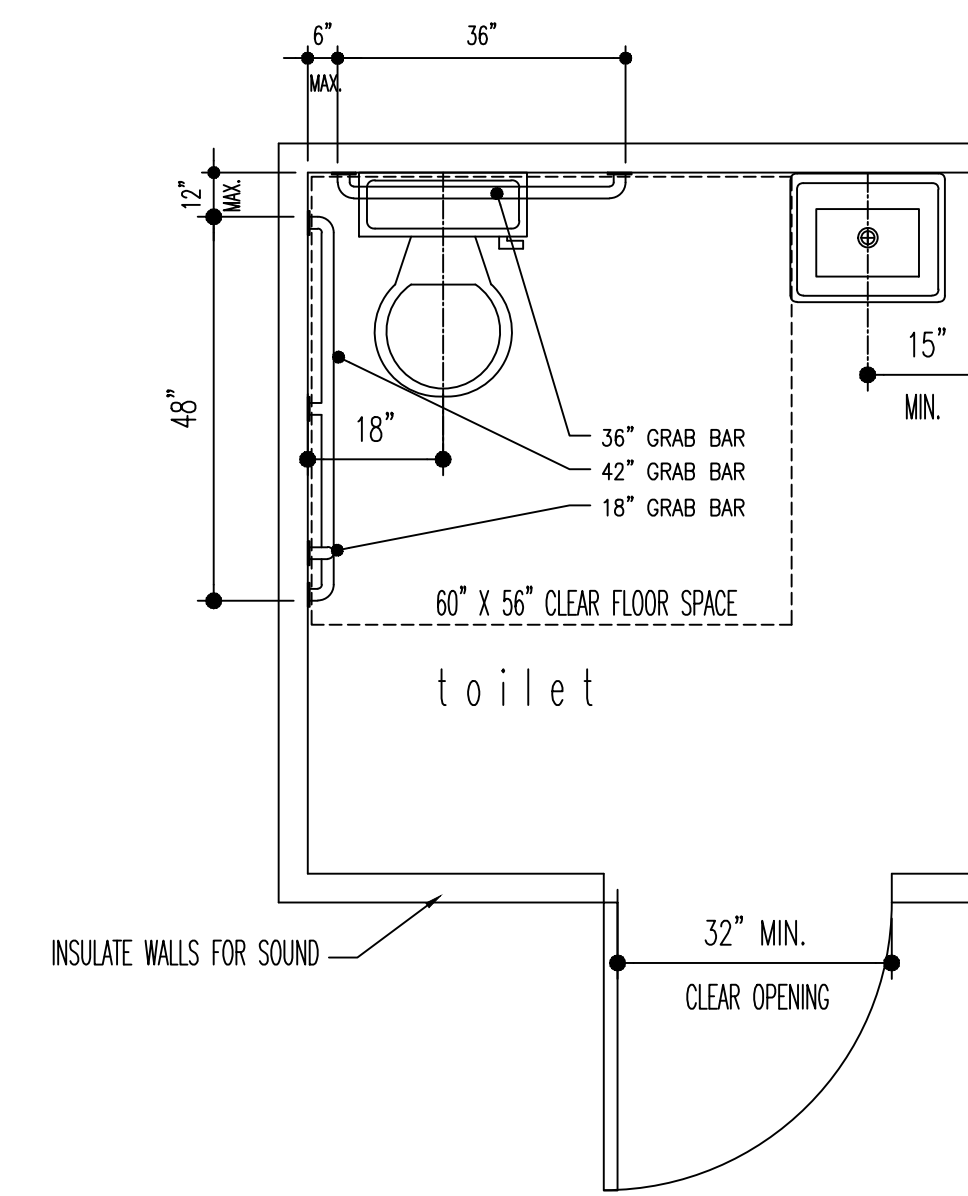
03 TYPICAL WALL
3" = 1'0"



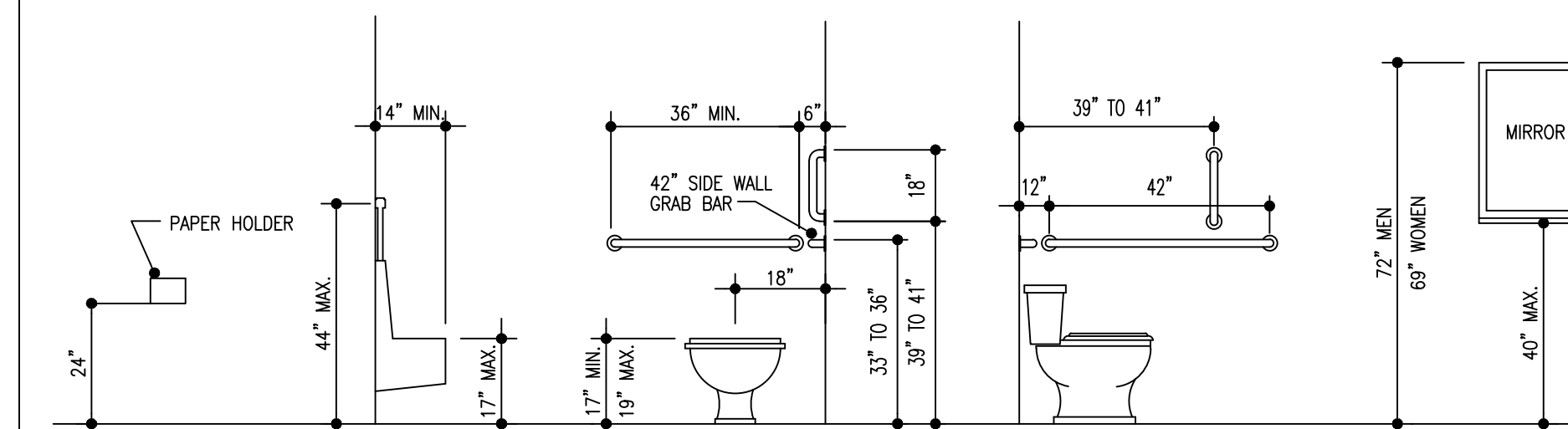
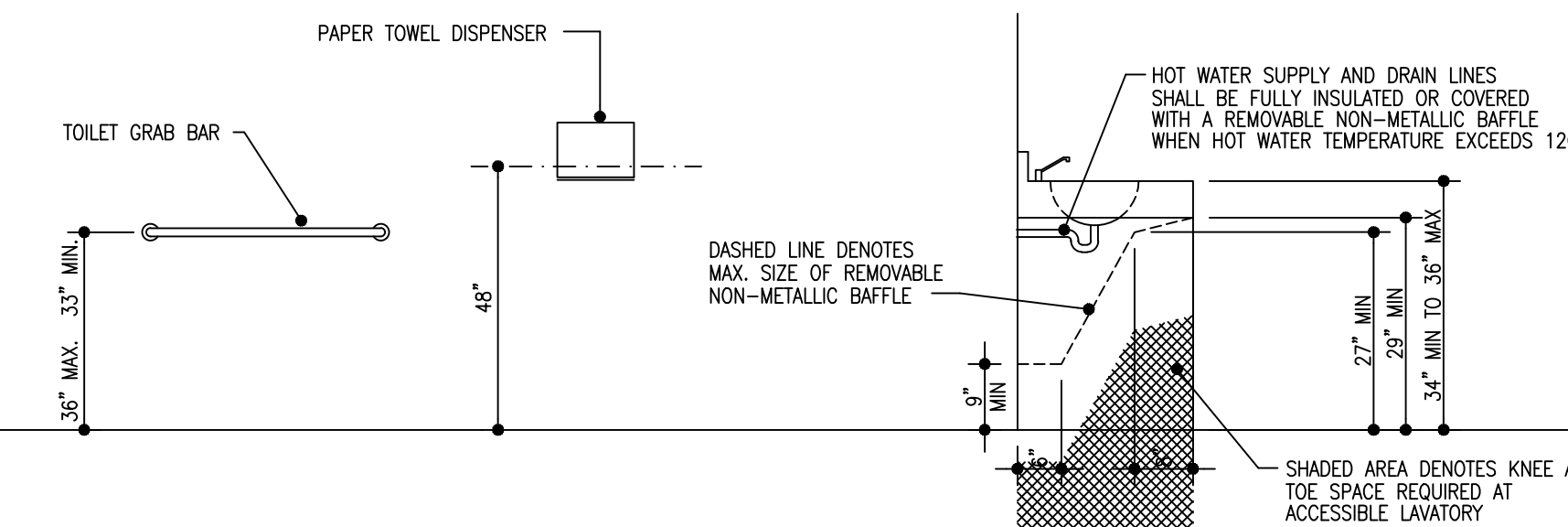
System Description
Wood Stud Exterior Wall (Loadbearing)
- 5/8" SHEETROCK Brand FIRECODE Core Gypsum Sheathing
- 2" x 4" wood studs 16" o.c.
- 5/8" SHEETROCK Brand FIRECODE Core Gypsum Panel
- Joints exposed or finished

System Performance
1 HR Fire
UL Design No. U305 or U314

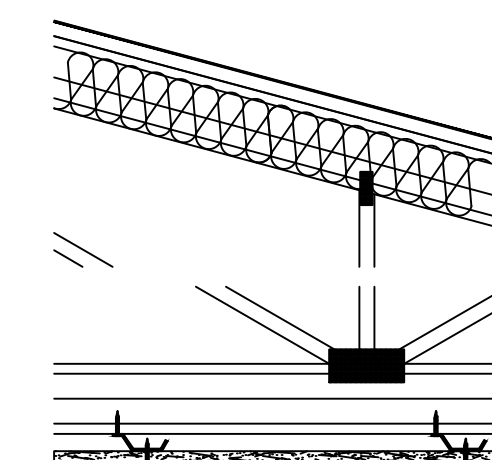
04 1HR RATED WALL
NO SCALE



01 TYPICAL TOILET PLAN
1/2" = 1'-0"



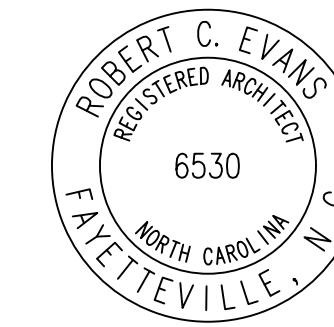
02 ACCESSORY MOUNTING HEIGHTS - ADULTS
3/8" = 1'0"



System Description
Roof Ceiling Assembly
- roof system over 15/32" plywood sheathing
- pitched or parallel chord wood trusses @ 48" o.c. max
- optional batts and blankets insulation
- air duct
- ceiling damper
- RC-1 channel or equivalent, 16" o.c. without insulation, 12" o.c. with insulation
- insulation optional in concealed space directly over gypsum ceiling membrane
- USG DGL Drywall Suspension System
- two layers 5/8" SHEETROCK Brand Firecode C core Gypsum Panels

System Performance
1 HR Fire
UL Design No. P522

05 1HR RATED CEILING
NO SCALE



07.12.18

ROBERT CHARLES EVANS
ARCHITECT
ARCHITECTURE
545 Pearl Street Fayetteville North Carolina 28303

Full Gospel Tabernacle Headquarters

Drawing Name:
Schedules

Project Name:
A New Building for
Full Gospel
Tabernacle Headquarters

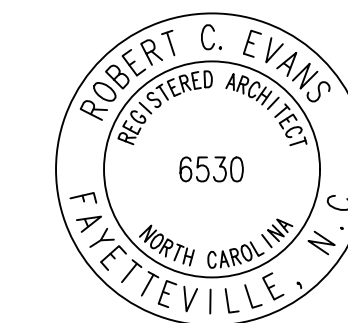
Project Location:
Hwy 55/Ashe Rd
Coats / Dunn
North Carolina

DRAWINGS AND THE DESIGN ARE THE PROPERTY OF THE ARCHITECT. WHETHER THE PROJECT FOR WHICH THEY ARE PREPARED IS EXECUTED OR NOT, THE DRAWINGS SHALL NOT BE USED BY THE PROJECT OWNER OR ANYONE ELSE FOR ANY OTHER PROJECT.

ADA AND LEGAL DISCLAIMER
THIS DOCUMENT IS INTENDED TO COMPLY WITH THE REQUIREMENTS OF THE AMERICANS WITH DISABILITIES ACT (ADA). ARCHITECTS AND ENGINEERS ARE NOT LICENSED TO INTERPRET LAWS OR GIVE ADVICE CONCERNING LAWS OR LEGAL MATTERS. THE OWNER SHOULD HAVE THIS DOCUMENT REVIEWED BY HIS ATTORNEY TO DETERMINE IF IT COMPLETES TO ADA AND OTHER LAWS.

PROJECT NO: 18-040
DRAWN BY: RCE.
DATE: 06.25.18
REVISIONS:

SHEET NO:
A2.1



07.12.18

ROBERT CHARLES EVANS
ARCHITECT
ARCHITECTURE
545 Pearl Street Fayetteville North Carolina 28303

Full Gospel Tabernacle Headquarters

Drawing Name:
Exterior Elevations

Project Name:
A New Building for
Full Gospel
Tabernacle Headquarters

Project Location:
Hwy 55/Ashe Rd
Coats / Dunn
North Carolina

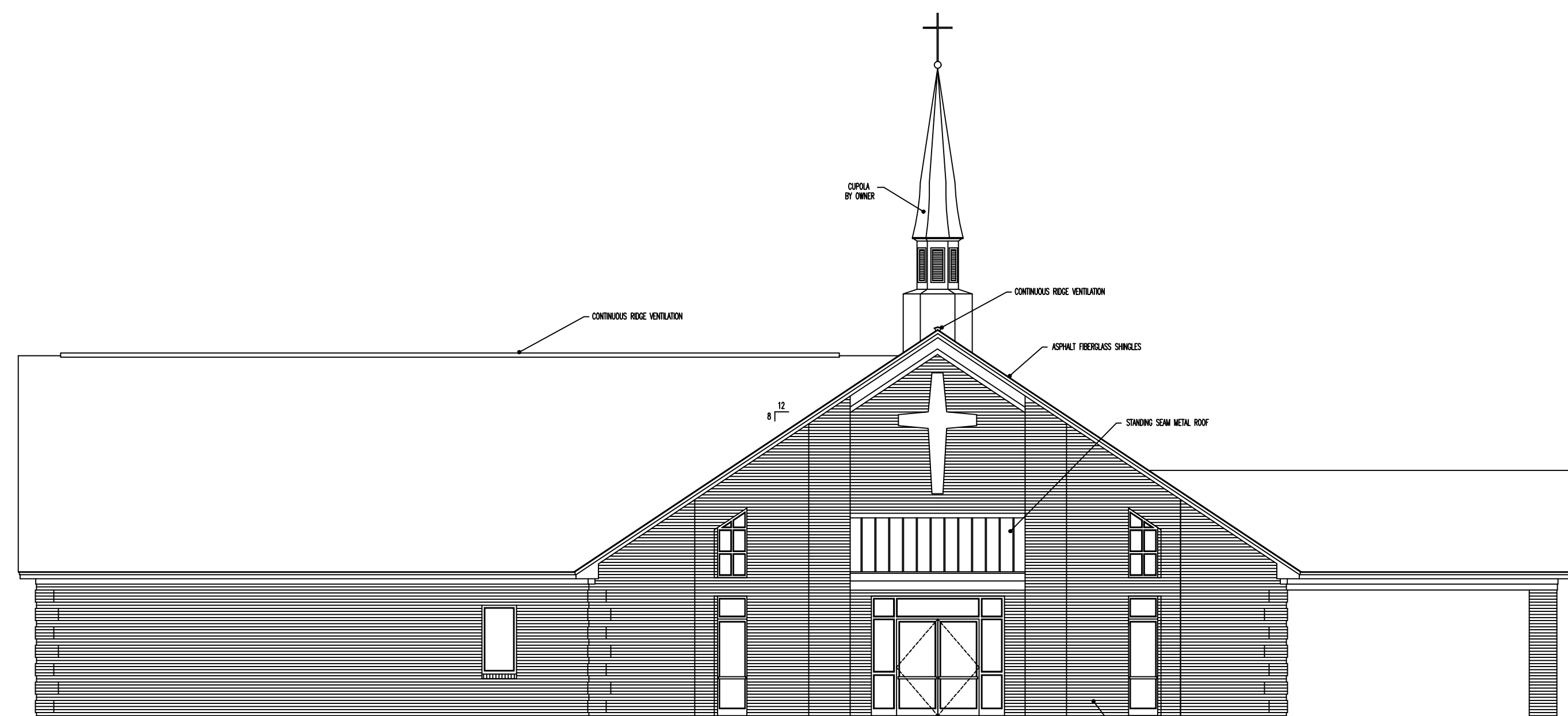
DRAWINGS AND THE DESIGN ARE THE PROPERTY OF THE ARCHITECT. WHETHER THE PROJECT FOR WHICH THEY ARE PREPARED IS EXECUTED OR NOT, THE DRAWINGS SHALL NOT BE USED BY THE PROJECT OWNER OR ANYONE ELSE FOR ANY OTHER PROJECT.

ADA AND LEGAL DISCLAIMER
THIS DOCUMENT IS INTENDED TO COMPLY WITH THE REQUIREMENTS OF THE AMERICANS WITH DISABILITIES ACT (ADA). ARCHITECTS AND ENGINEERS ARE NOT LICENSED TO INTERPRET LAWS OR GIVE ADVICE CONCERNING LAWS OR LEGAL MATTERS. THE OWNER SHOULD HAVE THIS DOCUMENT REVIEWED BY HIS ATTORNEY TO DETERMINE IF IT COMPLES TO ADA AND OTHER LAWS.

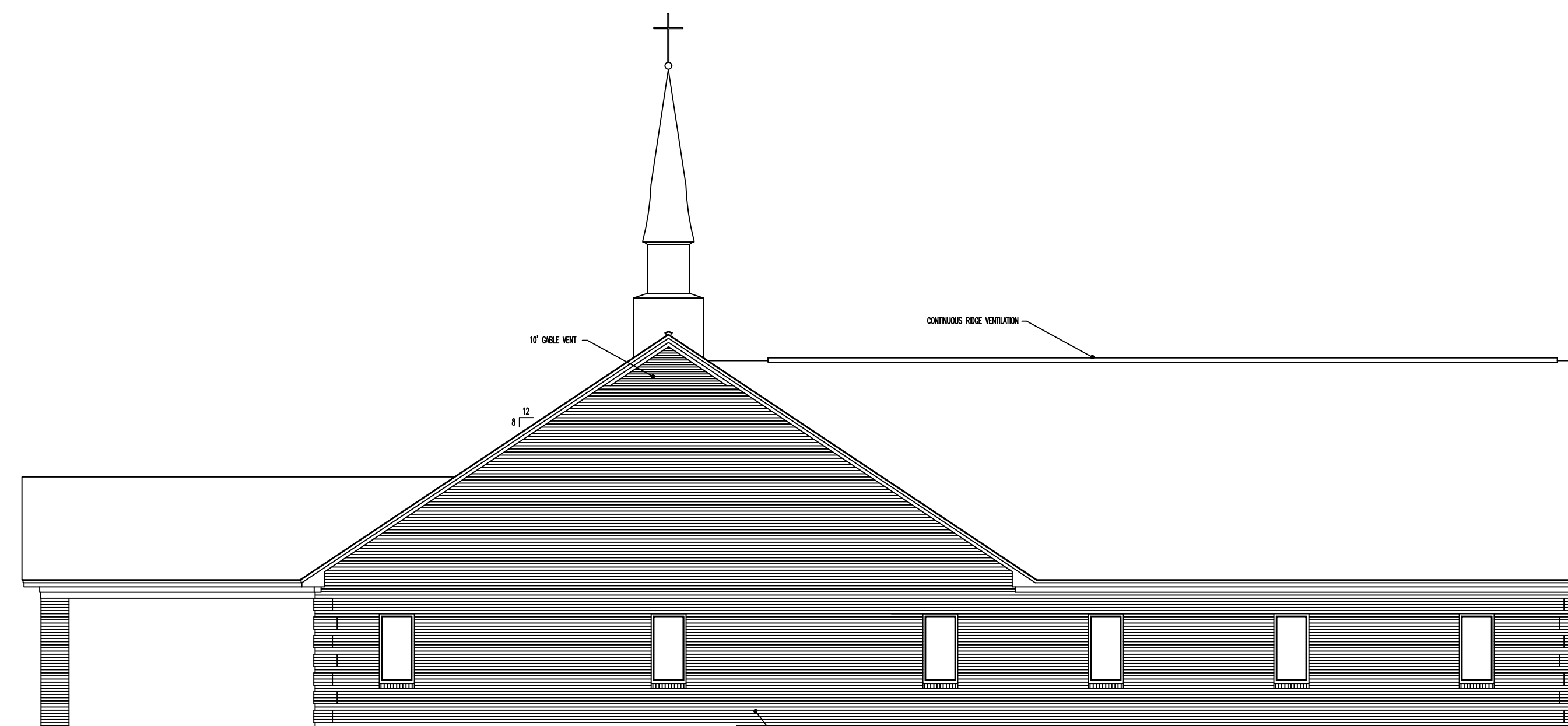
PROJECT NO: 18-040
DRAWN BY: RCE.
DATE: 06.25.18
REVISIONS:

SHEET NO:

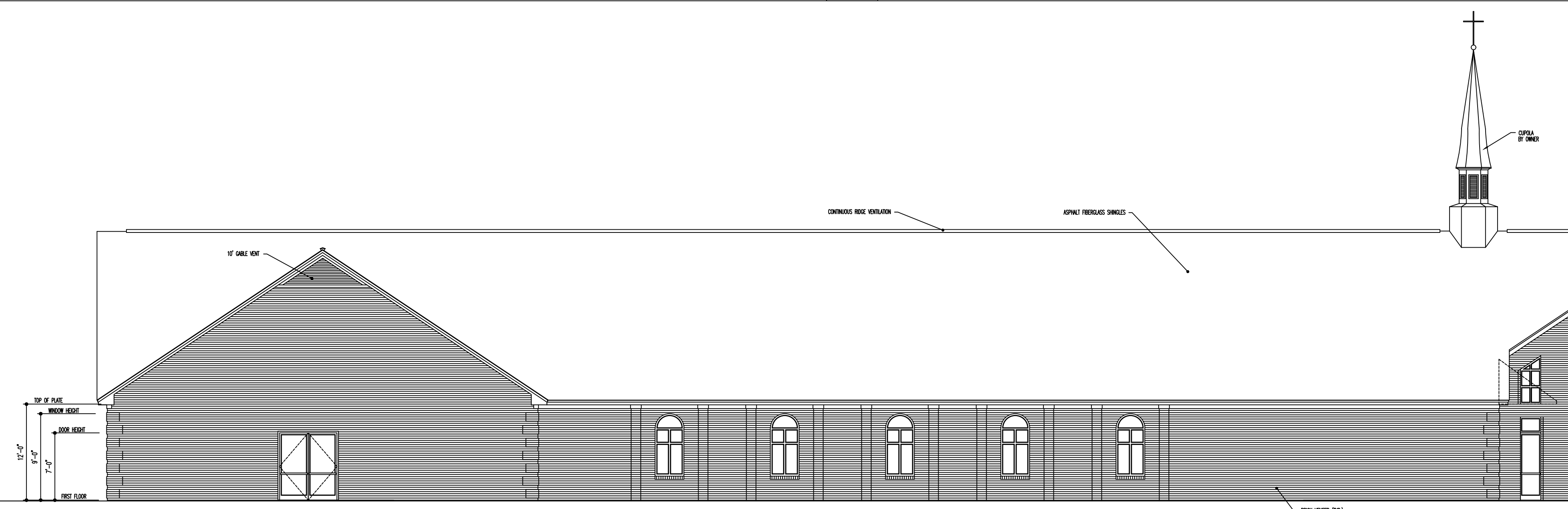
A3.1



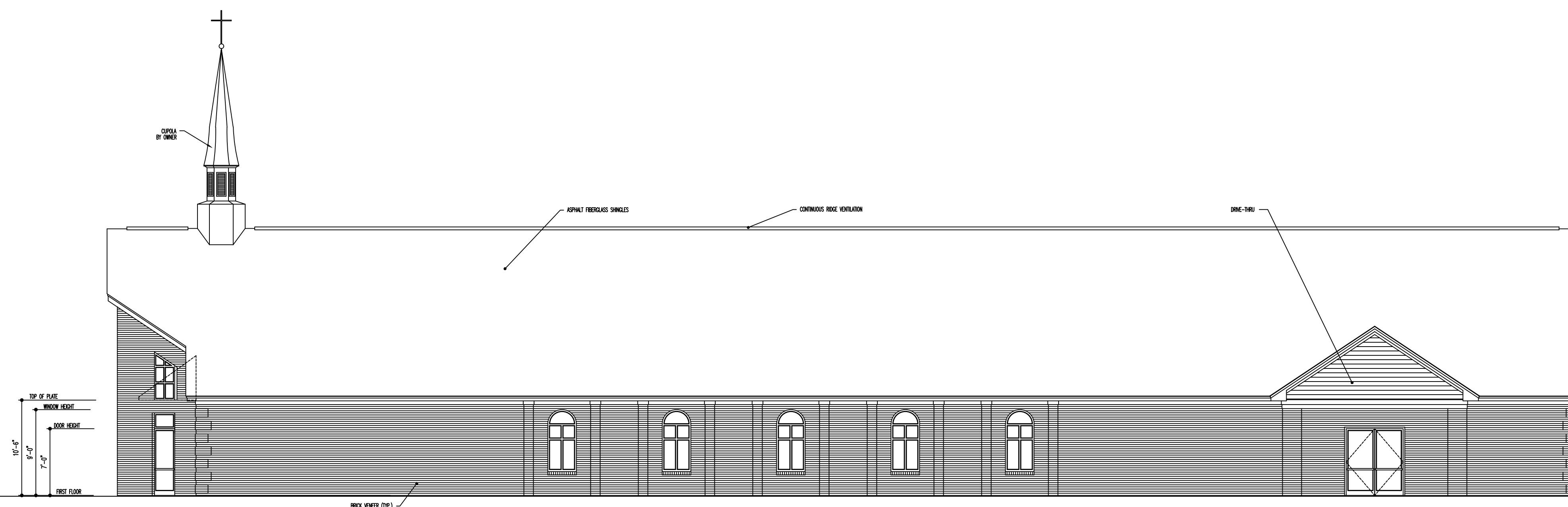
01 FRONT ELEVATION
1/8" = 1'-0"



02 REAR ELEVATION
1/8" = 1'-0"



03 LEFT SIDE ELEVATION
1/8" = 1'-0"

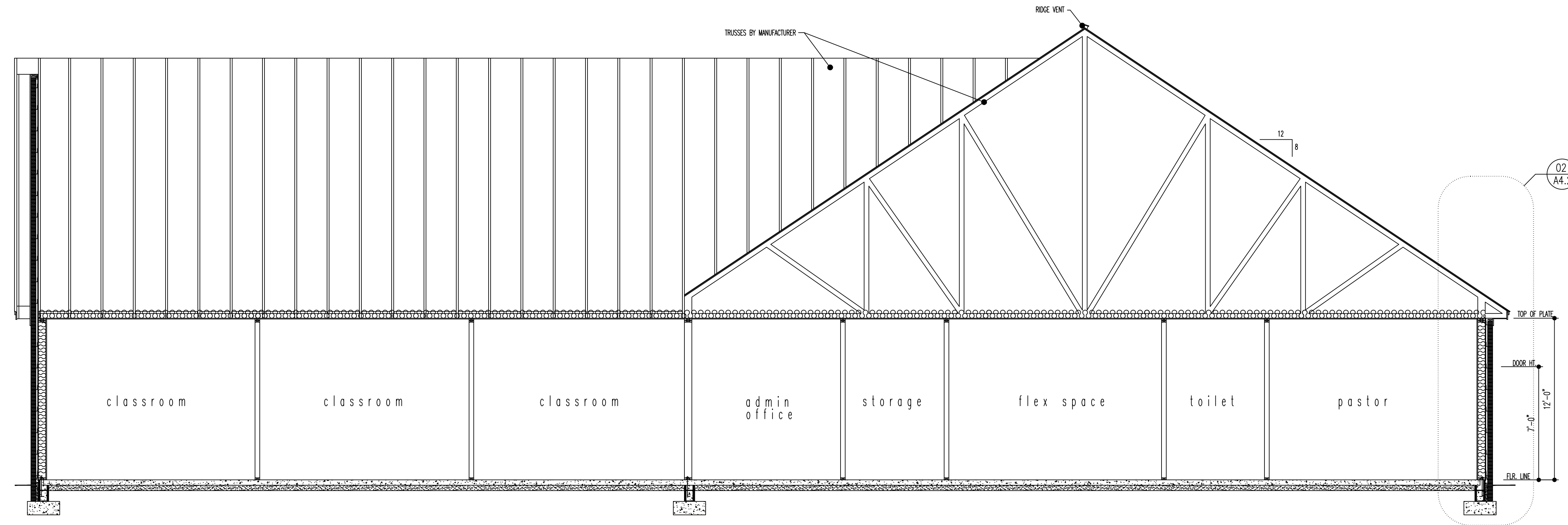


04 RIGHT SIDE ELEVATION
1/8" = 1'-0"

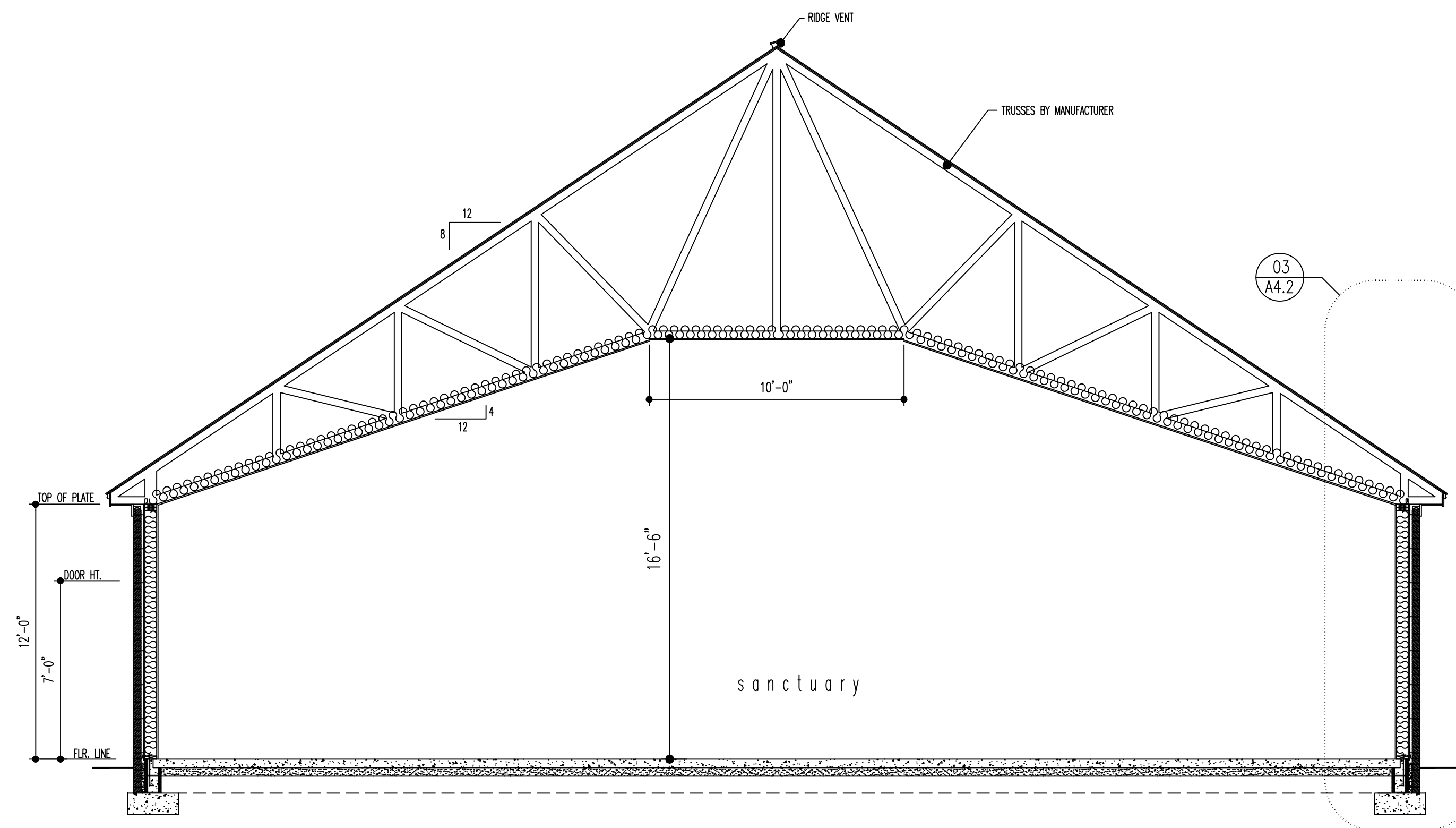


07.12.18

ROBERT CHARLES EVANS
ARCHITECT
ARCHITECTURE
545 Pearl Street Fayetteville North Carolina 28303



01 BUILDING SECTION
1/4" = 1'-0"



02 BUILDING SECTION
1/4" = 1'-0"

Full Gospel Tabernacle Headquarters

Drawing Name:
Building Sections

Project Name:
A New Building for
Full Gospel
Tabernacle Headquarters

Project Location:
Hwy 55/Ashe Rd
Coats / Dunn
North Carolina

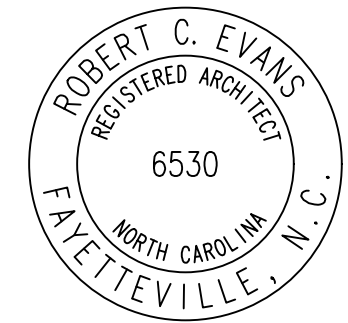
DRAWINGS AND THE DESIGN ARE THE PROPERTY OF THE ARCHITECT. WHETHER THE PROJECT FOR WHICH THEY ARE PREPARED IS EXECUTED OR NOT, THE DRAWINGS SHALL NOT BE USED BY THE PROJECT OWNER OR ANYONE ELSE FOR ANY OTHER PROJECT.

ADA AND LEGAL DISCLAIMER
THIS DOCUMENT IS INTENDED TO COMPLY WITH THE REQUIREMENTS OF THE AMERICANS WITH DISABILITIES ACT (ADA). ARCHITECTS AND ENGINEERS ARE NOT LICENSED TO INTERPRET LAWS OR GIVE ADVICE CONCERNING LAWS OR LEGAL MATTERS. THE OWNER SHOULD HAVE THIS DOCUMENT REVIEWED BY HIS ATTORNEY TO DETERMINE IF IT COMPLES TO ADA AND OTHER LAWS.

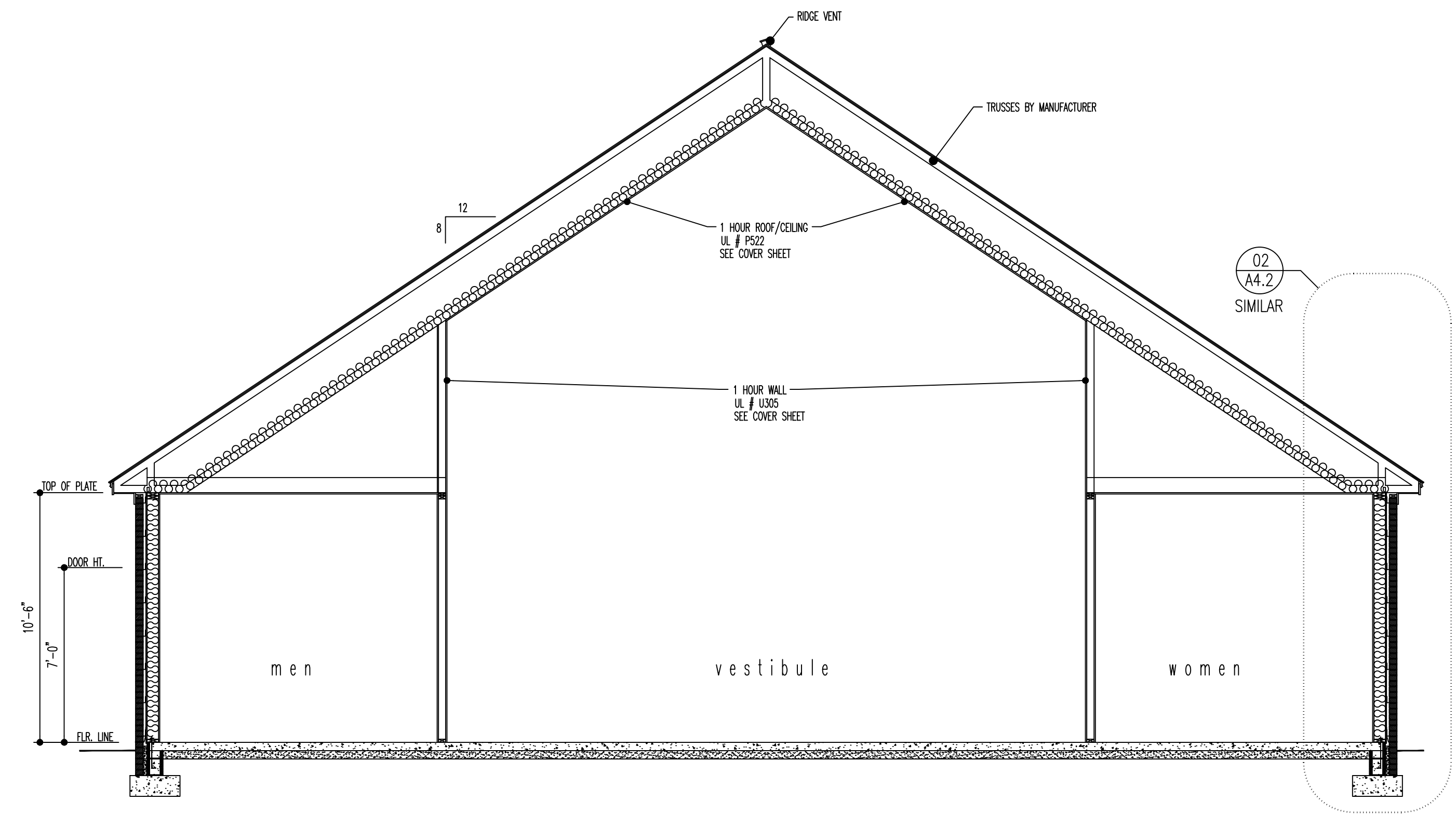
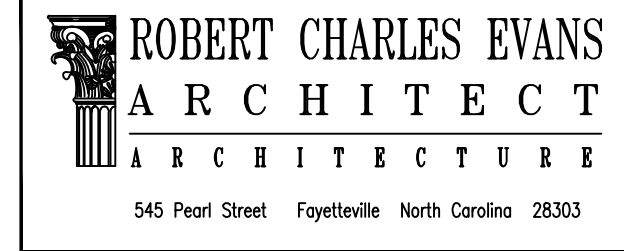
PROJECT NO: 18-040
DRAWN BY: RCE.
DATE: 06.25.18
REVISIONS:

SHEET NO:

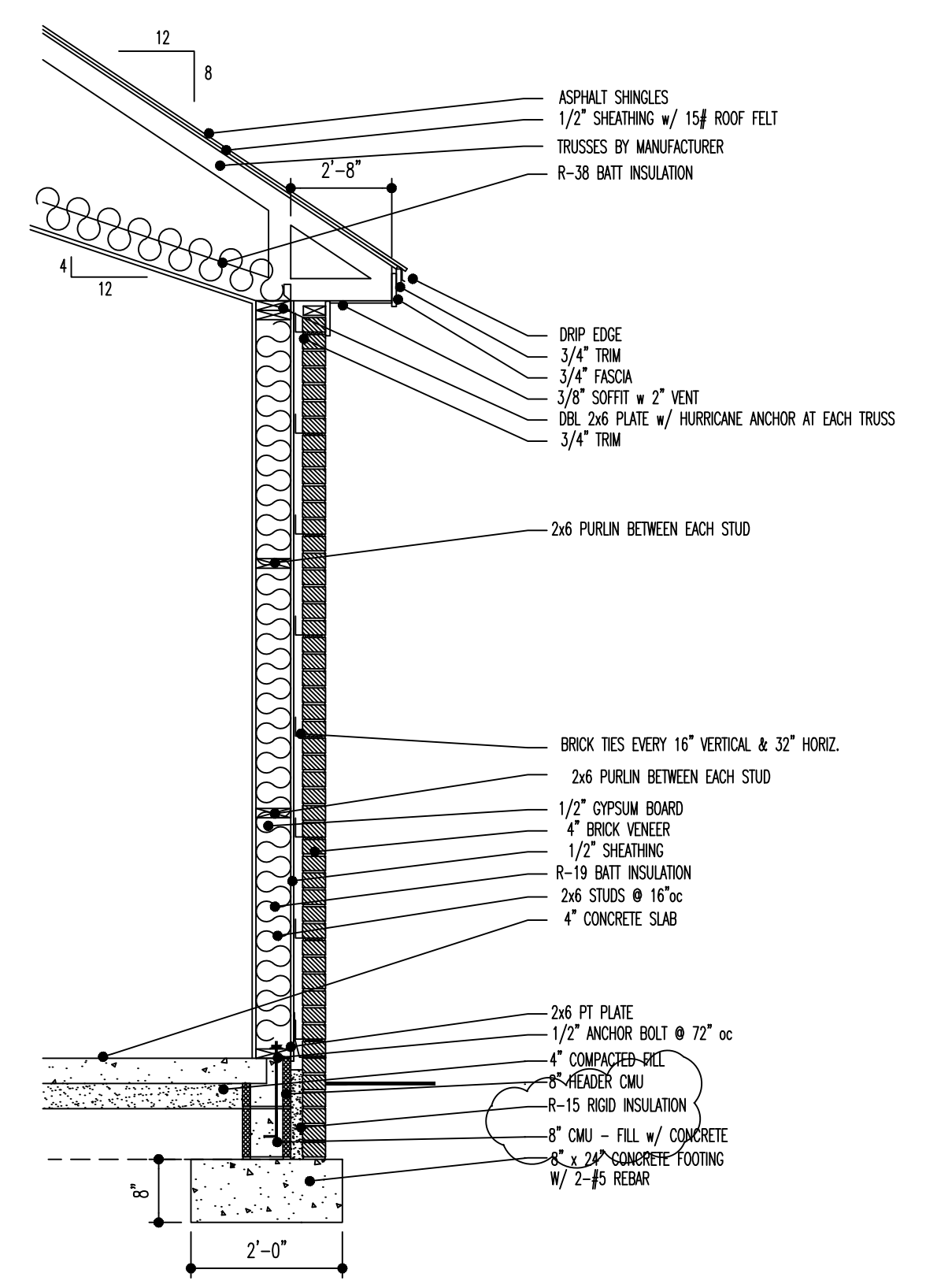
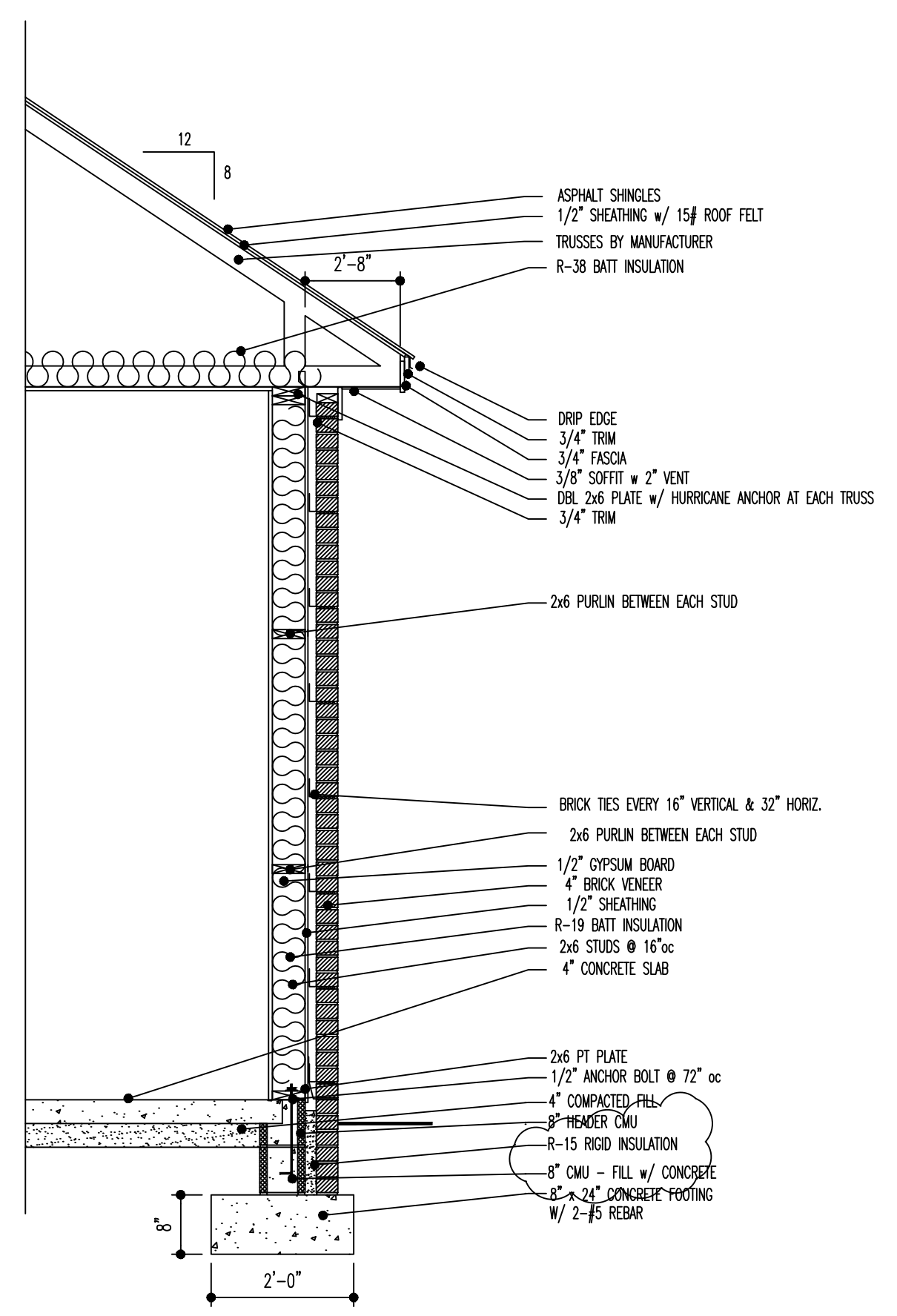
A4.1



02.26.19



01 BUILDING SECTION
1/4" = 1'-0"



02 WALL SECTION
1/2" = 1'-0"

03 WALL SECTION
1/2" = 1'-0"

Full Gospel Tabernacle Headquarters

Drawing Name:
Building Sections
Wall Sections

Project Name:
A New Building for
Full Gospel
Tabernacle Headquarters

Project Location:
Hwy 55/Ashe Rd
Coats / Dunn
North Carolina

DRAWINGS AND THE DESIGN ARE THE PROPERTY OF THE ARCHITECT. WHETHER THE PROJECT FOR WHICH THEY ARE PREPARED IS EXECUTED OR NOT, THE DRAWINGS SHALL NOT BE USED BY THE PROJECT OWNER OR ANYONE ELSE FOR ANY OTHER PROJECT.

ADA AND LEGAL DISCLAIMER
THIS DOCUMENT IS INTENDED TO COMPLY WITH THE REQUIREMENTS OF THE AMERICANS WITH DISABILITIES ACT (ADA). ARCHITECTS AND ENGINEERS ARE NOT LICENSED TO INTERPRET LAWS OR GIVE ADVICE CONCERNING LAWS OF LEGAL MATTERS. THE OWNER SHOULD HAVE THIS DOCUMENT REVIEWED BY HIS ATTORNEY TO DETERMINE IF IT COMPLIES TO ADA AND OTHER LAWS.

PROJECT NO: 18-040	SHEET NO:
DRAWN BY: RCE.	A4.2
DATE: 06.25.18	
REVISIONS:	



07.12.18

ROBERT CHARLES EVANS
ARCHITECT
ARCHITECTURE
545 Pearl Street Fayetteville North Carolina 28303

Full Gospel Tabernacle Headquarters

Drawing Name:
Foundation Plan

Project Name:
A New Building for
Full Gospel
Tabernacle Headquarters

Project Location:
Hwy 55/Ashe Rd
Coats / Dunn
North Carolina

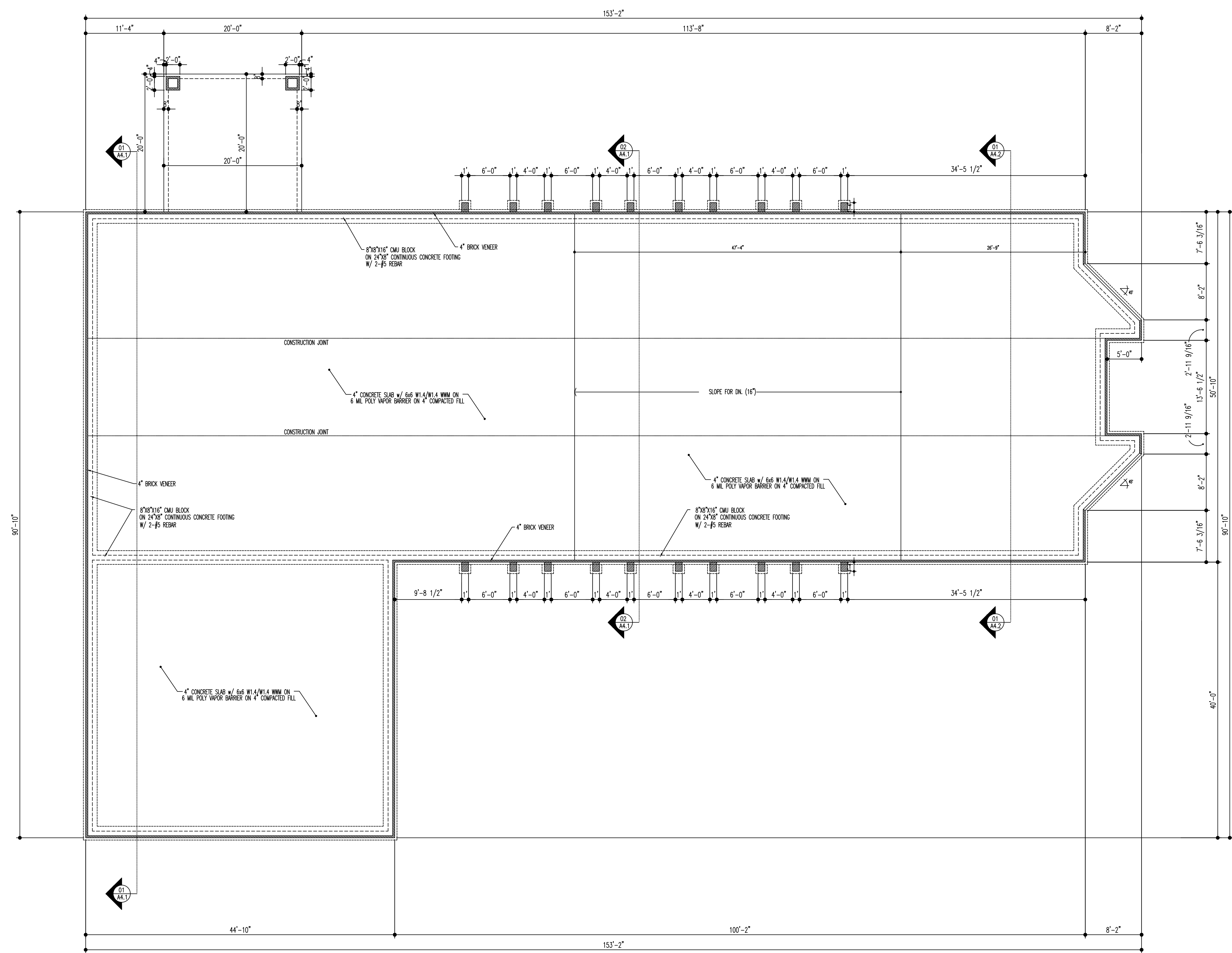
DRAWINGS AND THE DESIGN ARE THE PROPERTY OF THE ARCHITECT
WHETHER THE PROJECT FOR WHICH THEY ARE PREPARED IS
EXECUTED OR NOT. THE DRAWINGS SHALL NOT BE USED BY THE
PROJECT OWNER OR ANYONE ELSE FOR ANY OTHER PROJECT.

ADA AND LEGAL DISCLAIMER
THIS DOCUMENT IS INTENDED TO COMPLY WITH THE
REQUIREMENTS OF THE AMERICANS WITH DISABILITIES ACT (ADA).
ARCHITECTS AND ENGINEERS ARE NOT LICENSED TO INTERPRET
LAWS OR GIVE ADVICE CONCERNING LAWS OF LEGAL MATTERS.
THE OWNER SHOULD HAVE THIS DOCUMENT REVIEWED BY HIS
ATTORNEY TO DETERMINE IF IT COMPLES TO ADA AND OTHER LAWS.

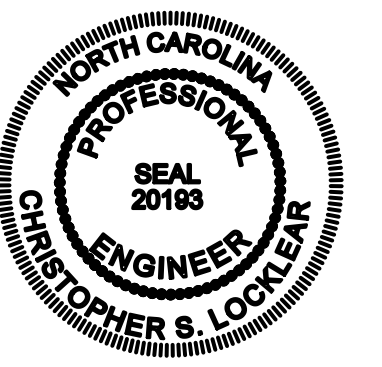
PROJECT NO: 18-040
DRAWN BY: RCE.
DATE: 06.25.18
REVISIONS:

SHEET NO:

A5.1



07-09-18



Coastal Plains Engineering, P.A.
License No. C-3060

558 FAYETTEVILLE RD
P.O. Box 1117
Pembroke, NC 28572
Phone: 910-281-7213
www.coastalplainseng.com

Full Gospel Tabernacle Headquarters

Drawing Name:

Project Name:
A New Building for
Full Gospel
Tabernacle Headquarters

Project Location:

Hwy 55/Ashe Rd INT
Coats
North Carolina

DRAWINGS AND THE DESIGN ARE THE PROPERTY OF THE ARCHITECT. WHETHER THE PROJECT FOR WHICH THEY ARE PREPARED IS EXECUTED OR NOT, THE DRAWINGS SHALL NOT BE USED BY THE PROJECT OWNER OR ANYONE ELSE FOR ANY OTHER PROJECT.

ADA AND LEGAL DISCLAIMER
THIS DOCUMENT IS INTENDED TO COMPLY WITH THE REQUIREMENTS OF THE AMERICANS WITH DISABILITIES ACT (ADA). ARCHITECTS AND ENGINEERS ARE NOT LICENSED TO INTERPRET LAWS OR GIVE ADVICE CONCERNING LAWS OF LEGAL MATTERS. THE OWNER SHOULD HAVE THIS DOCUMENT REVIEWED BY HIS ATTORNEY TO DETERMINE IF IT COMPLES TO ADA AND OTHER LAWS.

PROJECT NO: 18-040
DRAWN BY: RCE
DATE: 06.18.18
REVISION:

SHEET NO:

E1

CONTRACTOR SHALL COORDINATE WITH LOCAL UTILITY FOR SERVICE. A COMPLETE AND WORKING SYSTEM IS REQUIRED FOR COMPLIANCE WITH THESE DOCUMENTS. DETERMINE THE POINT OF CONNECTION TO THE UTILITY WITH THE UTILITY REPRESENTATIVE AND PROVIDE ACCORDINGLY FOR A COMPLETE WORKING SYSTEM.

WIRE AND CABLE SHALL BE INSULATED, TYPE THHN OR THHN, 600 VOLTS, WITH COPPER CONDUCTORS. CONDUCTOR SIZES NO. 8 AWG AND LARGER MAY BE STRANDED. CONDUCTORS SIZES NO. 10 AWG AND SMALLER MAY BE SOLID OR STRANDED. NO ROMEX PERMITTED.

EMT SHALL BE GALVANIZED STEEL TUBING, 1/2-INCH MINIMUM SIZE, EQUAL TO ELECTRUNITE BRAND OR APPROVED AND USED ONLY WITH HEXAGONAL ALL STEEL COMPRESSION FITTINGS.

PLASTIC CONDUIT SHALL BE RIGID, 3/4-INCH MINIMUM NON-METALLIC, HEAVY DUTY, HIGH IMPACT, POLYVINYLCHLORIDE (PVC), TYPE 1 WILL BE USED FOR CONCRETE ENCASEMENT. FITTINGS SHALL BE THE SAME MATERIALS AND MANUFACTURER AS THE PLASTIC CONDUIT.

FLEXIBLE METAL CONDUIT SHALL BE 1/2-INCH MINIMUM SINGLE STRIP, STEEL, HOT DIPPED GALVANIZED INSIDE AND OUTSIDE, MAXIMUM LENGTH 72 INCHES FOR LIGHTING AND 36" FOR MOTORS. FLEXIBLE METAL CONDUIT SHALL BE LIQUIDTIGHT OR WATERTIGHT WITH PVC JACKET WHERE USED IN DAMP, WET OR OUTSIDE AREAS, AND LIQUIDTIGHT OR WATERTIGHT CONNECTORS SHALL BE USED.

NO RECEPTACLES OR TEL. OUTLETS TO BE MOUNTED BACK TO BACK, KEEP AT LEAST 2 INCHES BETWEEN RECEPTACLES AND TEL. OUTLETS.

ALL CONDUCTOR SHALL BE COPPER WITH A MINIMUM SIZE OF #12 AWG EXCEPT FOR FIRE ALARM. THESE CONDUCTORS SHOULD COMPLY WITH NFPA.

CONTRACTOR SHALL ALIGN FIXTURES, SMOKE DETECTORS, CEILING DIFFUSERS ETC. AS REQUIRED TO PROVIDE A UNIFORM PRESENTATION. AT NO TIME WILL AN IONIZATION DETECTOR BE LOCATED WITHIN 3'-0" OF A SUPPLY OR RETURN AIR GRILLE.

CIRCUIT BREAKERS AND WIRE ARE SIZED FOR SPECIFIC EQUIPMENT. BEFORE ORDERING WIRE, BREAKERS AND CONDUIT FOR THIS PROJECT THE CONTRACTOR SHALL COORDINATE WITH THE OTHER CONTRACTORS ON THE JOB AND VERIFY THE ELECTRICAL DATA FOR THE EQUIPMENT WHICH WILL ACTUALLY BE INSTALLED, RECOMPUTING WIRE AND BREAKER SIZES IF REQUIRED BY THE NEC.

ALL CONDUIT TERMINATING IN THE CEILING CAVITIES IS TO BE LABELED.

ALL CONDUIT SHALL BE COLOR CODED WITH 1/2" WIDE TAPE, 10'-0" ON CENTER IN ACCORDANCE WITH STANDARD INDUSTRY PRACTICE.

THE MOUNTING HEIGHTS AND LOCATIONS OF ALL WALL MOUNTED OUTLETS AND JUNCTION BOXES SHALL BE REVIEWED AND COORDINATED WITH THE ARCHITECT AND OWNER, PRIOR TO INSTALLATION, FOR USE WITH ACTUAL EQUIPMENT.

EACH CONTRACTOR WILL PROVIDE HIS OWN SUPPORT OF ALL DEVICES AND EQUIPMENT PROVIDED BY HIM AND SHALL SUPPORT SUCH EQUIPMENT PER APPROVED GOVERNING CODES OR PER APPROVAL OF THE ENGINEER/ARCHITECT. UNACCEPTABLE WORKMANSHIP OR MATERIALS SHALL BE REPLACED AT THE REQUEST OF THE ENGINEER/ARCHITECT AT THE CONTRACTOR'S EXPENSE.

THE CONTRACTOR SHALL REFER TO THE ARCHITECTURAL PLANS FOR FLOOR PLAN DIMENSIONS.

THE CONTRACTOR SHALL COORDINATE ANY AND ALL WORK WITH OTHER TRADES INVOLVED IN THIS PROJECT PRIOR TO THE INSTALLATION OF HIS EQUIPMENT, SO AS TO AVOID CONFLICTS DURING CONSTRUCTION AND ALLOW FOR OPTIMUM WORKING SPACE AND MAINTENANCE.

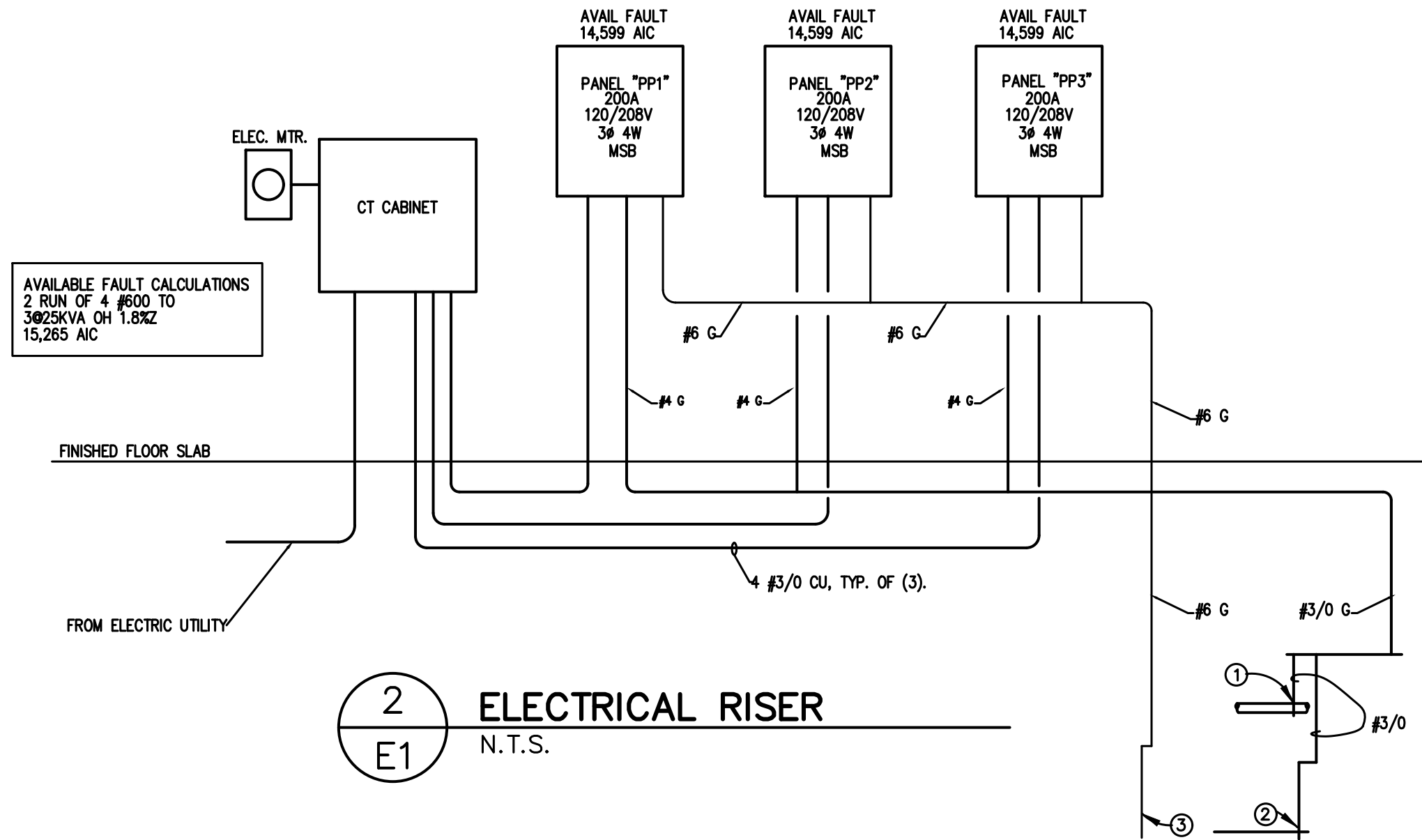
ALL FUSES DISCONNECT SWITCHES AND BREAKER SIZES SHOWN FOR MECHANICAL EQUIPMENT SHALL BE VERIFIED BEFORE PURCHASE AND INSTALLATION OF SAID EQUIPMENT WITH THE EQUIPMENT SUPPLIER AND MECHANICAL CONTRACTOR.

WHERE EQUIPMENT PENETRATES EXTERIOR WALL OR ROOF THEY SHALL BE PROPERLY SEALED WITH METHODS APPROVED BY THE ARCHITECT/ENGINEER.

ALL WORK IS TO BE DONE IN STRICT COMPLIANCE WITH THE LATEST VERSION OF THE NEC AND APPLICABLE STATE CODES

RECESSED FIXTURES INSTALLED IN RATED ASSEMBLIES SHALL BE INSTALLED WITH AN ENCLOSURE SO AS TO MAINTAIN THE RATING OF ASSEMBLY

1 ELECTRICAL NOTES E1 N.T.S.



GROUNDING ELECTRODE DETAILS

GROUNDING ELECTRODE CONDUCTORS SHALL BE #3/0 BARE COPPER. OTHER MATERIAL AND INSTALLATION PER NEC 2014.

- CONNECT TO METALLIC WATER PIPE AS REQ'D.
- #3/0 COPPER GROUND TO FOUNDATION REBAR OR BLDG. STEEL
- 3/4"x10' LONG COPPER CLAD PIPE AS REQ'D. GROUNDING ROD W/ #6 COPPER GROUND, MAX 25 OHMS

Panel	ROOM	VOLTS	208Y/120V 3P 4W	AIC	22,000		
PP1	MOUNTING FLUSH	BUS AMPS	200	MAIN BKR	200		
	FED FROM UTILITY	NEUTRAL	100%	LUGS	STANDARD		
	NOTE						
CKT #	CKT BKR	LOAD KVA	CIRCUIT DESCRIPTION	CKT #	CKT BKR	LOAD KVA	CIRCUIT DESCRIPTION
1	20/1	0.72	ADMIN. OFFICE RECEPTACLE	a 2	20/1	0.18	MEN TLT RECEPTACLE
3	20/1	0.72	STORAGE RECEPTACLE	b 4	30/2	4.8	WH-3
5	20/1	0.72	FLEX SPACE RECEPTACLE	c 6			
7	20/1	0.9	PASTOR RECEPTACLE	a 8	30/2	4.8	WH-1
9	20/1	0.9	HALLWAY RECEPTACLE	b 10			
11	20/1	0.9	CHOIR RECEPTACLE	c 12	40/2	7.9	AHU-1
13	20/1	0.54	PULPIT RECEPTACLE	a 14			
15	20/1	0.72	SANCT. RECEPTACLE	b 16	35/3	12.2	AHU-2
17	20/1	0.72	CRY ROOM RECEPTACLE	c 18			
19	20/1	0.54	AUDIO RECEPTACLE	a 20			
21	20/1	0.54	AUDIO RECEPTACLE	b 22	20/1	0.1	FACP
23	20/1	0.72	SANCT. RECEPTACLE	c 24	20/1	0	SPARE
25	20/1	0.54	NURSERY RECEPTACLE	a 26	20/1	0	SPARE
27	20/1	0.18	VESTIBULE RECEPTACLE	b 28	20/1	0	SPARE
29	20/1	0.18	WOMEN TLT RECEPTACLE	c 30	20/1	0	SPARE
31	30/2	4.8	WH-2	a 32	20/1	0	SPARE
33				b 34	20/1	0	SPARE
35	20/1	0.72	VESTIBULE RECEPTACLE	c 36	20/1	0	SPARE
37	20/1	0.18	EWG RECEPTACLE	a 38	20/1	0	SPARE
39	20/1	0.54	PULPIT RECEPTACLE	b 40	20/1	0	SPARE
41	20/1	0.18	EWG RECEPTACLE	c 42	20/1	0	SPARE
		CONN KVA	CALC KVA	CONN KVA	CALC KVA		
LIGHTING		0	0	(125%)	CONTINUOUS	14.4	18 (125%)
LARGEST MOTOR		12.2	3.06	(25%)	HEATING	20.2	20.2 (100%)
OTHER MOTORS		0	0	(100%)	COOLING	20.2	0 (0%)
RECEPTACLES		11.3	10.7	(50%>10)	NONCONTINUOUS	0.1	0.1 (100%)
KITCHEN EQUIP		0	0	(N/A)	DIVERSE	0	0 (N/A)
					METERED DEMAND	0	0 (125%)
		TOTAL KVA		46		52	
		BALANCED 3-PHASE AMPS		144		144	
PHASE BALANCE PERCENT:		PHASE A	107%	PHASE B	97.9%	PHASE C	95%

Panel	ROOM	VOLTS	208Y/120V 3P 4W	AIC	22,000		
PP2	MOUNTING FLUSH	BUS AMPS	200	MAIN BKR	200		
	FED FROM UTILITY	NEUTRAL	100%	LUGS	STANDARD		
	NOTE						
CKT #	CKT BKR	LOAD KVA	CIRCUIT DESCRIPTION	CKT #	CKT BKR	LOAD KVA	CIRCUIT DESCRIPTION
1	40/2	8.32	AHU-6	a 2	20/2	2.5	HP-1
3				b 4			
5	30/2	4.8	WH-4	c 6	40/3	8.64	HP-2
7				a 8			
9	30/2	4.8	WH-5	b 10			
11				c 12	40/3	8.64	HP-3
13	20/1	0	SPARE	a 14			
15	20/1	0	SPARE	b 16			
17	20/1	0	SPARE	c 18	40/3	8.64	HP-4
19	20/1	0	SPARE	a 20			
21	20/1	0	SPARE	b 22			
23	20/1	0	SPARE	c 24	40/3	8.64	HP-5
25	20/1	0	SPARE	a 26			
27	20/1	0	SPARE	b 28			
29	20/1	0	SPARE	c 30	15/3	3.96	HP-6
31	20/1	0	SPARE	a 32			
33	20/1	0	SPARE	b 34			
35	20/1	0	SPARE	c 36	20/1	0	SPARE
37	20/1	0	SPARE	a 38	20/1	0	SPARE
39	20/1	0	SPARE	b 40	20/1	0	SPARE
41	20/1	0	SPARE	c 42	20/1	0	SPARE
		CONN KVA	CALC KVA	CONN KVA	CALC KVA		
LIGHTING		0	0	(125%)	CONTINUOUS	9.6	12 (125%)
LARGEST MOTOR		8.64	2.16	(25%)	HEATING	49.3	49.3 (100%)
OTHER MOTORS		0	0	(100%)	COOLING	49.3	0 (0%)
RECEPTACLES		0	0	(50%>10)	NONCONTINUOUS	0	0 (100%)
KITCHEN EQUIP		0	0	(N/A)	DIVERSE	0	0 (N/A)
					METERED DEMAND	0	0 (125%)
		TOTAL KVA		63.5		63.5	
		BALANCED 3-PHASE AMPS		176		176	
PHASE BALANCE PERCENT:		PHASE A	105%	PHASE B	105%	PHASE C	89.6%

Panel	ROOM	VOLTS	208Y/120V 3P 4W	AIC	22,000		
PP3	MOUNTING FLUSH	BUS AMPS	200	MAIN BKR	200		
	FED FROM UTILITY	NEUTRAL	100%	LUGS	STANDARD		
	NOTE						
CKT #	CKT BKR	LOAD KVA	CIRCUIT DESCRIPTION	CKT #	CKT BKR	LOAD KVA	CIRCUIT DESCRIPTION
1	35/3	12.2	AHU-5	a 2	20/1	0.54	LIGHTING
3				b 4	20/1	0.719	EF4, LIGHTING
5				c 6	20/1	0.887	EF2, EF3, LIGHTING
7	35/3	12.2	AHU-4	a 8	20/1	0.557	EF1, LIGHTING
9				b 10	20/1	0.9	CLASSROOM RECEPTACLE
11				c 12	20/1	0.72	CLASSROOM RECEPTACLE
13	35/3	12.2	AHU-3	a 14	20/1	0.72	CLASSROOM RECEPTACLE
15				b 16	20/1	0.36	TOILET RECEPTACLE
17				c 18	20/1	0.9	STORAGE RECEPTACLE
19	35/3	11.5	AHU-7	a 20	20/1	0.72	CLASSROOM RECEPTACLE
21				b 22	20/1	0.864	EF5, EF6, LIGHTING
23				c 24	20/1	0	SPARE
25	35/3	7.57	HP-7	a 26	20/1	0	SPARE
27				b 28	20/1	0	SPARE
29				c 30	20/1	0	SPARE
31	20/1	0	SPARE	a 32	20/1	0	SPARE
33	20/1	0	SPARE	b 34	20/1	0	SPARE
35	20/1	0	SPARE	c 36	20/1	0	SPARE
37	20/1	0	SPARE	a 38	20/1	0	SPARE
39	20/1	0	SPARE	b 40	20/1	0	SPARE
41	20/1	0	SPARE	c 42	20/1	0	SPARE
		CONN KVA	CALC KVA	CONN KVA	CALC KVA		
LIGHTING		2.86	3.57	(125%)	CONTINUOUS	0	0 (125%)
LARGEST MOTOR		12.2	3.06	(25%)	HEATING	55.8	55.8 (100%)
OTHER MOTORS		0	0	(100%)	COOLING	55.8	0 (0%)
RECEPTACLES		4.32	4.32	(50%>10)	NONCONTINUOUS	0.712	0.712 (100%)
KITCHEN EQUIP		0	0	(N/A)	DIVERSE	0	0 (N/A)
					METERED DEMAND	0	0 (125%)
		TOTAL KVA		63.7		67.5	
		BALANCED 3-PHASE AMPS		187		187	
PHASE BALANCE PERCENT:		PHASE A	99.6%	PHASE B	101%	PHASE C	99.4%

07-09-18



Coastal Plains Engineering, P.A.
License No. C-5069

258 FAYETTEVILLE RD
P.O. Box 1117
Pembroke, NC 28572
Voice: 910-281-7213
www.coastalplainseng.com

Full Gospel Tabernacle Headquarters

Drawing Name:

Project Name:
A New Building for
Full Gospel
Tabernacle Headquarters

Project Location:

Hwy 55/Ashe Rd INT
Coats
North Carolina

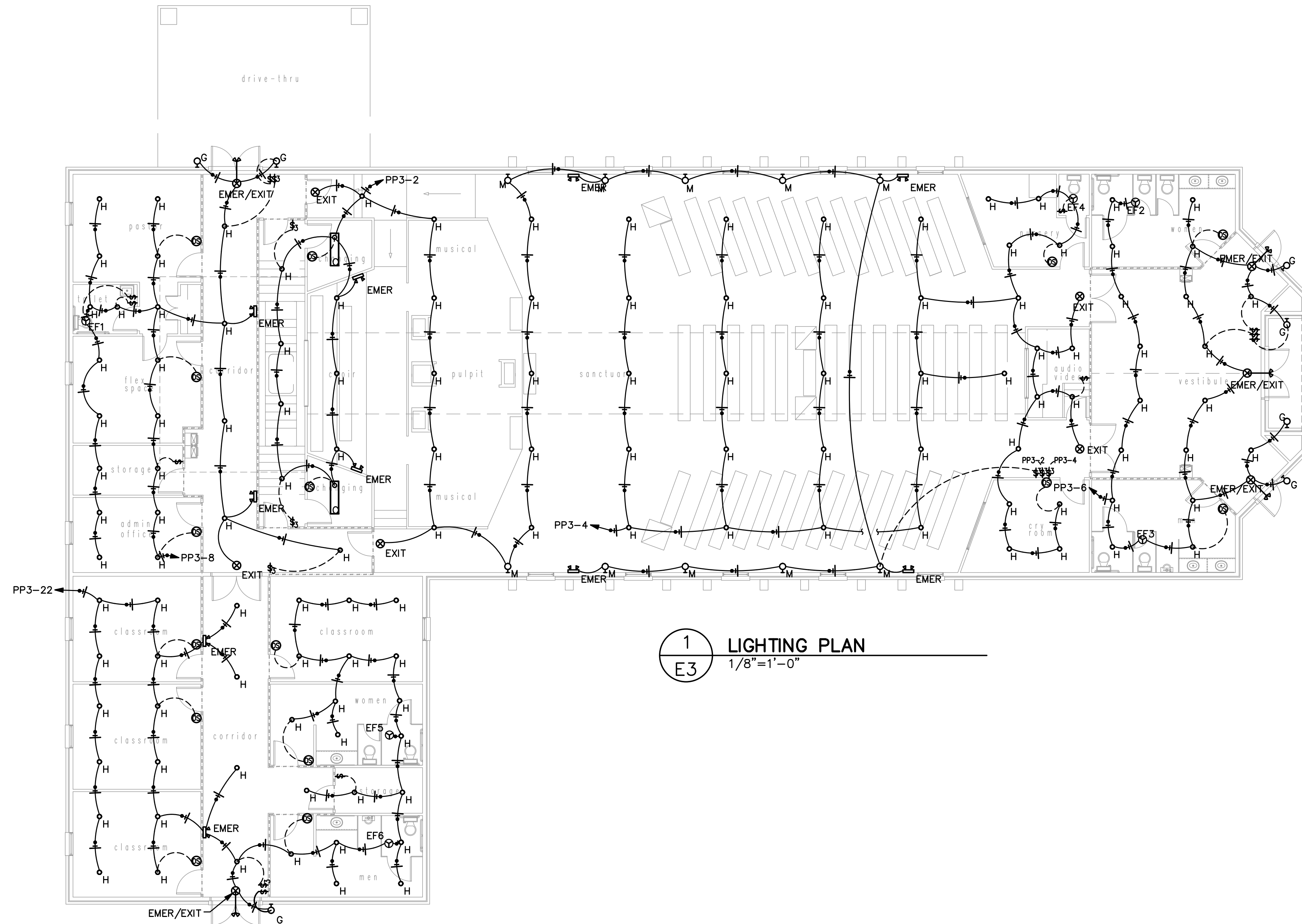
DRAWINGS AND THE DESIGN ARE THE PROPERTY OF THE ARCHITECT. WHETHER THE PROJECT FOR WHICH THEY ARE PREPARED IS EXECUTED OR NOT, THE DRAWINGS SHALL NOT BE USED BY THE PROJECT OWNER OR ANYONE ELSE FOR ANY OTHER PROJECT.

ADA AND LEGAL DISCLAIMER
THIS DOCUMENT IS INTENDED TO COMPLY WITH THE REQUIREMENTS OF THE AMERICANS WITH DISABILITIES ACT (ADA). ARCHITECTS AND ENGINEERS ARE NOT LICENSED TO INTERPRET LAWS OR GIVE ADVICE CONCERNING LAWS OF LEGAL MATTERS. THE OWNER SHOULD HAVE THIS DOCUMENT REVIEWED BY HIS ATTORNEY TO DETERMINE IF IT COMPLES TO ADA AND OTHER LAWS.

PROJECT NO: 18-040
DRAWN BY: RCE
DATE: 06.18.18
REVISIONS:

SHEET NO:

E3



1 LIGHTING PLAN
E3 1/8"=1'-0"

2012 North Carolina Energy Conservation Code Commercial Energy Efficiency - Electrical Summary

THIS SECTION REQUIRED FOR ALL PROJECTS THAT INCLUDE ELECTRICAL DESIGN

- 501.1 METHOD OF COMPLIANCE** NC SPECIFIC COMCHECK PROVIDED
X 2012 NCECC CHAPTER 5 20% IMPROVEMENT OVER ASHRAE 90.1-2007
- 501.2 APPLICATION COMPLIANCE**
- 506.2.1 EFFICIENT MECH EQUIPMENT 506.2.4 HI EFFICIENCY DOMESTIC HW
X 506.2.2 REDUCED LTG DENSITY 506.2.5 ONSITE RENEWABLE ENERGY
 506.2.3 ENERGY RECOVERY SYSTEMS 506.2.6 DAYLIGHTING CONTROLS
- 505.2 INTERIOR LIGHTING CONTROLS (MANDATORY REQUIREMENTS)**
X INTERIOR LIGHTING SYSTEMS ARE PROVIDED WITH CONTROLS AS REQUIRED PER SECTION 505.2, EXCEPT WHERE EXEMPTED.
- 505.3- TANDEM WIRING (MANDATORY REQUIREMENTS)**
X FLUORESCENT LUMINARIES LOCATED WITHIN THE SAME AREA ARE TANDEM WIRED AS REQUIRED PER SECTION 505.3, EXCEPT WHERE EXEMPTED.
- 505.4- EXIT SIGNS (MANDATORY REQUIREMENTS)**
X INTERNALLY ILLUMINATED EXIT SIGNS DO NOT EXCEED 5 WATTS PER SIDE.
- 505.5- INTERIOR LIGHTING POWER REQUIREMENTS (PRESCRIPTIVE) (NON-EXEMPT)**
- 505.5.1 - TOTAL CONNECTED INTERIOR LIGHTING POWER:
2,439 WATTS SPECIFIED
73 % REDUCTION OF SPECIFIED VS. ALLOWED
- 505.5.2 - TOTAL ALLOWED INTERIOR LIGHTING POWER: 12000
 METHOD OF COMPLIANCE:
 BUILDING AREA METHOD SPACE-BY-SPACE METHOD
9,109 WATTS ALLOWED
- 505.6.1 - EXTERIOR BUILDING GROUNDS LIGHTING:**
X LAMPS OPERATING AT GREATER THAN 100 WATTS FOR EXTERIOR BUILDING GROUNDS LUMINARIES HAVE A MINIMUM EFFICIENCY OF 60 LUMENS PER WATT.
- 505.6.2 - EXTERIOR BUILDING LIGHTING POWER (NON-EXEMPT) N**
 505.6.2 - TOTAL CONNECTED EXTERIOR LIGHTING POWER:
420 WATTS SPECIFIED
 505.6.2 - TOTAL ALLOWED EXTERIOR LIGHTING POWER:
480 WATTS ALLOWED
- 505.6.3 - SHIELDING OF EXTERIOR BUILDING LIGHTING FIXTURES:**
X ONLY FULLY SHIELDED EXTERIOR BUILDING LIGHTING FIXTURES ARE PROVIDED, EXCEPT WHERE EXEMPTED.
- X** ALTERNATIVE EXTERIOR BUILDING LIGHTING FIXTURES ARE PROVIDED FOR GREATER ENERGY EFFICIENCY OVER FULLY SHIELDED EXTERIOR BUILDING LIGHTING FIXTURES.
- 505.7 - ELECTRICAL ENERGY CONSUMPTION (DWELLING UNITS):**
X SEPARATE TENANT METERING TO DETERMINE ELECTRICAL ENERGY CONSUMPTION HAS BEEN PROVIDED FOR BUILDINGS HAVING INDIVIDUAL DWELLING UNITS.
- SIGNED: _____
 NAME: _____
 TITLE: _____

LUMINAIRE SCHEDULE

CALLOUT	SYMBOL	LAMP	DESCRIPTION	BALLAST	MOUNTING	MODEL	INPUT WATTS	VOLTS
C		(2) 32W T8	LOW PROFILE WRAPAROUND, 10" X 48", WITH TWO LAMPS AND PRISMATIC LENS	ELECTRONIC	SURFACE	LITHONIA LB 2 32 MVOLT GEB10IS	56	120V 1P 2W
EMER		(2) 1.5W LED	EMER. LIGHT W/1.5 HR NI-CAD BATTERY	ELECTRONIC	WALL/CEILING	LITHONIA ELM2-LED	3	120V 1P 2W
EMER/EXIT		(2) 1.5W LED	COMBINATION EXIT/EMERGENCY UNIT WITH SEALED BEAM DUAL REMOTE HEADS	ELECTRONIC	WALL/CEILING	LITHONIA LHQM S W 1 R 120/277 ELA NX H0606	3	120V 1P 2W
EXIT		(1) 2W LED	EXIT LIGHT WITH TEST SWITCH, STATUS INDICATOR AND RECHARGEABLE BATTERY	ELECTRONIC	WALL/CEILING	LITHONIA EXG LED M6	2	120V 1P 2W
G		(1)	WALL BRACKET FIXTURE		WALL	PROGRESS P5862-31 OR EQ.	60	120V 1P 2W
H		(1)	6" RECESSED LED FIXTURE	ELECTRONIC	RECESSED		17	120V 1P 2W
M		(1)	WALL SCONE	ELECTRONIC	WALL	PER OWNER (12W MAX.)	12	120V 1P 2W



Coastal Plains Engineering, P.A.
License No. C-5069

528 FAYETTEVILLE RD
P.O. Box 1117
Pembroke, NC 28572
Voice: 910-281-7213
www.coastalplainseng.com

Full Gospel Tabernacle Headquarters

Drawing Name:

Project Name:
A New Building for
Full Gospel
Tabernacle Headquarters

Project Location:
Hwy 55/Ashe Rd INT
Coats
North Carolina

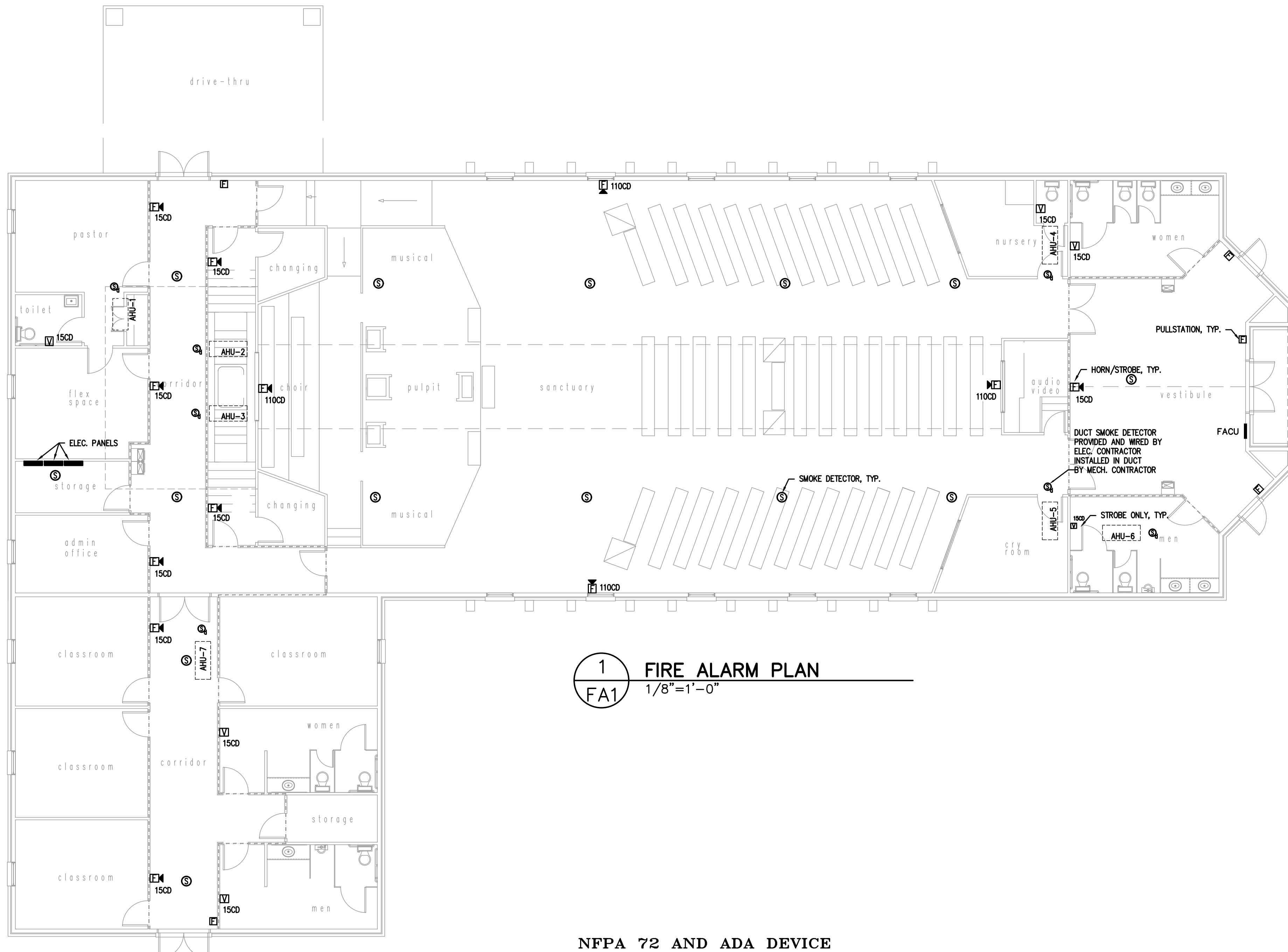
DRAWINGS AND THE DESIGN ARE THE PROPERTY OF THE ARCHITECT. WHETHER THE PROJECT FOR WHICH THEY ARE PREPARED IS EXECUTED OR NOT, THE DRAWINGS SHALL NOT BE USED BY THE PROJECT OWNER OR ANYONE ELSE FOR ANY OTHER PROJECT.

ADA AND LEGAL DISCLAIMER
THIS DOCUMENT IS INTENDED TO COMPLY WITH THE REQUIREMENTS OF THE AMERICANS WITH DISABILITIES ACT (ADA). ARCHITECTS AND ENGINEERS ARE NOT LICENSED TO INTERPRET LAWS OR GIVE ADVICE CONCERNING LAWS OF LEGAL MATTERS. THE OWNER SHOULD HAVE THIS DOCUMENT REVIEWED BY HIS ATTORNEY TO DETERMINE IF IT COMPLES TO ADA AND OTHER LAWS.

PROJECT NO: 18-040
DRAWN BY: RCE
DATE: 06.18.18
REVISIONS:

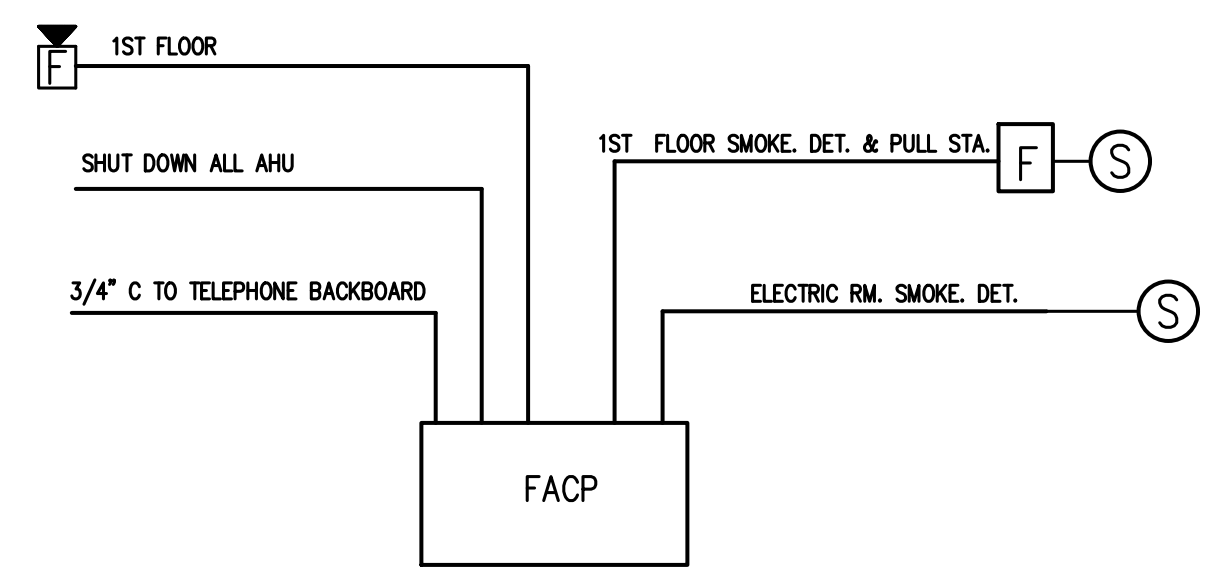
SHEET NO:

FA1



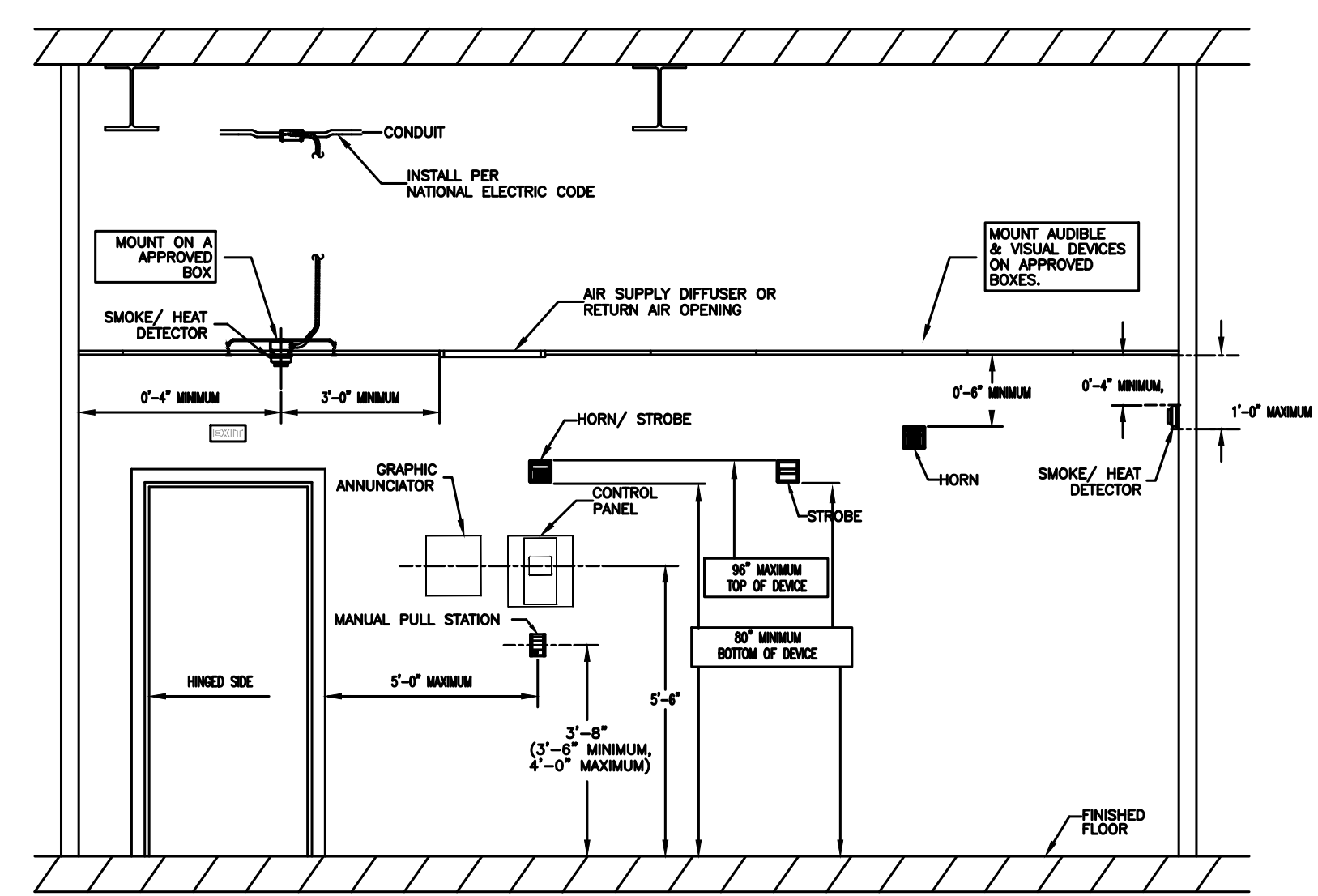
FIRE ALARM SYMBOLS LEGEND	
SYMBOL	DESCRIPTION
[FACP]	FIRE ALARM CONTROL PANEL
[AV 15]	AUDIO VISUAL - 15 CANDELA
[AV 30]	AUDIO VISUAL - 30 CANDELA
[V]	VISUAL ONLY
[MPS]	MANUAL PULL STATION
[SD]	SMOKE DETECTOR

1 FIRE ALARM PLAN
1/8"=1'-0"



2 FIRE ALARM PLAN
3/16"=1'-0"

NFPA 72 AND ADA DEVICE INSTALLATION REQUIREMENTS

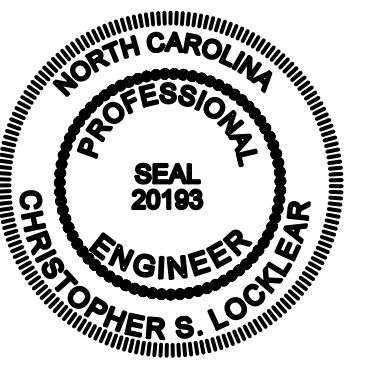


3 FIRE ALARM DEVICE MOUNTING HEIGHT
3/16"=1'-0"

FIRE ALARM SYSTEM INPUT/OUTPUT MATRIX	SYSTEM OUTPUTS																			
	FACP ANNUNCIATION	NOTIFICATION	REQUIRED FIRE SAFETY CONTROL																	
1 FIRE ALARM SYSTEM AC POWER FAILURE																				
2 FIRE ALARM SYSTEM LOW BATTERY																				
3 OPEN CIRCUIT																				
4 GROUND FAULT																				
5 NOTIFICATION APPLIANCE CIRCUIT SHORT																				
6 BUILDING MANUAL PULL STATIONS																				
7 AREA SMOKE DETECTORS																				
8																				
9																				
10																				
11																				
12																				
13																				

4 FIRE ALARM MATRIX
3/16"=1'-0"

07-09-18



Coastal Plains Engineering, P.A.
License No. C-3060

558 FAYETTEVILLE RD
P.O. Box 1117
Fayetteville, NC 28302
Voice: 910-521-7213
www.coastalplainseng.com

Full Gospel Tabernacle Headquarters

Drawing Name:

Project Name:
A New Building for
Full Gospel
Tabernacle Headquarters

Project Location:

Hwy 55/Ashe Rd INT
Coats
North Carolina

DRAWINGS AND THE DESIGN ARE THE PROPERTY OF THE ARCHITECT
WHETHER THE PROJECT FOR WHICH THEY ARE PREPARED IS
EXECUTED OR NOT. THE DRAWINGS SHALL NOT BE USED BY THE
PROJECT OWNER OR ANYONE ELSE FOR ANY OTHER PROJECT.

AGA AND LEGAL DISCLAIMER
THIS DOCUMENT IS INTENDED TO COMPLY WITH THE
REQUIREMENTS OF THE AMERICAN WITH DISABILITIES ACT (ADA).
ARCHITECTS AND ENGINEERS ARE NOT LICENSED TO INTERPRET
LAW OR GIVE ADVICE CONCERNING LANE OF LEGAL MATTERS.
THE OWNER SHOULD HAVE THIS DOCUMENT REVIEWED BY HIS
ATTORNEY TO DETERMINE IF IT COMPLES TO ADA AND OTHER LAWS.

PROJECT NO:	18-040	SHEET NO:	M1
DRAWN BY:	RCE		
DATE:	06.18.18		
REVISION:			

HEAT PUMP UNIT SCHEDULE

UNIT NO.	OUTDOOR UNIT							CAPACITIES			MFG & MODEL	REMARKS		
	COMPRESSOR AMPS	NO. OF COMPR.	FAN AMPS	NO. OF FANS	UNIT VOLT	UNIT PHASE	MOCP	MCA	WIRE SIZE (DU. 75 C)	TOTAL COOLING			MIN. SEER	HEATING
HP-1	9.4	1	0.7	1	208	1	20	12	10	23,400	13.00	22,400	TRANE 4TWB3024A1	2 TON HEAT PUMP UNIT
HP-2	18.1	1	1.3	1	208	3	40	24	8	57,000	13.00	58,000	TRANE 4TWA3080A3	5 TON HEAT PUMP UNIT
HP-3	18.1	1	1.3	1	208	3	40	24	8	57,000	13.00	58,000	TRANE 4TWA3080A3	5 TON HEAT PUMP UNIT
HP-4	18.1	1	1.3	1	208	3	40	24	8	57,000	13.00	58,000	TRANE 4TWA3080A3	5 TON HEAT PUMP UNIT
HP-5	18.1	1	1.3	1	208	3	40	24	8	57,000	13.00	58,000	TRANE 4TWA3080A3	5 TON HEAT PUMP UNIT
HP-6	7.9	1	0.7	1	208	3	15	11	10	30,200	13.00	28,600	TRANE 4TWA3030A3	2.5 TON HEAT PUMP UNIT
HP-7	16.0	1	1.3	1	208	3	35	21	8	48,000	13.00	46,500	TRANE 4TWA3048A3	4 TON HEAT PUMP UNIT

AIR HANDLING UNIT SCHEDULE

UNIT NO.	CFM	OA CFM	ESP IN WG	FAN MOTOR			FLA	MCA	MOCP	MFG. & MODEL	REMARKS	
				HP	VOLTS	PHASE						CYCLE
AHU-1	800	103	0.50"	1/3	208	1	60	2.8	38	40	TRANE GAMSAD024	2 TON AIR HANDLER W/ 5.76 KW STRIPS
AHU-2	2000	452	0.50"	1	208	3	60	7.6	34	35	TRANE GAMSAD060	5 TON AIR HANDLER W/ 7.20 KW STRIPS
AHU-3	2000	452	0.50"	1	208	3	60	7.6	34	35	TRANE GAMSAD060	5 TON AIR HANDLER W/ 7.20 KW STRIPS
AHU-4	2000	452	0.50"	1	208	3	60	7.6	34	35	TRANE GAMSAD060	5 TON AIR HANDLER W/ 7.20 KW STRIPS
AHU-5	2000	452	0.50"	1	208	3	60	7.6	34	35	TRANE GAMSAD060	5 TON AIR HANDLER W/ 7.20 KW STRIPS
AHU-6	1000	66	0.45"	1/3	208	1	60	2.8	38	40	TRANE GAMSAD030	2.5 TON AIR HANDLER W/ 5.76 KW STRIPS
AHU-7	1600	431	0.50"	3/4	208	3	60	6.0	32	35	TRANE GAMSAD048	4 TON AIR HANDLER W/ 7.20 KW STRIPS

FAN SCHEDULE

MARK ON PLANS	LOCATION	SERVICE	CFM	S.P.	WATTS	RPM	VOLT	PHASE	DRIVE	REMARKS
EF1	CEILING	TOILETS	80	0.1"	60	1690	120	1	DIRECT	BROAN #684 OR EQ. 4" FLEX TO ROOF/WALL CAP
EF2,3	CEILING	TOILETS	245	0.1"	166	-	120	1	DIRECT	BROAN #250L OR EQ. 8" FLEX TO ROOF/WALL CAP
EF4	CEILING	TOILETS	80	0.1"	120	-	120	1	DIRECT	BROAN #QTB080FLT OR EQ. 4" FLEX TO ROOF/WALL CAP
EF5,6	CEILING	TOILETS	157	0.1"	100	-	120	1	DIRECT	BROAN #150 OR EQ. 6" FLEX TO ROOF/WALL CAP

GYP. BOARD DIFFUSER/RETURN SCHEDULE

MARK ON PLANS	CFM	AIR PATTERN	NECK SIZE	RUNOUT SIZE	REMARKS
(A)	50-125	SINGLE DEFLECTION	6 X 6	6"	PRICE SERIES 610 OFF WHITE, ALUM.
(B)	150-275	SINGLE DEFLECTION	8 X 8	8"	PRICE SERIES 610 OFF WHITE, ALUM.
(C)	300-400	SINGLE DEFLECTION	10 X 10	10"	PRICE SERIES 610 OFF WHITE, ALUM.
(D)		N/A	8 X 8	SEE PLAN	PRICE SERIES 630 OFF WHITE, ALUM., RETURN
(E)		N/A	12 X 12	SEE PLAN	PRICE SERIES 630 OFF WHITE, ALUM., RETURN
(G)		N/A	20 X 20	SEE PLAN	PRICE SERIES 630 OFF WHITE, ALUM., RETURN

ALL WORK SHALL BE IN ACCORDANCE WITH THE 2012 NC MECHANICAL CODE.

ALL DUCTWORK SHALL BE CONSTRUCTED OF GALVANIZED SHEET METAL IN ACCORDANCE WITH ASHRAE & SMACNA. DUCT SIZES SHOWN ARE NET FREE AREA REQUIRED. ALL SUPPLY AND RETURN DUCTS AND FLEX SHALL BE INSULATED WITH MIN. R-8.0 INSULATION UNLESS OTHERWISE NOTED IN THE DRAWING.

ALL DUCTS SHALL BE AIR TIGHT, RIGID AND FREE FROM VIBRATION AND NOISE. ALL LAP JOINTS SHALL BE IN THE DIRECTION OF FLOW. VOLUME OR SPLITTER DAMPERS SHALL BE INSTALLED WHERE NECESSARY TO GUIDE AND CONTROL THE AIR FLOW. PROVIDE SHEET METAL SLEEVES AND COLLARS WHERE DUCTS PASS THROUGH WALLS.

STRUCTURAL MEMBERS OF THE BUILDING SHALL NOT BE CUT IN ANY MANNER FOR THE INSTALLATION OF ANY EQUIPMENT UNLESS PRIOR APPROVAL IS OBTAINED FROM THE ARCHITECT.

MECHANICAL CONTRACTOR TO CONFIRM BREAKER/DISCONNECT SIZES OF HIS EQUIPMENT WITH THE ELECTRICAL CONTRACTOR.

FURNISH AND INSTALL A DUCT MOUNTED SMOKE DETECTOR IN THE RETURN DUCT OF THE A/C UNIT IN ACCORDANCE WITH 2012 NC MECHANICAL CODE. THE DETECTOR SHALL BE WIRED TO SHUT DOWN THE FAN IN THE EVENT THE DETECTOR IS ACTIVATED. THE MECHANICAL CONTRACTOR SHALL FURNISH AND INSTALL THE DUCT DETECTOR AND RUN THE NECESSARY CONTROL WIRING FROM THE DETECTOR TO HIS EQUIPMENT. SMOKE DETECTORS ARE ONLY REQUIRED FOR UNITS SUPPLYING 2000 CFM OR MORE.

MECHANICAL CONTRACTOR SHALL PROVIDE A TEST AND BALANCE REPORT. SYSTEM COMPLIANCE STATEMENT REQUIRES A WRITTEN T&B REPORT. FINAL PROJECT SIGNOFF WILL BE DENIED WITHOUT THIS REPORT.

MECHANICAL CONTRACTOR IS RESPONSIBLE FOR COORDINATING THE LOCATIONS AND ROUTING OF ALL DUCTWORK WITH OTHER TRADES TO AVOID CONFLICTS.

ALL EQUIPMENT MATERIALS AND WORKMANSHIP SHALL BE GUARANTEED TO BE FREE OF DEFECTS FOR A PERIOD OF ONE YEAR AFTER FINAL ACCEPTANCE OF THE WORK OR IN ACCORDANCE WITH THE PARTICULAR MANUFACTURER'S STANDARD GUARANTEE IF LONGER. ANY FAULTY MATERIAL OR WORKMANSHIP OR FAILURE OF ANY PART OF THE SYSTEM DURING NORMAL OPERATIONS UNDER THIS GUARANTEE SHALL BE CORRECTED WITHOUT COST TO THE OWNER.

ALL THERMOSTATS SHALL BE OF A PROGRAMMABLE TYPE.

BUILDING CONTRACTOR SHALL PROVIDE PERMANENT ACCESS TO ROOF STRUCTURE FOR ACCESS TO MECHANICAL EQUIPMENT WHEN ROOF STRUCTURE IS GREATER THAN 16'-0" HIGH.

3 HVAC NOTES M1 N.T.S.

2012 North Carolina Energy Conservation Code

Commercial Energy Efficiency - Mechanical Summary

THIS SECTION REQUIRED FOR ALL PROJECTS THAT INCLUDE MECHANICAL DESIGN

501.1 METHOD OF COMPLIANCE NC SPECIFIC COMCHECK PROVIDED

2012 NCECC CHAPTER 5 20% IMPROVEMENT OVER ASHRAE 90.1.-2007

501.2 APPLICATION COMPLIANCE

506.2.1 EFFICIENCY MECH EQUIPMENT 506.2.4 HI EFFICIENCY DOMESTIC HW

506.2.2 REDUCED LTG DENSITY 506.2.5 ONSITE RENEWABLE ENERGY

506.2.3 ENERGY RECOVERY SYSTEMS 506.2.6 DAYLIGHTING CONTROLS

301.1 CLIMATE ZONE

4A HARNETT COUNTY, NORTH CAROLINA

DESIGN CONDITIONS

EXTERIOR (ASHRAE 90.1 - 2007 TABLE D - 1)

winter dry bulb 18° F.

summer dry bulb 91° F.

summer wet bulb 74° F.

INTERIOR (2012 NCECC SECTION 302.1)

winter dry bulb 72° F.

summer dry bulb 75° F.

503.2 HEATING & COOLING LOADS AND EQUIPMENT & SYSTEM SIZING

BUILDING HEATING LOAD IN BTUHs: 234,106 BTUH

BUILDING COOLING LOAD IN BTUHs: 231,011 BTUH

INSTALLED HEATING CAPACITY IN BTUHs: 329,500 BTUH

INSTALLED COOLING CAPACITY: 329,600 BTUH

503.2.3 HVAC EQUIPMENT REQUIREMENTS

SYSTEM DESCRIPTION: SPLIT SYSTEM HEAT PUMPS

COOLING EQUIPMENT EFFICIENCY COMPLIANCE Per Tables 503.2.3 (1 - 7):

SYSTEM # 1-7 TYPE: AHU

EQUIP TYPE SIZE CATEGORY MINIMUM EFF. INSTALLED

AHU <60,000 BTU 13.0 SEER 13.0 SEER

HEATING EQUIPMENT EFFICIENCY COMPLIANCE Per Tables 503.2.3 (1 - 7):

SYSTEM 1-7 - TITLE: HP

EQUIP TYPE SIZE CATEGORY MINIMUM EFF. INSTALLED

HP <60,000 BTU 7.70 HSPF 8.0

E_c = COMBUSTION EFFICIENCY

E_t = THERMAL EFFICIENCY

503.2.4 THROUGH 503.2.9

HVAC SYSTEMS ARE FULLY COMPLIANT WITH THE REQUIREMENTS FOR HVAC

SYSTEM CONTROL, VENTILATION, ENERGY RECOVERY, DUCT AND PLENUM INSULATION AND SEALING, PIPING INSULATION, AND SYSTEM COMPLETION.

503.2.10 - AIR SYSTEM DESIGN AND CONTROL

AIR FANS INSTALLED ON THE PROJECT ARE BELOW 5 HP AND ARE EXEMPT FROM THESE REQUIREMENTS.

503.3 - SIMPLE HVAC SYSTEMS AND EQUIPMENT (PRESCRIPTIVE)

PROJECT CONSISTS OF ONLY DX SINGLE ZONE SYSTEMS FULLY COMPLIANT WITH THE SIMPLE PRESCRIPTIVE REQUIREMENTS OF 503.3.

503.4 - COMPLEX HVAC SYSTEMS AND EQUIPMENT (PRESCRIPTIVE)

N/A SIMPLEX HVAC SYSTEMS

PROJECT CONSISTS OF HVAC SYSTEMS FULLY COMPLIANT WITH THE COMPLEX PRESCRIPTIVE REQUIREMENTS OF 503.4.

506.2.1 - EFFICIENT MECHANICAL EQUIPMENT

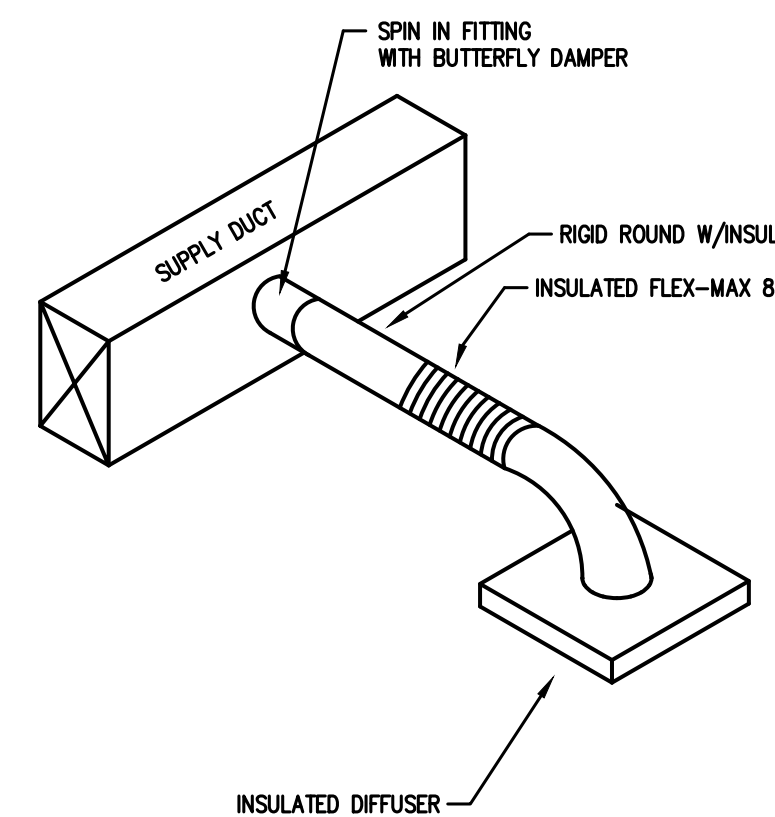
INSTALLED COOLING EFFICIENCY MEETS APPLICATION REQUIREMENTS OF 506.2.1

SIGNED:

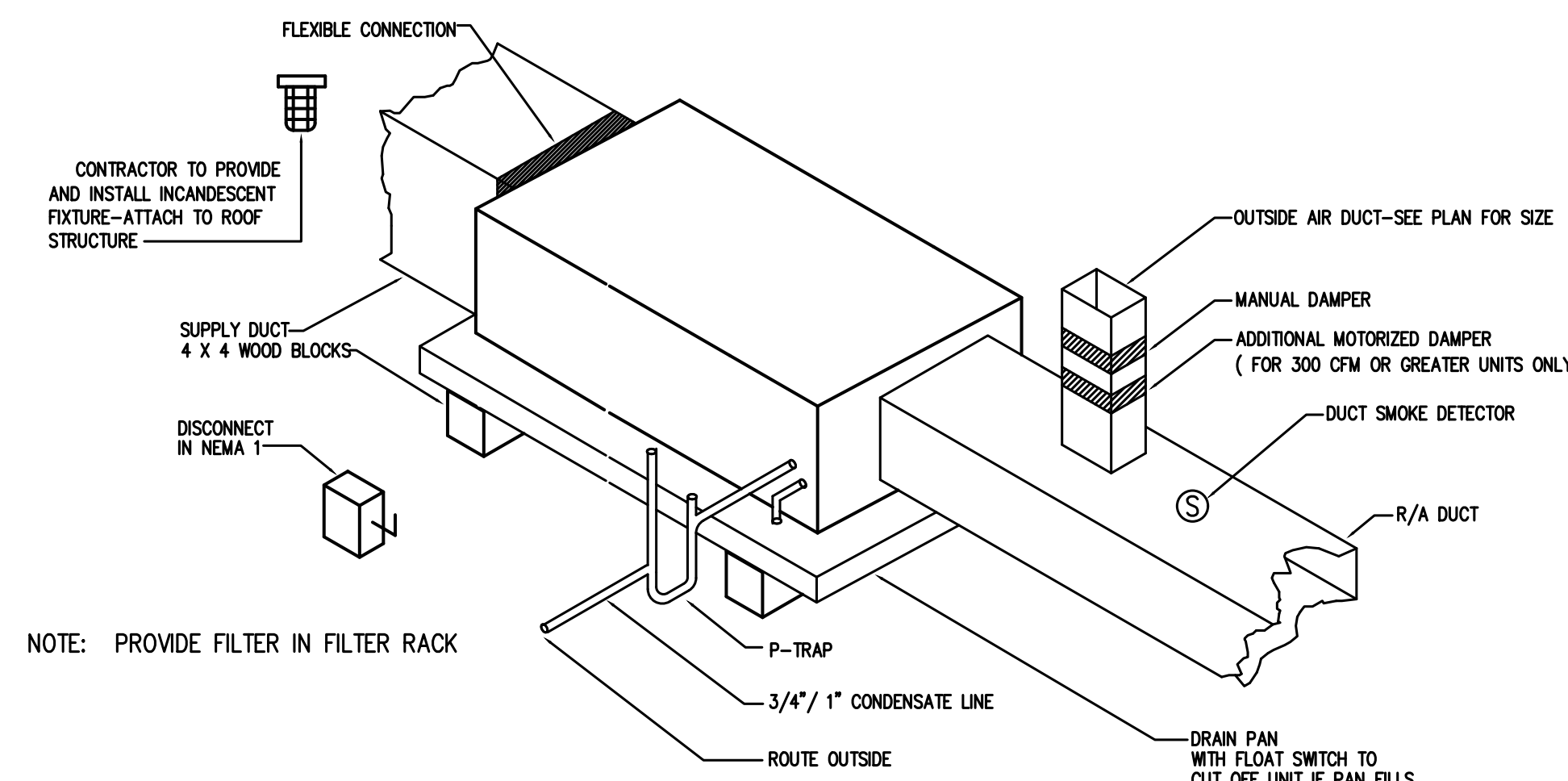
NAME: Chris S. Locklear

TITLE: Engineer

OUTSIDE AIR CALCULATION -2012 NC MECHANICAL CODE (TABLE 403.3) Vbz = RpPz + RaAz							
AHU	OCCUPANCY TYPE:	SF (Az)	# OF OCCUPANTS (Pz)	O.A. CFM PER PERSON (Rp)	O.A. CFM PER SqFt (Ra)	O.A. CFM REQUIRED (Vbz)	EXHAUST CFM REQUIRED
AHU-1	PASTOR STUDY	225	2	5	0.06	25.5	70
	PASTOR TOILET	53					
	FLEX SPACE	204	1	5	0.06	17.24	
	STORAGE	30				9.6	
	ADMIN. OFFICE	140	1	5	0.06	19.4	
	CORRIDOR	356				21.36	
	CHANGING ROOM 1	59	1	5	0.06	8.54	
CHANGING ROOM 2	67	1	5	0.06	9.02		
TOTAL CFM REQUIRED					102.66	70	
TOTAL CFM FURNISHED					102.66	70	
AHU-2,3,4,5	SANCTUARY	4115	281	5	0.06	1651.9	70
	NURSERY TOILET	53					
	NURSERY	133	4	10	0.18	63.94	
	CRY ROOM	154	6	10	0.12	78.48	
	A/V ENG.	82	1	5	0.06	9.92	
	TOTAL CFM REQUIRED					1854.24	70
	TOTAL CFM FURNISHED					1854.24	70
AHU-6	LADIES TOILET	185					210
	MENS TOILET	187					210
	VESTIBULE	586	6	5	0.06	65.16	
	TOTAL CFM REQUIRED					65.16	420
TOTAL CFM FURNISHED					65.16	420	
AHU-7	CLASSROOM	204	7	10	0.12	94.48	
	CLASSROOM	204	7	10	0.12	94.48	
	CLASSROOM	204	7	10	0.12	94.48	
	CORRIDOR	361				0	140
	MENS TOILET	187					
	STORAGE	60				0.12	7.2
	WOMENS TOILET	187					140
	CLASSROOM	243	9	10	0.12	119.16	
	TOTAL CFM REQUIRED					411.40	280
	TOTAL CFM FURNISHED					411.40	280



1 DIFFUSER TAKE-OFF DETAIL
M1 N.T.S.



2 AIR HANDLER DETAIL
M1 N.T.S.

NOTE: PROVIDE FILTER IN FILTER RACK

DRAIN PAN WITH FLOAT SWITCH TO CUT OFF UNIT IF PAN FILLS

ROUTE OUTSIDE

07-09-18



Coastal Plains Engineering, P.A.
License No. C-3060

258 FAYETTEVILLE RD
P.O. Box 1117
Pembroke, NC 28572
Voice: 910-521-7213
www.coastalplainseng.com

Full Gospel Tabernacle Headquarters

Drawing Name:

Project Name:
A New Building for
Full Gospel
Tabernacle Headquarters

Project Location:
Hwy 55/Ashe Rd INT
Coats
North Carolina

DRAWINGS AND THE DESIGN ARE THE PROPERTY OF THE ARCHITECT. WHETHER THE PROJECT FOR WHICH THEY ARE PREPARED IS EXECUTED OR NOT, THE DRAWINGS SHALL NOT BE USED BY THE PROJECT OWNER OR ANYONE ELSE FOR ANY OTHER PROJECT.

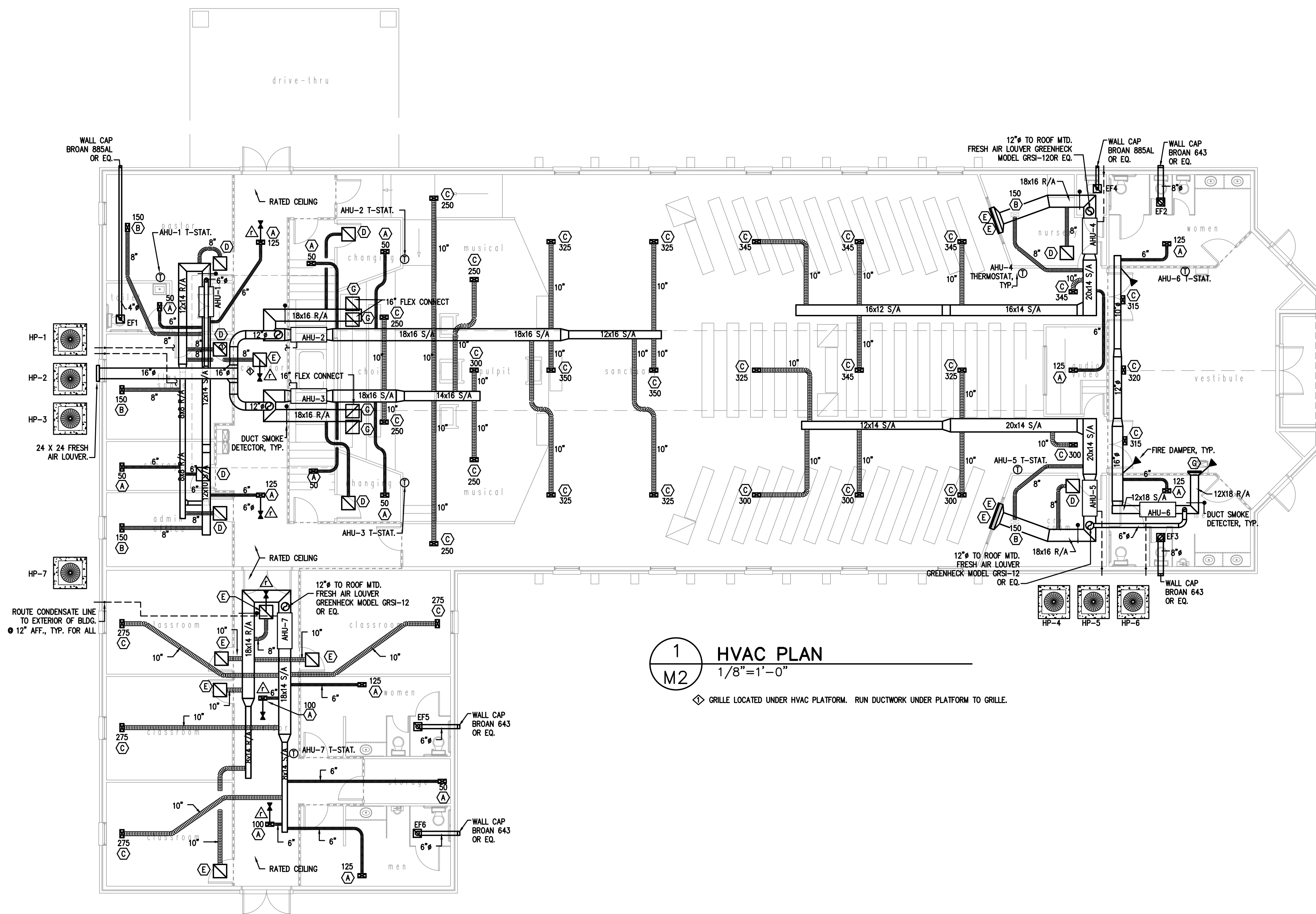
ADA AND LEGAL DISCLAIMER
THIS DOCUMENT IS INTENDED TO COMPLY WITH THE REQUIREMENTS OF THE AMERICANS WITH DISABILITIES ACT (ADA). ARCHITECTS AND ENGINEERS ARE NOT LICENSED TO INTERPRET LAWS OR GIVE ADVICE CONCERNING LAWS OF LEGAL MATTERS. THE OWNER SHOULD HAVE THIS DOCUMENT REVIEWED BY HIS ATTORNEY TO DETERMINE IF IT COMPLES TO ADA AND OTHER LAWS.

PROJECT NO: 18-040
DRAWN BY: RCE
DATE: 06.18.18
REVISION:

SHEET NO:

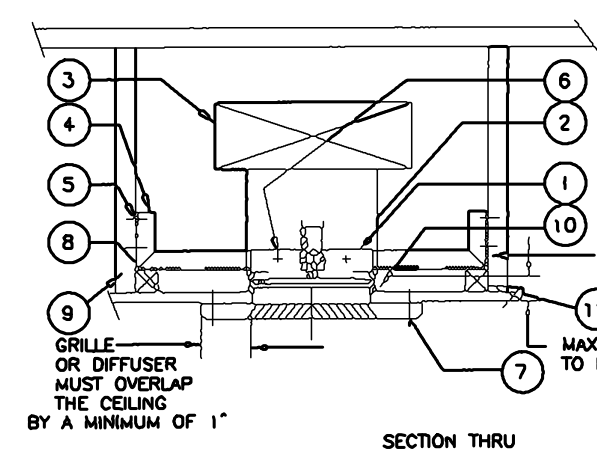
M2

MECHANICAL LEGEND	
SYMBOL	DESCRIPTION
	RECTANGULAR CEILING MOUNTED S/A DIFFUSER
	RECTANGULAR CEILING MOUNTED R/A OR EXHAUST GRILLE
	RUNOUT TO DIFFUSER W/VOLUME DAMPER AND CONE EXTRACTOR
	90 DEG. ELBOW W/ TURNING VANES
	CONDENSATE DRAIN PIPING
	REFRIGERANT PIPING
	HEATING AND COOLING THERMOSTAT MOUNT 5'-0" A.F.F. AUTOMATIC CHANGEOVER.
	SYSTEM EMERGENCY SHUT-OFF SWITCH (RED LABELED)
	DUCT SMOKE DETECTOR - FURNISHED BY M.C., INSTALLED BY M.C., WIRED BY M.C.
	S/A SUPPLY AIR
	R/A RETURN AIR
	O/A OUTSIDE AIR
	S/D SPLITTER DAMPER
	M.D. MANUAL DAMPER WITH LOCKING QUADRANTS
	B.D.D. BACKDRAFT DAMPER
	A.F.F. ABOVE FINISHED FLOOR
	P.C. PLUMBING CONTRACTOR
	M.C. MECHANICAL CONTRACTOR
	E.C. ELECTRICAL CONTRACTOR
	CEILING FIRE/RADIATION DAMPER
	VERTICAL FIRE DAMPER

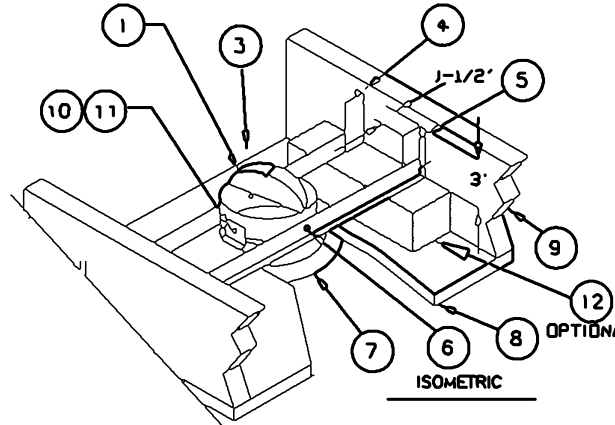


1 HVAC PLAN
1/8"=1'-0"

◇ GRILLE LOCATED UNDER HVAC PLATFORM. RUN DUCTWORK UNDER PLATFORM TO GRILLE.



1. LLOYD INDUSTRIES INC OR EQUAL MODEL 55 CRO (P/ROUN) CEILING RADIATION DAMP
2. STEEL DUCT DROP (LESS #3 PLENUM PERMITTED)
3. BRANCH PLENUM OR PLENUM BOOT
4. HANGER ANGLES (2) 1-1/2 X 1-1/2 X 16 GAUGE
5. #6 COMMON NAILS OR #8 X 1-1/4" SCREWS
6. MOUNTING FASTENERS (BOLTS, SCREWS, RIVETS, WELDS)
7. STEEL GRILLE, DIFFUSER OR DROP DUCTING
8. CEILING: GYPSUM WALLBOARD
9. ACUSTICAL TILE, OR ACUSTICAL PANEL, (LAY-IN)
10. JOISTS TRUSSES, BEAMS
11. STABILIZING ANGLES (2) 1/2 X 1-1/2 X 16 GA X 3
12. MOUNTING FASTENERS (BOLTS, SCREWS, RIVETS)



2 RADIATION DAMPER DETAIL
N.T.S.

ALL WORK SHALL BE IN ACCORDANCE WITH THE 2012 NC MECHANICAL CODE.

ALL DUCTWORK SHALL BE CONSTRUCTED OF GALVANIZED SHEET METAL IN ACCORDANCE WITH ASHRAE & SMACNA. DUCT SIZES SHOWN ARE NET FREE AREA REQUIRED. ALL SUPPLY AND RETURN DUCTS AND FLEX SHALL BE INSULATED WITH MIN. R-8.0 INSULATION UNLESS OTHERWISE NOTED IN THE DRAWING.

ALL DUCTS SHALL BE AIR TIGHT, RIGID AND FREE FROM VIBRATION AND NOISE. ALL LAP JOINTS SHALL BE IN THE DIRECTION OF FLOW. VOLUME OR SPLITTER DAMPERS SHALL BE INSTALLED WHERE NECESSARY TO GUIDE AND CONTROL THE AIR FLOW. PROVIDE SHEET METAL SLEEVES AND COLLARS WHERE DUCTS PASS THROUGH WALLS.

STRUCTURAL MEMBERS OF THE BUILDING SHALL NOT BE CUT IN ANY MANNER FOR THE INSTALLATION OF ANY EQUIPMENT UNLESS PRIOR APPROVAL IS OBTAINED FROM THE ARCHITECT.

MECHANICAL CONTRACTOR TO CONFIRM BREAKER/DISCONNECT SIZES OF HIS EQUIPMENT WITH THE ELECTRICAL CONTRACTOR.

FURNISH AND INSTALL A DUCT MOUNTED SMOKE DETECTOR IN THE RETURN DUCT OF THE A/C UNIT IN ACCORDANCE WITH 2012 NC MECHANICAL CODE. THE DETECTOR SHALL BE WIRED TO SHUT DOWN THE FAN IN THE EVENT THE DETECTOR IS ACTIVATED. THE MECHANICAL CONTRACTOR SHALL FURNISH AND INSTALL THE DUCT DETECTOR AND RUN THE NECESSARY CONTROL WIRING FROM THE DETECTOR TO HIS EQUIPMENT. SMOKE DETECTORS ARE ONLY REQUIRED FOR UNITS SUPPLYING 2000 CFM OR MORE.

MECHANICAL CONTRACTOR SHALL PROVIDE A TEST AND BALANCE REPORT SYSTEM COMPLIANCE STATEMENT REQUIRES A WRITTEN T&B REPORT. FINAL PROJECT SIGNOFF WILL BE DENIED WITHOUT THIS REPORT

MECHANICAL CONTRACTOR IS RESPONSIBLE FOR COORDINATING THE LOCATIONS AND ROUTING OF ALL DUCTWORK WITH OTHER TRADES TO AVOID CONFLICTS.

ALL EQUIPMENT MATERIALS AND WORKMANSHIP SHALL BE GUARANTEED TO BE FREE OF DEFECTS FOR A PERIOD OF ONE YEAR AFTER FINAL ACCEPTANCE OF THE WORK OR IN ACCORDANCE WITH THE PARTICULAR MANUFACTURER'S STANDARD GUARANTEE IF LONGER. ANY FAULTY MATERIAL OR WORKMANSHIP OR FAILURE OF ANY PART OF THE SYSTEM DURING NORMAL OPERATIONS UNDER THIS GUARANTEE SHALL BE CORRECTED WITHOUT COST TO THE OWNER.

ALL THERMOSTATS SHALL BE OF A PROGRAMMABLE TYPE.

BUILDING CONTRACTOR SHALL PROVIDE PERMANENT ACCESS TO ROOF STRUCTURE FOR ACCESS TO MECHANICAL EQUIPMENT WHEN ROOF STRUCTURE IS GREATER THAN 16'-0" HIGH.

3 HVAC NOTES
N.T.S.

**2012 North Carolina
Energy Conservation Code**
Commercial Energy Efficiency – Plumbing Summary

501.1 METHOD OF COMPLIANCE NC SPECIFIC COMCHECK PROVIDED
 2012 NCECC CHAPTER 5 901.-2007 20% IMPROVEMENT OVER ASHRAE

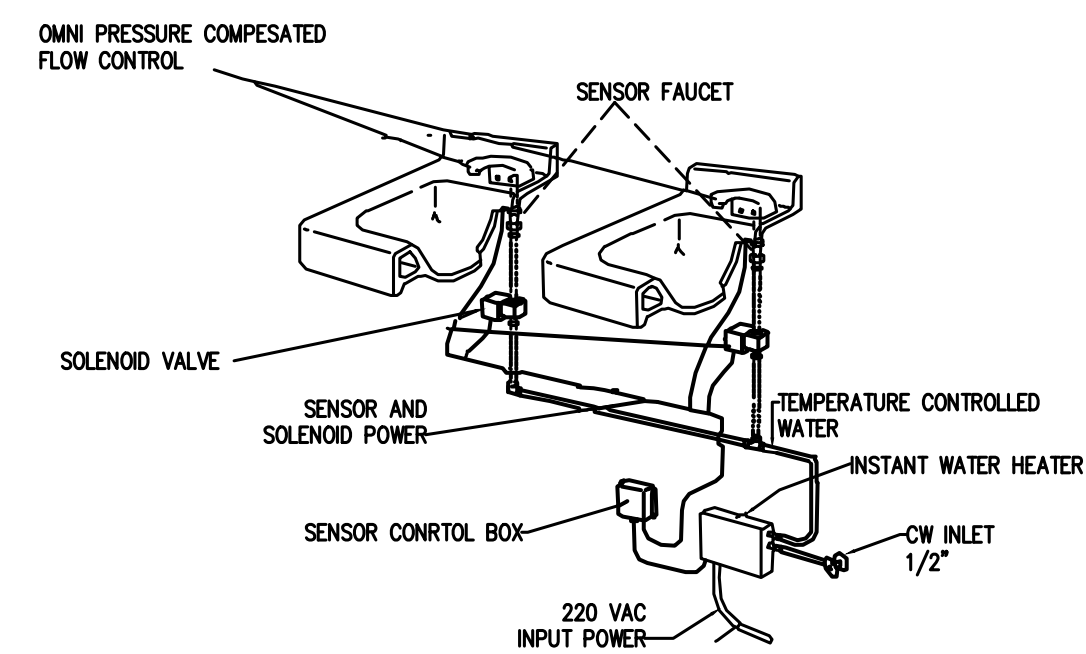
501.2 APPLICATION COMPLIANCE
 506.2.1 EFFICIENT MECH EQUIPMENT 506.2.4 HI EFFICIENCY DOMESTIC HW
 506.2.2 REDUCED LTG DENSITY ENERGY 506.2.5 ONSITE RENEWABLE ENERGY
 506.2.3 ENERGY RECOVERY SYSTEMS 506.2.6 DAYLIGHTING CONTROLS

504.2 SERVICE WATER-HEATING PERFORMANCE EFFICIENCY

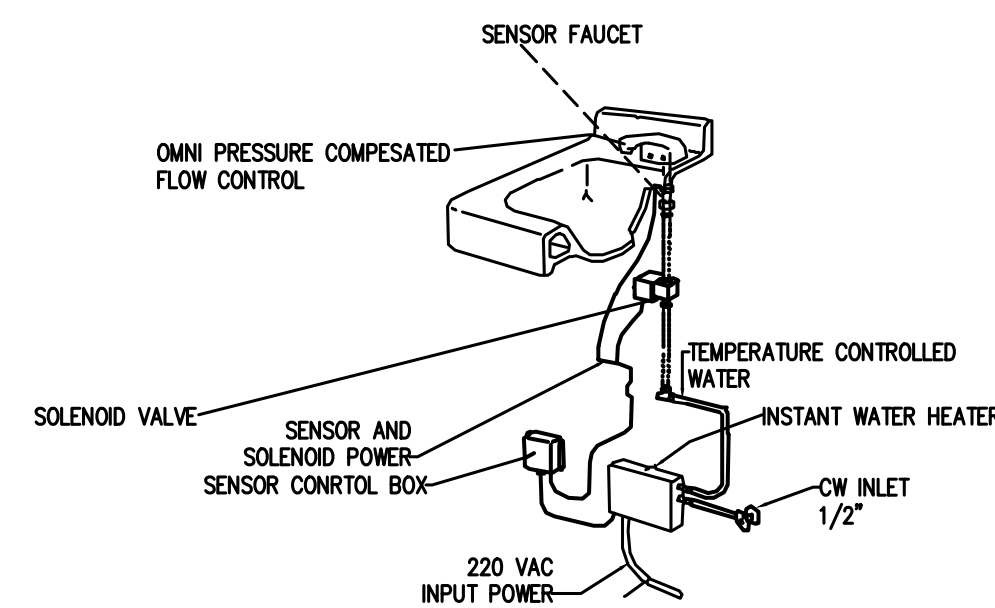
SYSTEM DESCRIPTION – TYPE 5- 4800W ELECTRIC INSTANT WATER-HEATER
 STORAGE WATER HEATERS: TYPE – TANKLESS
 WATER HEATER TOTAL INPUT PER TYPE ENERGY: 4800W
 STORAGE TOTAL: N/A
 RATED CONDITION (amount of BTUH/Gal): _____
 MINIMUM THERMAL EFF. REQUIRED: _____
 THERMAL EFF. OF SPECIFIED HEATER(S): 99%
 STANDBY LOSS: N/A

SIGNED: _____
 NAME: Chris S. Locklear
 TITLE: Engineer

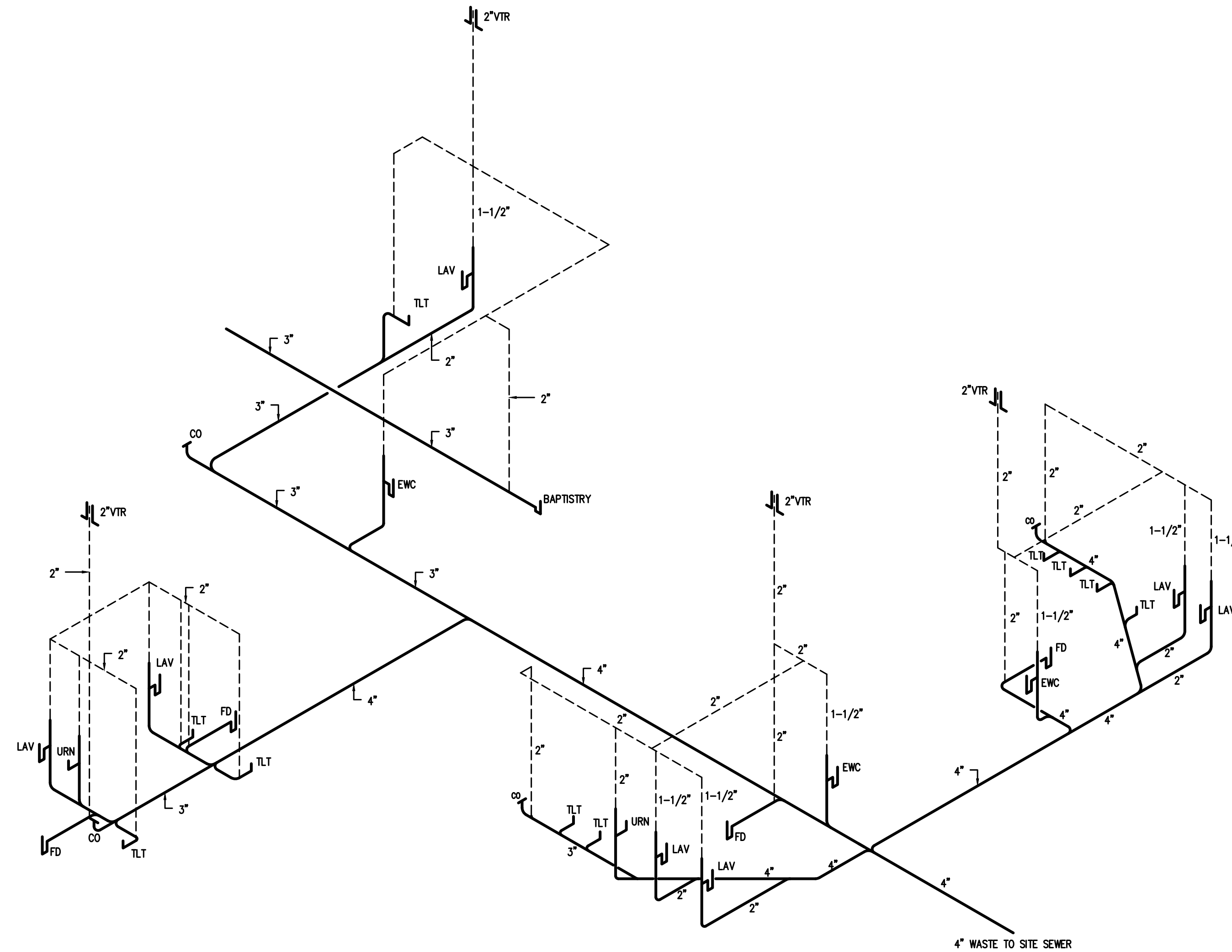
SYMBOL	MANUFACTURER	MODEL #	FIXTURE DESCRIPTION	ACCESSORIES	SUPPLY	WASTE	VENT	REMARKS
P-1	AMERICAN STD.	2898.012	WATER CLOSET (TANK), FLOOR-TYPE	CHURCH 380TL, TOILET SEAT	3/4" C.W.	3"	2"	
P-2	AMERICAN STD.	2998.012	WATER CLOSET (TANK), FLOOR-TYPE HANDICAPPED	CHURCH 380TL, TOILET SEAT	3/4" C.W.	3"	2"	
P-3	AMERICAN STD.	0490.011	OVAL LAVATORY, COUNTER TOP	AMERICAN STANDARD, 2385.400 FAUCET	1/2" H.W./C.W.	2"	1-1/2"	
P-4	AMERICAN STD.	0321.026	LAVATORY, WALL-TYPE	AMERICAN STANDARD, 2385.400 FAUCET	1/2" H.W./C.W.	2"	1-1/2"	
P-5	AMERICAN STD.	6541.132	URINAL, WALL-TYPE	SLOAN ROYAL 186-1, FLUSH VALVE	3/4" C.W.	2"	1-1/2"	
EWC-1	ELKAY	EZSTLR8C	ELECTRIC WATER COOLER (TWO STATION)	-	1/2" C.W.	2"	1-1/2"	
EWC-2,3	ELKAY		ELECTRIC WATER COOLER (SINGLE LOW STATION)	-	1/2" C.W.	2"	1-1/2"	
HB	WOODFORD		HOSE BIB, OUTDOOR FREEZEPROOF	-	1/2" C.W.	-	-	
WH1	EEMAX	EX48T	4.8KW ELEC. TANKLESS WATER HEATER	3/4" T & P RELIEF VALVE	3/4" H.W./C.W.	-	-	SEE PLAN FOR LOCATION



2
P1 INSTANT WATER HEATER MULTIPLE LAV DETAIL
N.T.S.



3
P1 INSTANT WATER HEATER MULTIPLE LAV DETAIL
N.T.S.



1
P1 WASTE RISER
N.T.S.



Coastal Plains Engineering, P.A.
 558 FAYETTEVILLE RD
 P.O. Box 1117
 Pembroke, NC 28572
 Phone: 910-821-7213
 www.coastalplainseng.com

Full Gospel
Tabernacle Headquarters

Drawing Name:
 Project Name:
 A New Building for
 Full Gospel
 Tabernacle Headquarters
 Project Location:
 Hwy 55/Ashe Rd INT
 Coats
 North Carolina

DRAWINGS AND THE DESIGN ARE THE PROPERTY OF THE ARCHITECT. WHETHER THE PROJECT FOR WHICH THEY ARE PREPARED IS EXECUTED OR NOT, THE DRAWINGS SHALL NOT BE USED BY THE PROJECT OWNER OR ANYONE ELSE FOR ANY OTHER PROJECT.

ADA AND LEGAL DISCLAIMER
 THIS DOCUMENT IS INTENDED TO COMPLY WITH THE REQUIREMENTS OF THE AMERICANS WITH DISABILITIES ACT (ADA). ARCHITECTS AND ENGINEERS ARE NOT LICENSED TO INTERPRET LAWS OR GIVE ADVICE CONCERNING LAWS OF LEGAL MATTERS. THE OWNER SHOULD HAVE THIS DOCUMENT REVIEWED BY HIS ATTORNEY TO DETERMINE IF IT COMPLES TO ADA AND OTHER LAWS.

PROJECT NO: 18-040	SHEET NO:
DRAWN BY: RCE	P1
DATE: 06.18.18	
REVISIONS:	

07-09-18



Coastal Plains Engineering, P.A.
License No. C-5069

258 FORTVALLEY RD
P.O. Box 1117
Pembroke, NC 28572
Phone: 910-281-7213
www.coastalplainseng.com

Full Gospel Tabernacle Headquarters

Drawing Name:

Project Name:
A New Building for
Full Gospel
Tabernacle Headquarters

Project Location:
Hwy 55/Ashe Rd INT
Coats
North Carolina

DRAWINGS AND THE DESIGN ARE THE PROPERTY OF THE ARCHITECT
WHETHER THE PROJECT FOR WHICH THEY ARE PREPARED IS
EXECUTED OR NOT. THE DRAWINGS SHALL NOT BE USED BY THE
PROJECT OWNER OR ANYONE ELSE FOR ANY OTHER PROJECT.

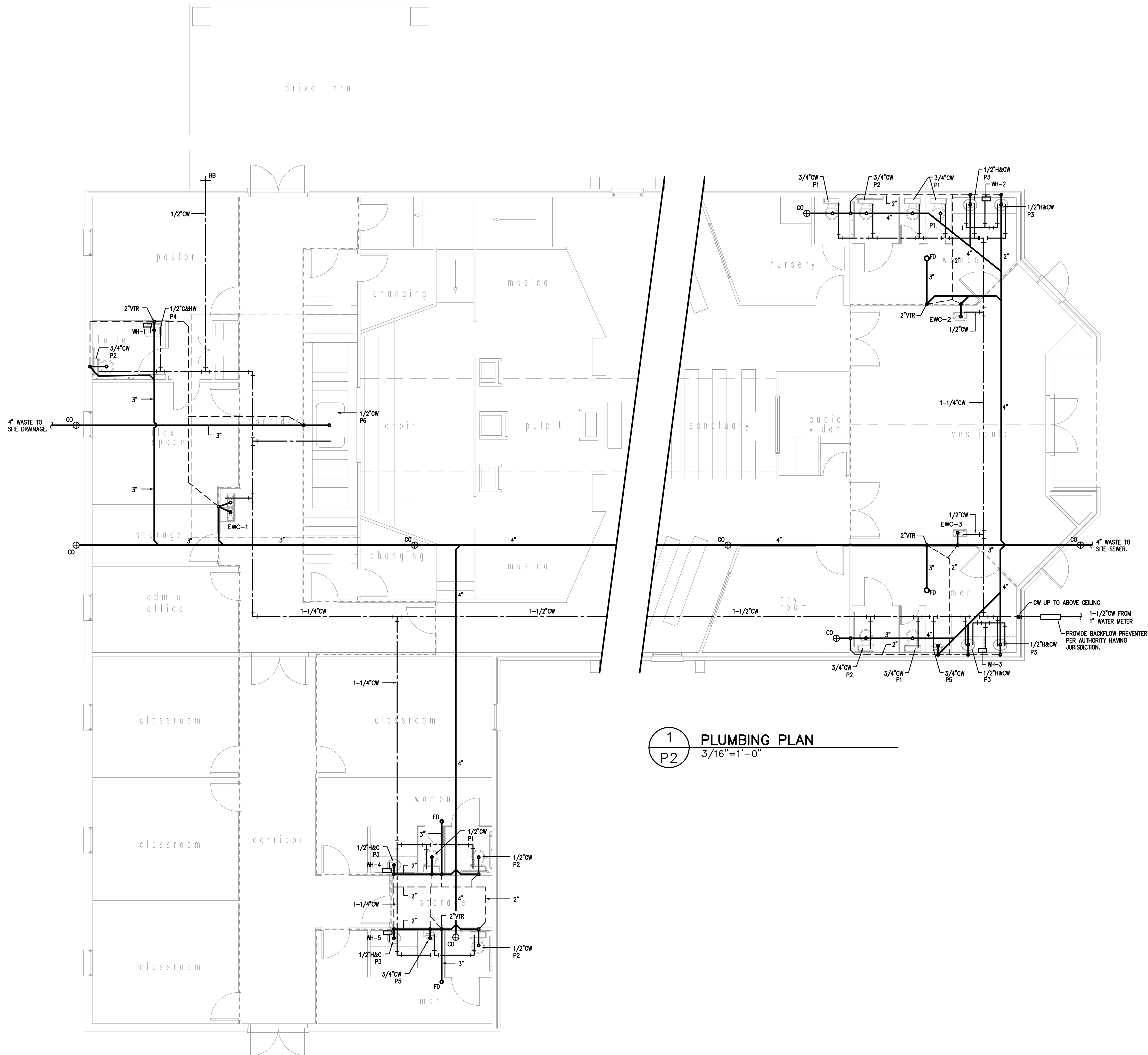
ADA AND LEGAL DISCLAIMER
THIS DOCUMENT IS INTENDED TO COMPLY WITH THE
REQUIREMENTS OF THE AMERICANS WITH DISABILITIES ACT (ADA).
ARCHITECTS AND ENGINEERS ARE NOT LICENSED TO INTERPRET
LAWS OR CIVIC ADVISE CONCERNING LAWS OF LEGAL MATTERS.
THE OWNER SHOULD HAVE THIS DOCUMENT REVIEWED BY HIS
ATTORNEY TO DETERMINE IF IT COMPLIES TO ADA AND OTHER LAWS.

PROJECT NO: 2018-078
DRAWN BY: CSL/MJL
DATE: 06.18.18
REVISIONS:

SHEET NO:

P2

GENERAL PLUMBING SYMBOLS	
	UNION
	PIPE UP
	PIPE DOWN
	POINT OF CONNECTION BETWEEN NEW AND EXISTING WORK
	TEE
	ELBOW
	WALL CLEANOUT
	FLOOR CLEANOUT
	GATE VALVE
	COLD WATER
	HOT WATER
	VENT PIPING
	WASTE PIPING
	ROOF DRAIN PIPING



ALL WORK SHALL BE DONE IN ACCORDANCE WITH THE LATEST EDITION OF THE STATE CODE AS WELL AS ALL LOCAL AND OTHER APPLICABLE CODES.

ALL WORK SHALL BE PERFORMED BY EXPERIENCED AND SKILLED CRAFTSMEN.

WATER LINES BELOW GRADE SHALL BE TYPE "K" COPPER (NO JOINTS BELOW GRADE) AND ABOVE GRADE TYPE "L" COPPER SUPPORTED AS REQUIRED AND SHALL BE HYDROSTATICALLY TESTED FOR TWO HOURS AT 100 PSI. ALL WATER PIPING AT WATER FIXTURES SHALL BE PROVIDED WITH 18" AIR CHAMBERS OR SHOCK ABSORBERS. STOPS SHALL BE PROVIDED ON HOT AND COLD WATER LINES. HOT WATER PIPING SHALL BE INSULATED WITH 1" CLOSED CELL RUBBER. THE ENTIRE WATER SYSTEM SHALL BE DISINFECTED PRIOR TO PLACING IN SERVICE. PVC/PEX MAYBE SUBSTITUTED FOR COPPER.

SANITARY SEWER LINES SHALL BE PVC.

PROVIDE PRESSURE REDUCING VALVE IF STREET WATER EXCEEDS 80 PSI

GAS PIPING WILL BE SCHEDULE 40 BLACK STEEL WITH BLACK MALLEABLE IRON SCREW-TYPE FITTINGS.

THE PLUMBING CONTRACTOR SHALL PROVIDE ALL OPENINGS REQUIRED FOR THE PLUMBING WORK AND SHALL INSTALL FIRE RATED SLEEVES WHEREVER PENETRATIONS OF RATED WALLS OR FLOORS ARE MADE. THE PATCHING SHALL BE BY THE PLUMBING CONTRACTOR. THE PLUMBING CONTRACTOR SHALL REVIEW ALL UTILITY SITE PLANS AND ARCHITECTURAL SITE PLANS FOR WORK BY OTHERS.

LOCATION OF UTILITIES (WASTE AND WATER LINES, MANHOLES ETC.) THAT ARE TO BE CONNECTED TO ARE ASSUMED. IT SHALL BE THE RESPONSIBILITY OF THE PLUMBING CONTRACTOR TO VERIFY THESE LOCATIONS AND MAKE THE FINAL CONNECTION AS REQUIRED.

ALL FLOOR DRAINS SHALL BE PROVIDED WITH TRAP PRIMERS

2 PLUMBING NOTES
N.T.S.