

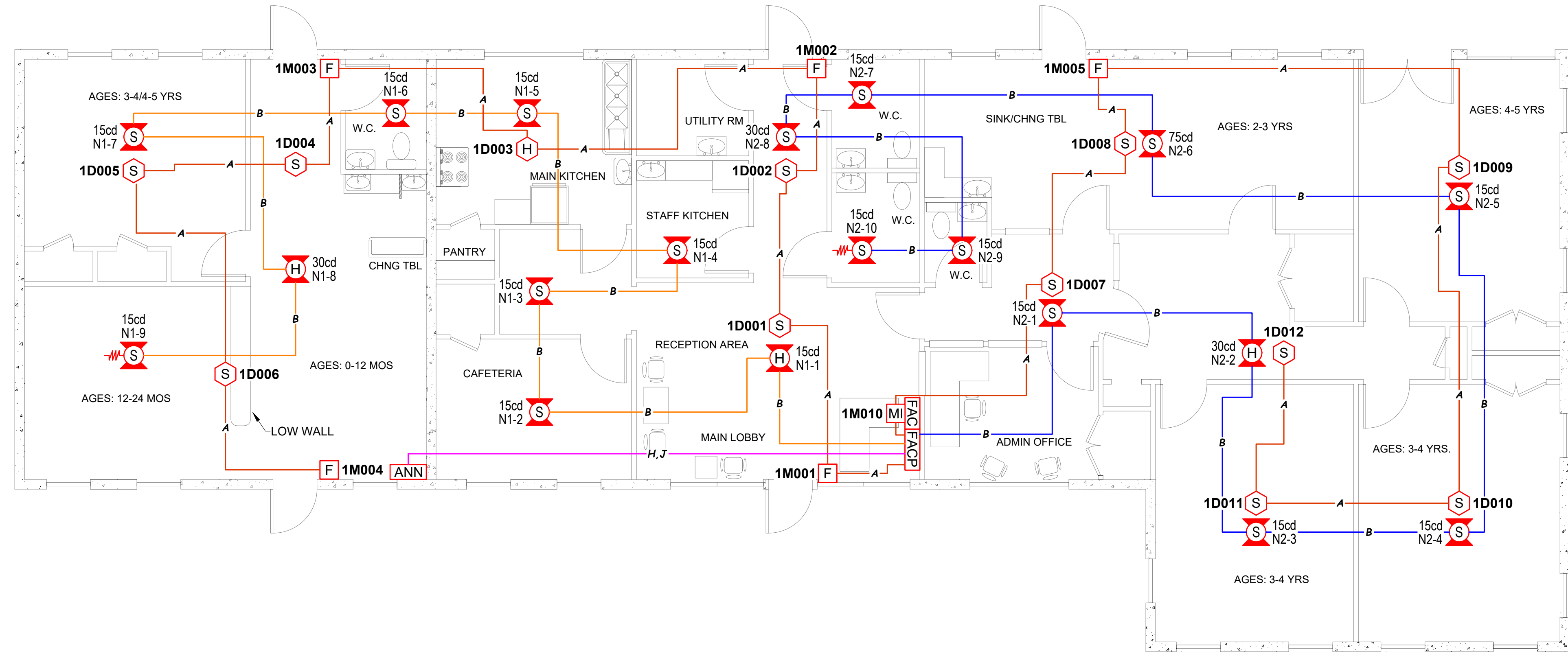
DEVICE LEGEND				
SYMBOL	DEVICE	PART NUMBER	BACK BOX	QTY.
FACP	FIRE ALARM CONTROL PANEL W/DACT & BATTERIES	NFW2-100	N/A	1
ANN	LCD REMOTE ANNUNCIATOR	FDU-80	(3) SINGLE GANG, 2-1/2" DEEP	1
FAC	FIRE ALARM CELLULAR COMMUNICATOR	SLE-CDMA-FIRE	N/A	1
S	PHOTOELECTRIC SMOKE SENSOR	NP-100	4" OCTAGON, 1-1/2" DEEP	11
H	135F THERMAL HEAT SENSOR W/RATE OF RISE	NH-100R	4" OCTAGON, 1-1/2" DEEP	1
F	MANUAL PULL STATION	NOT-BG12LX	SINGLE GANG, 1-1/2" DEEP	5
MI	MINI-MONITOR MODULE	MMM-100P	N/A	1
H	HORN STROBE, CEILING MOUNT, RED	PC2RL	4" SQUARE, 1-1/2" DEEP	3
S	STROBE, CEILING MOUNT, RED	SCRL	4" SQUARE, 1-1/2" DEEP	16
DVSS	120VAC PANEL SURGE PROTECTOR	DTK-120HW	N/A	1
-W-	DENOTES END-OF-LINE RESISTOR	N/A	N/A	N/A

FIRE ALARM NOTES

- REFER TO FLOOR PLANS FOR DEVICE TYPE AND LOCATION.
- ALL VISIBLE NOTIFICATION APPLIANCES SHALL BE SYNCHRONIZED PER NFPA 72.
- LABEL ALL DEVICES WITH ADDRESSES.
- LABEL ALL END-OF-LINE DEVICES WITH EOL ON DEVICE.
- ALL CABLE TO BE FREE OF SHORTS, GROUNDS, AND OPENS.
- THE OPERABLE PART OF A MANUAL STATION SHALL BE INSTALLED SO THAT THE PULL LEVER IS BETWEEN 42" AND 48" ABOVE THE FINISHED FLOOR.
- SEE DEVICE MOUNTING HEIGHTS DETAIL FOR ADDITIONAL DEVICE INSTALLATION INFORMATION.
- ALL CIRCUITS TO BE INSTALLED IN CLASS 'B' STYLE.

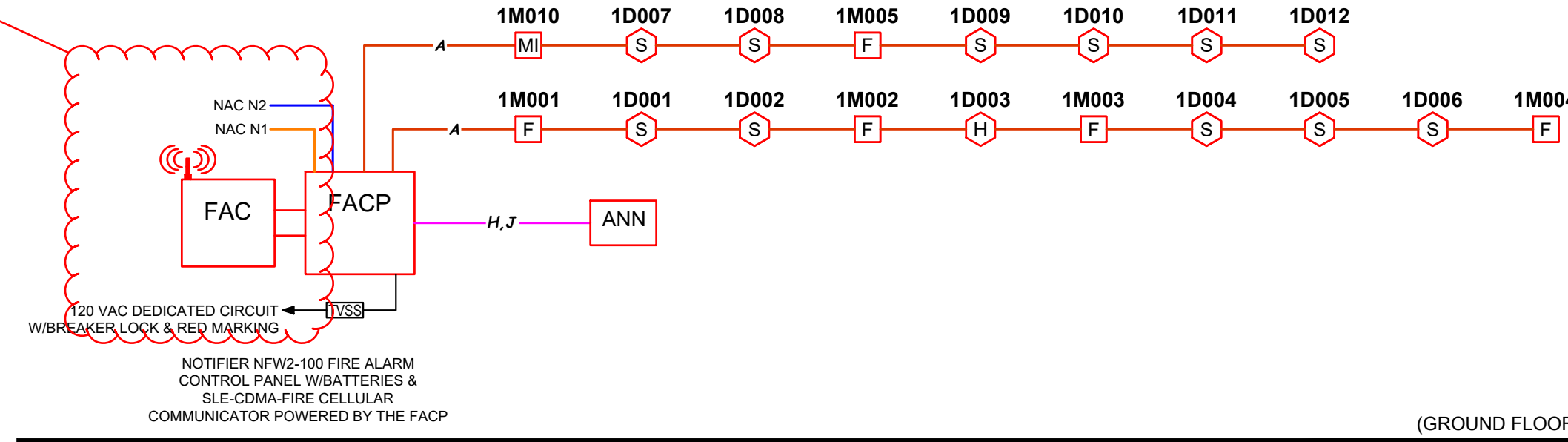
WIRE LEGEND

SYMBOL	DESCRIPTION	WIRE TYPE/SIZE	COLOR
A	SIGNALING LINE CIRCUIT	16/2 FPLP TWISTED PAIR, NO SHIELD	RED JACKET, RED (+), BLACK (-)
B	NOTIFICATION APPLIANCE CIRCUIT	14/2 FPLP STRANDED-FREE AIR	RED JACKET, RED (+), BLACK (-) BLUE (+), BLACK (-)
H	REMOTE ANNUNCIATOR CIRCUIT	16/2 FPLP TWISTED PAIR, W/SHIELD	RED JACKET, RED (+), BLACK (-)
J	24 VDC POWER	14/2 FPLP STRANDED	RED JACKET, RED (+), BLACK (-)



1 FIRE ALARM PLAN
FA-1 Scale: 3/16"=1'-0"

PER NFPA 72, CELLULAR IS NOT ALLOWED AS A PRIMARY COMMUNICATIONS MEANS; ONLY SECONDARY

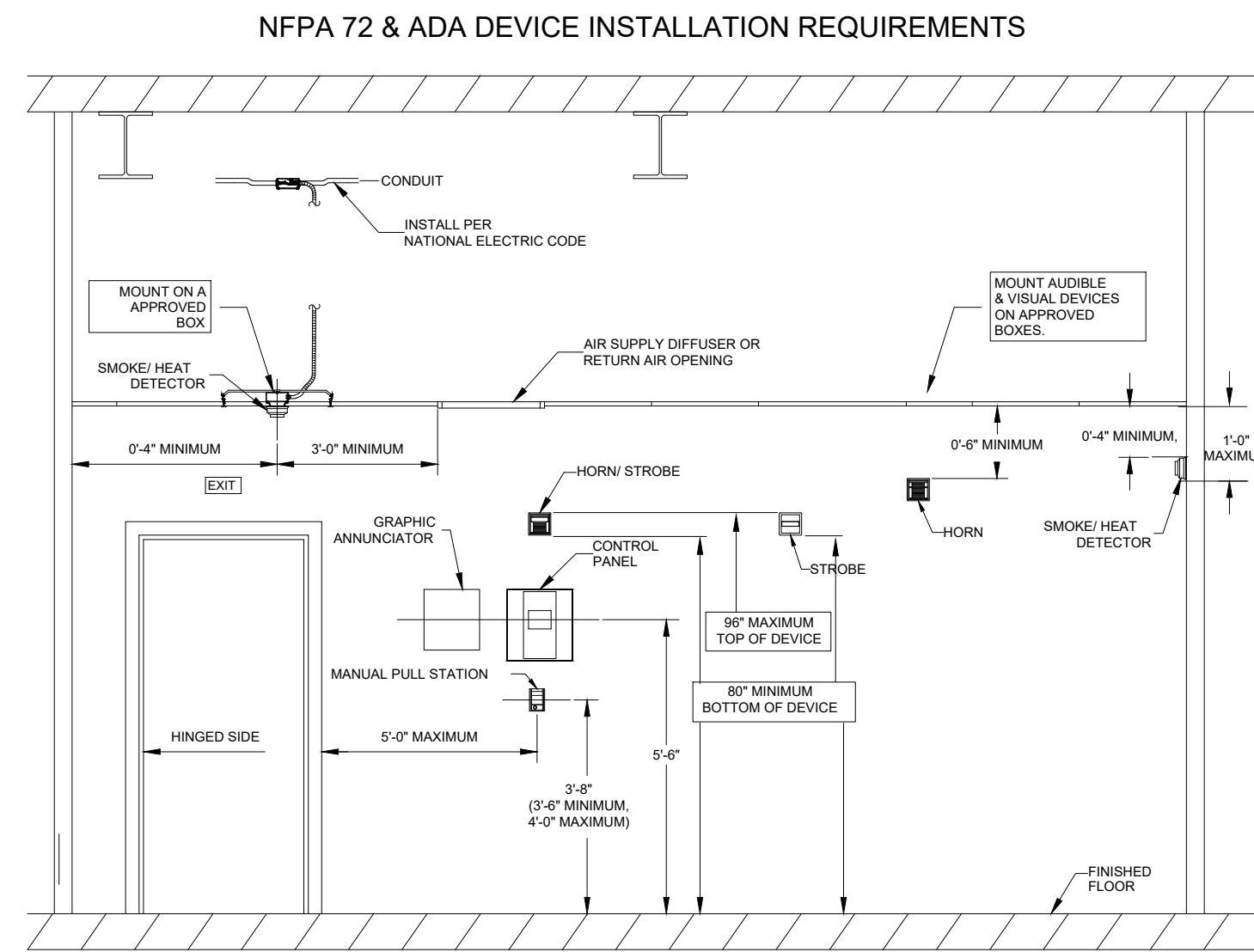


(GROUND FLOOR)

2 FIRE ALARM RISER
FA-1 Scale: None

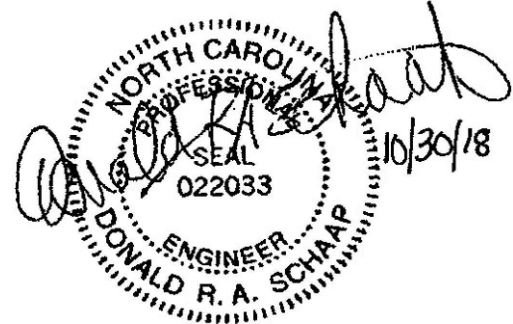
SYSTEM INPUTS	BUILDING SYSTEM OUTPUTS	CENTRAL COMMUNICATOR
MANUAL PULL STATION	● ● ● ● ● ● ● ●	● ● ● ● ● ● ● ●
SMOKE DETECTOR	● ● ● ● ● ● ● ●	● ● ● ● ● ● ● ●
HEAT DETECTOR	● ● ● ● ● ● ● ●	● ● ● ● ● ● ● ●
FIRE ALARM AC POWER FAILURE	● ● ● ● ● ● ● ●	● ● ● ● ● ● ● ●
FIRE ALARM SYSTEM LOW BATTERY	● ● ● ● ● ● ● ●	● ● ● ● ● ● ● ●
OPEN CIRCUIT	● ● ● ● ● ● ● ●	● ● ● ● ● ● ● ●
GROUND FAULT	● ● ● ● ● ● ● ●	● ● ● ● ● ● ● ●
NOTIFICATION APPLIANCE CIRCUIT SHORT	● ● ● ● ● ● ● ●	● ● ● ● ● ● ● ●
	ACTIVATE COMMUNICATOR SIGNAL INDICATOR	TRANSMIT SUPERVISORY SIGNAL TO CENTRAL STATION
	ACTIVATE AUDIBLE ALARM SIGNAL	TRANSMIT SUPERVISORY SIGNAL TO CENTRAL STATION
	ACTIVATE AUDIBLE SUPERVISORY SIGNAL	TRANSMIT SUPERVISORY SIGNAL TO CENTRAL STATION
	ACTIVATE SUPERVISORY SIGNAL	TRANSMIT SUPERVISORY SIGNAL TO CENTRAL STATION
	ACTIVATE SUPERVISORY SIGNAL	TRANSMIT SUPERVISORY SIGNAL TO CENTRAL STATION
	ACTIVATE SUPERVISORY SIGNAL	TRANSMIT SUPERVISORY SIGNAL TO CENTRAL STATION
	ACTIVATE SUPERVISORY SIGNAL	TRANSMIT SUPERVISORY SIGNAL TO CENTRAL STATION
	ACTIVATE SUPERVISORY SIGNAL	TRANSMIT SUPERVISORY SIGNAL TO CENTRAL STATION
	ACTIVATE SUPERVISORY SIGNAL	TRANSMIT SUPERVISORY SIGNAL TO CENTRAL STATION
	ACTIVATE SUPERVISORY SIGNAL	TRANSMIT SUPERVISORY SIGNAL TO CENTRAL STATION
	ACTIVATE SUPERVISORY SIGNAL	TRANSMIT SUPERVISORY SIGNAL TO CENTRAL STATION
	ACTIVATE SUPERVISORY SIGNAL	TRANSMIT SUPERVISORY SIGNAL TO CENTRAL STATION
	ACTIVATE SUPERVISORY SIGNAL	TRANSMIT SUPERVISORY SIGNAL TO CENTRAL STATION
	ACTIVATE SUPERVISORY SIGNAL	TRANSMIT SUPERVISORY SIGNAL TO CENTRAL STATION
	ACTIVATE SUPERVISORY SIGNAL	TRANSMIT SUPERVISORY SIGNAL TO CENTRAL STATION
	ACTIVATE SUPERVISORY SIGNAL	TRANSMIT SUPERVISORY SIGNAL TO CENTRAL STATION
	ACTIVATE SUPERVISORY SIGNAL	TRANSMIT SUPERVISORY SIGNAL TO CENTRAL STATION
	ACTIVATE SUPERVISORY SIGNAL	TRANSMIT SUPERVISORY SIGNAL TO CENTRAL STATION

3 FIRE ALARM MATRIX
FA-1 Scale: None



4 DEVICE MOUNTING HEIGHTS
FA-1 Scale: None

Reviewed For Code Compliance By:
D. Banks Wallace
Chief Deputy Fire Marshal
11/08/2018 2:29:35 PM



NC LICENSE # 30023-SP-FA/LV

BY
REVISION
DATE
NO.

PATTERSON GROUP SERVICES, INC.
229 CARRIAGE STREET
SANFORD, NC 27330
PHONE 919-776-2403 FAX 919-776-6091

FIRE ALARM SYSTEM FOR:
TREE OF KNOWLEDGE DAYCARE CENTER
622 BUFFALO LAKE ROAD
SANFORD, NORTH CAROLINA 27332

FIRE ALARM SYSTEM
SYMBOL LEGEND
FIRE ALARM NOTES
WIRE LEGEND
FIRE ALARM PLAN
FIRE ALARM RISER
FIRE ALARM MATRIX
MOUNTING HEIGHTS

DATE:	10/30/2018
DRAWN BY:	JRC
CHECKED BY:	GSP
SCALE:	3/16"=1'-0"

SHEET:
FA-1 of 1